



US00D724912S

(12) **United States Design Patent**
Martone

(10) **Patent No.:** **US D724,912 S**
(45) **Date of Patent:** **** Mar. 24, 2015**

(54) **WRENCH**

(56) **References Cited**

(71) Applicant: **Stanley Black & Decker, Inc.**, New Britain, CT (US)

U.S. PATENT DOCUMENTS

(72) Inventor: **Joseph R. Martone**, Bristol, CT (US)

7,047,844 B1 * 5/2006 Macor 81/124.4
D654,337 S * 2/2012 Huang D8/25
D657,215 S * 4/2012 Kriz et al. D8/25

(73) Assignee: **Black & Decker Inc.**, Newark, DE (US)

* cited by examiner

(**) Term: **14 Years**

Primary Examiner — Randall Gholson

(21) Appl. No.: **29/457,059**

(74) *Attorney, Agent, or Firm* — Gabriel A. Haboubi

(22) Filed: **Jun. 6, 2013**

(57) **CLAIM**

The ornamental design for a wrench, as shown and described.

(51) **LOC (10) Cl.** **08-05**

DESCRIPTION

(52) **U.S. Cl.**
USPC **D8/22**

FIG. 1 is a left/rear perspective view of my new design for a wrench.

(58) **Field of Classification Search**
USPC D8/17, 21–29, 354, 107; 81/60, 177.1,
81/177.85, 121.1, 124.3, 165–170, 110.1,
81/176.2, 124.6, 176.1, 176.15, 177.2,
81/186; 16/110.1; D15/144.1, 143;
219/75, 227, 229, 121.16, 121.18

FIG. 2 is a rear view thereof.

FIG. 3 is a front view thereof.

FIG. 4 is a left side view thereof.

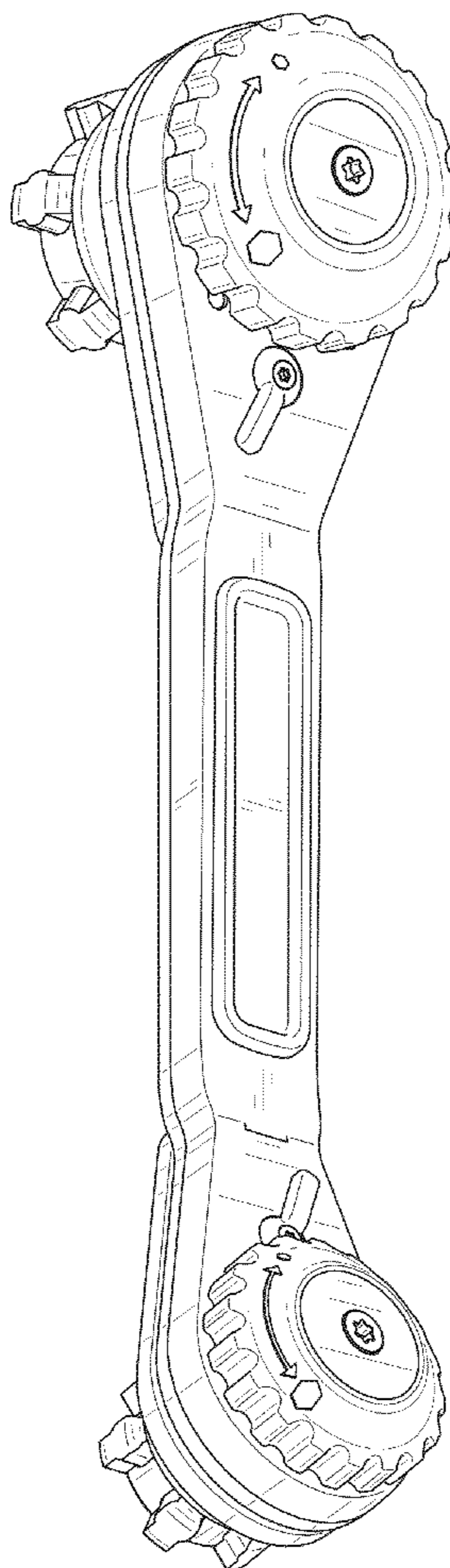
FIG. 5 is a right side view thereof.

FIG. 6 is a top view thereof; and,

FIG. 7 is a bottom view thereof.

See application file for complete search history.

1 Claim, 4 Drawing Sheets



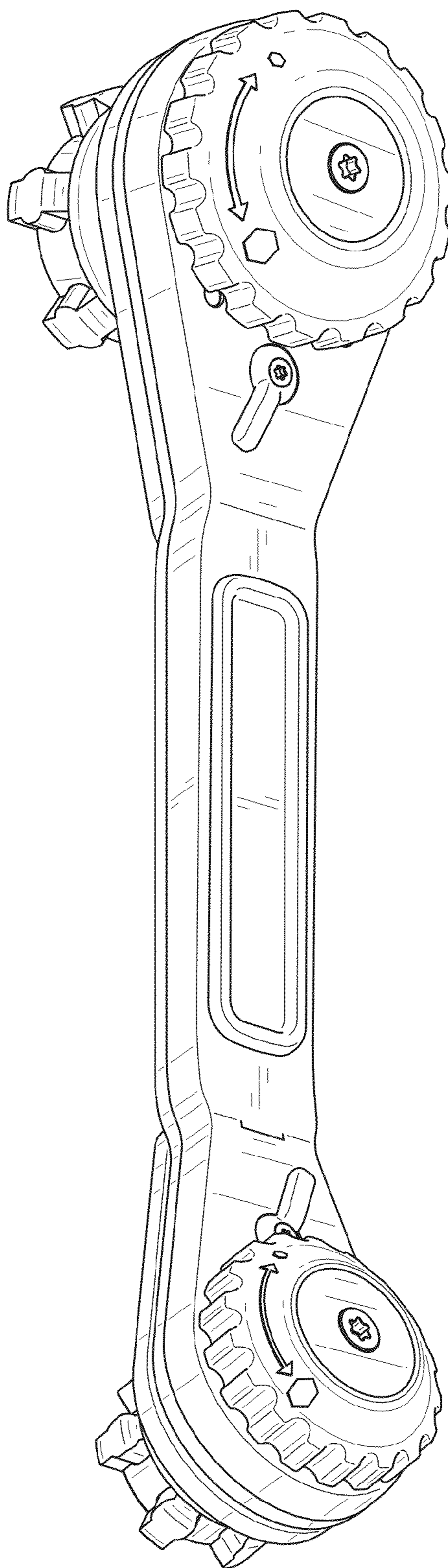


FIG. 1

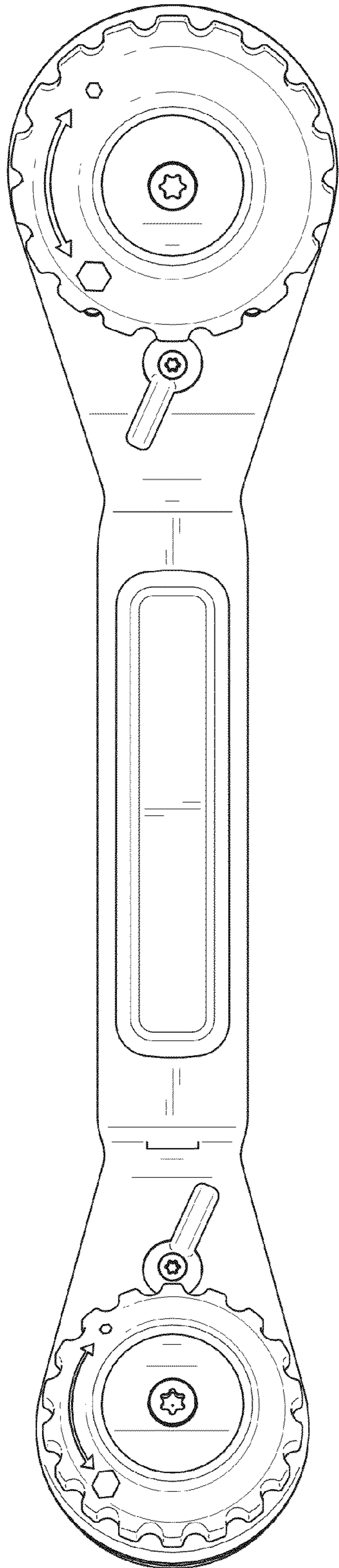


FIG. 2

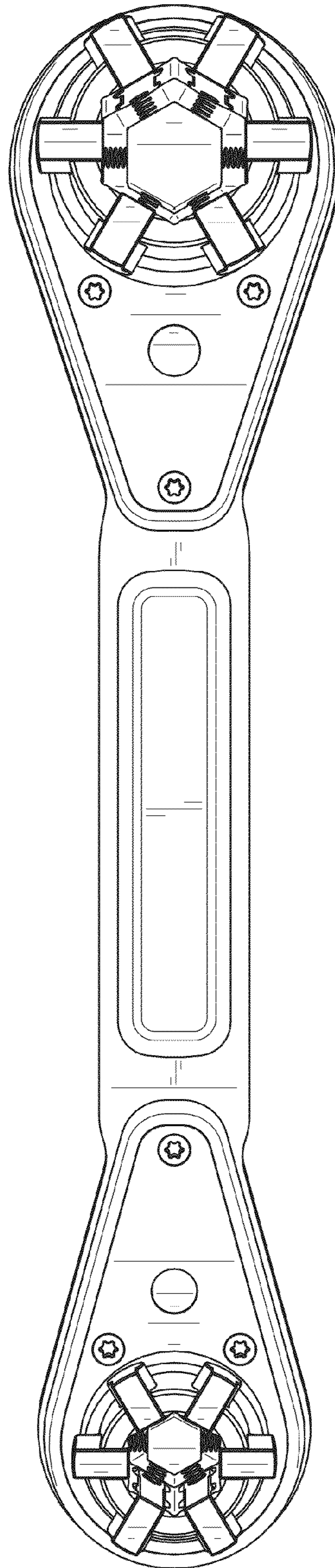


FIG. 3

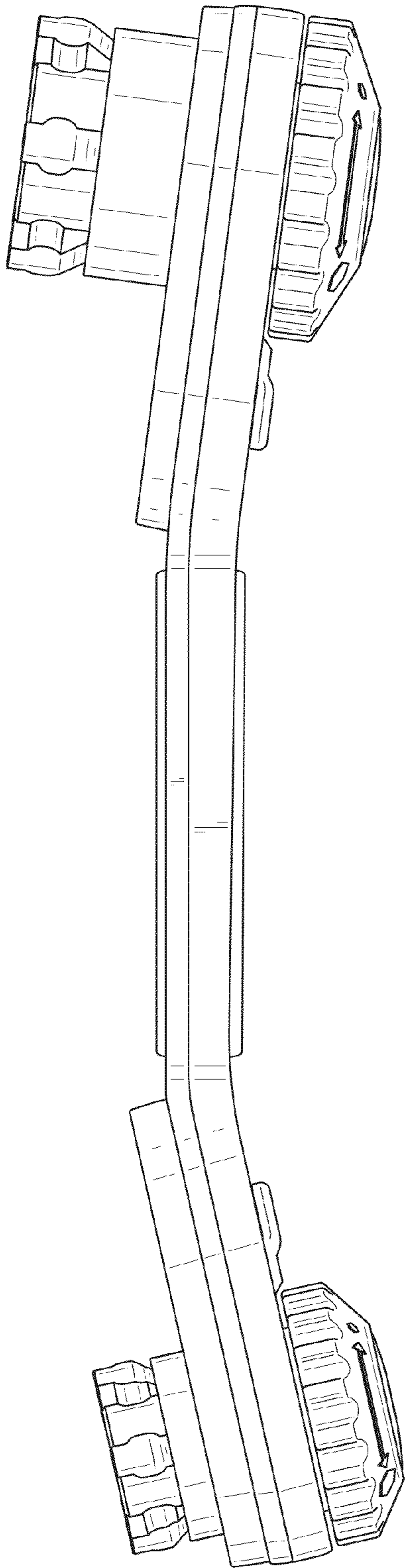


FIG. 4

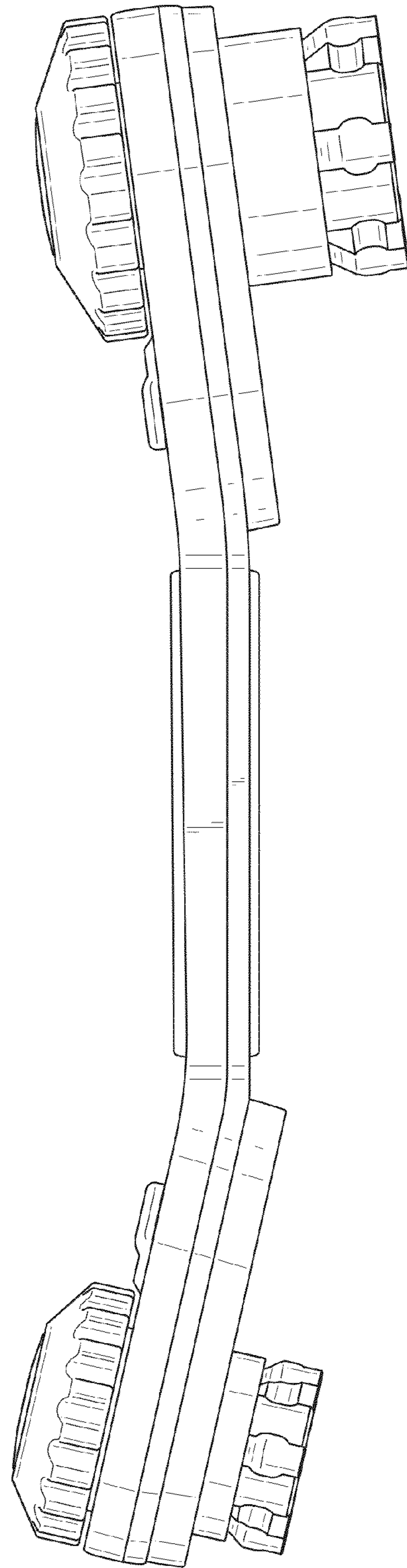


FIG. 5

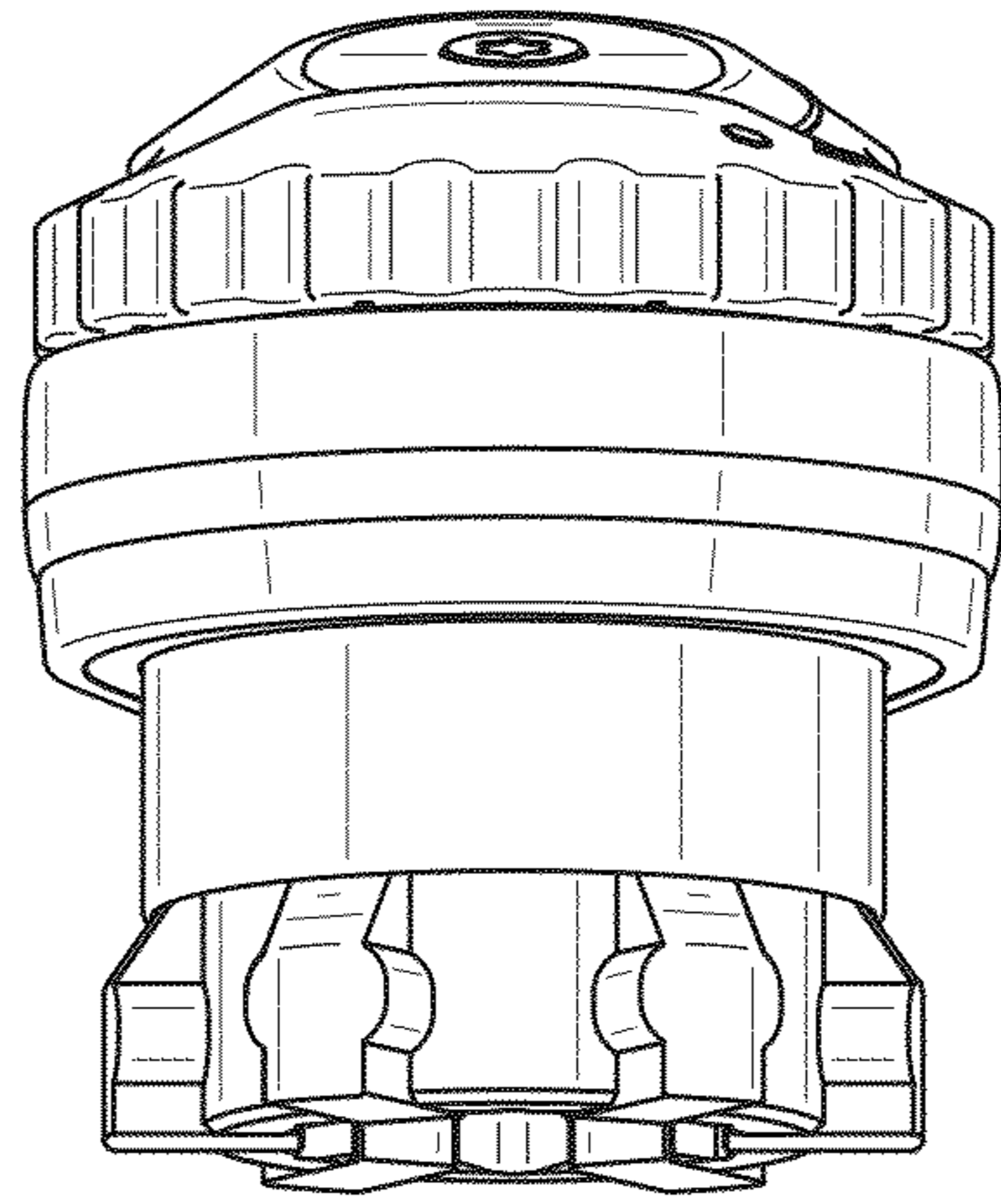


FIG. 6

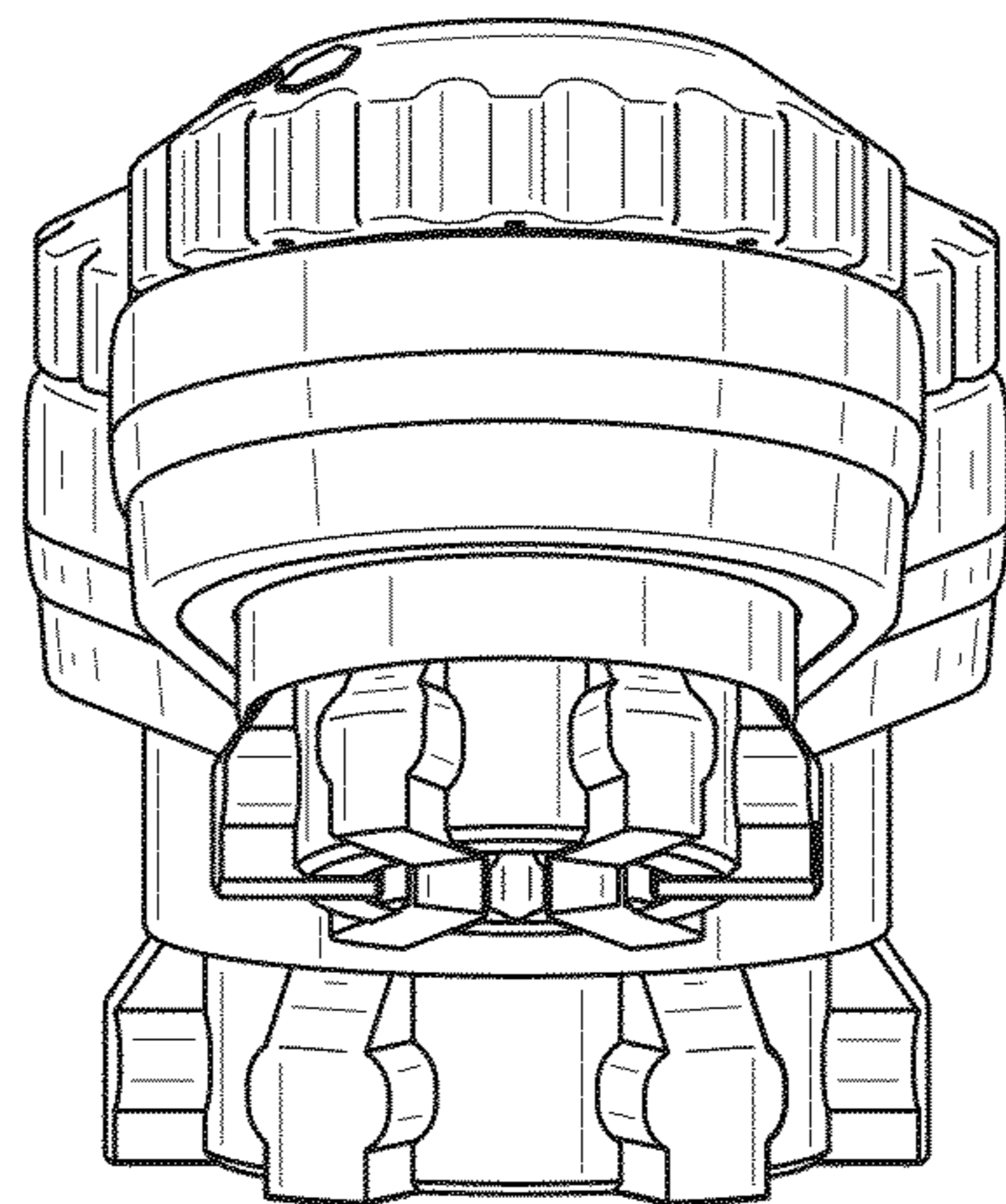


FIG. 7