



US00D724909S

(12) **United States Design Patent**  
**Davis**

(10) **Patent No.:** **US D724,909 S**  
(45) **Date of Patent:** **\*\* Mar. 24, 2015**

(54) **MATERIAL MANIPULATION TOOL**

(71) Applicant: **Philip Davis**, Woodmere, OH (US)

(72) Inventor: **Philip Davis**, Woodmere, OH (US)

(73) Assignee: **Philip Davis**, Woodmere, OH (US)

(\*\*) Term: **14 Years**

(21) Appl. No.: **29/484,082**

(22) Filed: **Mar. 5, 2014**

(51) **LOC (10) Cl.** ..... **08-01**

(52) **U.S. Cl.**  
USPC ..... **D8/10**

(58) **Field of Classification Search**  
CPC ..... E01H 5/02; A01B 1/02; A01B 1/04;  
A01B 1/20  
USPC ..... D8/1, 10, 11; 294/49, 51, 54.5, 56, 59,  
294/181; 172/371-372  
See application file for complete search history.

(56) **References Cited**

**U.S. PATENT DOCUMENTS**

1,659,944	A *	2/1928	Dome	172/381
3,369,835	A *	2/1968	Marino	294/54.5
D307,378	S *	4/1990	D'Alessandro	D8/10
D345,640	S *	3/1994	Galati	D32/49
D392,522	S *	3/1998	Kenyon	D8/10
D405,666	S *	2/1999	Whitehead et al.	D8/13
D409,885	S *	5/1999	McKenzie	D8/10
D553,921	S *	10/2007	Melady	D8/10
D586,192	S *	2/2009	Chesness	D8/10

D598,256	S *	8/2009	Chesness	D8/10
D602,318	S *	10/2009	Chesness	D8/10
7,654,591	B2 *	2/2010	Marble	294/51
D626,803	S *	11/2010	Coutu	D8/10
D632,532	S *	2/2011	Coutu	D8/10
8,070,198	B2 *	12/2011	Burke	294/58
D670,548	S *	11/2012	Coutu	D8/10

\* cited by examiner

*Primary Examiner* — Sheryl Lane

(74) *Attorney, Agent, or Firm* — Benesch, Friedlander, Coplan & Aronoff, LLP; Thomas Y. Kendrick; Christopher H. Bond

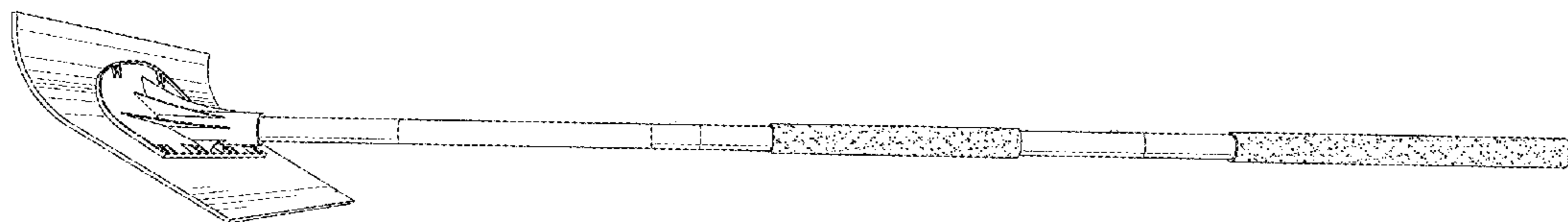
(57) **CLAIM**

The ornamental design for a material manipulation tool, as shown and described.

**DESCRIPTION**

FIG. 1 is a front/top perspective view of a material manipulation tool;  
FIG. 2 is a front/bottom perspective view thereof;  
FIG. 3 is a top plan view thereof, with the handle separated into multiple components and disconnected from the blade;  
FIG. 4 is a right side elevation view thereof;  
FIG. 5 is a left side elevation view thereof;  
FIG. 6 is top perspective view thereof;  
FIG. 7 is a bottom perspective view thereof;  
FIG. 8 is a top perspective view thereof, with the handle separated into multiple components and disconnected from the blade; and,  
FIG. 9 is a rear elevation view thereof.

**1 Claim, 9 Drawing Sheets**



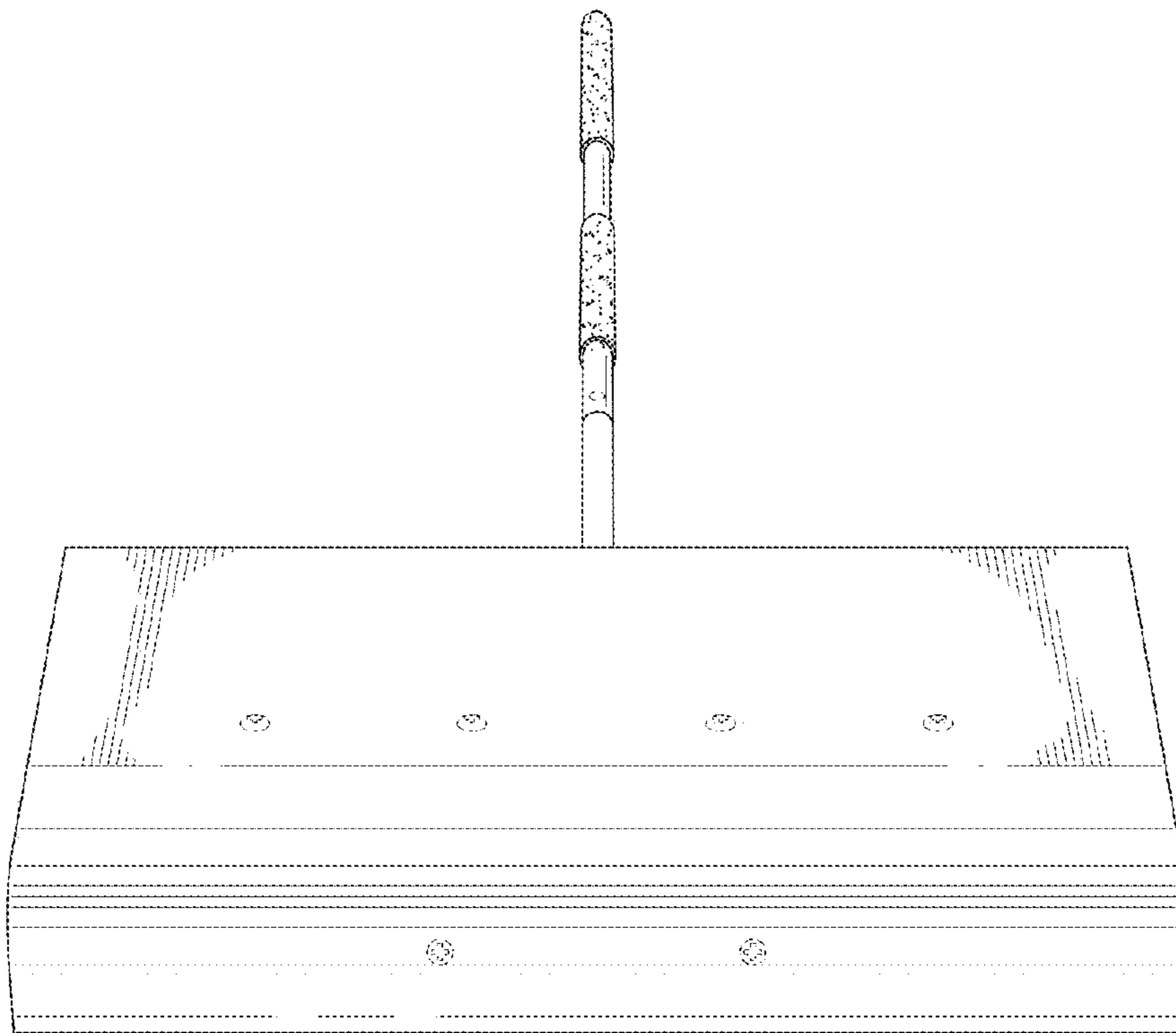


FIG. 1

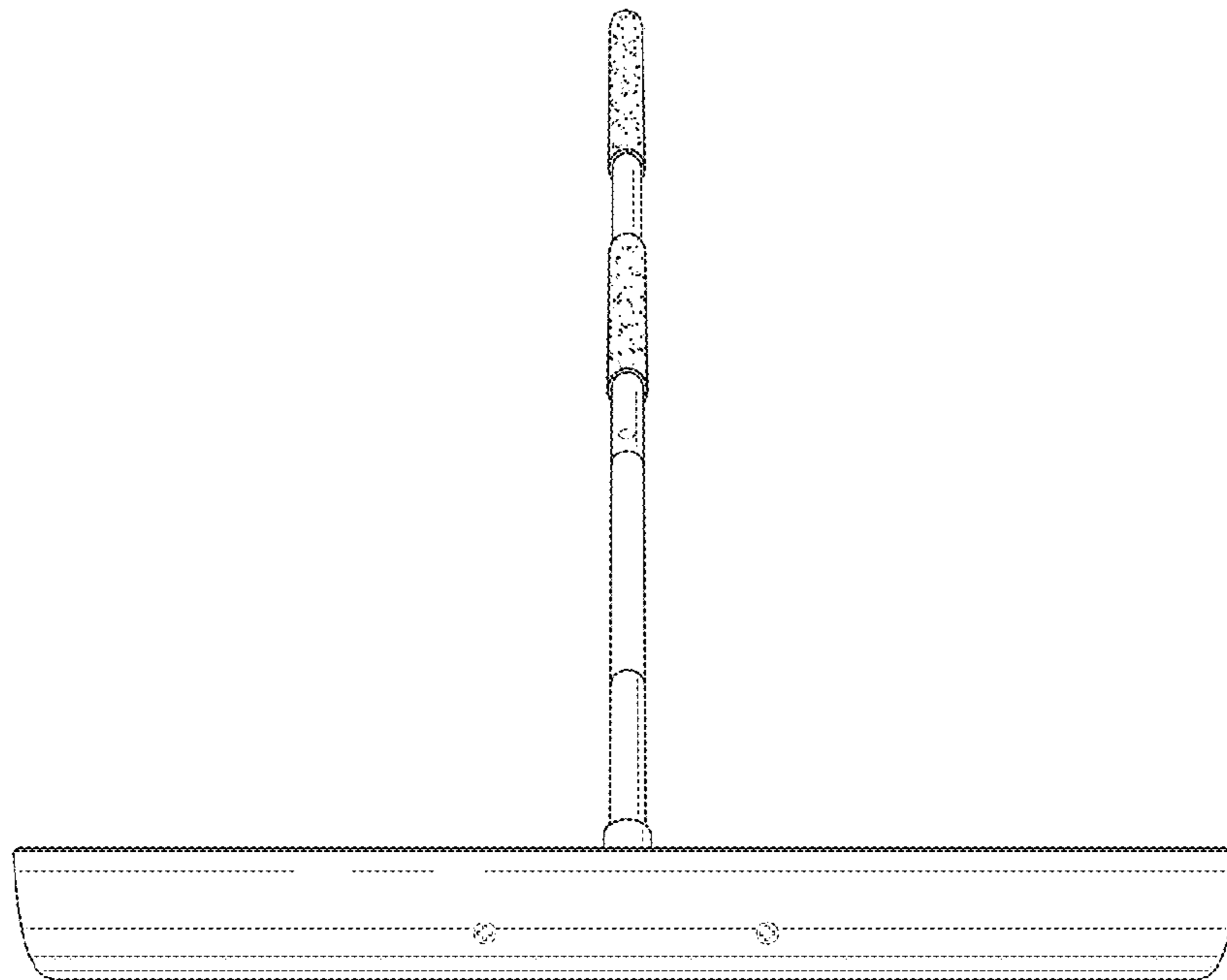


FIG.2

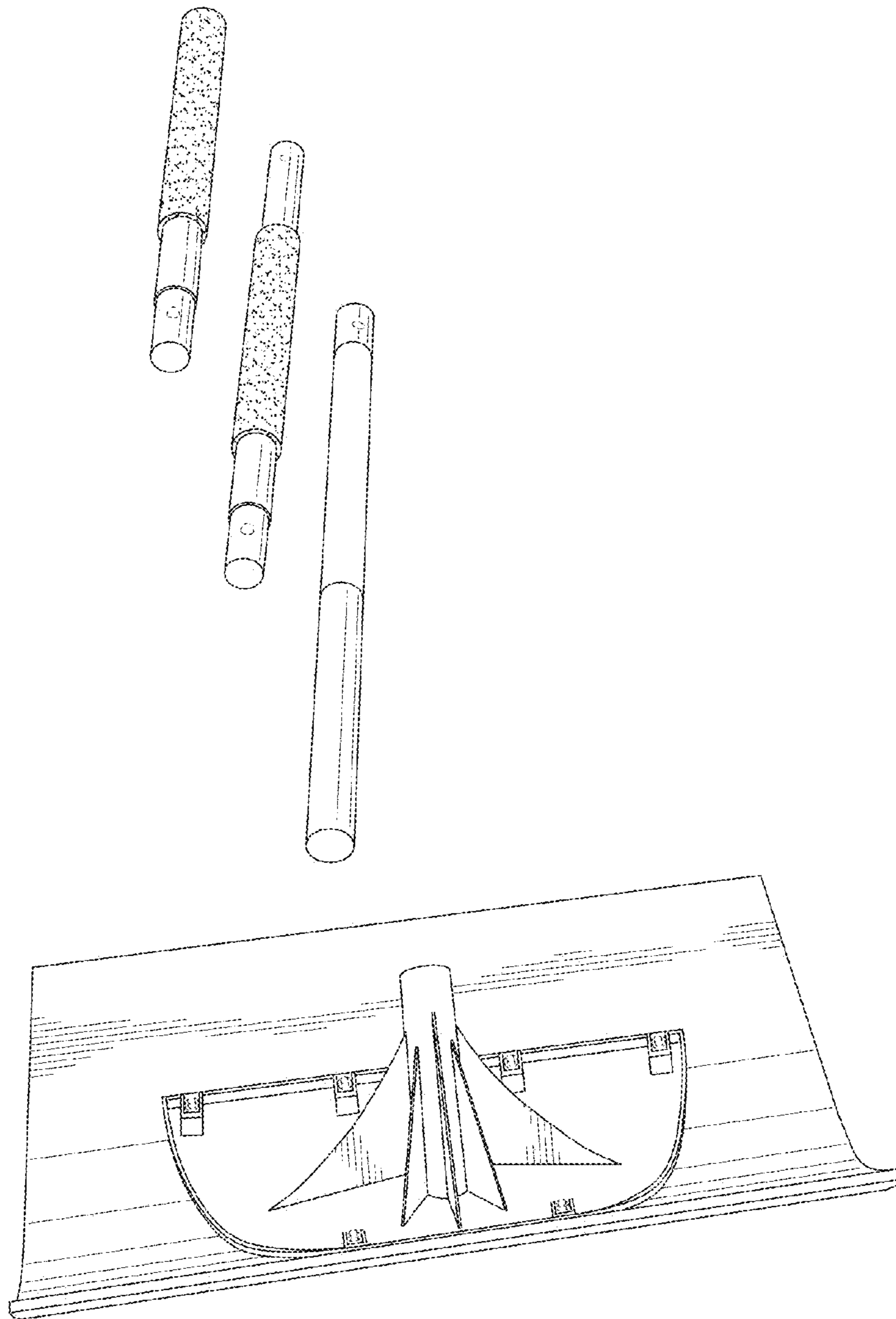


FIG.3

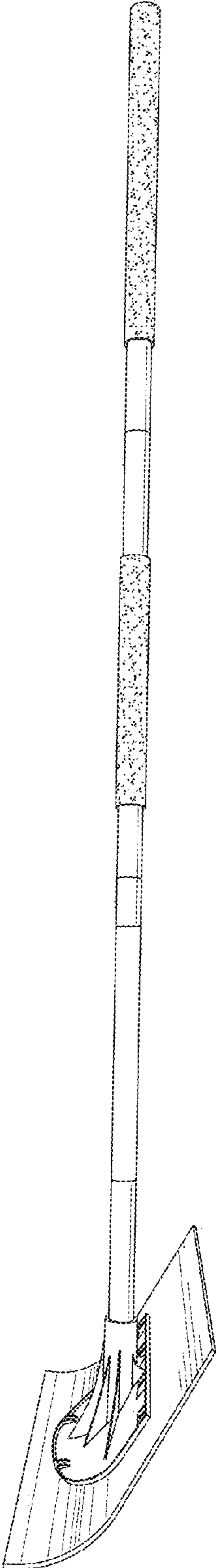


FIG.4

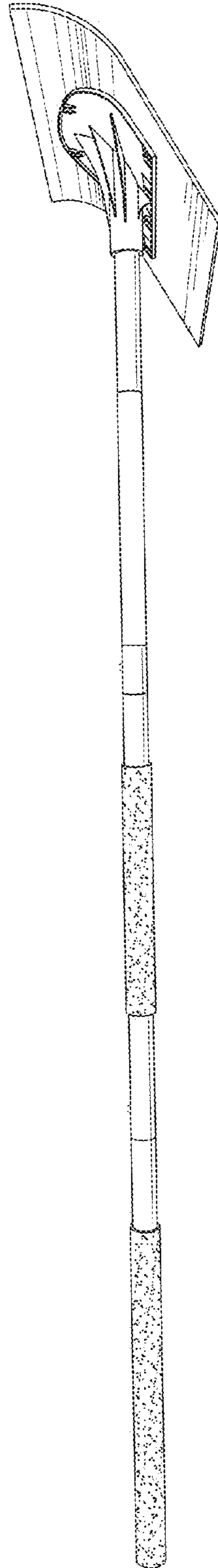


FIG. 5

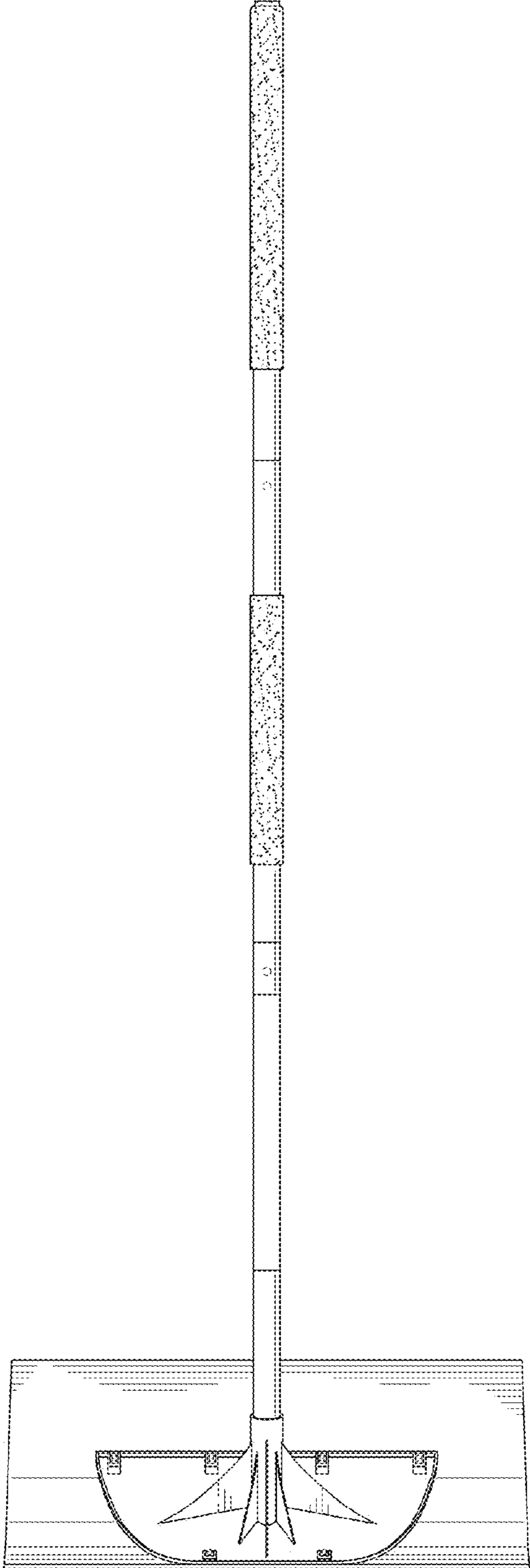


FIG. 6

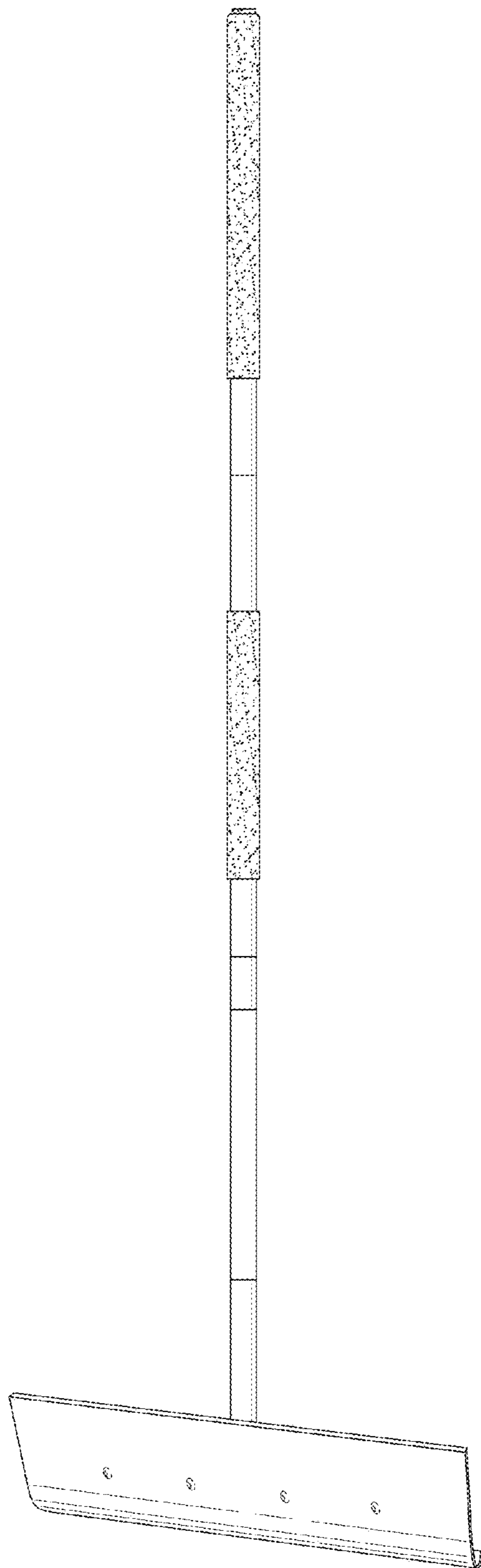


FIG. 7



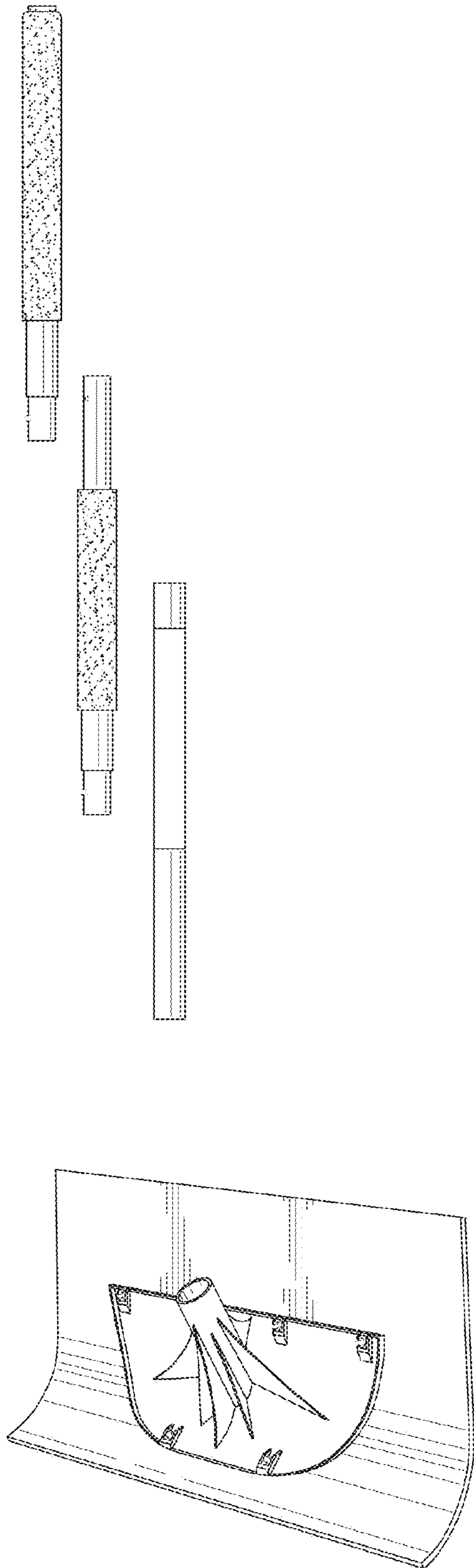


FIG. 8

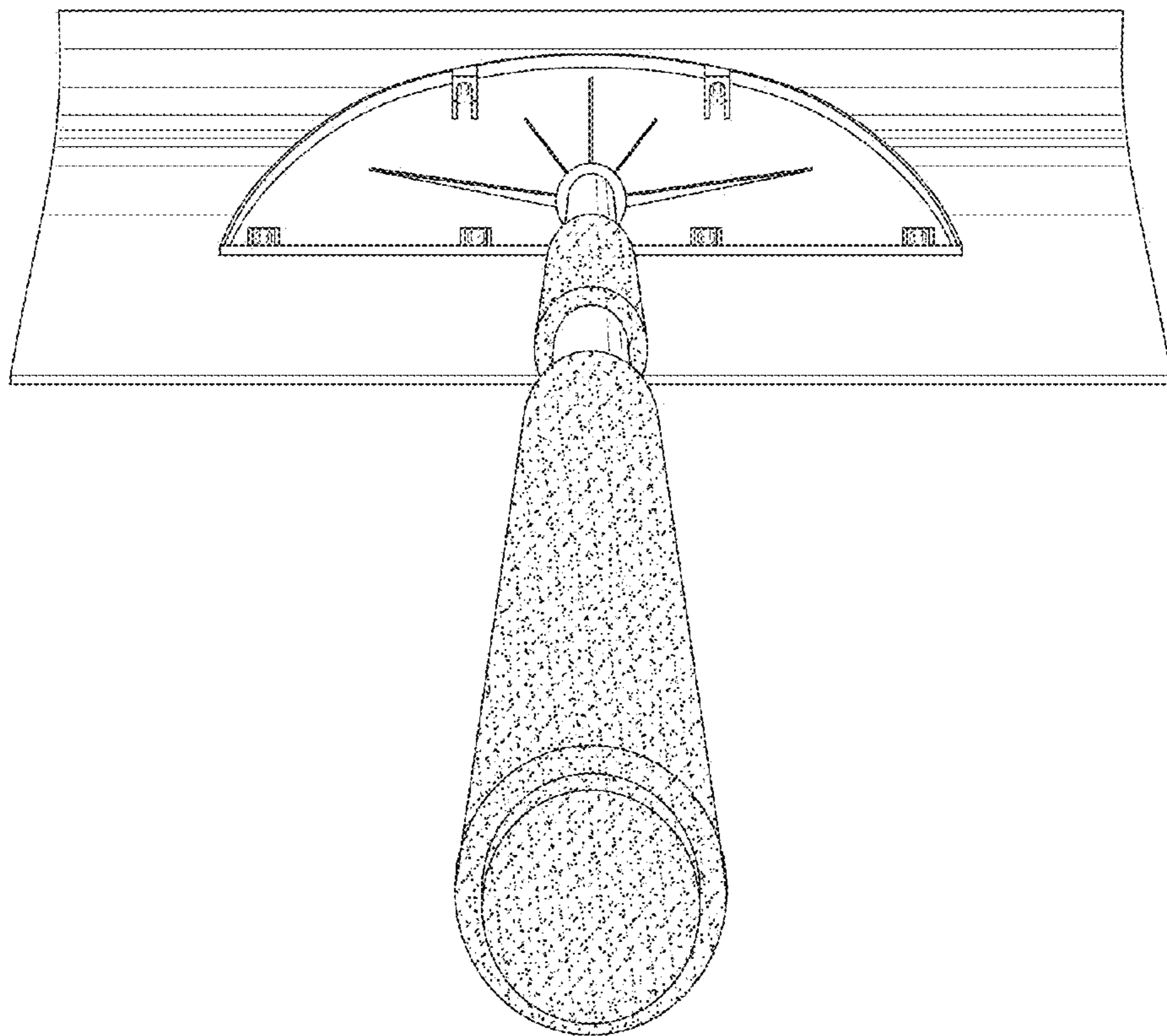


FIG. 9