

US00D724906S

(12) **United States Design Patent**  
**Kent**

(10) **Patent No.:** **US D724,906 S**  
(45) **Date of Patent:** **\*\* Mar. 24, 2015**

- (54) **CANNING FUNNEL**
- (71) Applicant: **Progressive International Corporation,**  
Kent, WA (US)
- (72) Inventor: **Joseph Kent,** Seattle, WA (US)
- (73) Assignee: **Progressive International Corporation,**  
Kent, WA (US)
- (\*\*) Term: **14 Years**
- (21) Appl. No.: **29/480,693**
- (22) Filed: **Jan. 28, 2014**
- (51) **LOC (10) Cl.** ..... **07-99**
- (52) **U.S. Cl.**  
USPC ..... **D7/700**
- (58) **Field of Classification Search**  
CPC ..... A47J 31/0642; B67C 11/00; B67C 11/02;  
B65B 39/00; B65B 39/007  
USPC ..... D7/669, 400, 700, 533, 536; 99/323;  
D23/200; D15/150-152; 141/95, 98,  
141/297-300, 319-321, 331-345  
See application file for complete search history.

2,767,744 A	12/1954	Beerman	
3,982,570 A *	9/1976	Devoe .....	141/95
4,108,220 A	8/1978	Pantek	
D250,804 S	1/1979	Nilsson	
4,334,557 A *	6/1982	YaSenka .....	141/98
4,804,026 A	2/1989	Bailey	
4,976,297 A	12/1990	Peckels	
5,762,120 A *	6/1998	Smith .....	141/340
D404,617 S *	1/1999	Mick et al. ....	D7/700
5,871,037 A	2/1999	Feldt	
5,927,353 A	7/1999	Persson et al.	
6,035,907 A	3/2000	DeCoster	
6,539,991 B1	4/2003	Ackerman	
D589,764 S	4/2009	Randolph	
D669,751 S *	10/2012	Kent .....	D7/700
8,393,361 B2	3/2013	Luchinger et al.	
2011/0308667 A1	12/2011	Gallegos	

\* cited by examiner

*Primary Examiner* — Terry Wallace

(74) *Attorney, Agent, or Firm* — Lowe Graham Jones PLLC

(57) **CLAIM**

I claim the ornamental design for the canning funnel, as shown and described.

**DESCRIPTION**

FIG. 1 is a perspective view of a canning funnel, showing my new design.

FIG. 2 is a front view of the canning funnel.

FIG. 3 is a right side view of the canning funnel, the left side view being a mirror image.

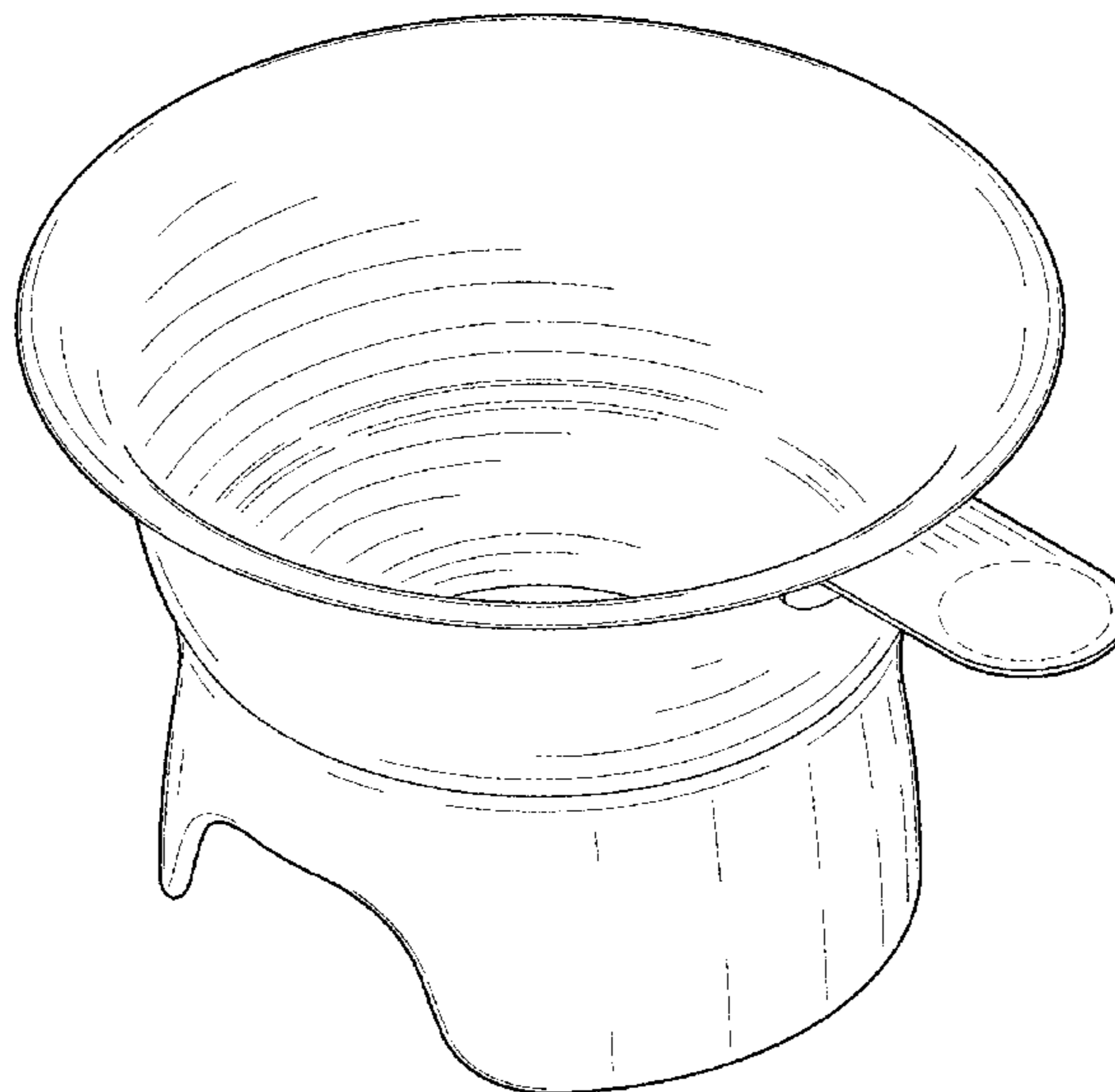
FIG. 4 is a back view of the canning funnel; and,

FIG. 5 is a top view of the canning funnel.

The bottom view not visible in the drawings is unornamented and forms no part of the claimed invention. Features illustrated in broken lines form no part of the claimed invention.

**1 Claim, 5 Drawing Sheets**

- (56) **References Cited**  
U.S. PATENT DOCUMENTS
- 100,851 A 3/1870 Brundage et al.
- 160,017 A 2/1875 Hoagland
- 194,887 A 9/1877 Berg
- 298,504 A 5/1884 Robinson
- 299,513 A 6/1884 Bolton
- 475,874 A 5/1892 Leggett
- 585,172 A 6/1897 Ashbaugh et al.
- 790,463 A 5/1905 Taliaferro
- 2,703,670 A 3/1952 Voight



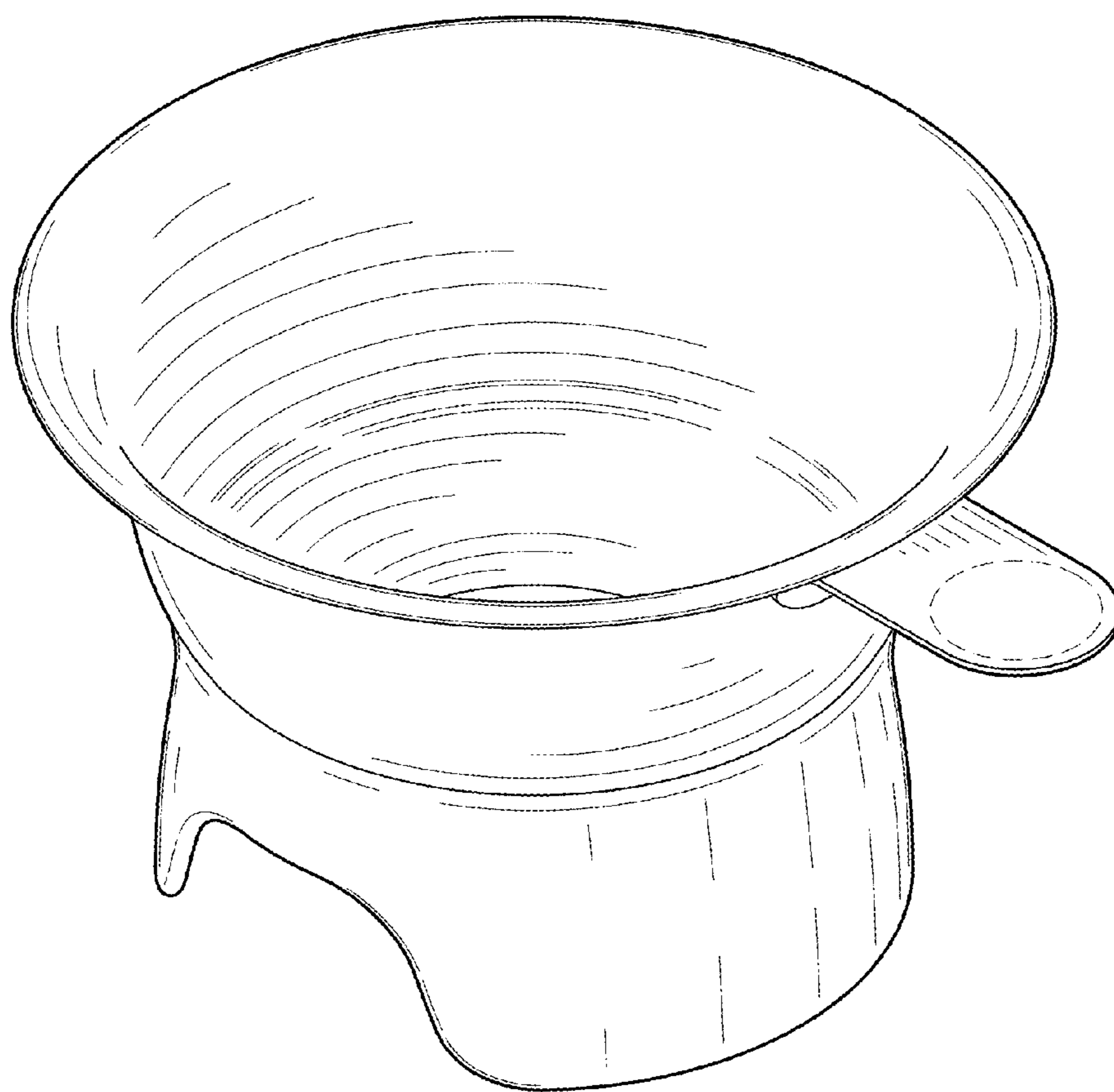


FIG.1

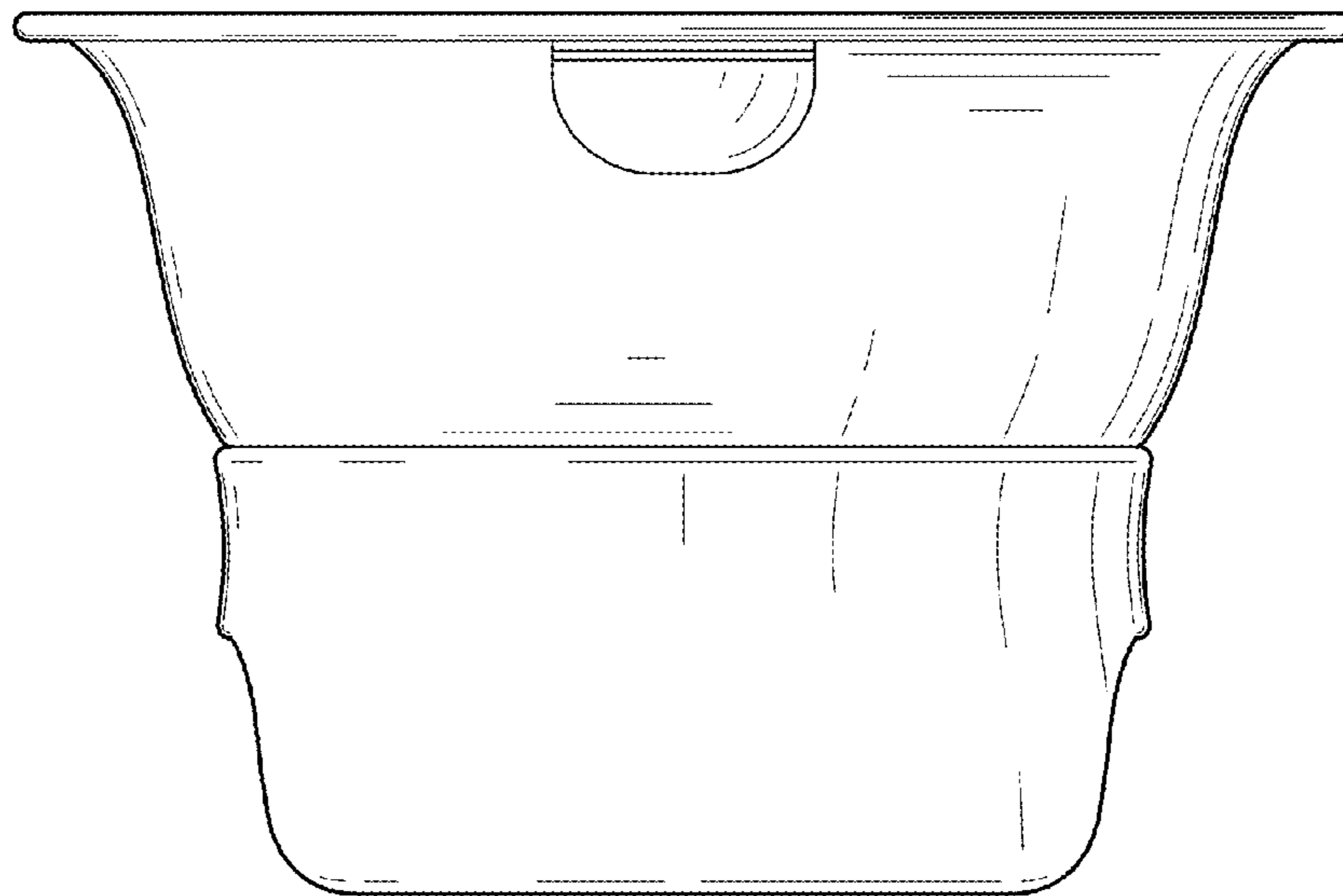


FIG.2

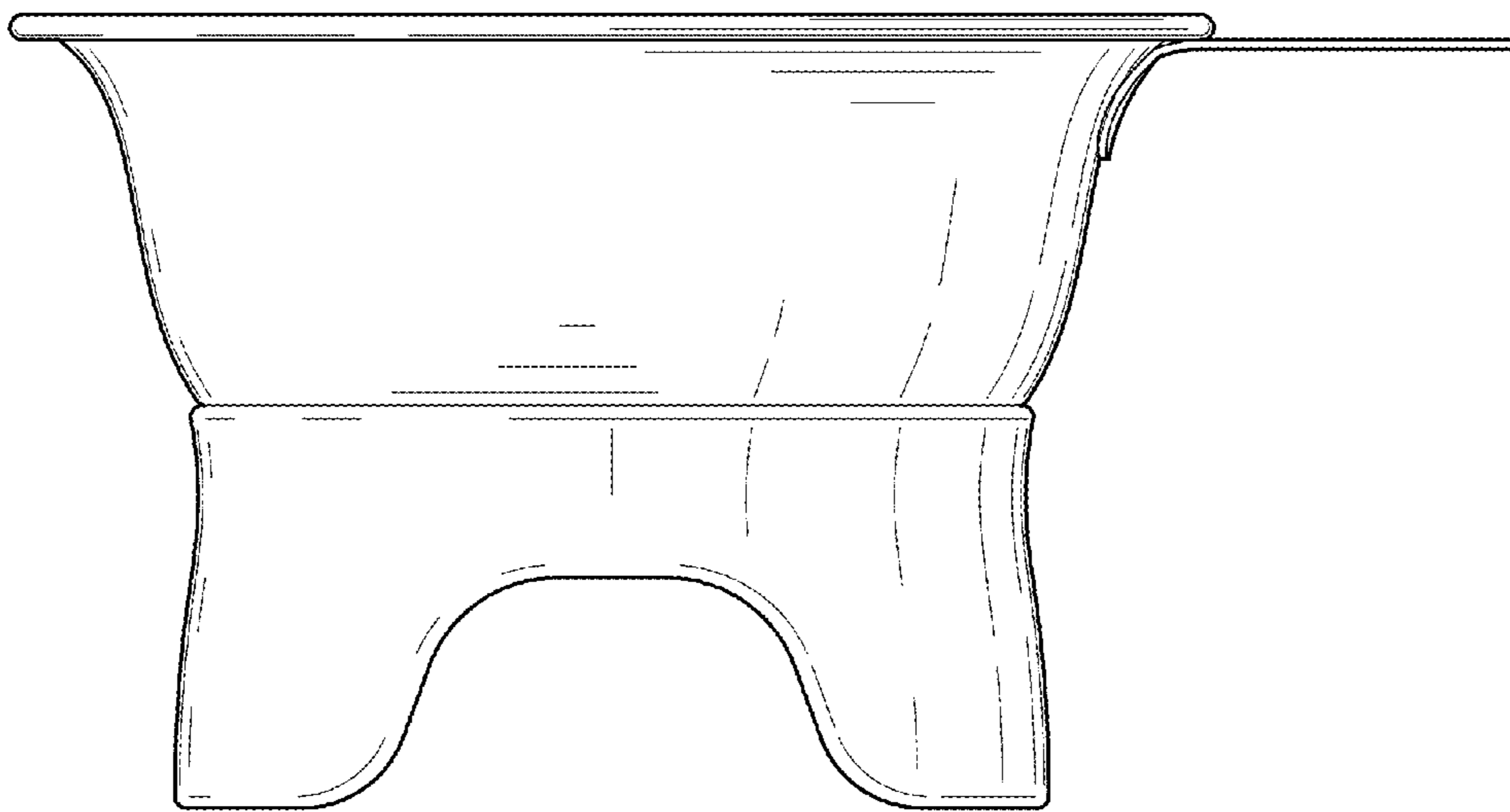


FIG. 3

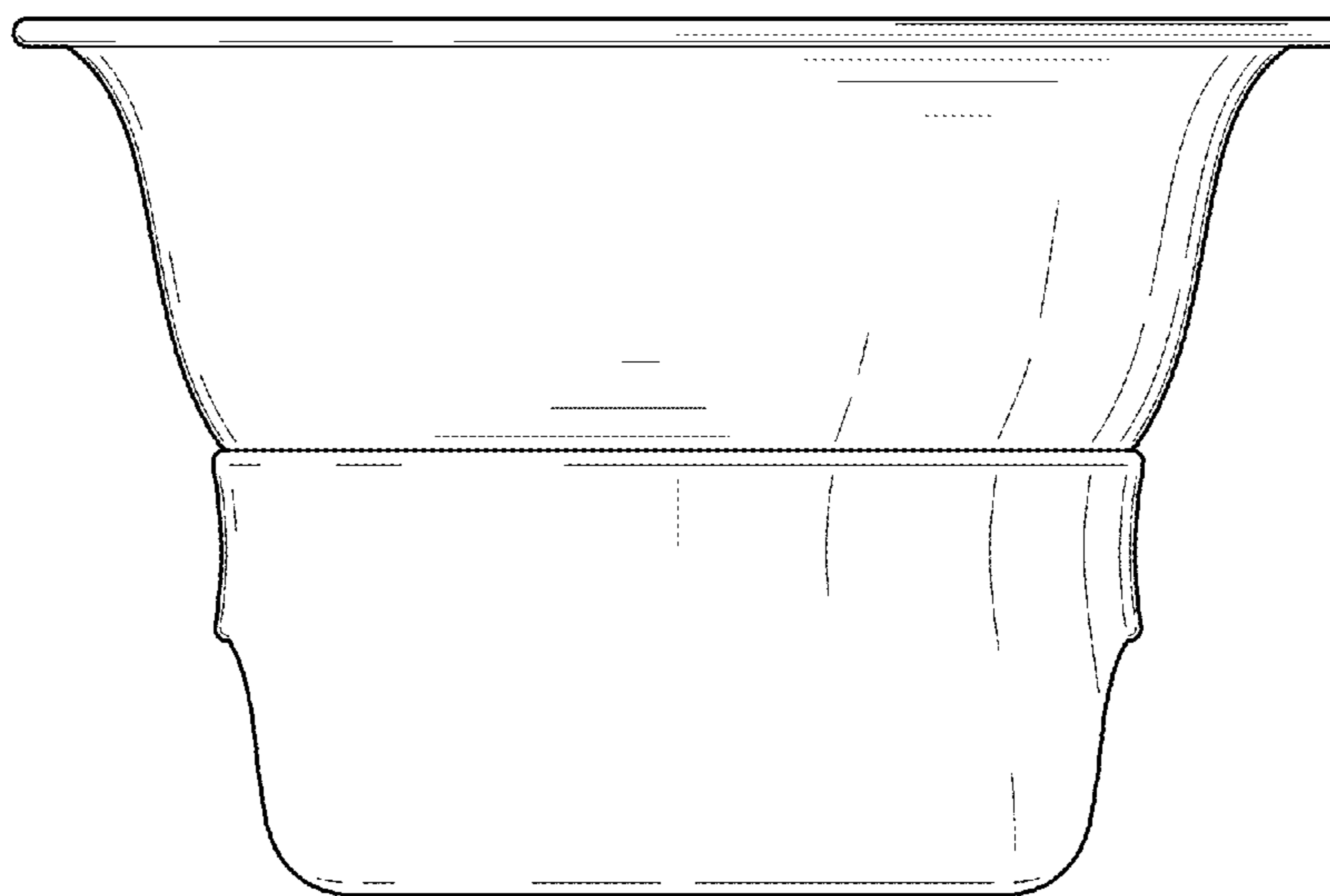


FIG.4

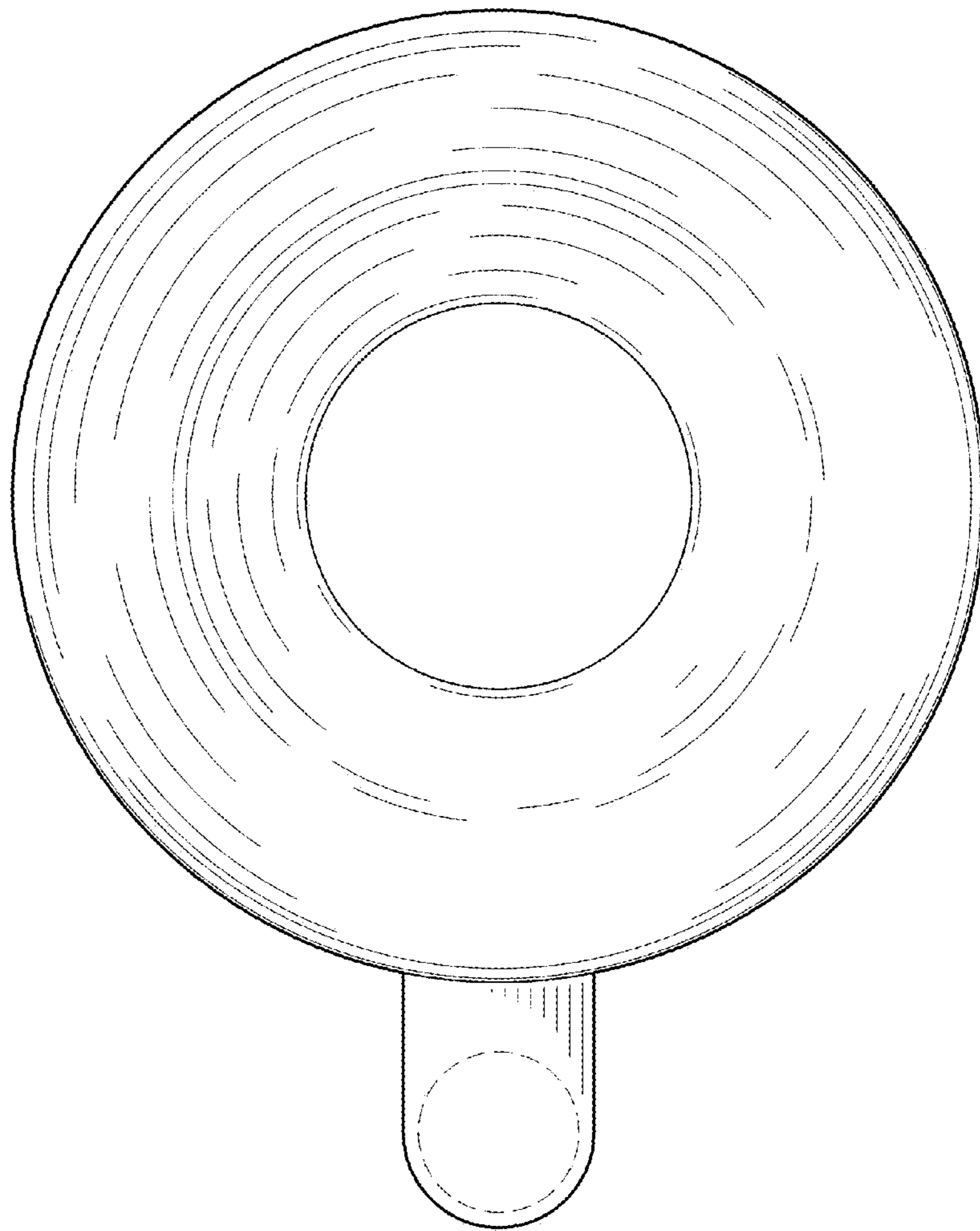


FIG.5