



US00D724902S

(12) **United States Design Patent**
Dickerson et al.

(10) **Patent No.:** **US D724,902 S**
(45) **Date of Patent:** **** Mar. 24, 2015**

(54) **THROWABLE BALL-SHAPED BEVERAGE HOLDER**

(71) Applicant: **Agile Systems, Inc.**, Plano, TX (US)

(72) Inventors: **Matthew William Dickerson**, Manor, TX (US); **James William Dickerson**, Plano, TX (US)

(73) Assignee: **Agile Systems, Inc.**, Plano, TX (US)

(**) Term: **14 Years**

(21) Appl. No.: **29/475,075**

(22) Filed: **Nov. 27, 2013**

(51) **LOC (10) Cl.** **07-06**

(52) **U.S. Cl.**
USPC **D7/625**

(58) **Field of Classification Search**

CPC B65D 81/3876
USPC D7/605-608, 619.1-625; D9/444, 668;
248/346.11, 346.01, 311.2; 215/12.1,
215/12.2, 13.1, 392-396; 62/457.1-457.9,
62/529, 530; 220/915.1, 915.2, 737-741,
220/902, 592.16, 592.17, 592.2

See application file for complete search history.

(56) **References Cited**

U.S. PATENT DOCUMENTS

4,164,284	A	*	8/1979	Witt et al.	206/217
D351,971	S	*	11/1994	Cappola	D7/625
D392,844	S	*	3/1998	Todorya	D7/606
D402,198	S	*	12/1998	Schultz et al.	D9/668
D425,757	S	*	5/2000	Printz et al.	D7/510
D433,880	S	*	11/2000	Herrera	D7/625
D511,212	S	*	11/2005	Whalen	D24/197
D518,596	S	*	4/2006	Angeletta	D28/7
D541,111	S	*	4/2007	Morgan et al.	D7/625
D580,775	S	*	11/2008	Harris	D9/668
D587,968	S	*	3/2009	Campbell	D7/510

D624,368	S	*	9/2010	Paslowski	D7/625
D633,342	S	*	3/2011	Paslowski	D7/625
8,403,778	B2		3/2013	Wallach et al.		
D679,553	S		4/2013	Williams et al.		
D686,884	S	*	7/2013	Carter	D7/625

* cited by examiner

Primary Examiner — Terry Wallace

(74) *Attorney, Agent, or Firm* — Patent Capital Group

(57) **CLAIM**

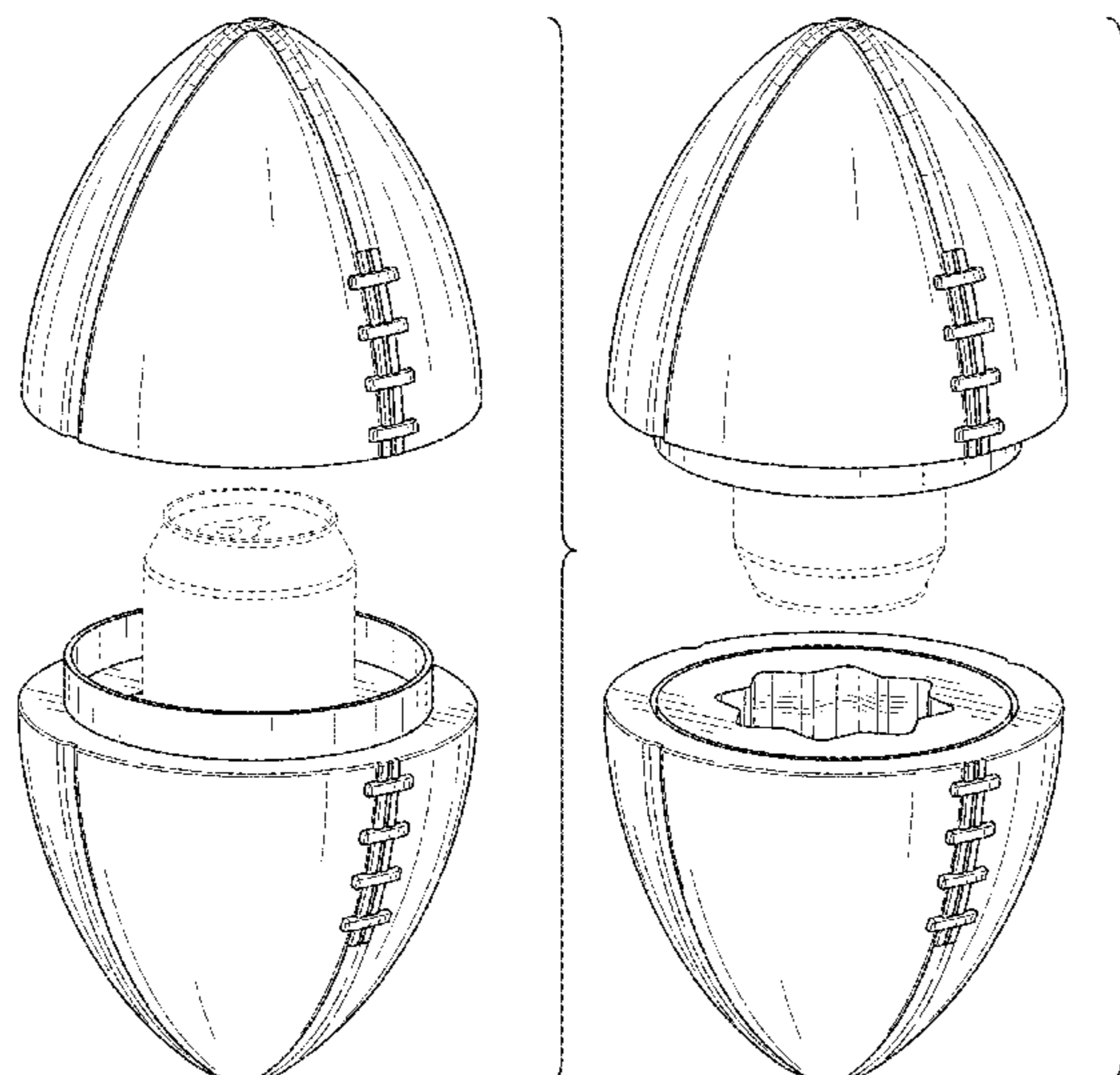
The ornamental design for a throwable ball-shaped beverage holder, as shown and described.

DESCRIPTION

FIG. 1 is a perspective view of a throwable ball-shaped beverage holder including a top part and bottom part, the perspective view showing the top, front and left sides thereof, the beverage holder illustrated in a first configuration;
 FIG. 2 is a perspective view of the beverage holder of FIG. 1, showing the bottom, front, and right sides thereof, the beverage holder illustrated in the first configuration;
 FIG. 3 is a perspective view of the beverage holder of FIG. 1, showing the top, front, and left sides thereof, the beverage holder illustrated in a second configuration;
 FIG. 4 is a front plan view of the beverage holder of FIG. 1, the beverage holder illustrated in the first configuration;
 FIG. 5 is a right plan view of the beverage holder of FIG. 1, the beverage holder illustrated in the first configuration;
 FIG. 6 is a rear plan view of the beverage holder of FIG. 1, the beverage holder illustrated in the first configuration;
 FIG. 7 is a top plan view of the beverage holder of FIG. 1, the beverage holder illustrated in the first configuration;
 FIG. 8 is a bottom plan view of the beverage holder of FIG. 1, the beverage holder illustrated in the first configuration; and,
 FIG. 9 is a side cross-sectional view of the beverage holder of FIG. 1, the beverage holder illustrated in the first configuration.

The broken lines in the preceding FIGURES illustrate environment and form no part of the claimed design.

1 Claim, 6 Drawing Sheets



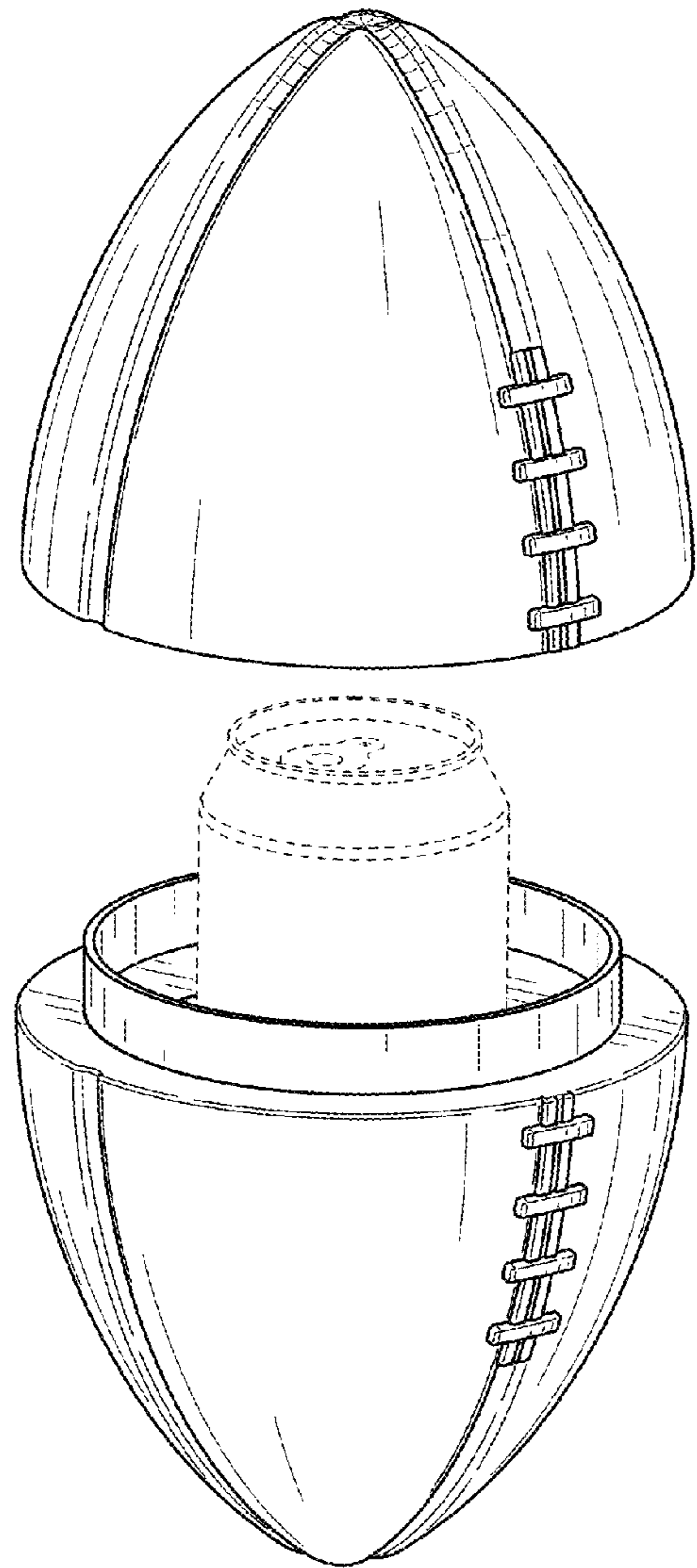


FIG. 1

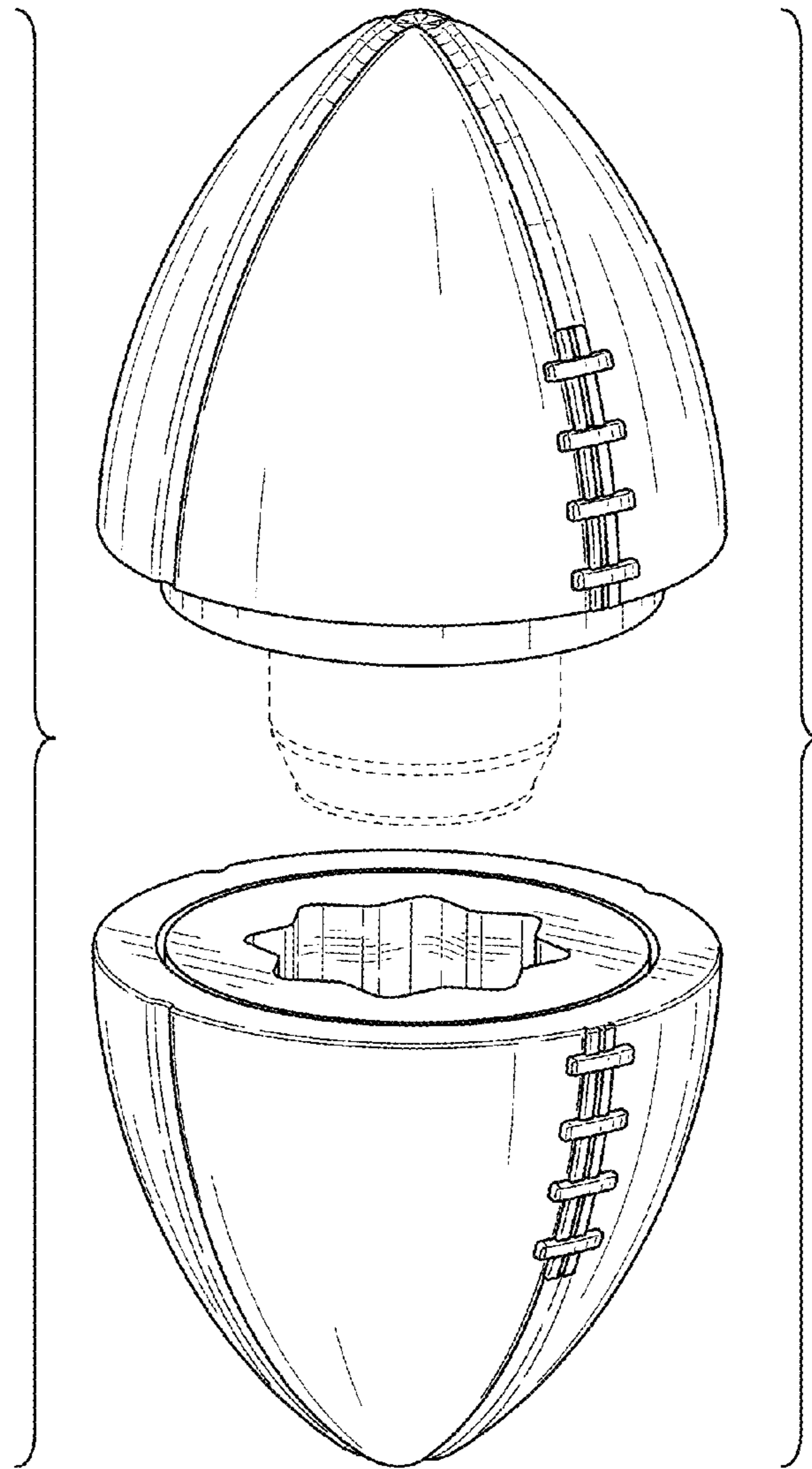


FIG. 2

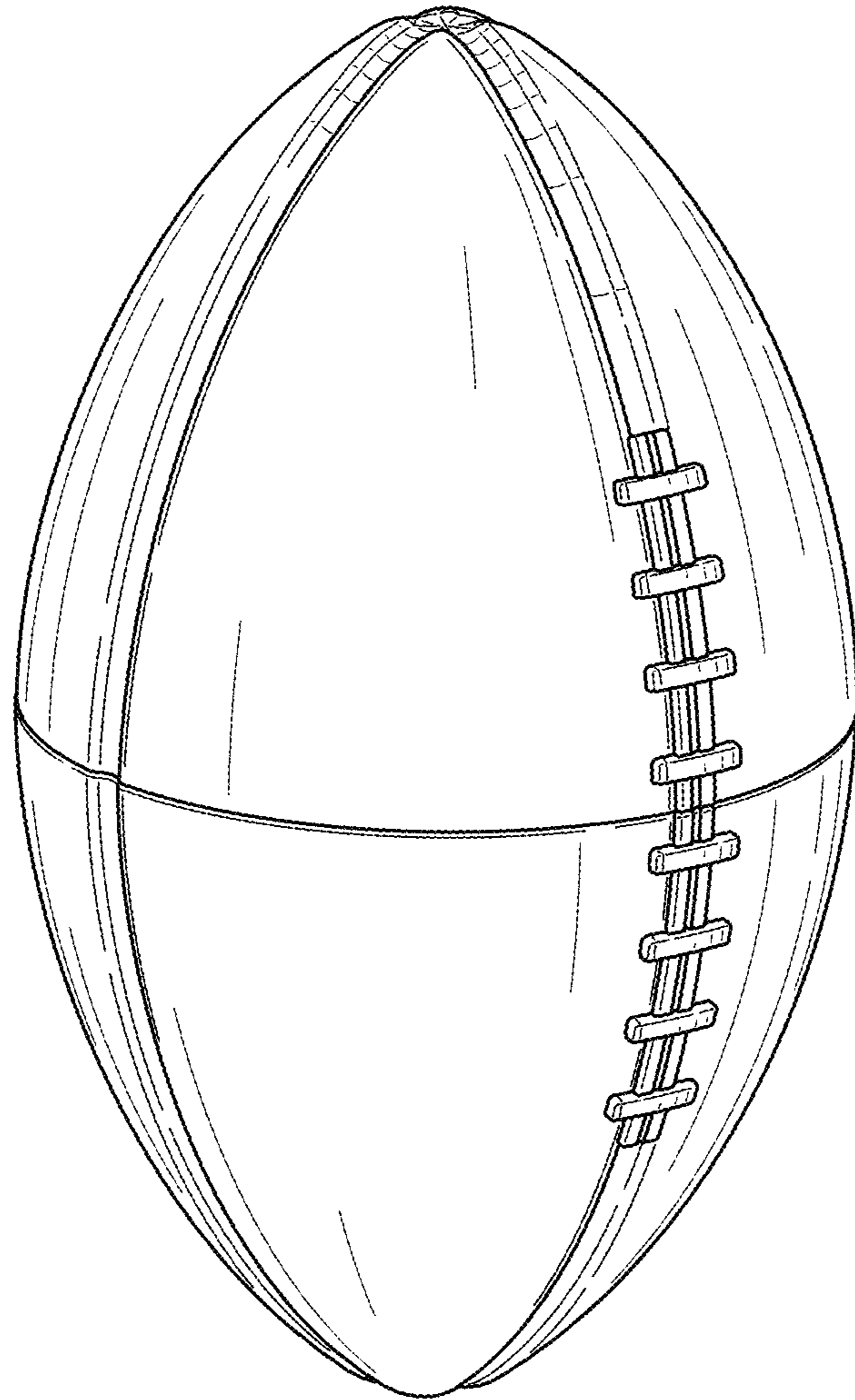


FIG. 3

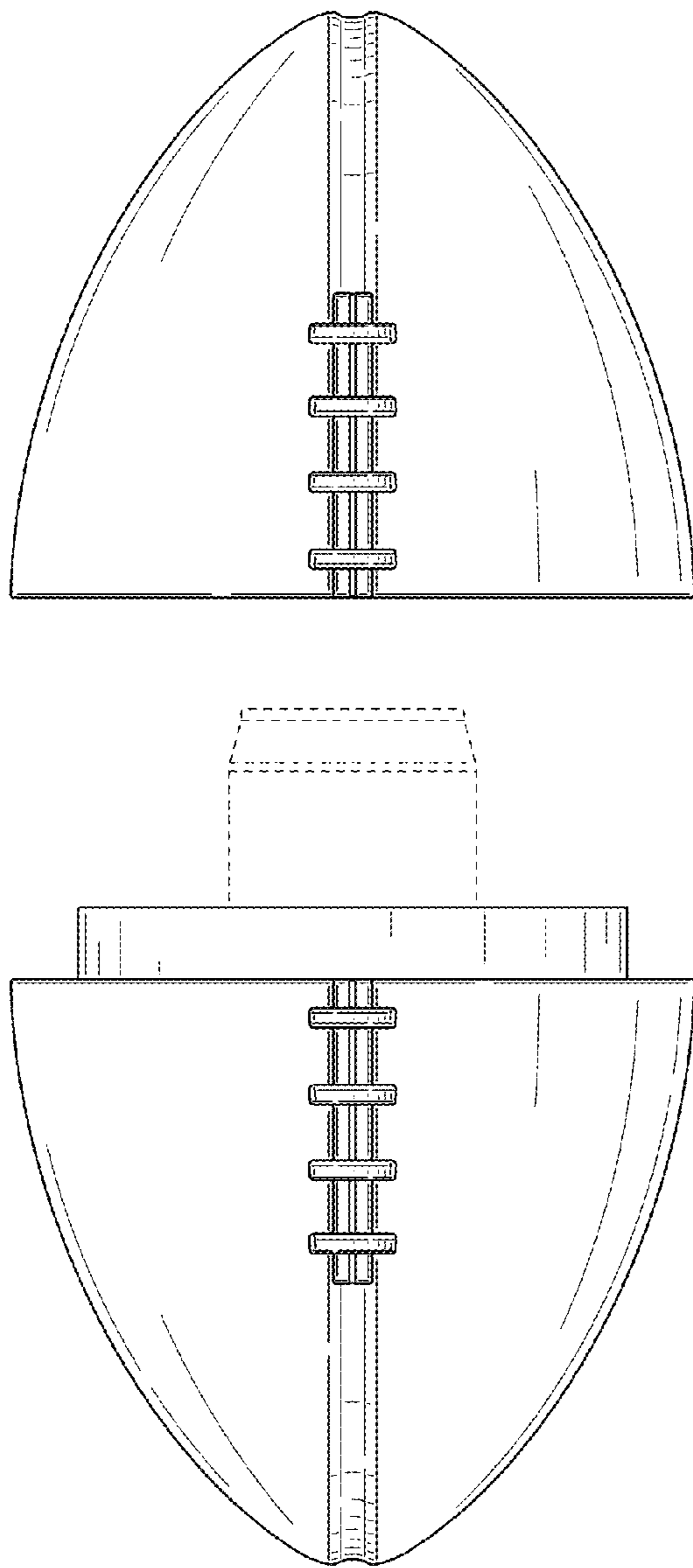


FIG. 4

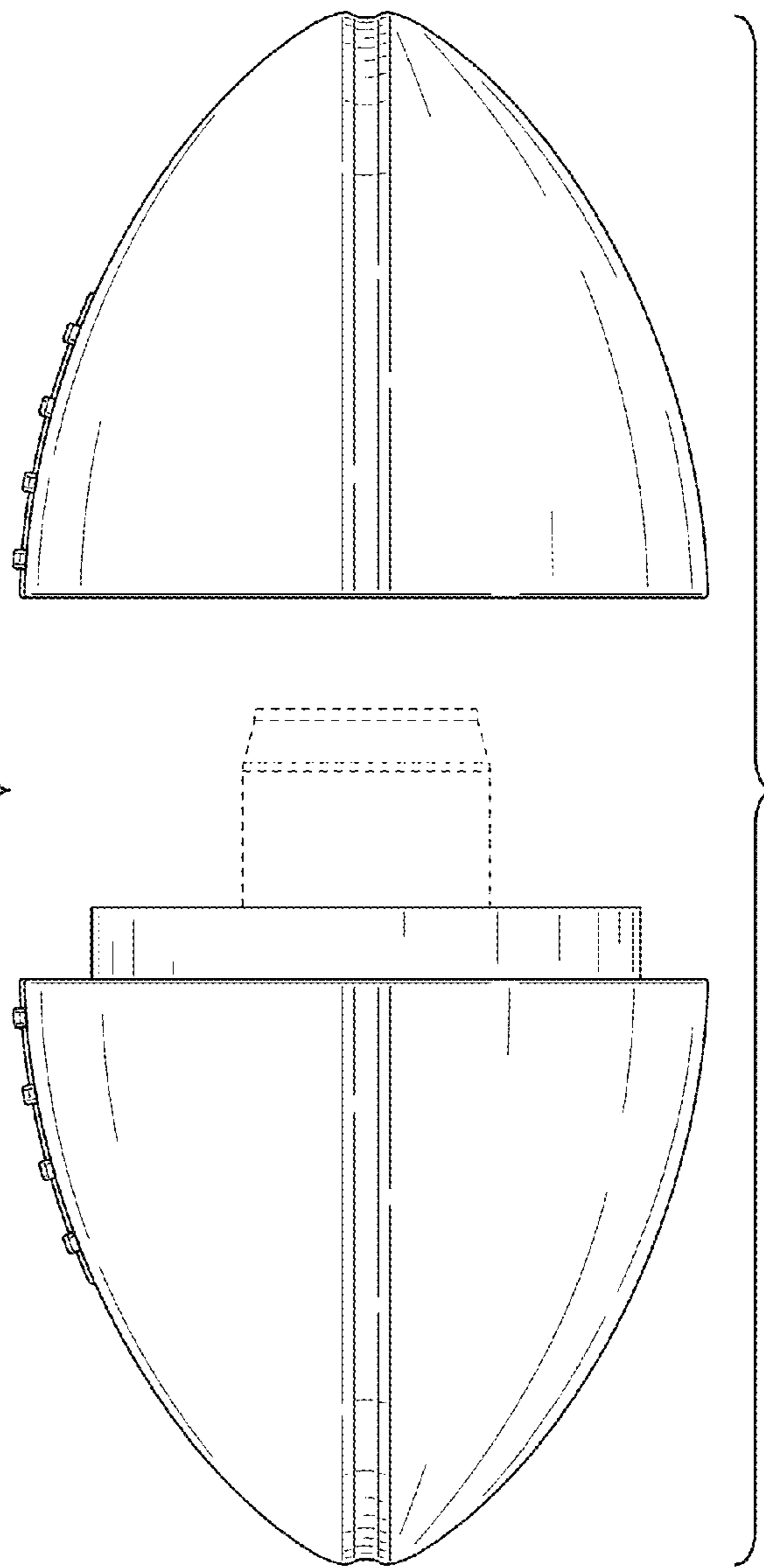


FIG. 5

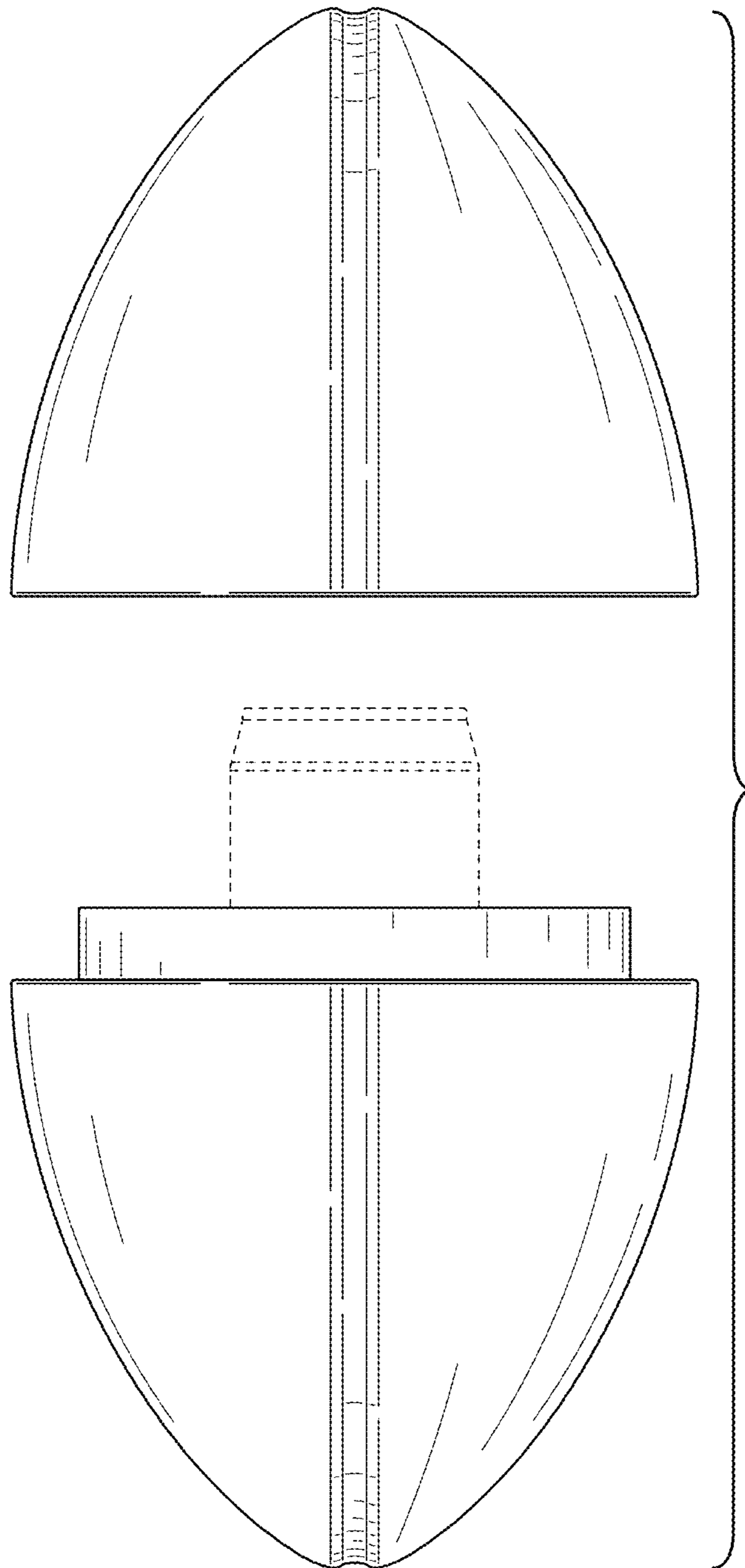


FIG. 6

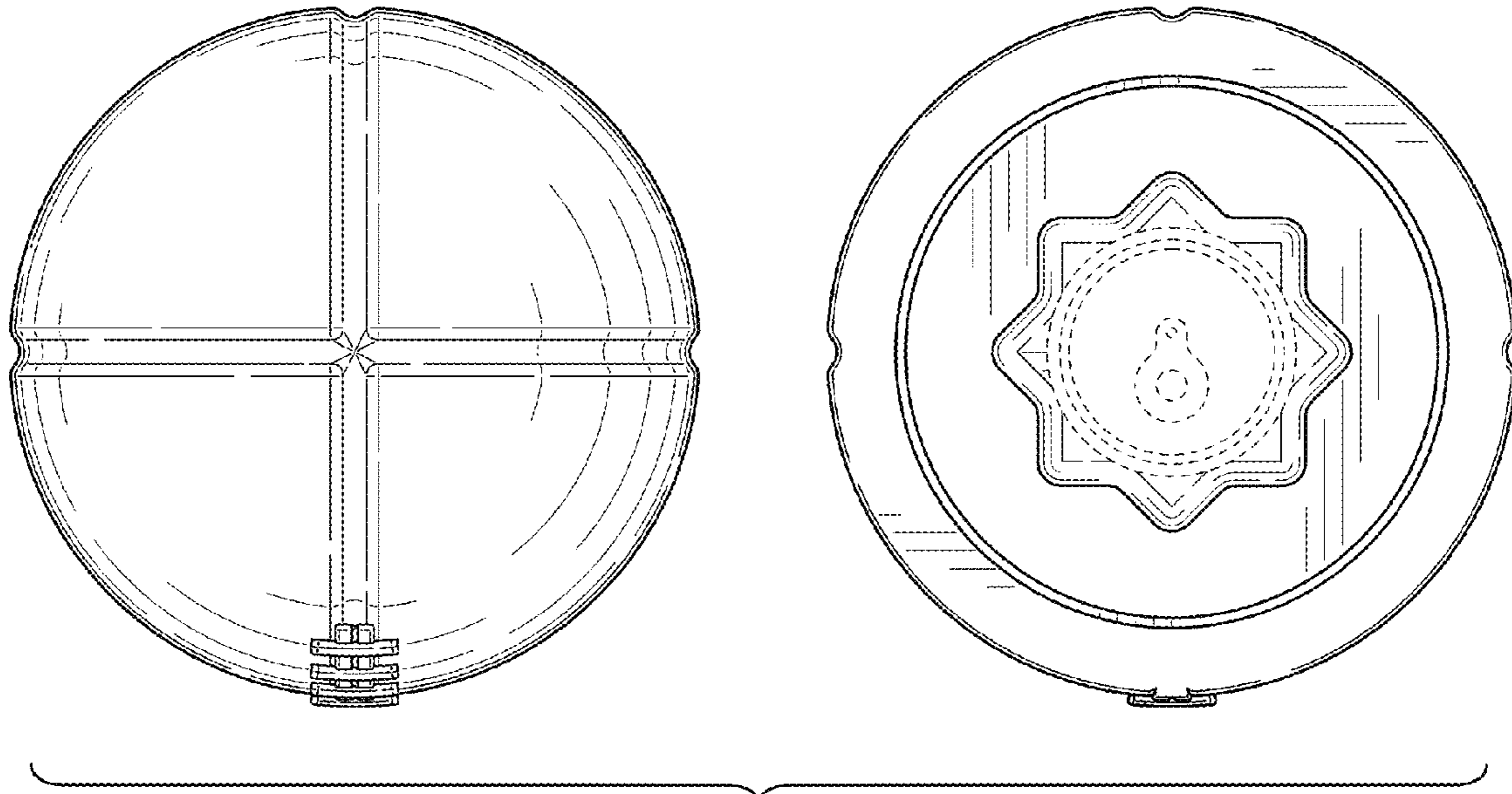


FIG. 7

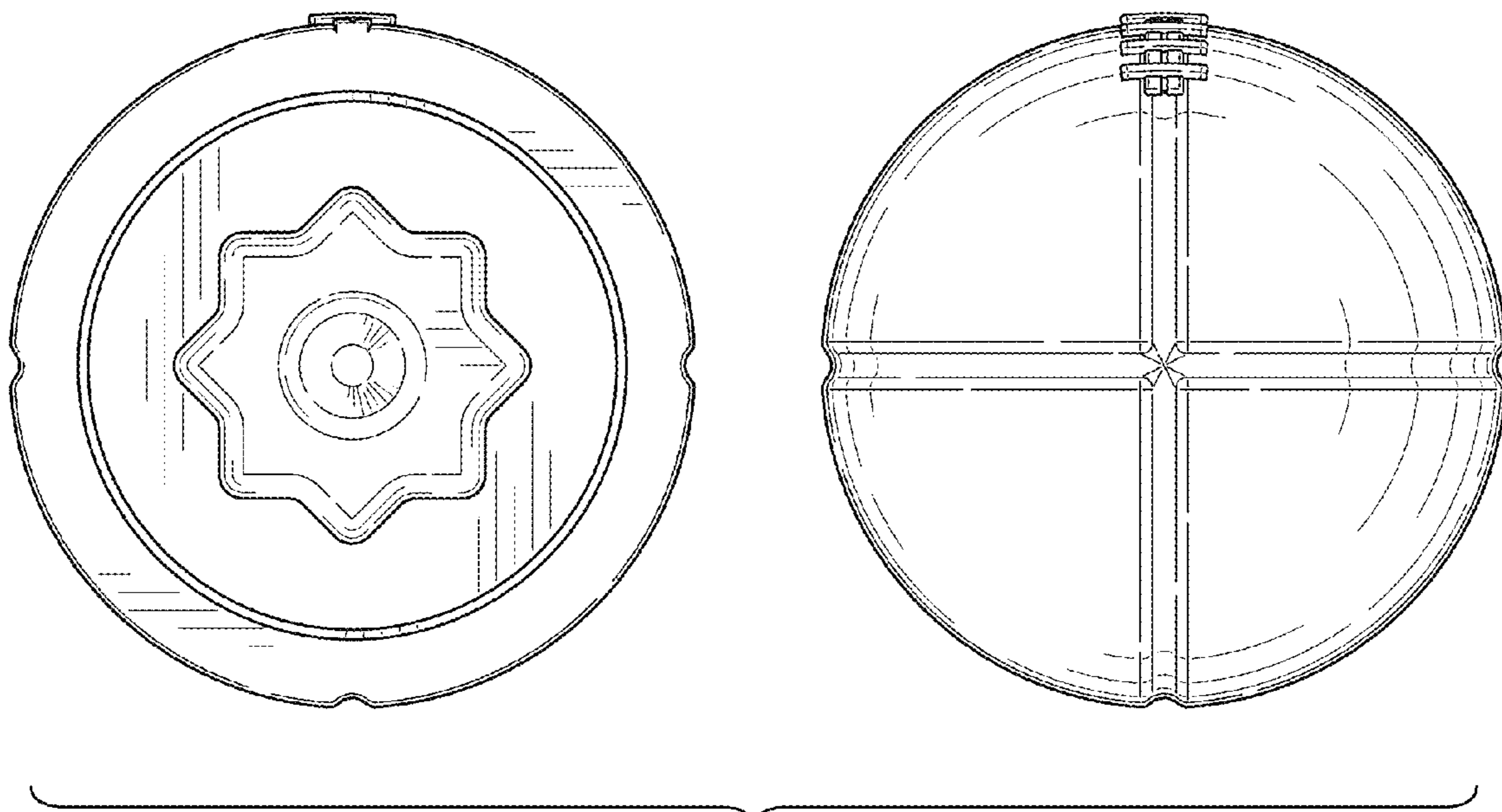


FIG. 8

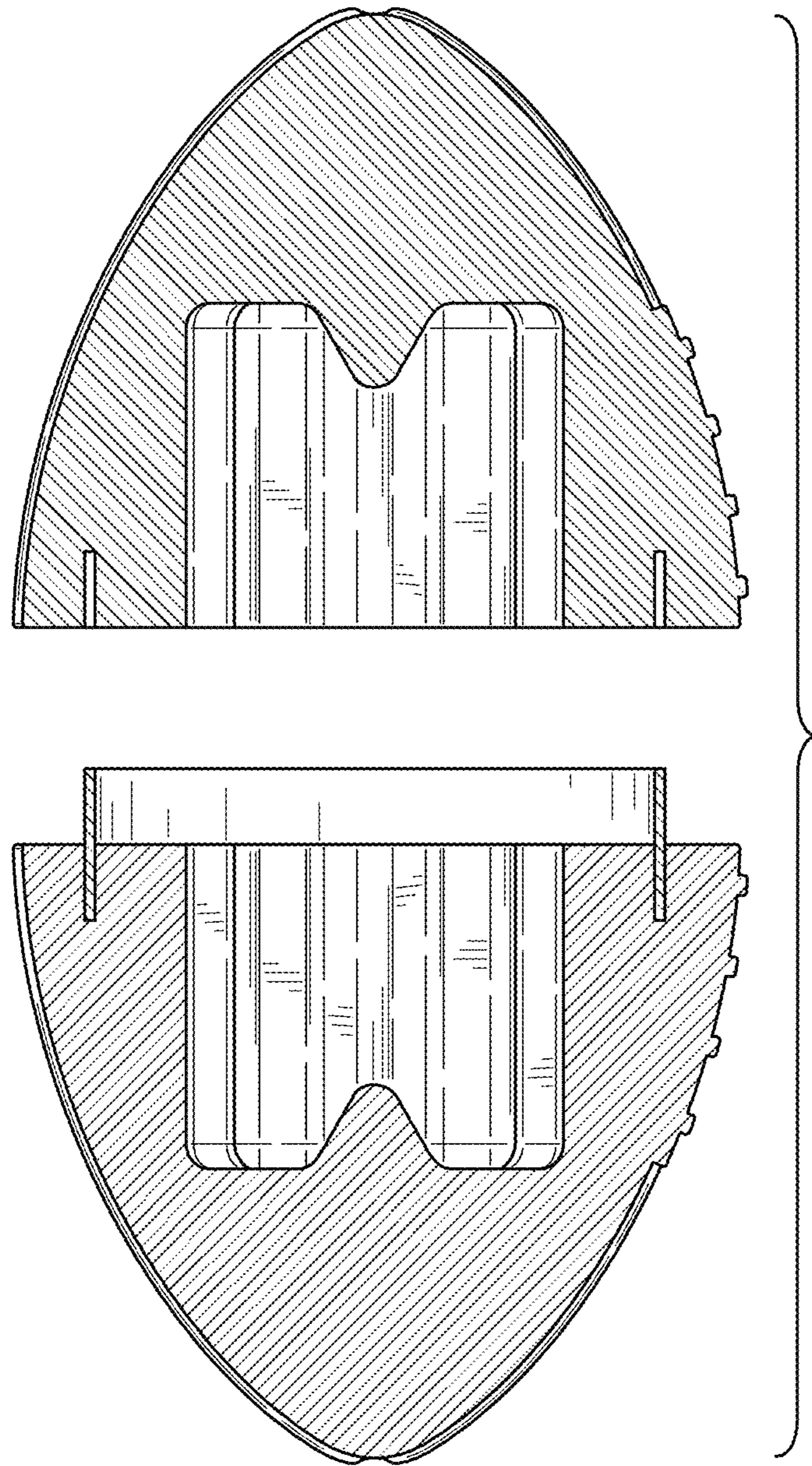


FIG. 9