



US00D724899S

(12) **United States Design Patent**  
**Feller**

(10) **Patent No.:** **US D724,899 S**  
(45) **Date of Patent:** **\*\* Mar. 24, 2015**

- (54) **COOKIE DUNK CUP**
- (71) Applicant: **Awkward Engineer Creations, LLC**,  
Somerville, MA (US)
- (72) Inventor: **Sam Feller**, Somerville, MA (US)
- (73) Assignee: **Awkward Engineer Creations, LLC**,  
Somerville, MA (US)
- (\*\*) Term: **14 Years**
- (21) Appl. No.: **29/464,709**
- (22) Filed: **Aug. 20, 2013**
- (51) **LOC (10) Cl.** ..... **07-01**
- (52) **U.S. Cl.**  
USPC ..... **D7/558; D7/509; D7/537**
- (58) **Field of Classification Search**  
USPC ..... D7/509, 523, 532, 524, 533, 536, 525,  
D7/529, 624.2, 607, 566, 558, 537, 531,  
D7/691; 215/374, 377; 220/703, 704,  
220/592.16, 592.17; 229/128; D34/1;  
D11/153  
See application file for complete search history.

D217,001 S *	3/1970	Stove .....	D7/524
D240,286 S *	6/1976	Sarpaneva .....	D7/509
D259,776 S *	7/1981	Waterfield .....	D11/153
D266,135 S *	9/1982	Husted .....	D7/540
D454,758 S *	3/2002	Lack .....	D7/524
D541,590 S *	5/2007	Wasserman et al. ....	D7/558
D542,097 S *	5/2007	Wasserman et al. ....	D7/566
D694,066 S *	11/2013	Volkov .....	D7/507
D701,731 S *	4/2014	McClellan .....	D7/524

\* cited by examiner

*Primary Examiner* — Marianne Pandozzi  
(74) *Attorney, Agent, or Firm* — Hayes Soloway PC

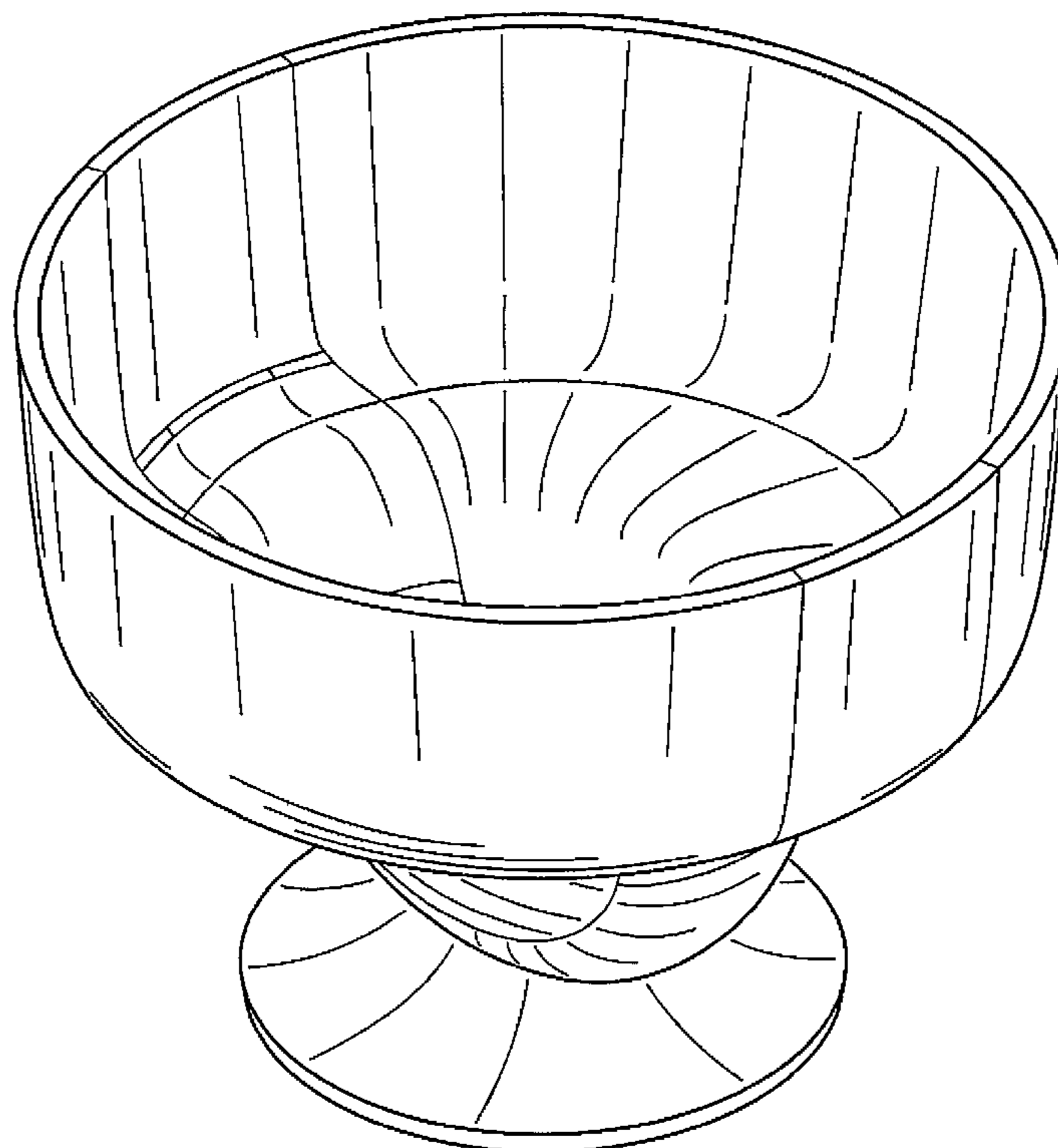
(57) **CLAIM**  
I claim the ornamental design for a cookie dunk cup, as shown and described.

**DESCRIPTION**

FIG. 1 is an upper perspective view of a cookie dunk cup showing my new design;  
FIG. 2 is a first side view thereof;  
FIG. 3 is a second side view thereof;  
FIG. 4 is a top view thereof;  
FIG. 5 is a bottom view thereof;  
FIG. 6 is a cross-sectional view thereof, taken along line 6:6 of FIG. 2;  
FIG. 7 is a cross-sectional view thereof, taken along line 7:7 of FIG. 3; and,  
FIG. 8 is a lower perspective view thereof.

**1 Claim, 8 Drawing Sheets**

- (56) **References Cited**  
U.S. PATENT DOCUMENTS  
3,045,855 A \* 7/1962 Lipman ..... 215/377  
D199,461 S \* 10/1964 Dolby ..... D9/716



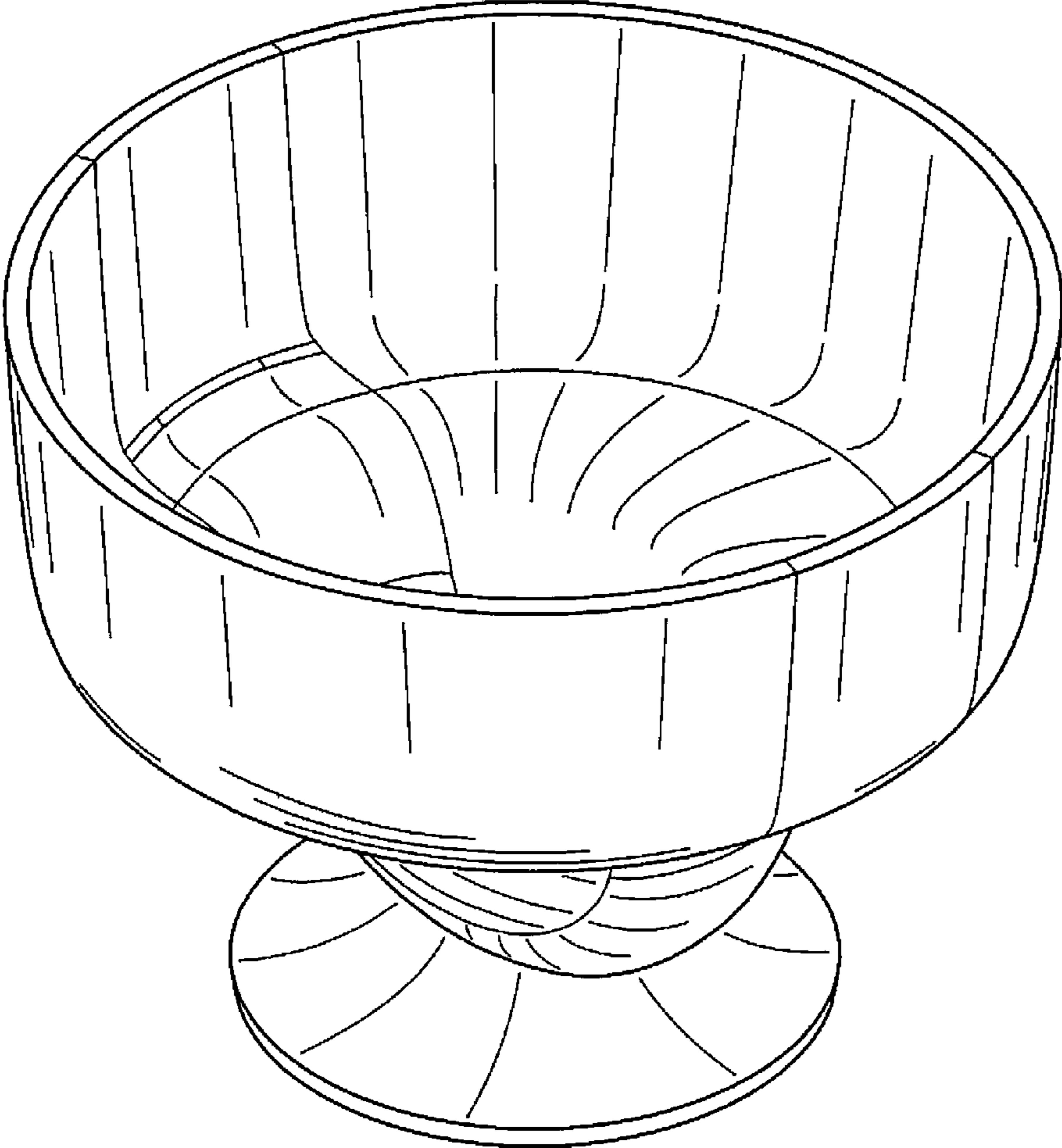


FIG. 1

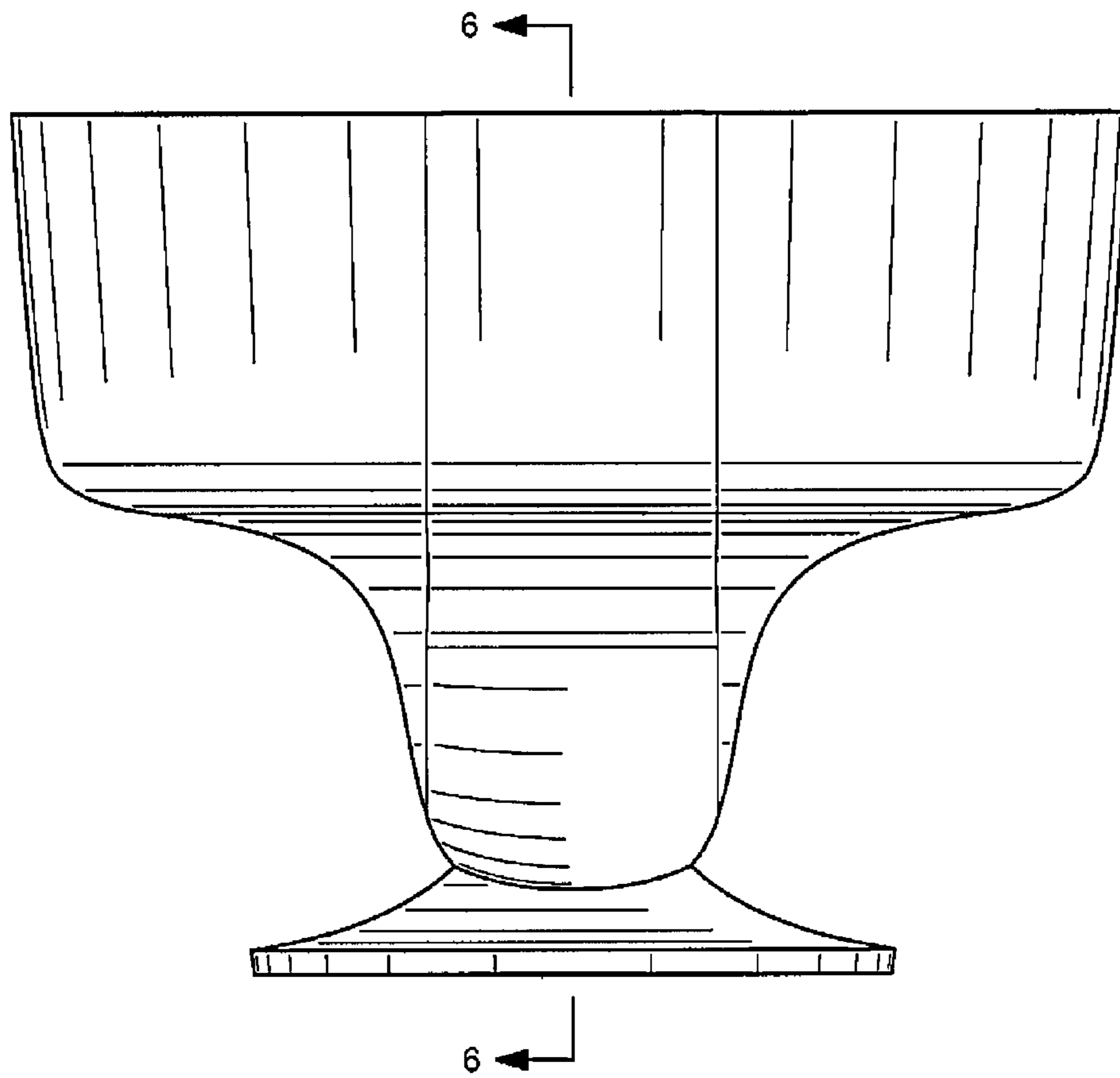


FIG. 2

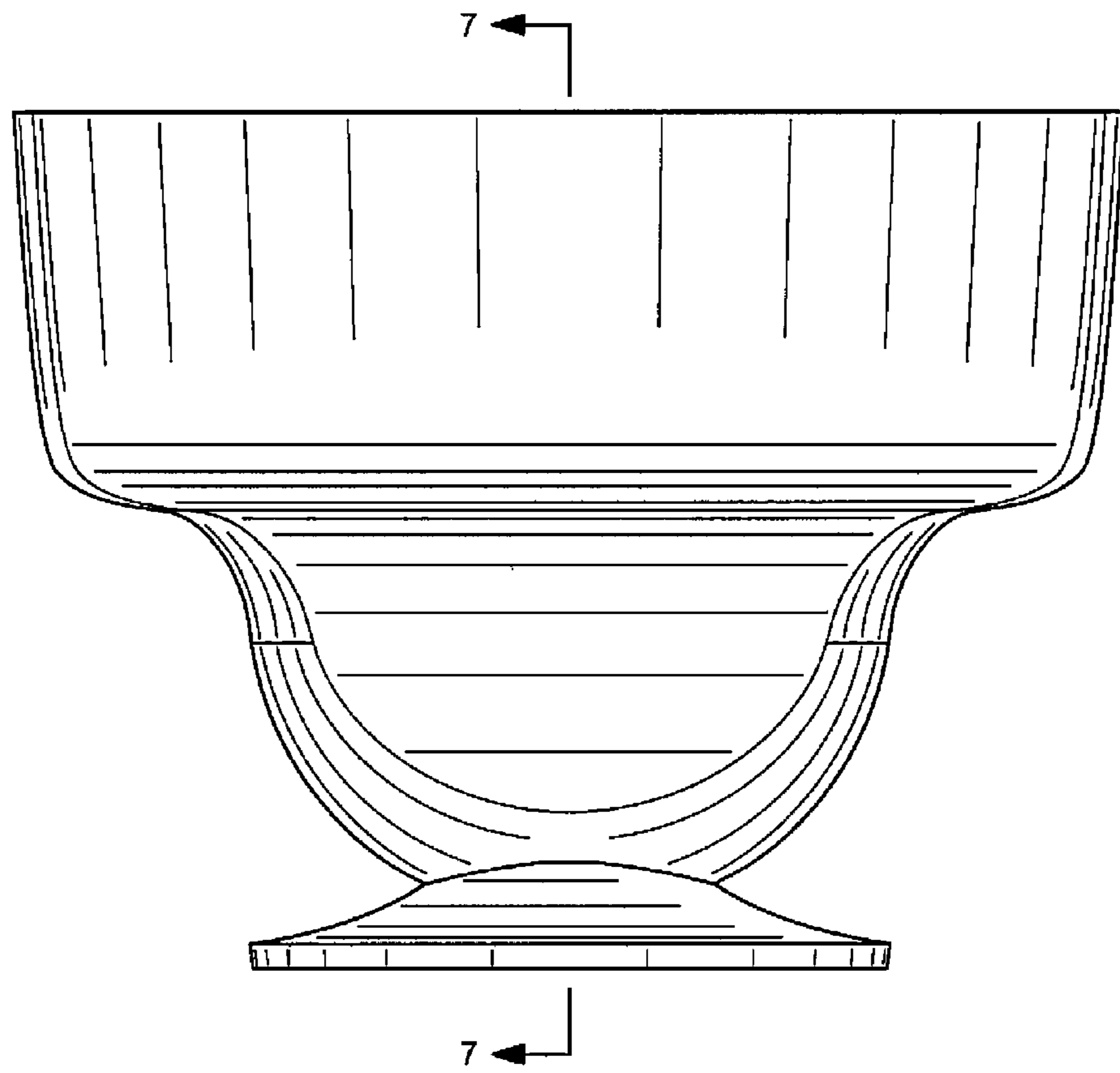


FIG. 3

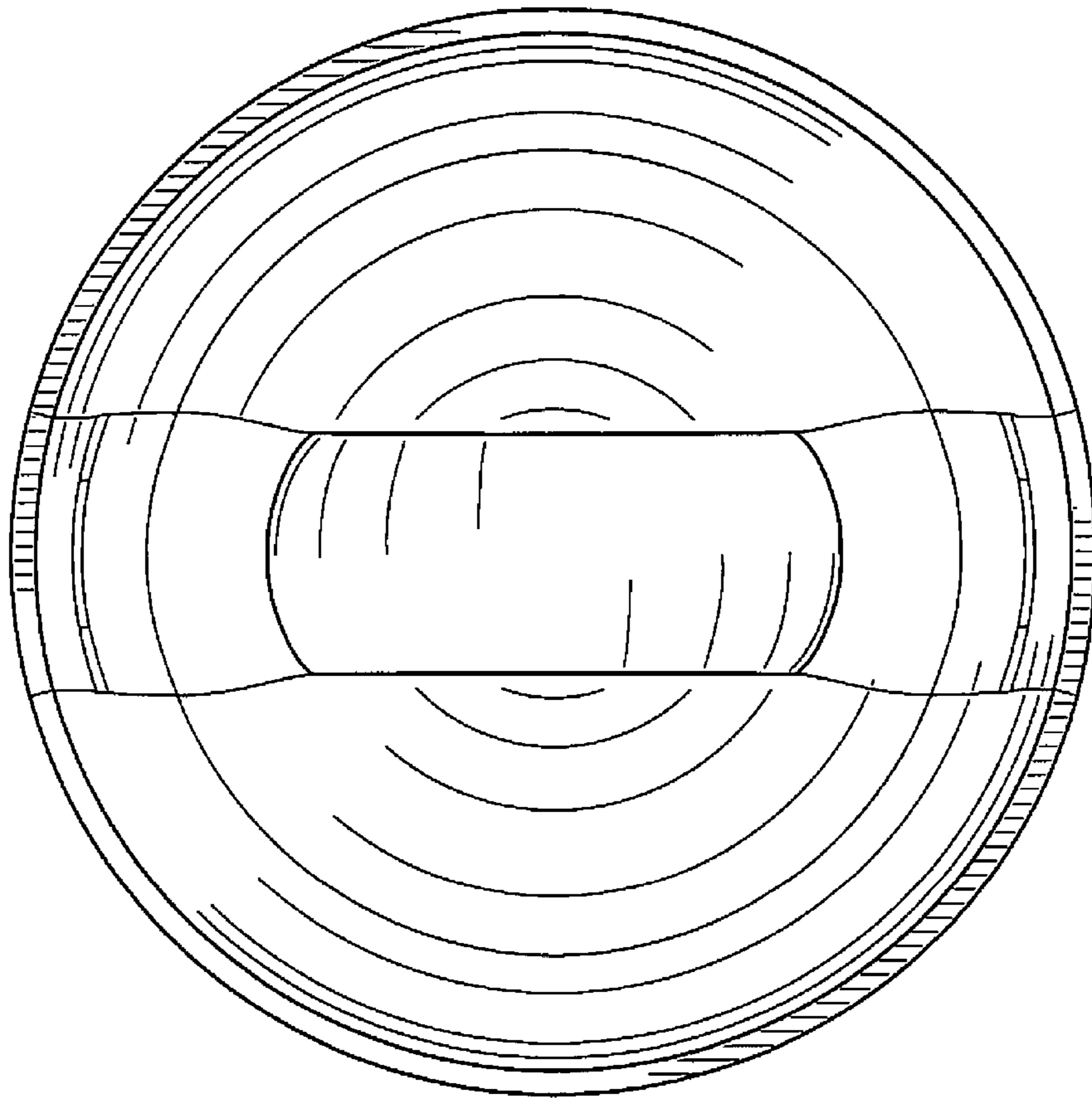


FIG. 4

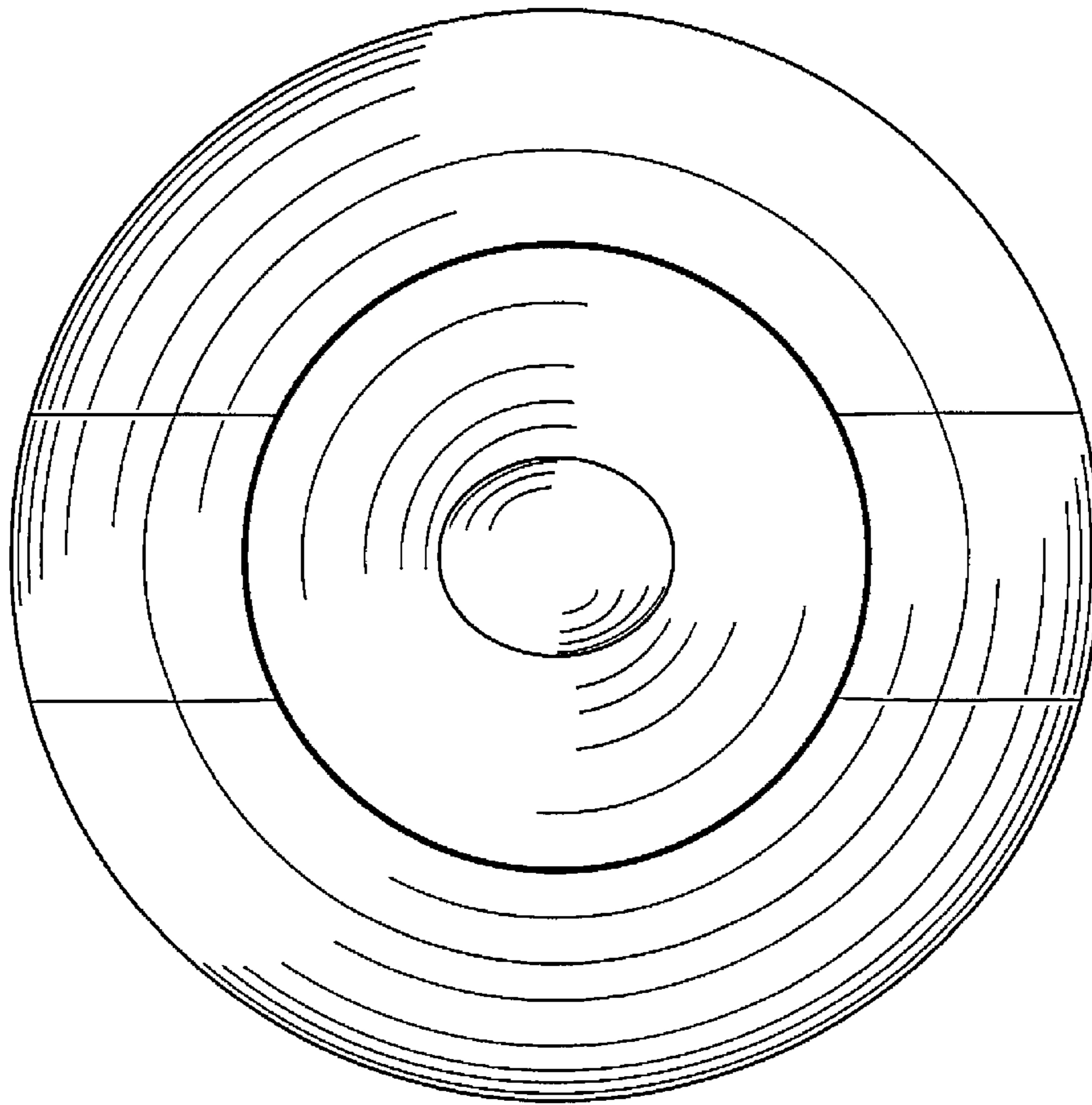


FIG. 5

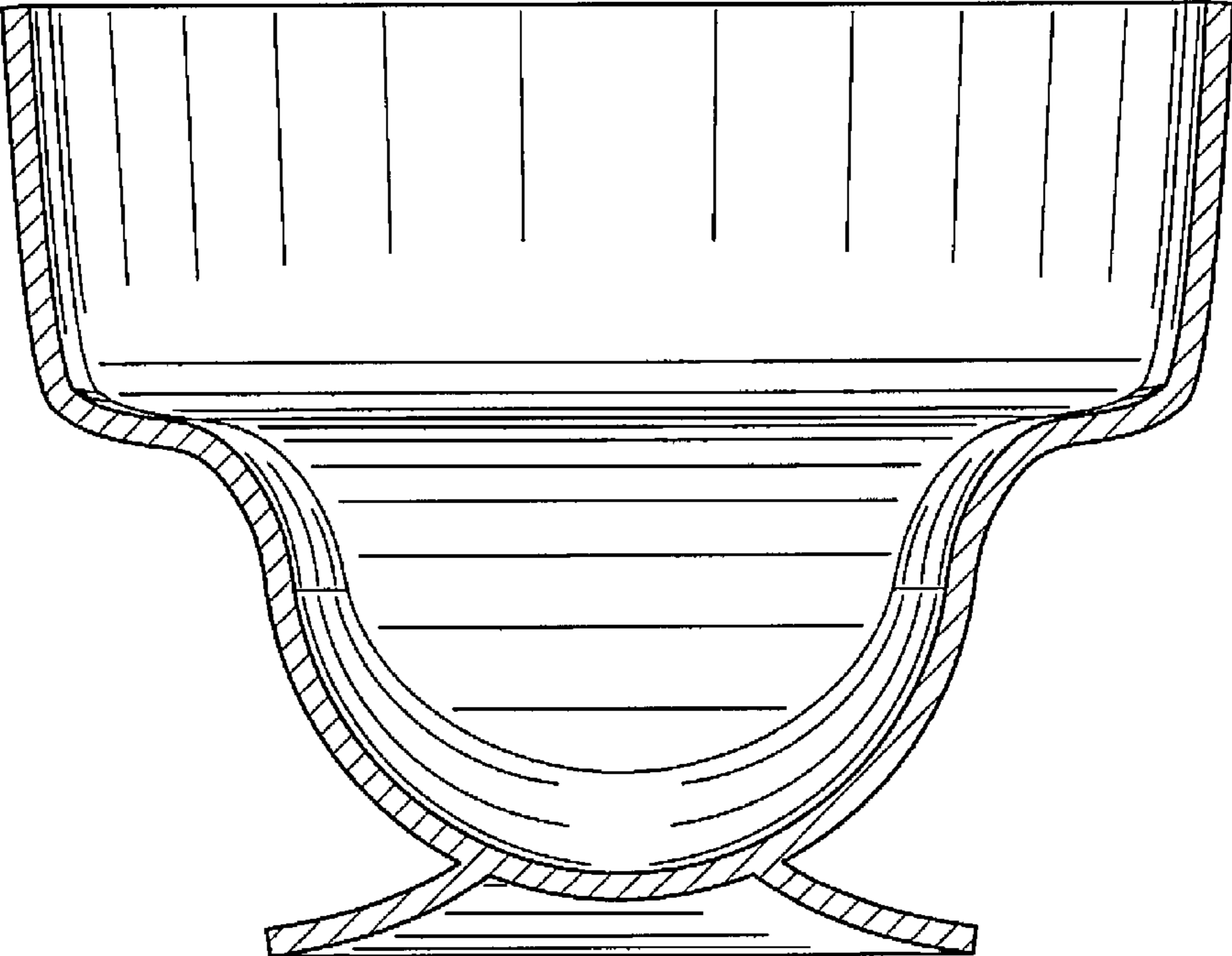


FIG. 6

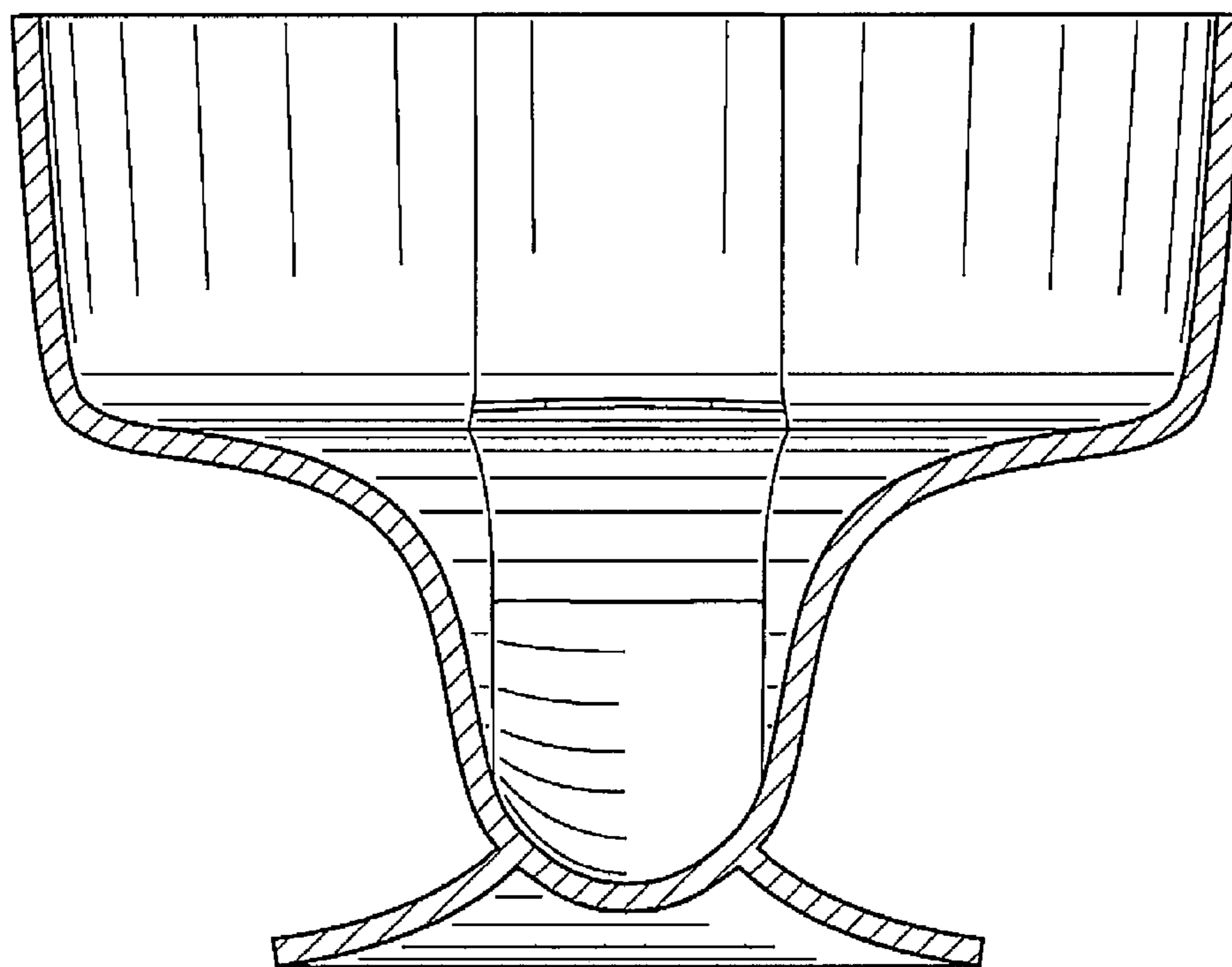


FIG. 7



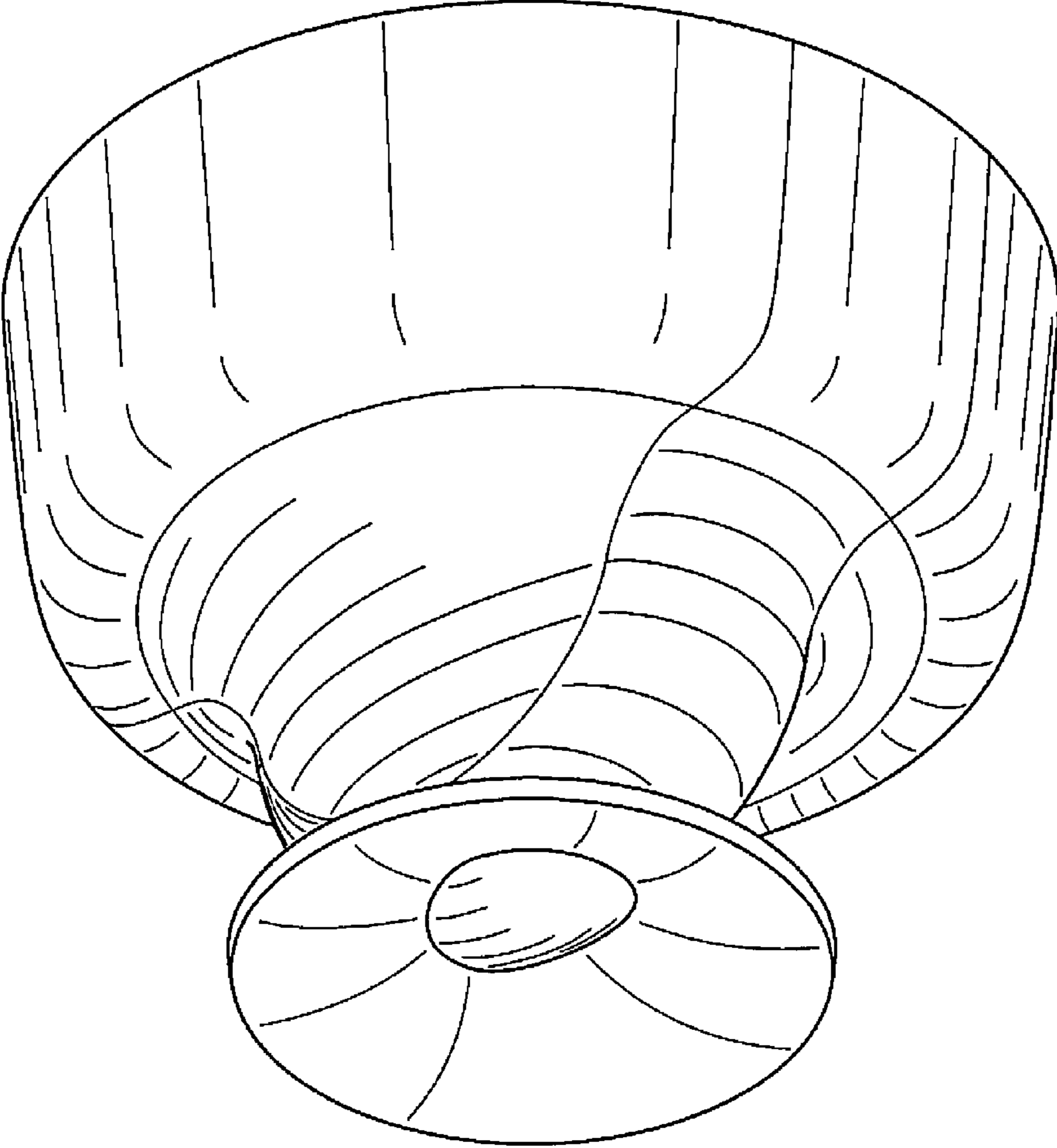


FIG. 8