



US00D724896S

(12) **United States Design Patent**
Williams

(10) **Patent No.:** **US D724,896 S**
(45) **Date of Patent:** **** Mar. 24, 2015**

(54) **BEVERAGE CONTAINER**

(71) Applicant: **Ignite USA, LLC**, Chicago, IL (US)

(72) Inventor: **Emilie Williams**, Chicago, IL (US)

(73) Assignee: **Ignite USA, LLC**, Chicago, IL (US)

(**) Term: **14 Years**

(21) Appl. No.: **29/479,983**

(22) Filed: **Jan. 22, 2014**

(51) **LOC (10) Cl.** **07-01**

(52) **U.S. Cl.**
USPC **D7/511**

(58) **Field of Classification Search**

USPC D7/300, 302, 314, 317, 320, 396.2, 500,
D7/507, 509, 510, 511, 538, 543, 560, 600,
D7/601, 605, 619.1, 622, 629; D9/418,
D9/434, 435, 440, 444, 447, 449, 500, 501,
D9/503, 504, 516, 519, 530, 537, 545, 549,
D9/551, 564, 719, 737, 738, 751;
215/12.1, 379, 381-385; 220/660, 662,
220/694, 669, 675, 676, 703, 711, 713, 715

See application file for complete search history.

(56) **References Cited**

U.S. PATENT DOCUMENTS

6,786,137 B1 * 9/2004 Shen 99/323
D578,394 S * 10/2008 Shurtleff et al. D9/516

(Continued)

OTHER PUBLICATIONS

<http://livingmaxwell.com/best-non-organic-food-products-from-the-2010-expo-east-trade-show> Posted Nov. 15, 2010.*

(Continued)

Primary Examiner — Susan Bennett Hattan

Assistant Examiner — Leanne Was

(74) *Attorney, Agent, or Firm* — McDermott Will & Emery
LLP

(57) **CLAIM**

We claim the ornamental design for a beverage container, as shown and described.

DESCRIPTION

FIG. 1 is a top perspective view of a beverage container according to the new design;

FIG. 2 is a bottom perspective view of a beverage container shown in FIG. 1;

FIG. 3 is a right side view of a beverage container shown in FIG. 1;

FIG. 4 is a left side view of a beverage container shown in FIG. 1;

FIG. 5 is a front view of a beverage container shown in FIG. 2;

FIG. 6 is a back view of a beverage container shown in FIG. 2;

FIG. 7 is a top view of the beverage container shown in FIG. 1;

FIG. 8 is a bottom view of the beverage container shown in FIG. 1;

FIG. 9 is a top perspective view in an alternate environment of a beverage container;

FIG. 10 is a bottom perspective view of a beverage container shown in FIG. 9;

FIG. 11 is a right side view of a beverage container shown in FIG. 9;

FIG. 12 is a left side view of a beverage container shown in FIG. 9;

FIG. 13 is a front view of a beverage container shown in FIG. 9;

FIG. 14 is a back view of a beverage container shown in FIG. 9;

FIG. 15 is a top view of a beverage container shown in FIG. 9; and,

FIG. 16 is a bottom view of a beverage container shown in FIG. 9.

Features shown in broken lines in the drawings depict unclaimed environment only.

1 Claim, 11 Drawing Sheets



(56)

References Cited

U.S. PATENT DOCUMENTS

D602,369	S *	10/2009	Potts et al.	D9/547
D621,220	S *	8/2010	Lown et al.	D7/510
D651,086	S *	12/2011	Gullickson et al.	D9/504
8,245,870	B2 *	8/2012	McKinney et al.	220/375
8,371,244	B2 *	2/2013	Krasner	119/72.5
D689,331	S *	9/2013	Staton	D7/510
D689,332	S *	9/2013	Krasner	D7/510
D705,063	S *	5/2014	Weiss	D9/500
8,763,829	B2 *	7/2014	Madaus	215/44
2011/0278216	A1 *	11/2011	Hull et al.	210/236

OTHER PUBLICATIONS

<http://www.target.com/p/ello-percy-glass-water-bottle-22-oz/-/A-14265557>; at least as early as Jan. 22, 2014.

<http://www.target.com/p/ello-syndicate-glass-water-bottle-20-oz/-/A-14265540>; at least as early as Jan. 22, 2014.

http://www.amazon.com/Takeya-Classic-Bottle-Silicone-22-Ounce/dp/B003DTLNUG/ref=sr_1_2?ie=UTF8&qid=1392823257&sr=8-2&keywords=takeya; at least as early as Jan. 22, 2014.

http://www.amazon.com/Takeya-Modern-Bottle-Silicone-18-Ounce/dp/B003DTLO5U/ref=sr_1_5?ie=UTF8&qid=1392823257&sr=8-5&keywords=takeya; at least as early as Jan. 22, 2014.

http://www.amazon.com/Lifefactory-22-Ounce-Beverage-Bottle-Midnight/dp/B003BFS8WI/ref=sr_1_31?ie=UTF8&qid=1392823309&sr=8-31&keywords=takeya; at least as early as Jan. 22, 2014.

http://www.amazon.com/Camelbak-Glass-7-Liter-Water-Bottle/dp/B007L6953Y/ref=sr_1_36?ie=UTF8&qid=1392823338&sr=8-36&keywords=takeya; at least as early as Jan. 22, 2014.

http://www.amazon.com/Smart-Planet-EC-59-Borosilicate-Silicone/dp/B0090X0OPE/ref=sr_1_10?ie=UTF8&qid=1392823368&sr=8-10&keywords=glass+water+bottle; at least as early as Jan. 22, 2014.

http://www.amazon.com/SubZero-Stainless-Steel-Water-Bottle/dp/B00291ELRG/ref=cm_cr_pr_product_top; at least as early as Jan. 22, 2014.

<http://www.target.com/p/ello-thrive-flora-glass-water-bottle-20-oz/-/A-14477361>; at least as early as Jan. 22, 2014.

http://www.amazon.com/Rive-Savoy-Glass-Bottle-16-Ounce/dp/B00503VZ3I/ref=sr_1_1?s=home-garden&ie=UTF8&qid=1401917729&sr=1-1&keywords=rive+savoy+glass+water+bottle; at least as early as Jan. 22, 2014.

http://www.amazon.com/Ello-14-oz-Insulated-Glass-Tumbler/dp/B00BXO7WPS/ref=sr_1_1?s=home-garden&ie=UTF8&qid=1401918001&sr=1-1&keywords=ello; at least as early as Jan. 22, 2014.

<http://www.skin1.com/bkr-brand.html?gclid=COaq0e6X4b4CFcyhOgod43YArg>; at least as early as Jan. 22, 2014.

* cited by examiner

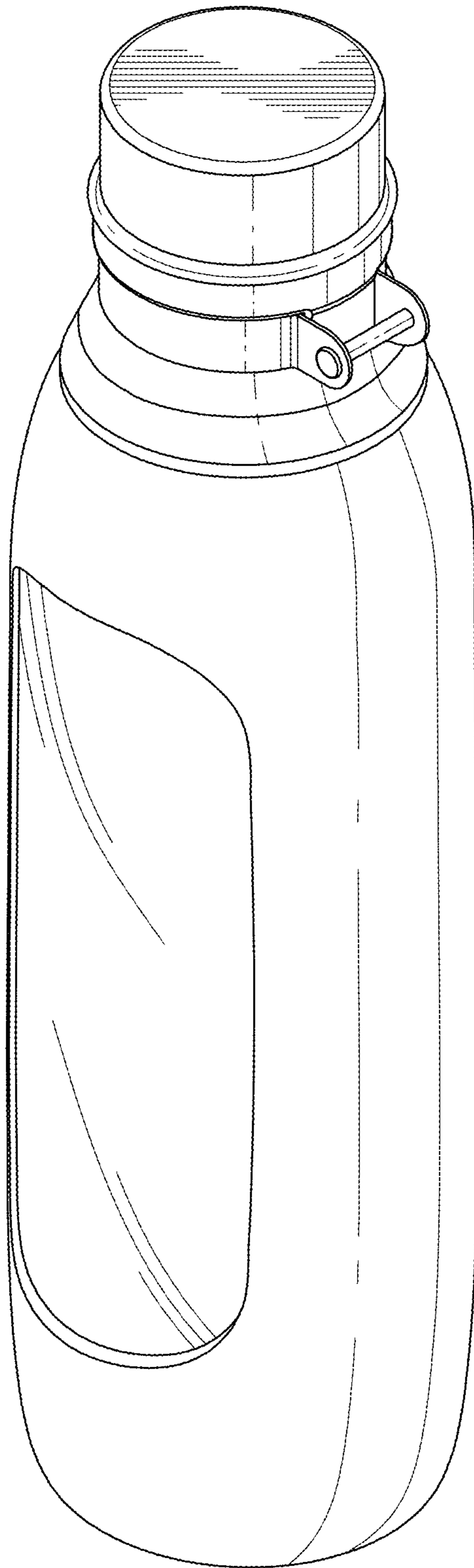


FIG. 1

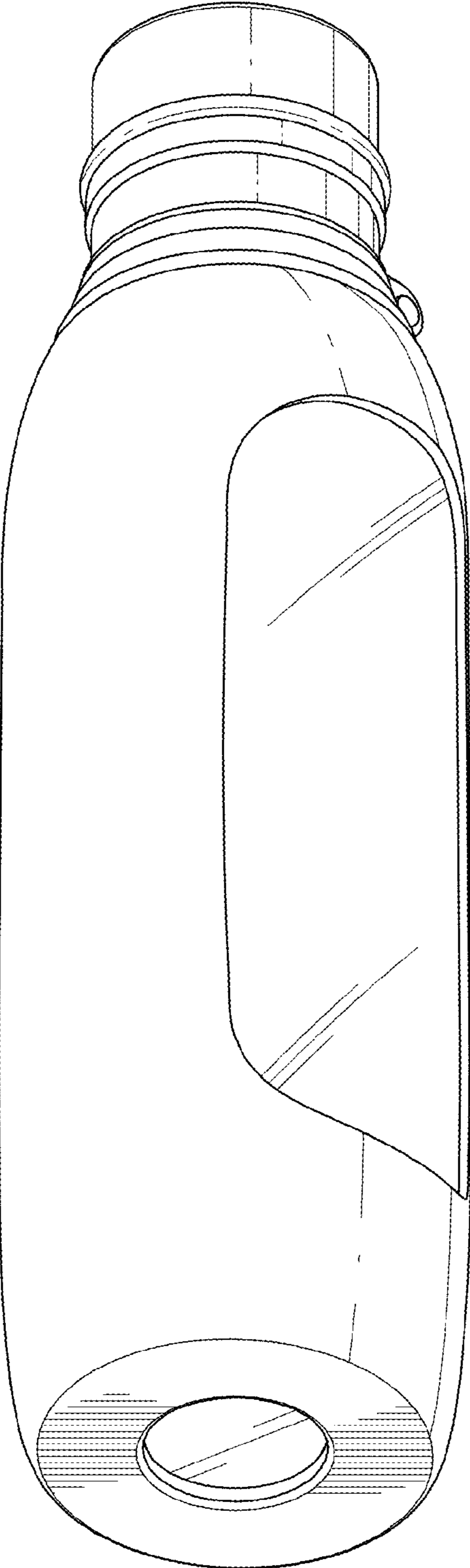


FIG. 2

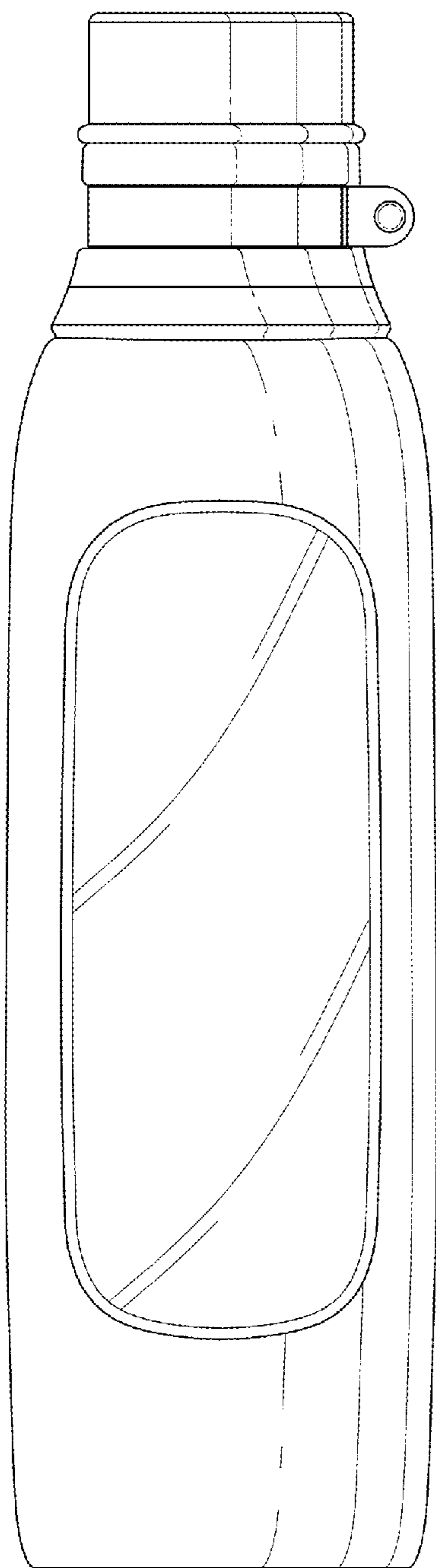


FIG. 3

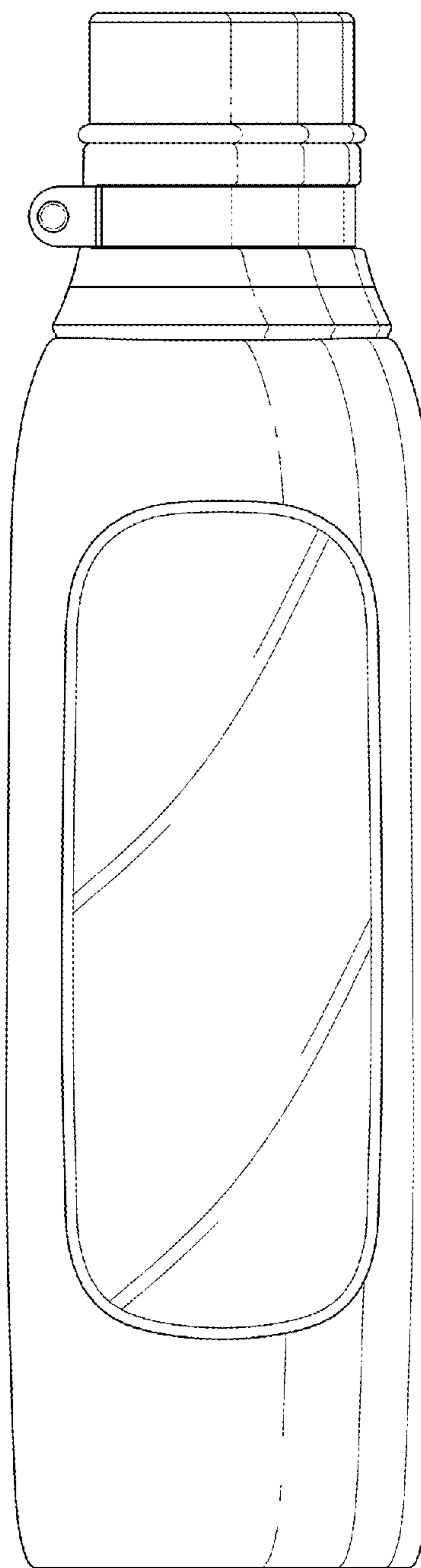


FIG. 4

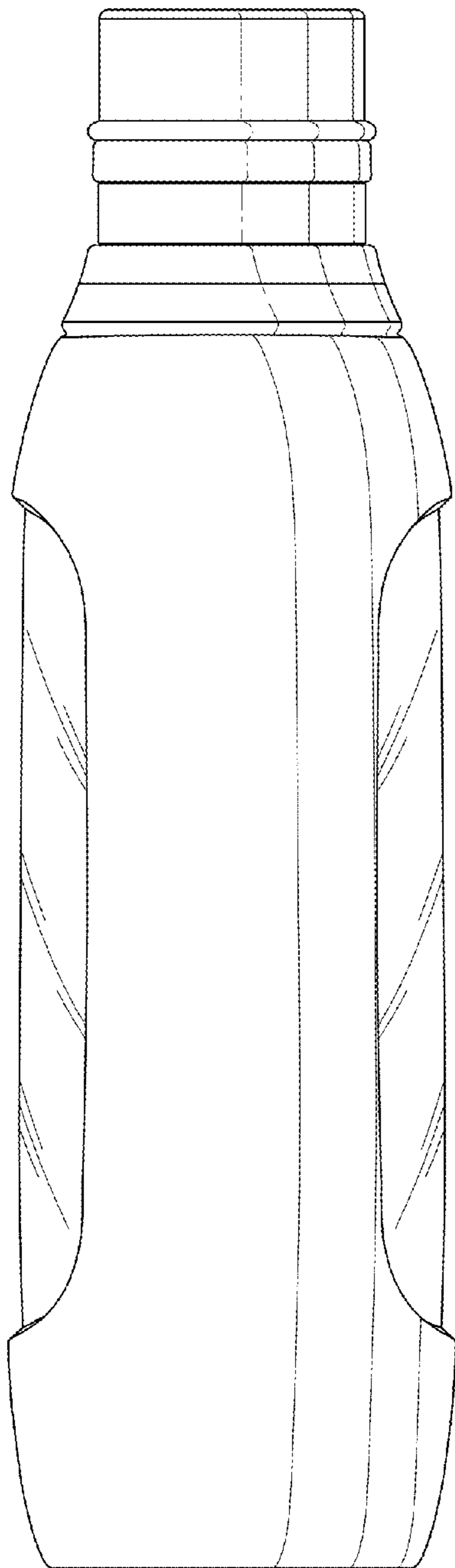


FIG. 5

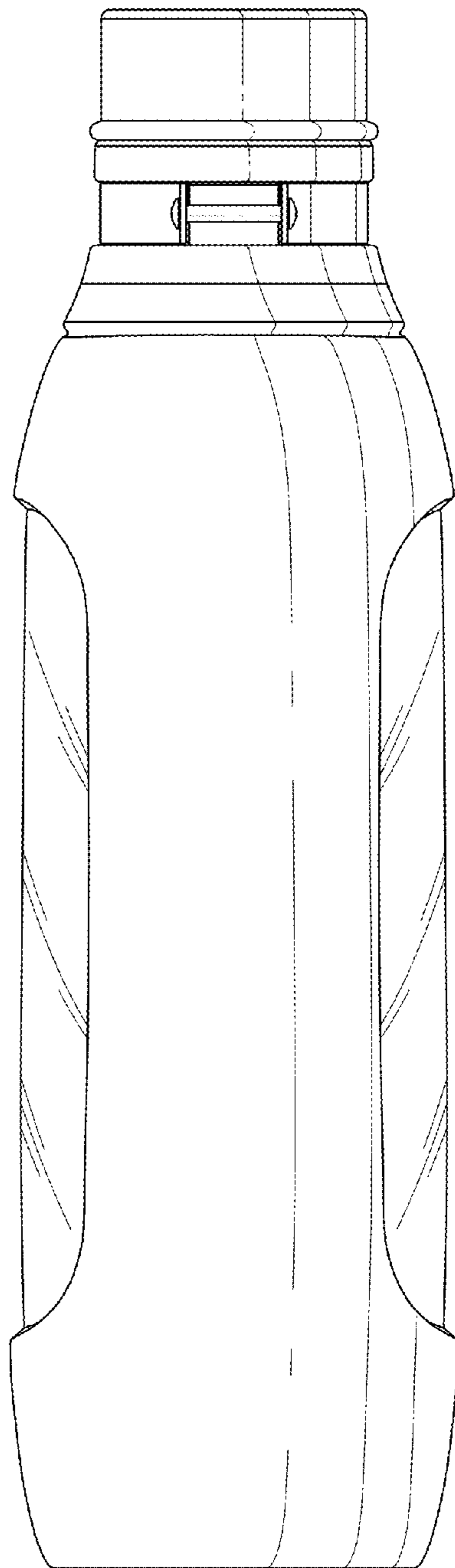


FIG. 6

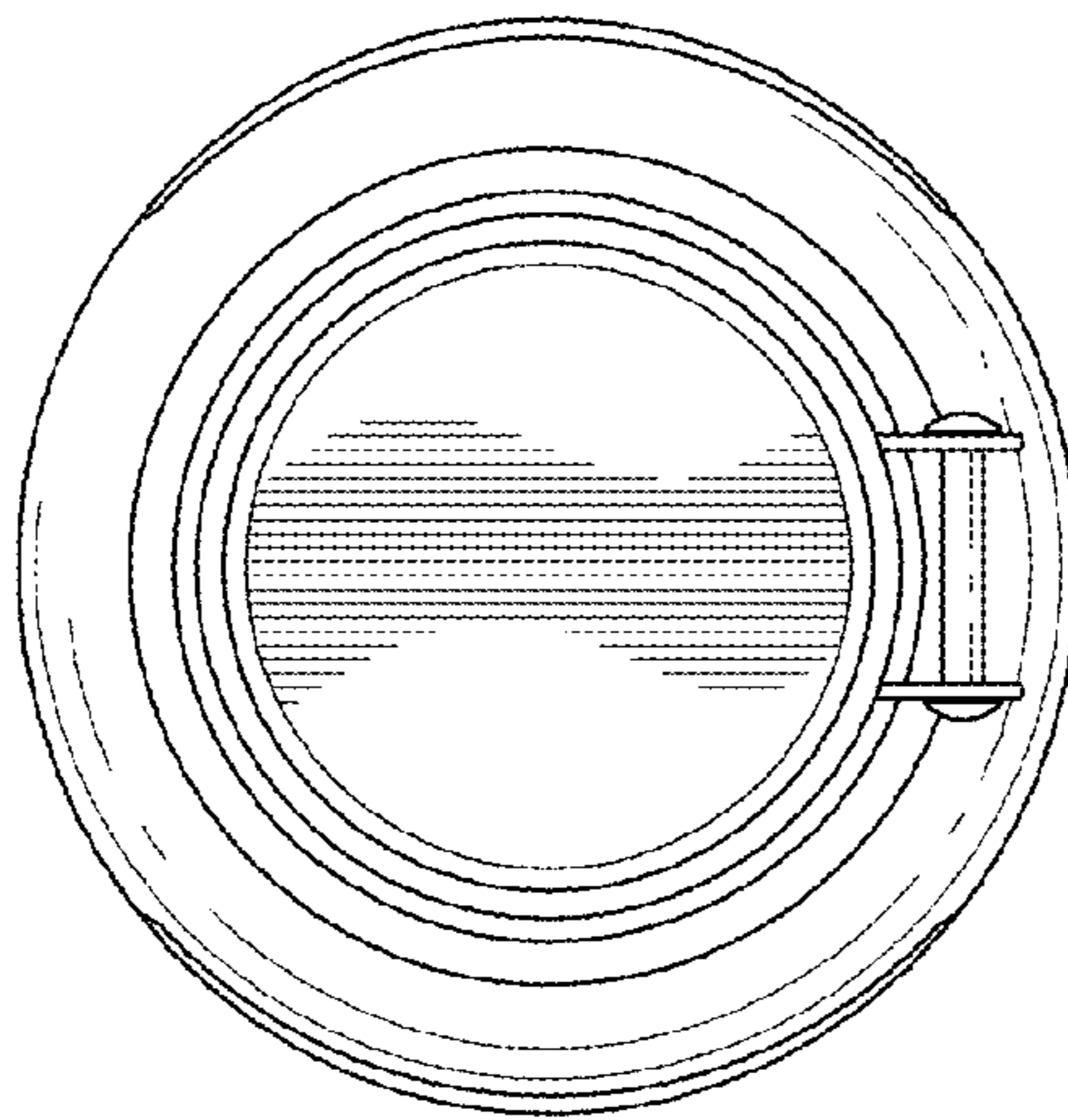


FIG. 7

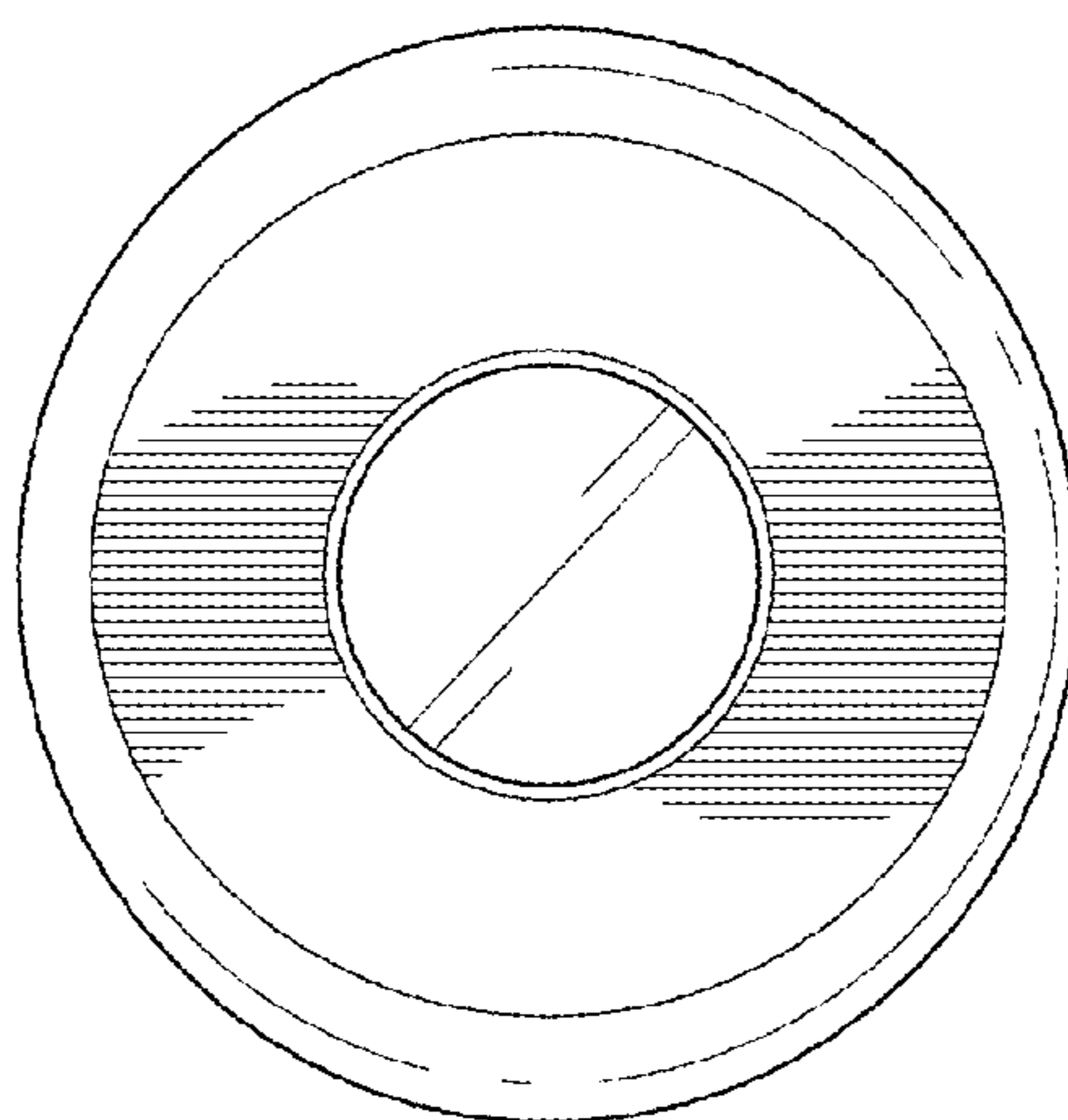


FIG. 8

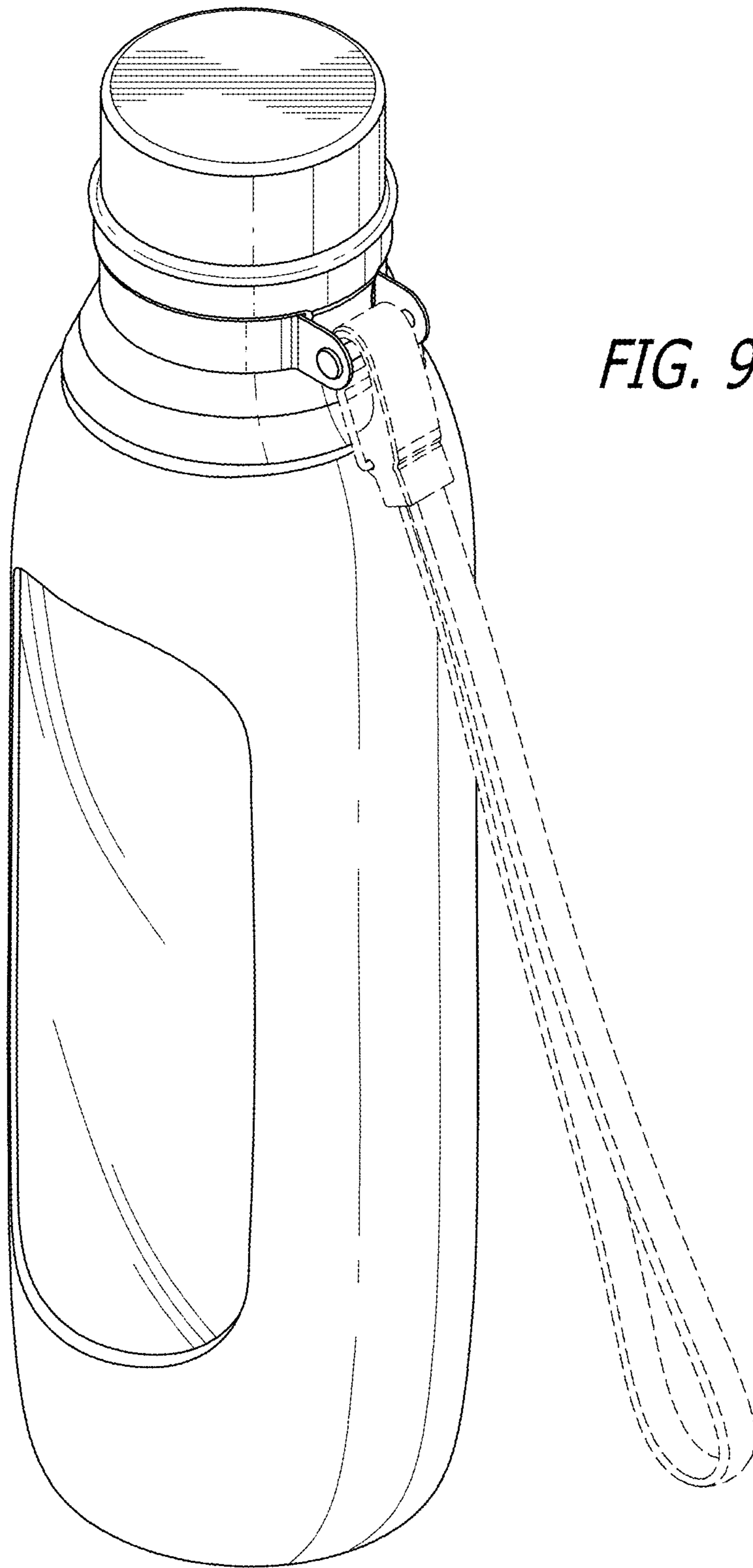


FIG. 9

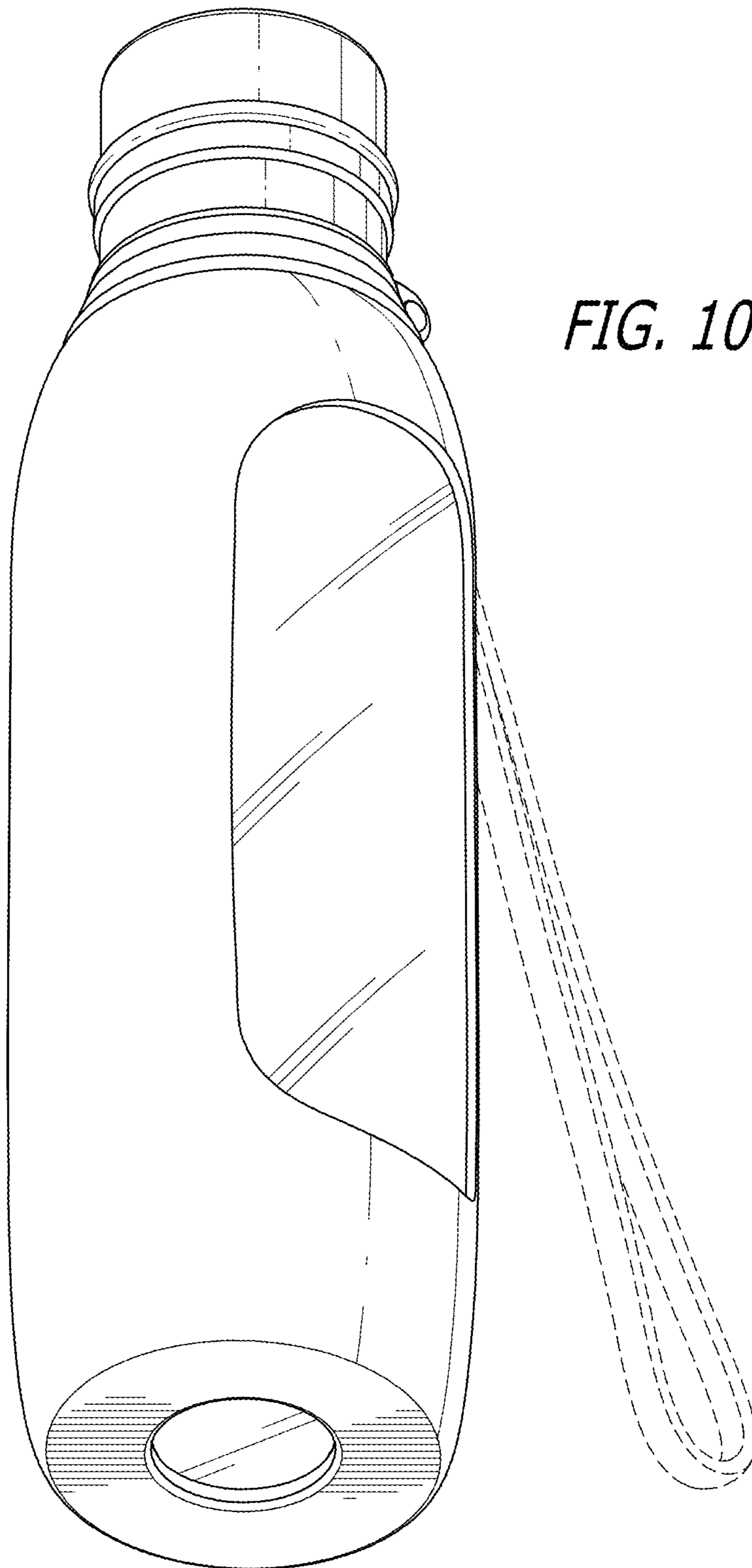


FIG. 10

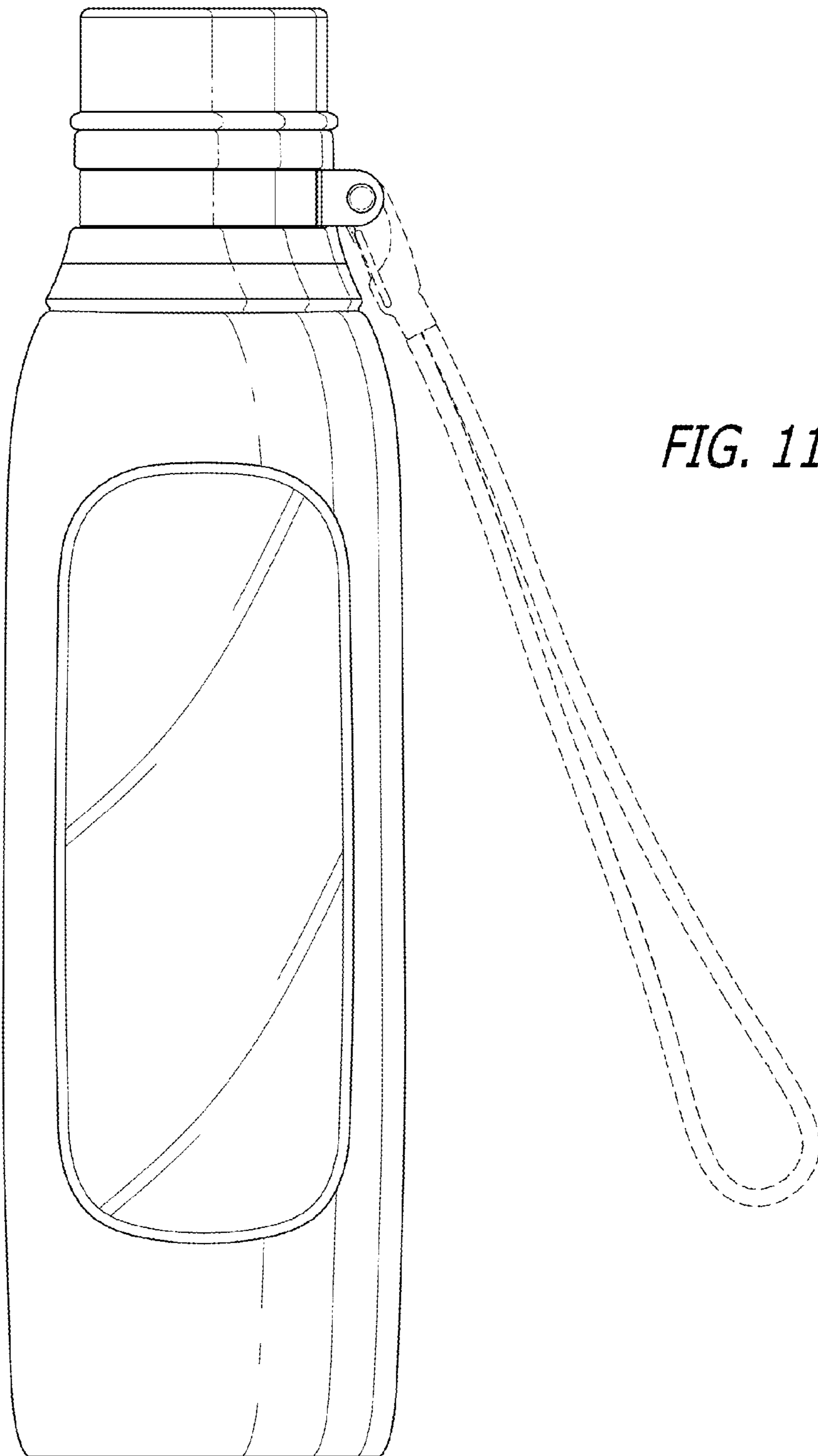
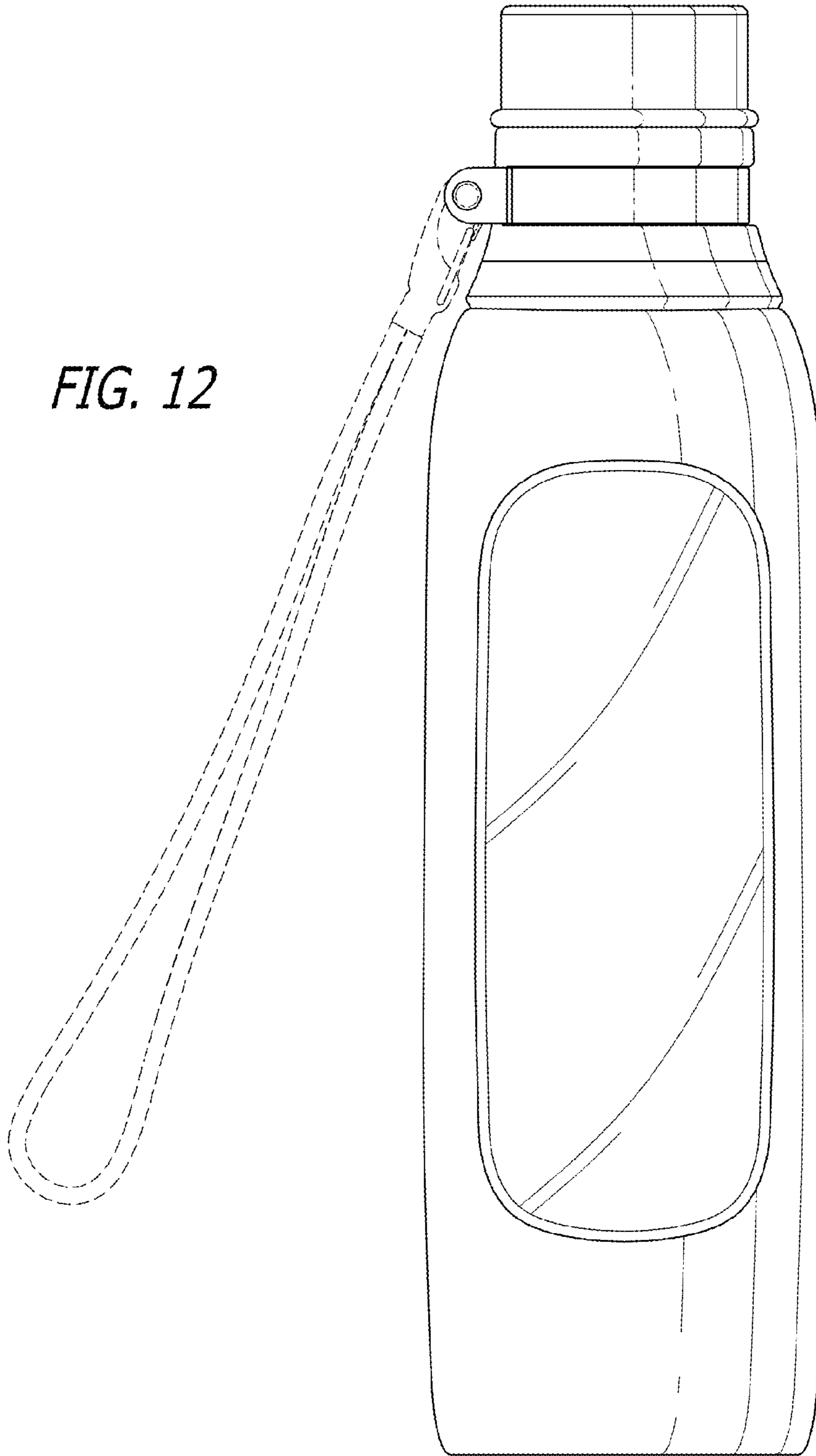


FIG. 11

FIG. 12



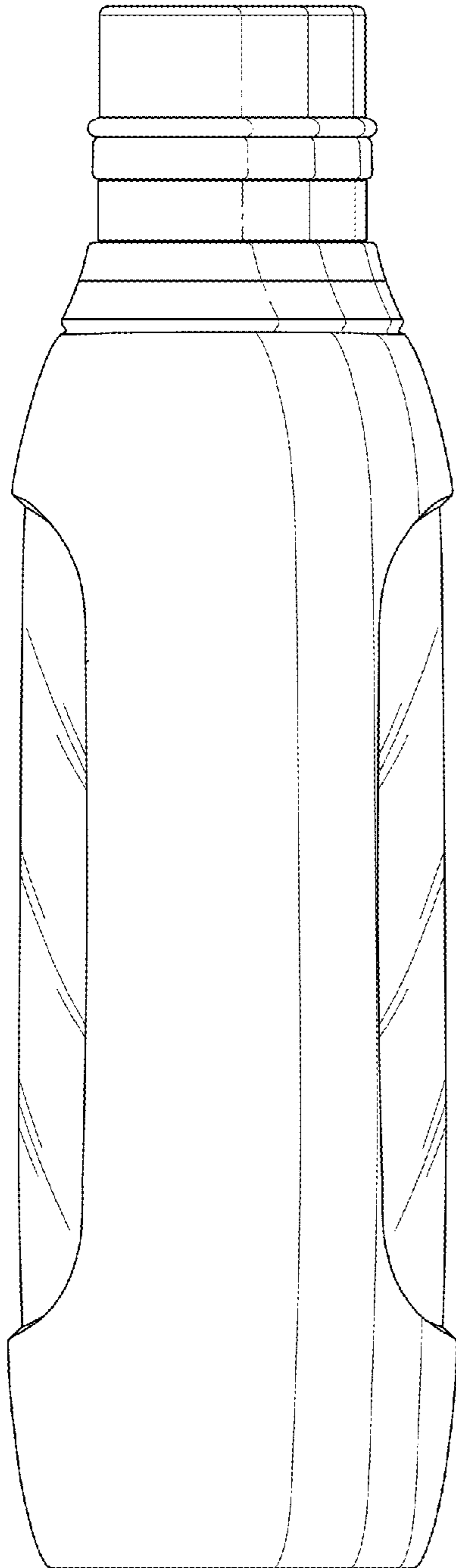


FIG. 13

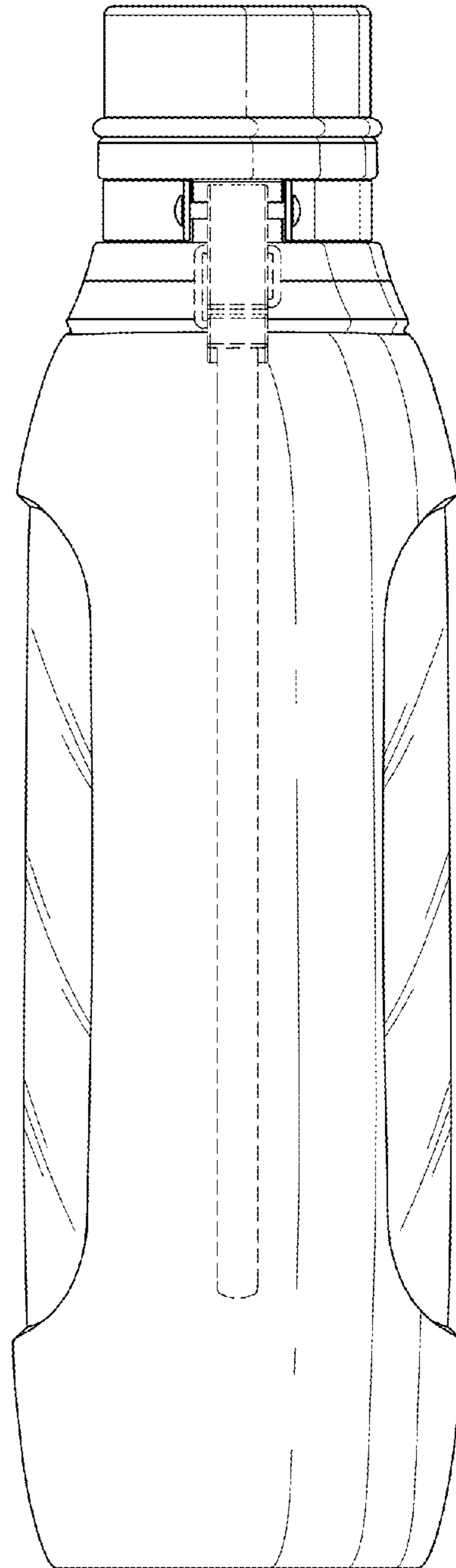


FIG. 14

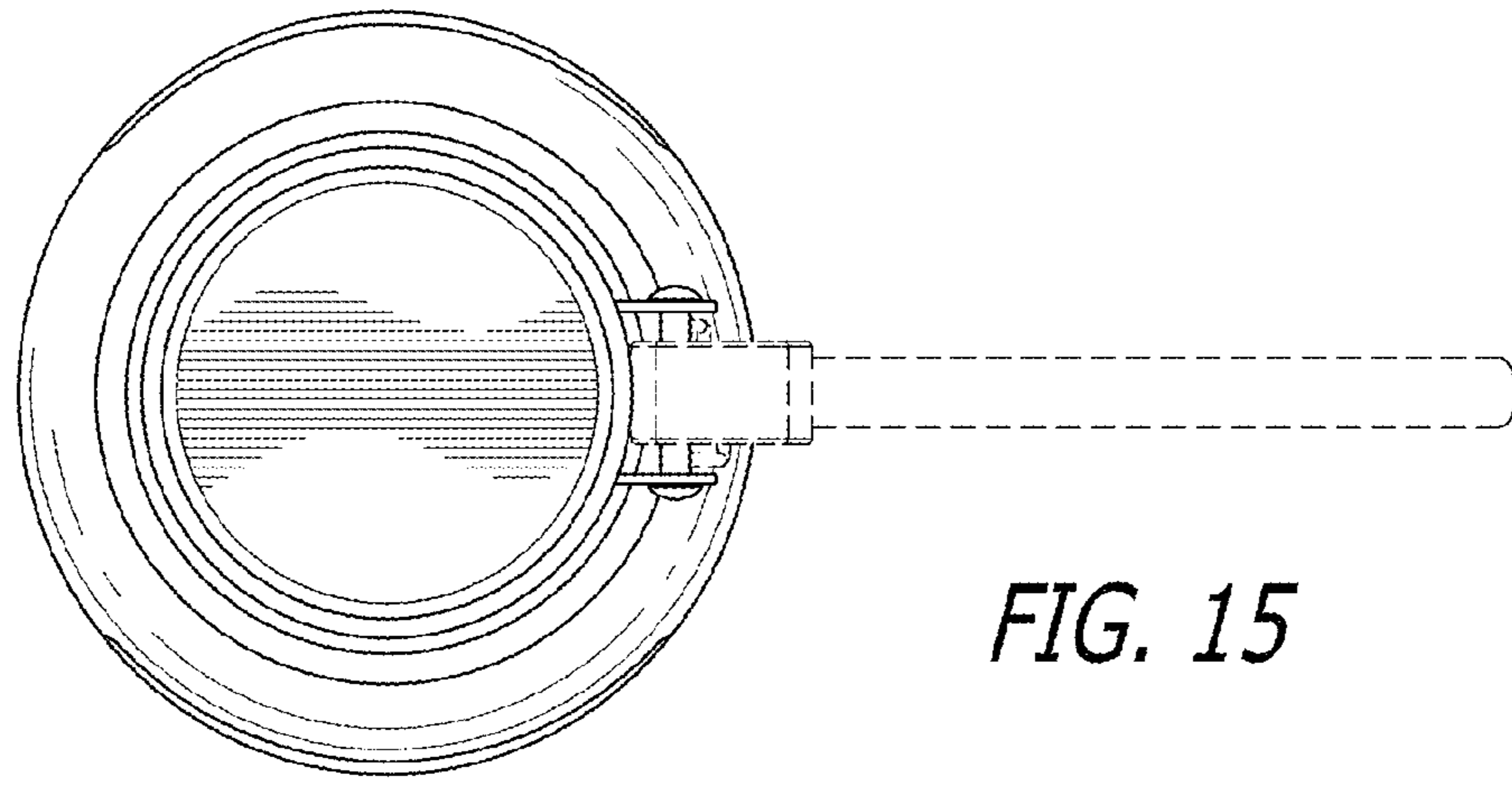


FIG. 15

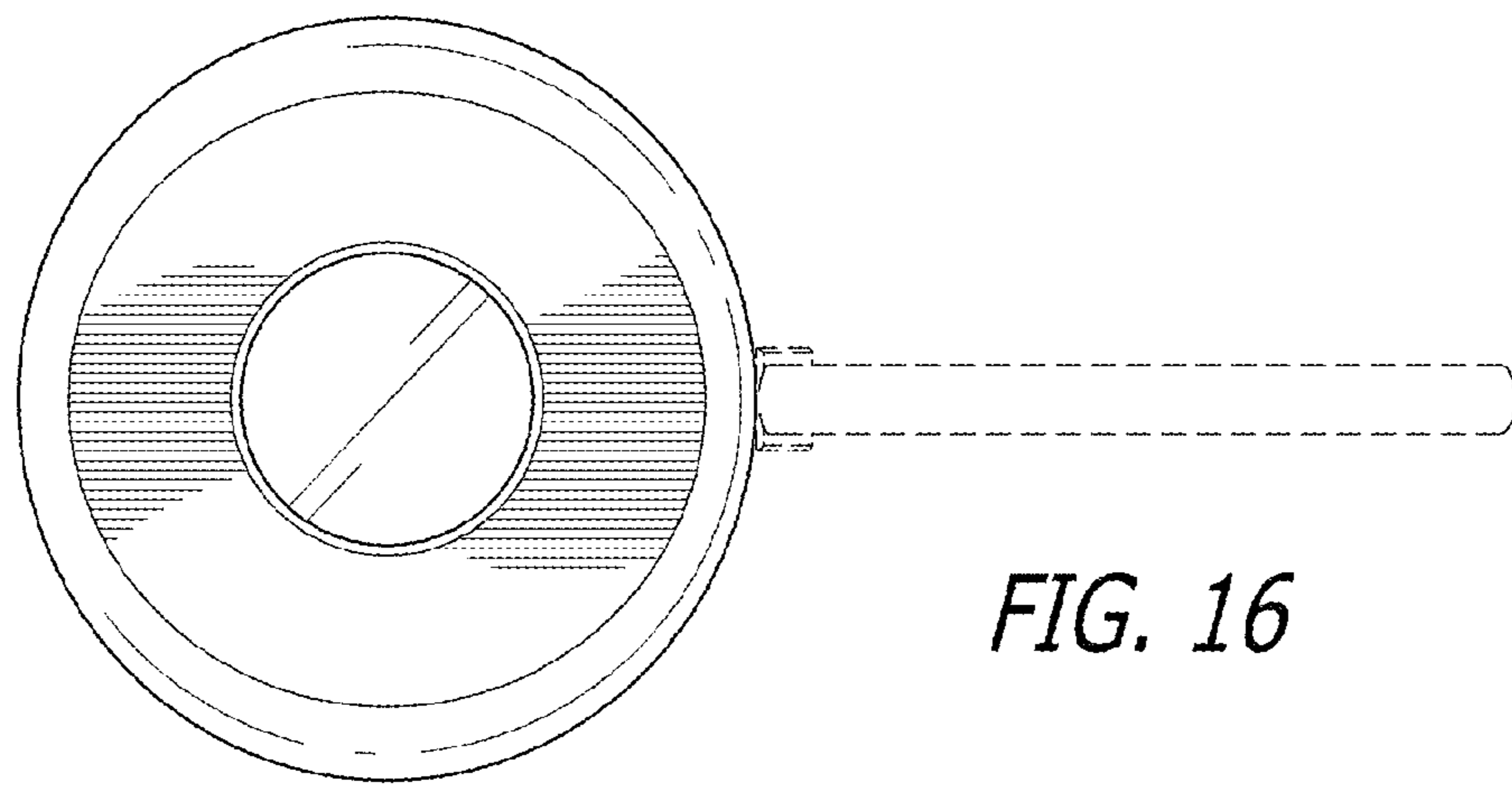


FIG. 16