

US00D724894S

(12) **United States Design Patent**
Brosius

(10) **Patent No.:** **US D724,894 S**

(45) **Date of Patent:** **** Mar. 24, 2015**

(54) **DAILY WATER INTAKE TRACKING BOTTLE**

(71) Applicant: **Ellen Brosius**, Columbus, OH (US)

(72) Inventor: **Ellen Brosius**, Columbus, OH (US)

(**) Term: **14 Years**

(21) Appl. No.: **29/479,132**

(22) Filed: **Jan. 13, 2014**

(51) **LOC (10) Cl.** **07-01**

(52) **U.S. Cl.**
USPC **D7/510**

(58) **Field of Classification Search**

CPC A47G 23/16; B65D 41/62; B65D 51/24;
B65D 47/04

USPC D7/300, 300.1, 302, 312, 313, 317, 321,
D7/396.1, 396.2, 397, 398, 500, 505, 507,
D7/509, 510, 511, 538, 560, 562, 565, 589,
D7/601, 602, 608, 619.1; D9/417, 434,
D9/435, 438, 439, 440, 447, 516, 519, 525,
D9/547, 549, 559, 715, 719, 738, 751;
215/230, 258, 306, 387, 388, 389;
220/592.16, 592.17, 703, 705,
220/713-715, 718

See application file for complete search history.

(56) **References Cited**

U.S. PATENT DOCUMENTS

D221,886 S * 9/1971 Gruett D15/150
D272,139 S * 1/1984 Boughton D7/510
D496,559 S * 9/2004 Bodum D7/510

D644,489 S * 9/2011 Trombly D7/510
8,051,997 B2 * 11/2011 Buckley 215/230
D650,629 S * 12/2011 Gilbert D7/392.1
D651,044 S * 12/2011 Gilbert D7/510
8,752,720 B1 * 6/2014 Habig et al. 215/306
2008/0087624 A1 * 4/2008 Buckley 215/230

* cited by examiner

Primary Examiner — Susan Bennett Hattan

Assistant Examiner — Leanne Was

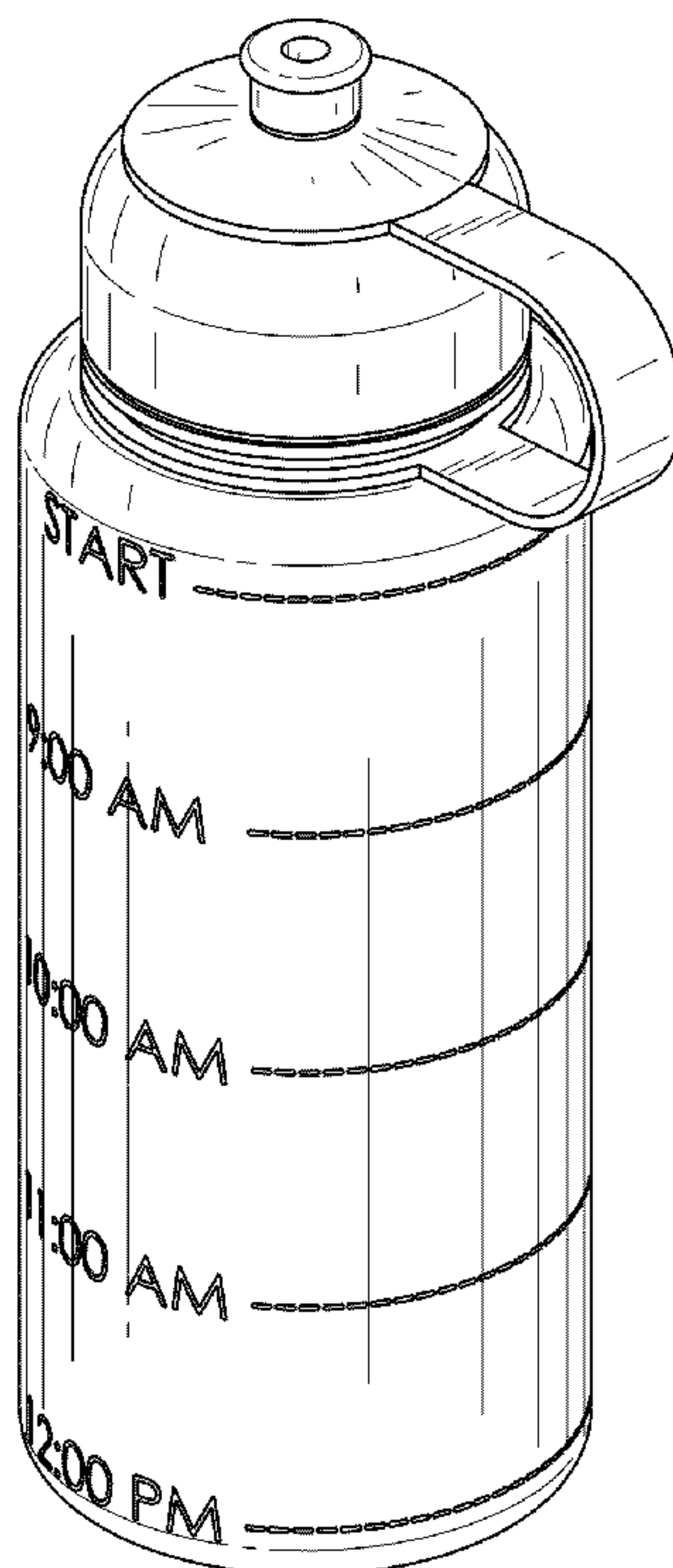
(57) **CLAIM**

The ornamental design for a daily water intake tracking bottle, as shown and described.

DESCRIPTION

FIG. 1 is a perspective front view of a daily water intake tracking bottle;
FIG. 2 is a front elevation view of the daily water intake tracking bottle;
FIG. 3 is a rear elevation view of the daily water intake tracking bottle;
FIG. 4 is a left elevation view of the daily water intake tracking bottle;
FIG. 5 is a right elevation view of the daily water intake tracking bottle;
FIG. 6 is a top elevation view of the daily water intake tracking bottle; and,
FIG. 7 is a bottom elevation view of the daily water intake tracking bottle.

1 Claim, 4 Drawing Sheets



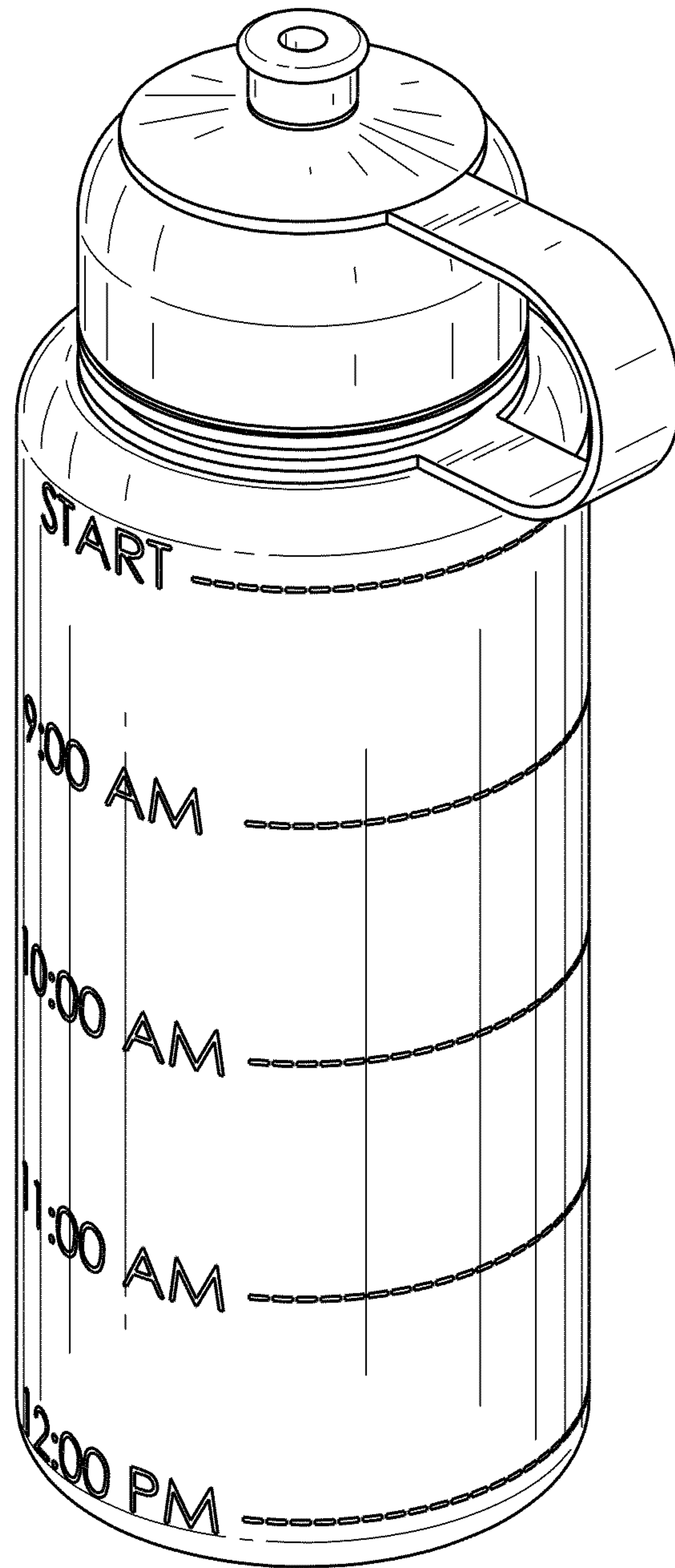


FIG. 1

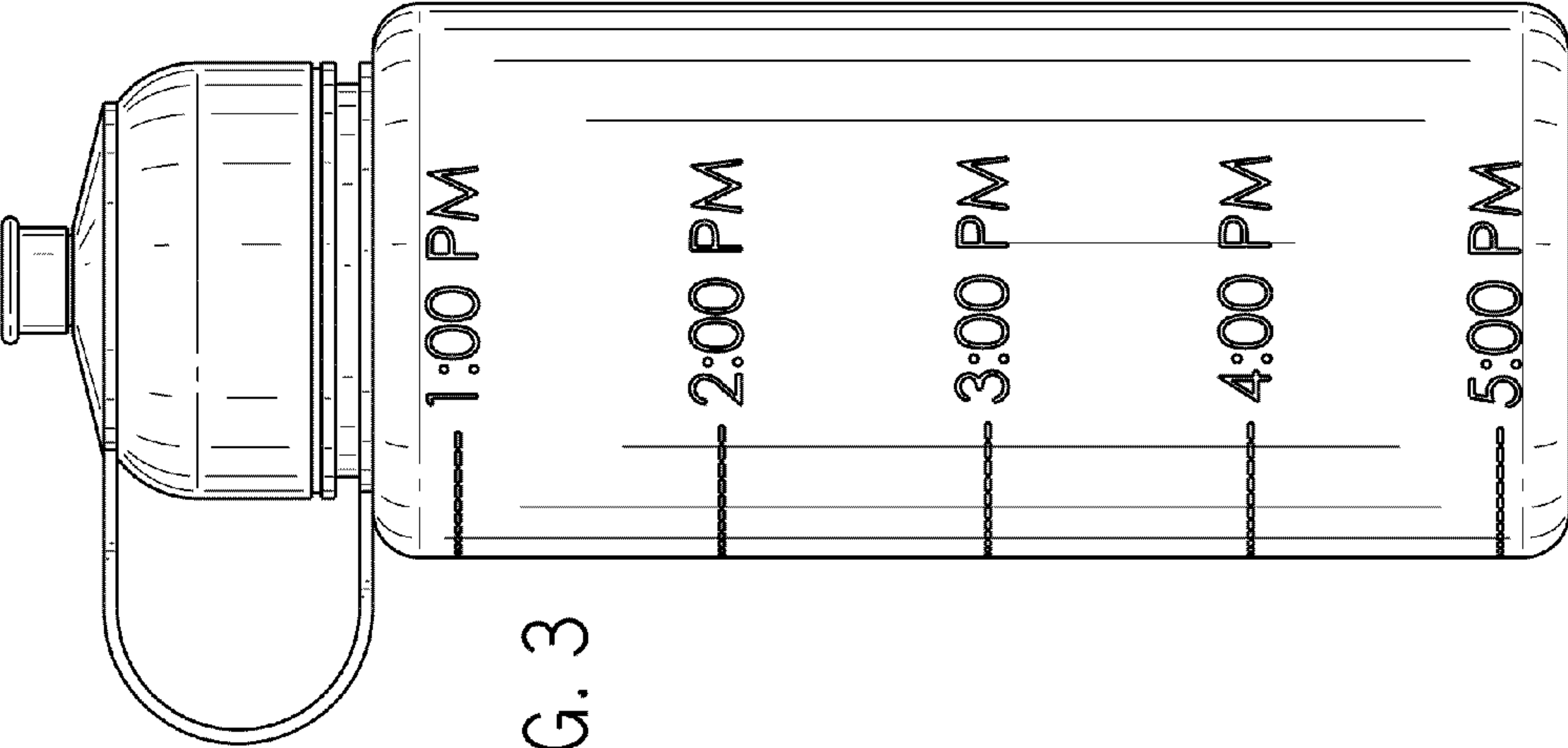


FIG. 3

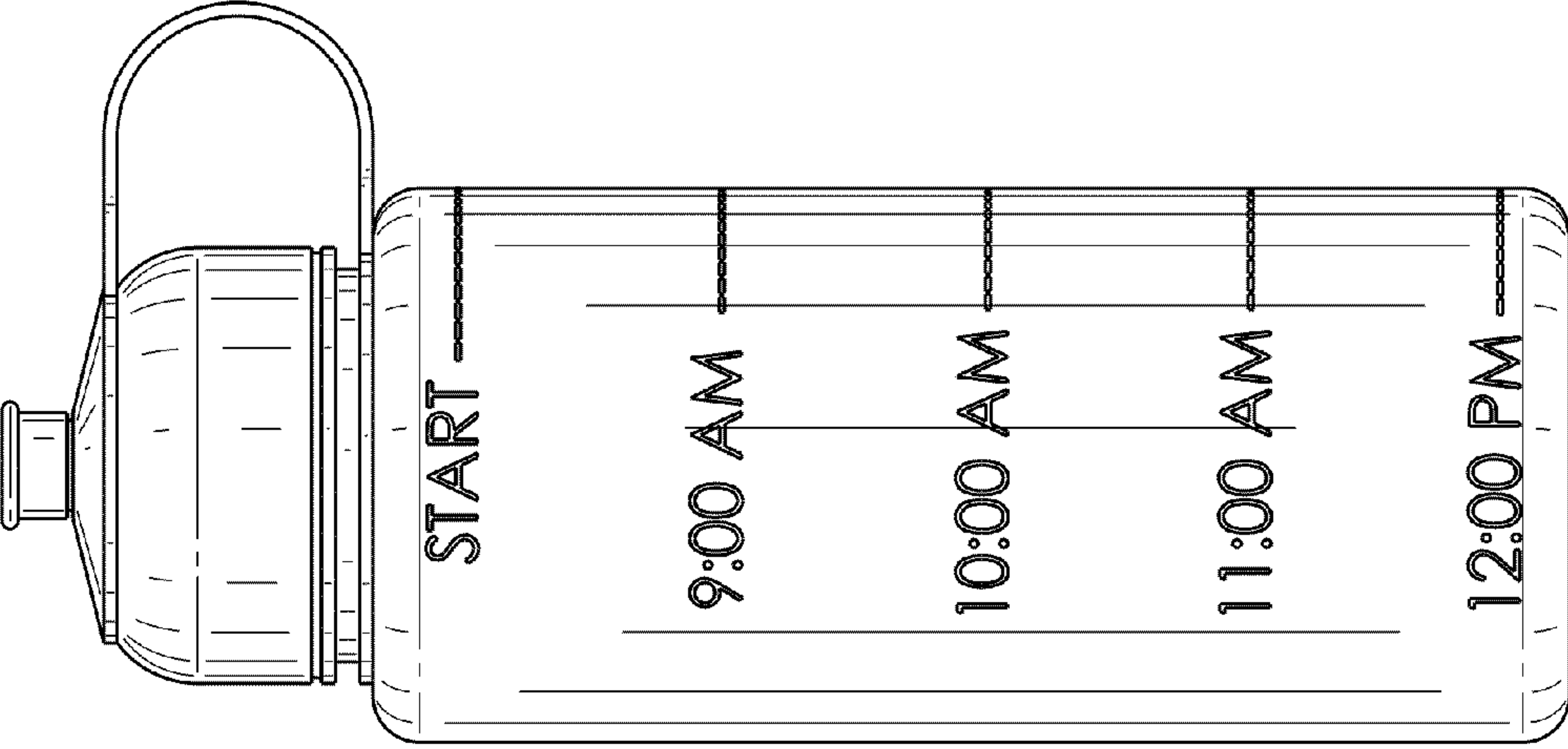


FIG. 2

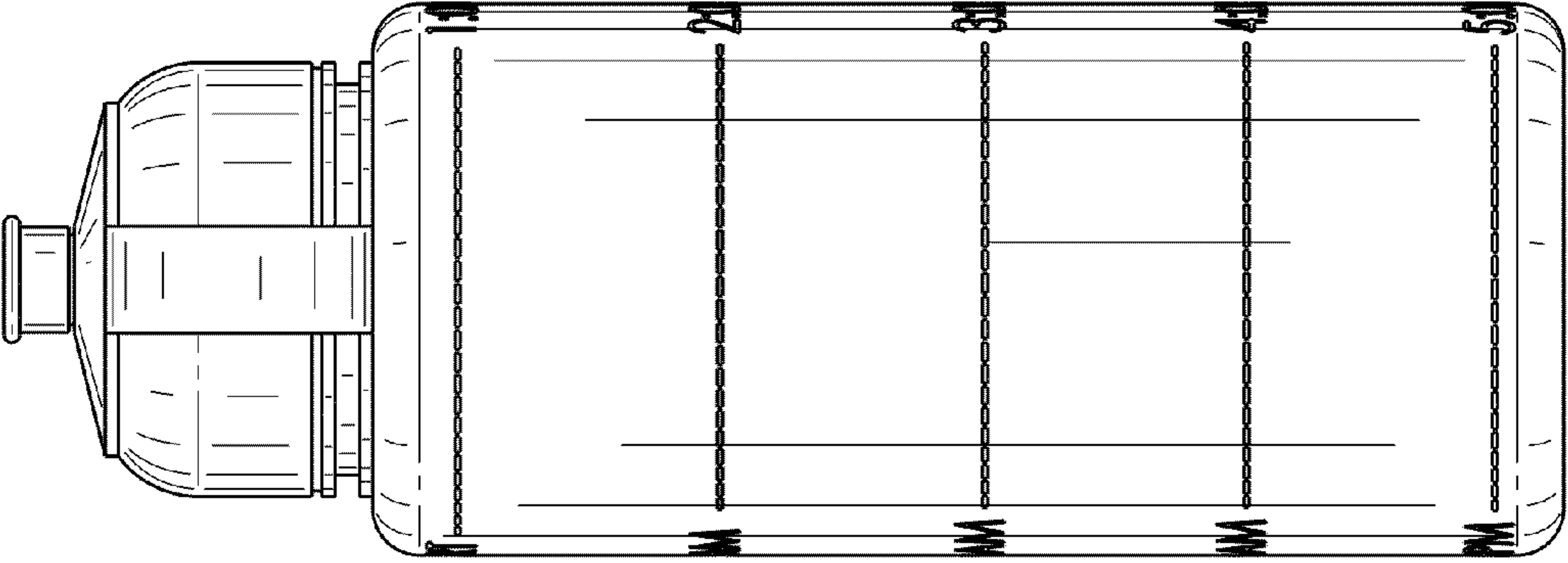


FIG. 5

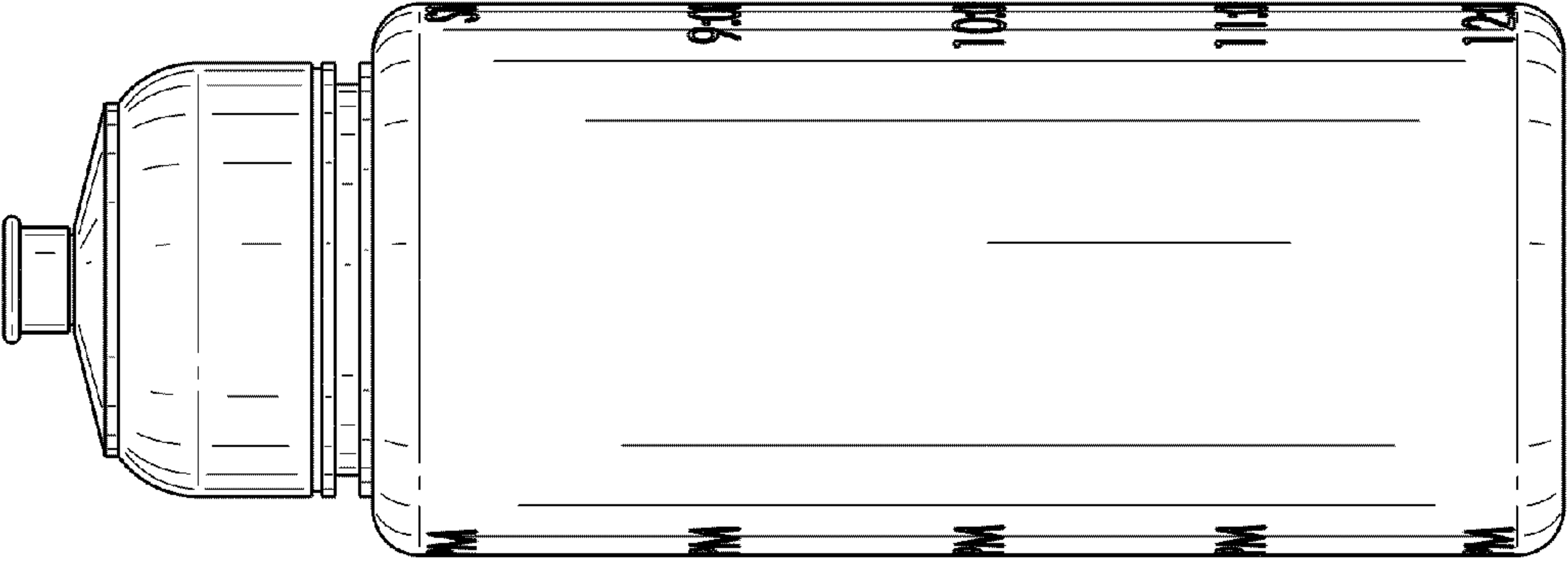


FIG. 4

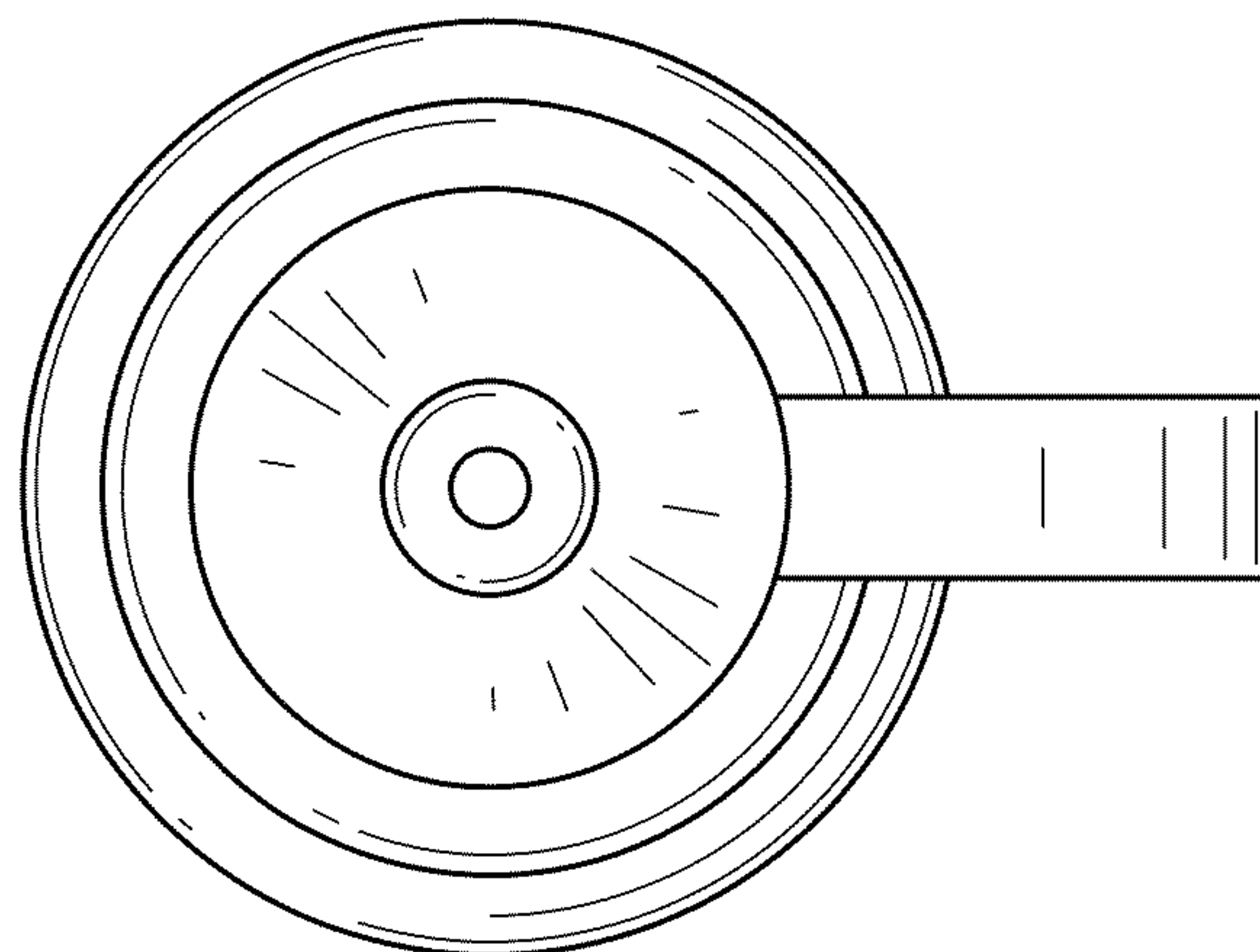


FIG. 6

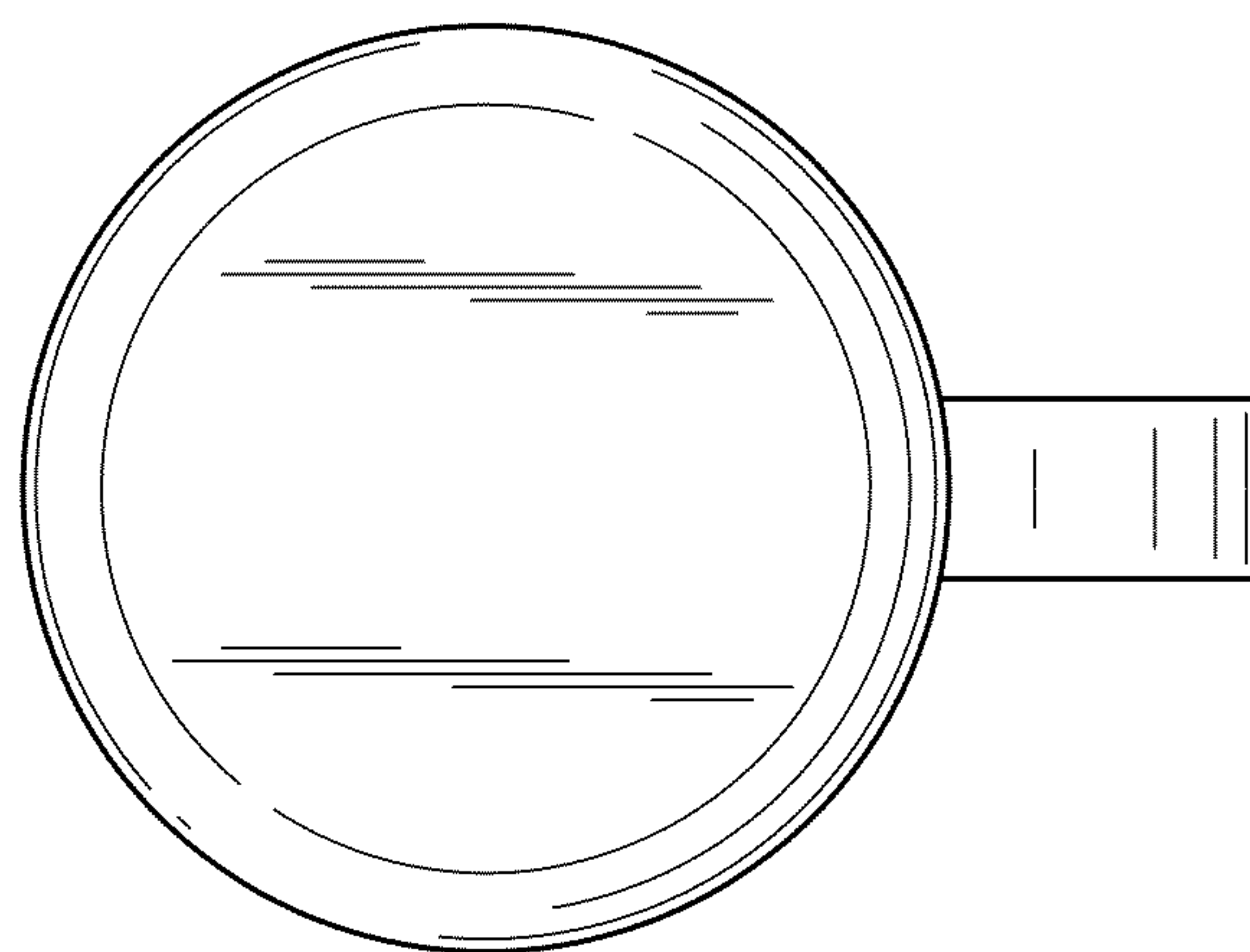


FIG. 7