



US00D724892S

(12) **United States Design Patent**
Gonzalez-Quirós

(10) **Patent No.:** **US D724,892 S**

(45) **Date of Patent:** **** Mar. 24, 2015**

(54) **COOLER FOR WINE/WINE POURER**

(71) Applicant: **Find It Import Export, S.L.L.**, Meres Siero (Asturias) (ES)

(72) Inventor: **Santiago Teleña Gonzalez-Quirós**, Meres-Siero (ES)

(73) Assignee: **Find It Import Export, S.L.L.**, Meres Siero (ES)

(**) Term: **14 Years**

(21) Appl. No.: **29/459,979**

(22) Filed: **Jul. 5, 2013**

(30) **Foreign Application Priority Data**

Jan. 8, 2013 (EM) 001356737-0001

(51) **LOC (10) Cl.** **07-99**

(52) **U.S. Cl.**
USPC **D7/397; D7/213; D24/224**

(58) **Field of Classification Search**
USPC D7/700, 397, 399, 398, 400, 213;
426/77; 99/323; D9/440; 261/DIG. 75;
222/190; D24/224, 222
See application file for complete search history.

(56) **References Cited**

U.S. PATENT DOCUMENTS

D263,715 S * 4/1982 Walter D15/199
4,347,878 A * 9/1982 Schofield 141/300

4,690,153 A * 9/1987 Losada et al. 600/576
4,967,763 A * 11/1990 Nugent et al. 600/576
6,595,109 B2 * 7/2003 Liebmann, Jr. 99/323
D614,443 S * 4/2010 Federighi D7/398
D640,796 S * 6/2011 Wilkinson D24/224
D643,934 S * 8/2011 Wilkinson D24/224
D663,580 S * 7/2012 Vagnby D7/400
8,251,352 B2 * 8/2012 Chiorazzi et al. 261/76
D677,524 S * 3/2013 Agarwal et al. D7/398
D677,525 S * 3/2013 Luebke D7/398
D687,677 S * 8/2013 Sturgess D7/510
8,517,350 B2 * 8/2013 Tsai et al. 261/76
D696,939 S * 1/2014 Federighi D9/440

* cited by examiner

Primary Examiner — Marianne Pandozzi

(74) *Attorney, Agent, or Firm* — Knobbe Martens Olson & Bear LLP

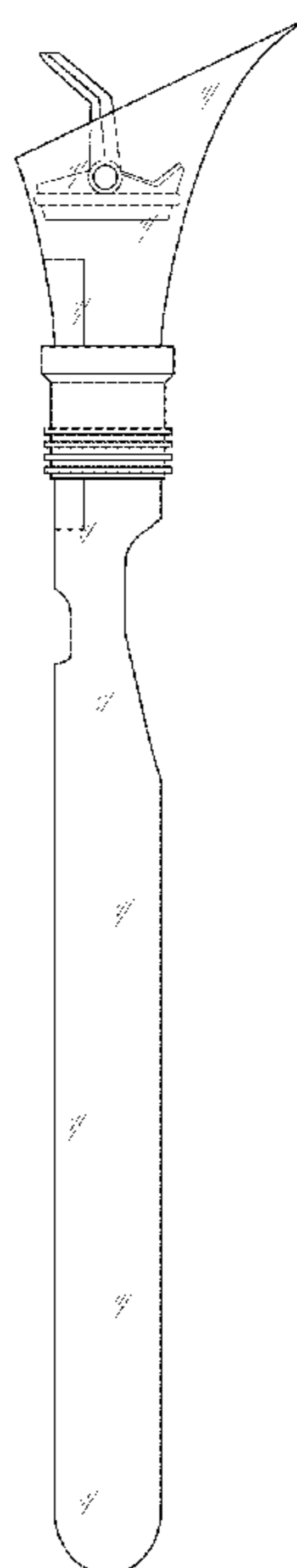
(57) **CLAIM**

The ornamental design for the cooler for wine/wine pourer, as shown.

DESCRIPTION

FIG. 1 is a front elevational view of a cooler for wine/wine pourer according to the new design.
FIG. 2 is a rear elevational view thereof.
FIG. 3 is a left side elevational view thereof.
FIG. 4 is a right side elevational view thereof.
FIG. 5 is an enlarged top plan view thereof; and,
FIG. 6 is an enlarged bottom plan view thereof.

1 Claim, 3 Drawing Sheets



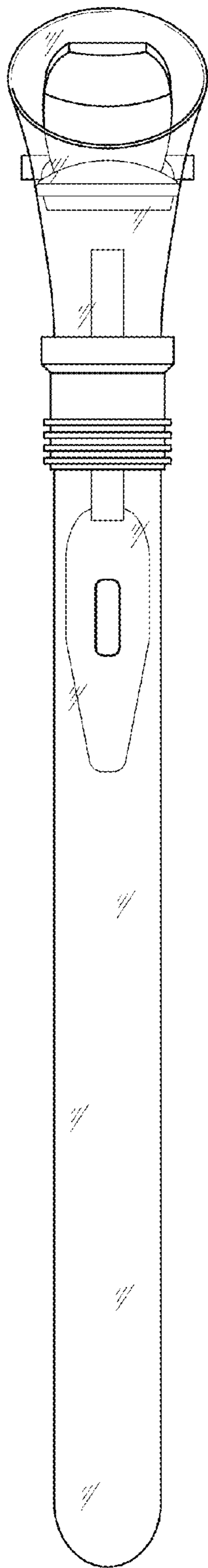


FIG. 1

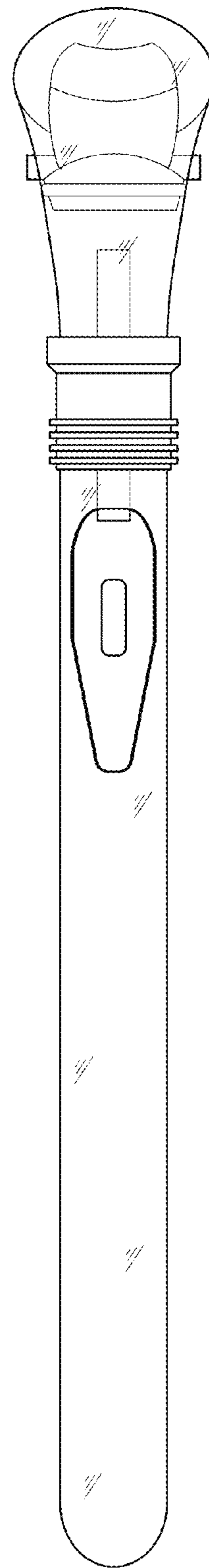


FIG. 2

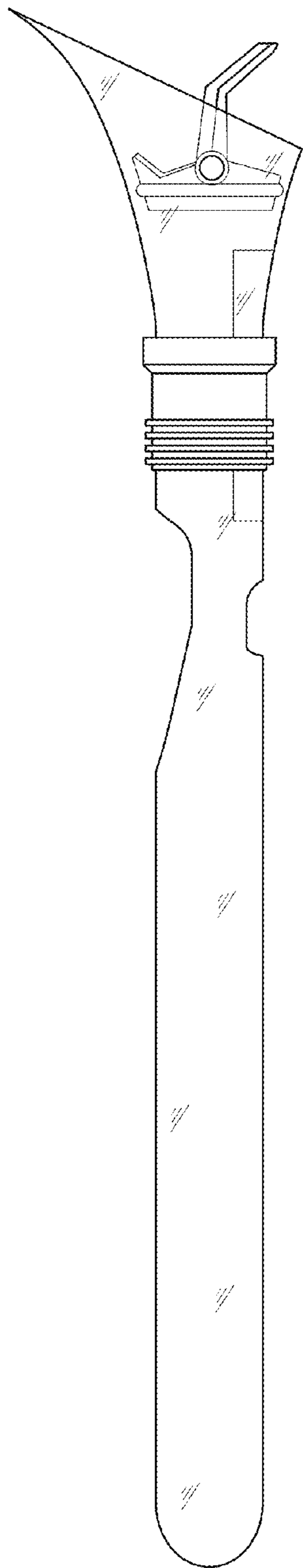


FIG. 3

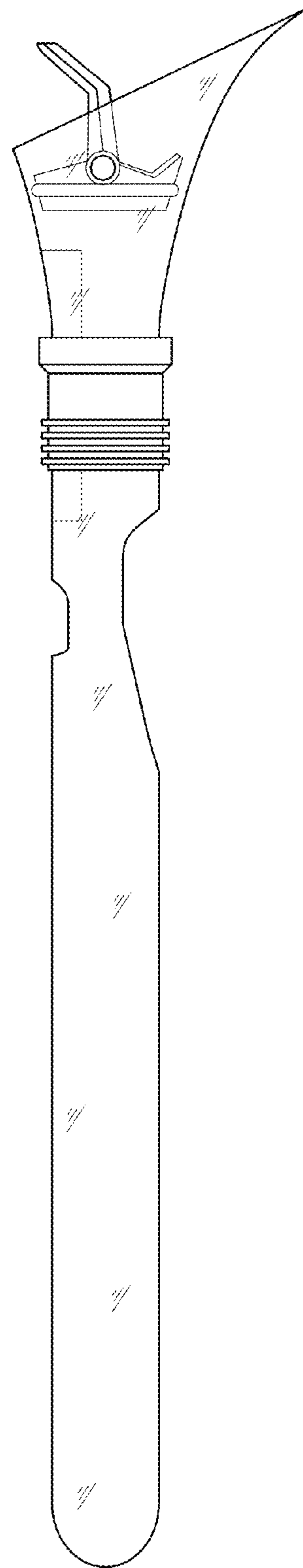


FIG. 4

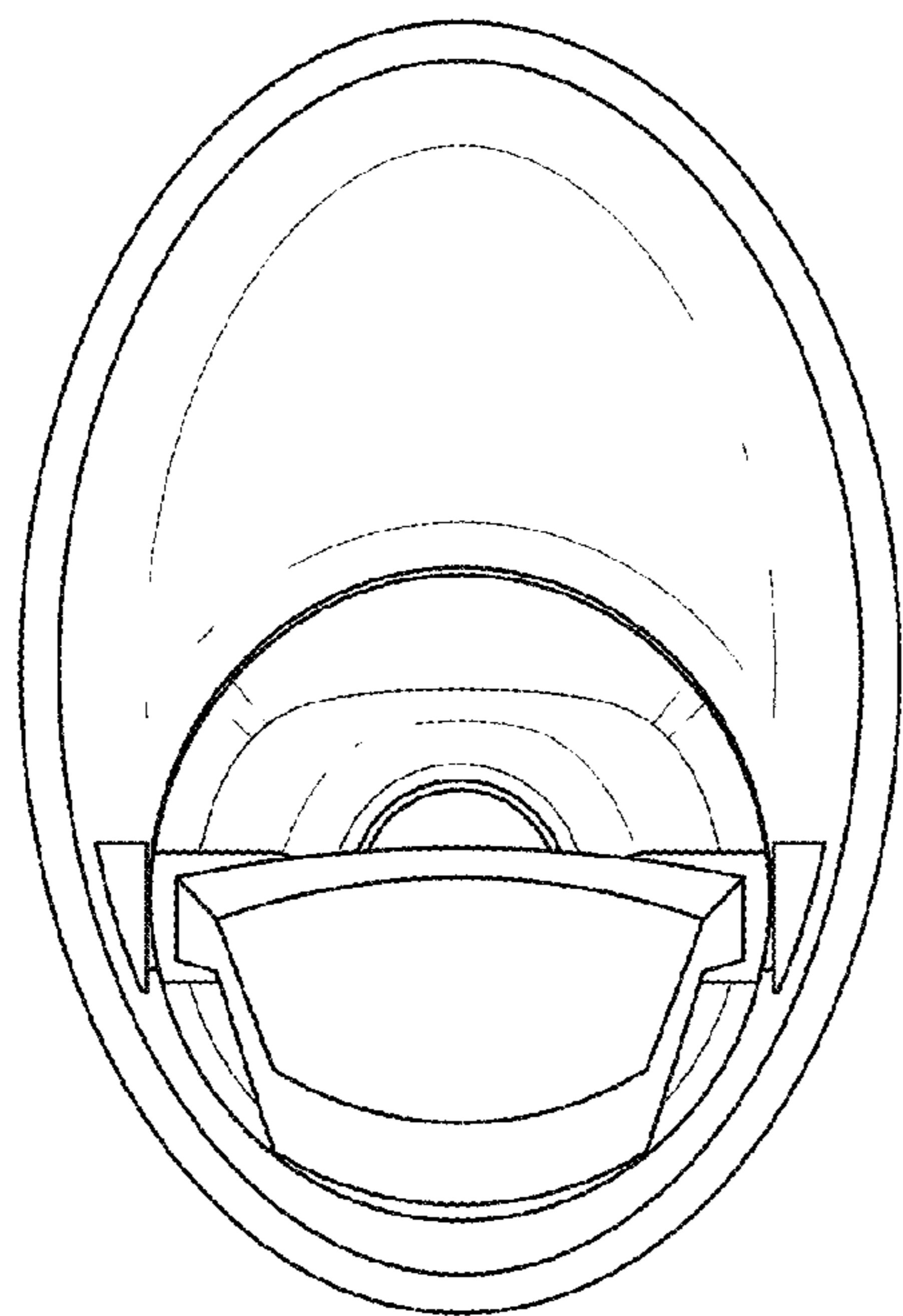


FIG. 5

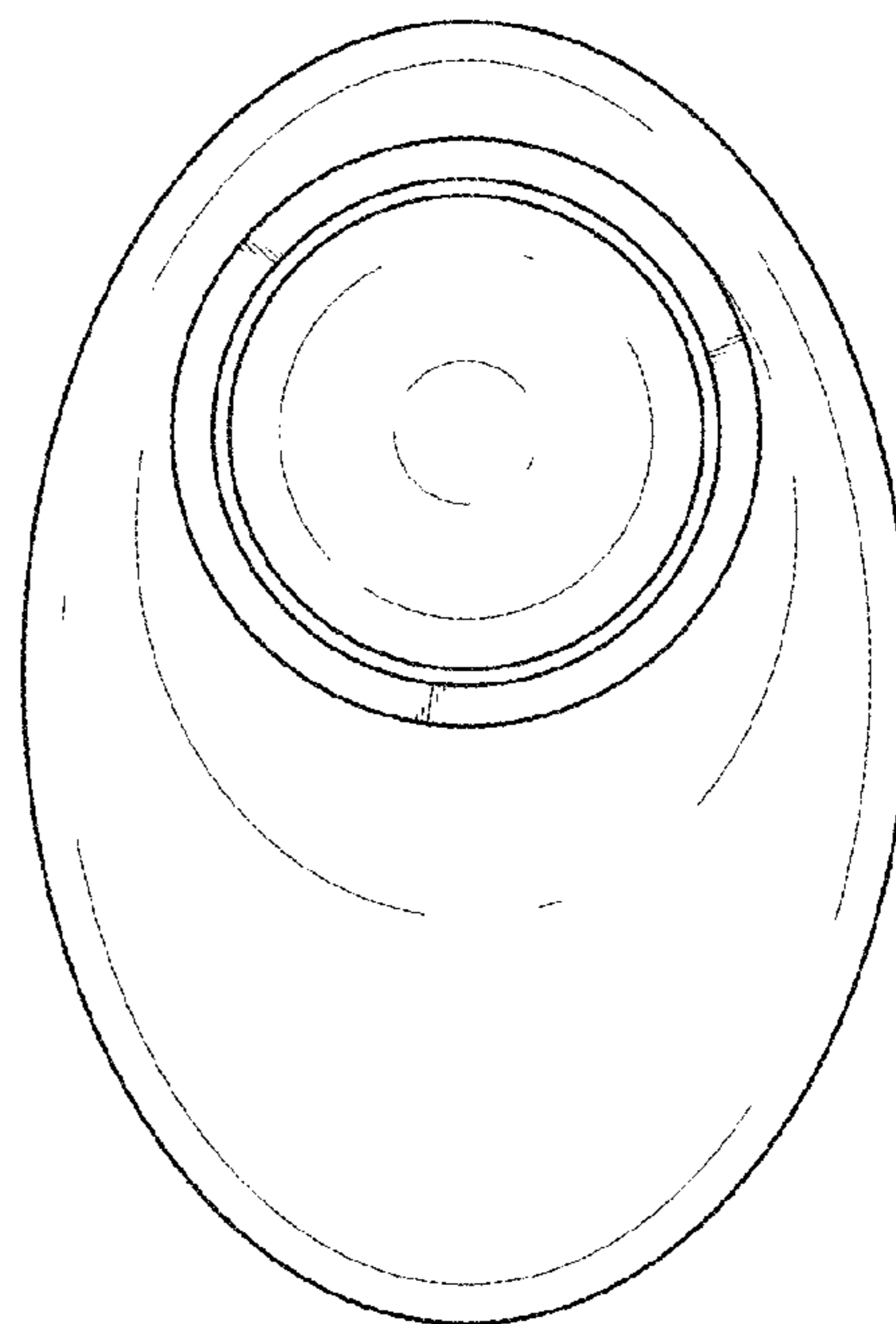


FIG. 6