



US00D724891S

(12) **United States Design Patent**
Capraro et al.

(10) **Patent No.:** **US D724,891 S**
(45) **Date of Patent:** **** Mar. 24, 2015**

- (54) **CONTAINER**
- (71) Applicant: **S.C. Johnson & Son, Inc.**, Racine, WI (US)
- (72) Inventors: **Peter I. Capraro**, San Francisco, CA (US); **Rishabh Singh**, Milwaukee, WI (US); **Allan Freas Velzy**, Boston, MA (US)
- (73) Assignee: **S.C. Johnson & Son, Inc.**, Racine, WI (US)
- (**) Term: **14 Years**
- (21) Appl. No.: **29/461,249**
- (22) Filed: **Jul. 19, 2013**
- (51) **LOC (10) Cl.** **07-01**
- (52) **U.S. Cl.**
USPC **D7/391; D7/387; D9/435**
- (58) **Field of Classification Search**
USPC D9/414-416, 423-427, 430-432, 434, D9/435; 206/508, 518, 505, 514; 220/657, 220/781, 23.6, 380; D7/392, 629, 391; D3/318
See application file for complete search history.

- D279,251 S 6/1985 Daenen et al.
 - 4,562,937 A 1/1986 Iyengar
 - 4,700,842 A 10/1987 Grusin
 - 4,742,935 A 5/1988 Schellenberg
 - 4,844,263 A 7/1989 Hadtke
 - 4,899,925 A 2/1990 Bowden et al.
 - 4,951,832 A 8/1990 Tenney et al.
 - 5,184,745 A 2/1993 Havens et al.
 - D333,615 S * 3/1993 Zutler D9/432
- (Continued)

FOREIGN PATENT DOCUMENTS

- GB D. 4021888 10/2011
- WO WO 2012/009035 A1 1/2012

OTHER PUBLICATIONS

Co-pending U.S. Appl. No. 13/946,513, filed Jul. 19, 2013.
(Continued)

Primary Examiner — Susan Bennett Hattan
Assistant Examiner — Brett Miller

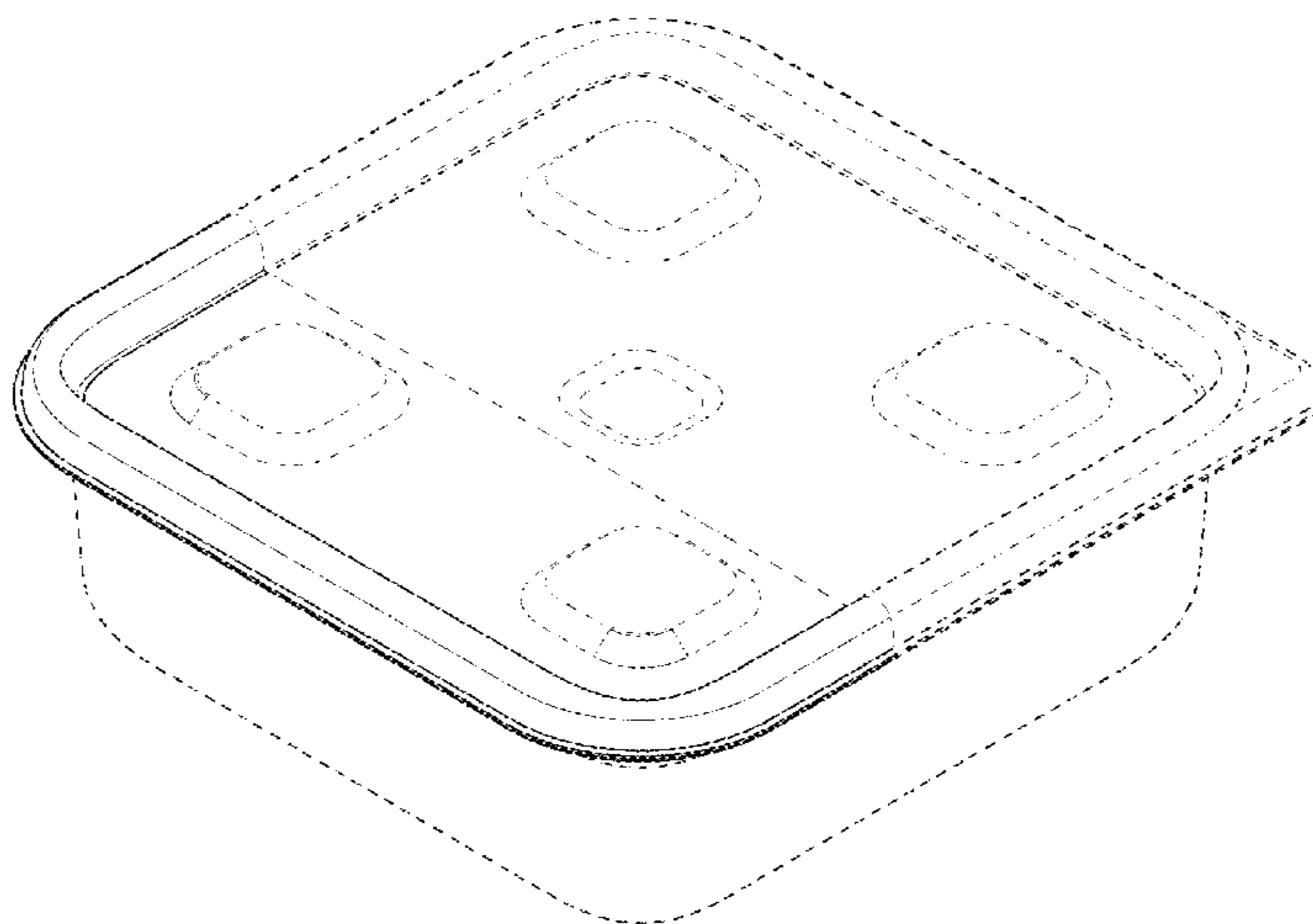
(57) **CLAIM**
The ornamental design for a container, as shown and described.

DESCRIPTION

FIG. 1 is a top perspective view of a container showing our new design;
FIG. 2 is a front view thereof;
FIG. 3 is a rear view thereof;
FIG. 4 is a right side view thereof;
FIG. 5 is a left side view thereof;
FIG. 6 is a top view thereof;
FIG. 7 is a bottom view thereof; and,
FIG. 8 is a bottom perspective view thereof.
The broken lines in the Figures show portions of the container which form no part of the claimed design. The dot-dash lines in the Figures show unclaimed boundaries: which form no part of the claimed design.

1 Claim, 8 Drawing Sheets

- (56) **References Cited**
- U.S. PATENT DOCUMENTS
- 1,542,115 A 6/1925 Weis
- 2,412,325 A 12/1946 Devine et al.
- 2,575,770 A 11/1951 Roop
- 2,606,586 A 8/1952 Hill
- 2,695,115 A 11/1954 Roop
- 3,117,692 A 1/1964 Carpenter et al.
- 3,262,602 A 7/1966 McConnell et al.
- 3,338,468 A 8/1967 Wilson
- 3,452,896 A 7/1969 Elliot
- 3,589,554 A 6/1971 Smith
- 3,981,401 A 9/1976 Blanchard
- 4,113,095 A * 9/1978 Dietz et al. 206/508
- 4,483,455 A 11/1984 Prophet, Jr. et al.



(56)

References Cited

U.S. PATENT DOCUMENTS

5,356,026	A	10/1994	Andress et al.	D522,319	S	6/2006	Palder	
5,377,860	A	1/1995	Littlejohn et al.	7,063,231	B2	6/2006	Stanos et al.	
5,409,126	A	4/1995	DeMars	D526,161	S	8/2006	Roth et al.	
D360,105	S	7/1995	Doxey	D527,224	S	8/2006	Roth et al.	
5,542,234	A	8/1996	Wyslotsky et al.	D527,951	S	9/2006	Roth et al.	
5,560,315	A	10/1996	Lampe	D527,952	S	9/2006	Roth et al.	
5,586,656	A	12/1996	Abrums	D527,954	S	9/2006	Roth	
5,634,559	A	6/1997	Foos et al.	D536,922	S	2/2007	Roth et al.	
D388,325	S	12/1997	Tucker et al.	D536,923	S	2/2007	Roth et al.	
5,692,617	A	12/1997	Adams	D541,598	S *	5/2007	Kim	D7/629
5,709,304	A	1/1998	Credle, Jr.	D542,100	S	5/2007	Kim	
D390,109	S	2/1998	Tucker et al.	7,216,769	B2	5/2007	Palder	
5,769,229	A	6/1998	Andress et al.	D545,618	S	7/2007	Zettle et al.	
5,799,792	A	9/1998	Abrums	D547,177	S	7/2007	Sherman et al.	
5,810,187	A	9/1998	Woodring	D548,538	S	8/2007	Liu	
D411,741	S	6/1999	Wilson et al.	7,261,219	B2	8/2007	Tucker et al.	
D412,439	S *	8/1999	Cormack	D551,496	S	9/2007	Ablo et al.	
5,992,679	A	11/1999	Porchia et al.	7,264,135	B2	9/2007	Savicki et al.	
D419,829	S	2/2000	Wilson et al.	D555,475	S	11/2007	Enriquez et al.	
D420,252	S	2/2000	Loew et al.	D556,517	S	12/2007	Lown et al.	
6,032,827	A	3/2000	Zettle et al.	7,347,327	B2	3/2008	Lobman et al.	
D427,063	S	6/2000	May	D566,482	S *	4/2008	Tucker et al.	D7/629
D428,310	S	7/2000	Zettle et al.	7,357,272	B2	4/2008	Maxwell	
6,168,044	B1	1/2001	Zettle et al.	D568,693	S	5/2008	Furlong	
6,170,696	B1	1/2001	Tucker et al.	D568,694	S	5/2008	Furlong	
D439,744	S	4/2001	Ho	D569,722	S	5/2008	Stamper et al.	
D440,470	S	4/2001	Tucker et al.	7,380,412	B2	6/2008	Roth et al.	
D440,830	S *	4/2001	Tucker et al.	D575,100	S	8/2008	Liu	
D443,184	S	6/2001	Maxwell et al.	7,451,875	B1	11/2008	Norris	
D443,798	S *	6/2001	Tucker et al.	D585,699	S	2/2009	Furlong	
D446,117	S	8/2001	Conti	D586,179	S	2/2009	Furlong	
D446,450	S *	8/2001	Zettle et al.	D588,417	S	3/2009	Doliwa	
D447,382	S	9/2001	Tucker et al.	D589,759	S	4/2009	Ozery et al.	
D448,288	S *	9/2001	Zettle et al.	7,549,540	B2	6/2009	Lee et al.	
D448,606	S	10/2001	Conti	D597,383	S *	8/2009	Masterton et al.	D7/629
D448,969	S	10/2001	Conti	D603,697	S	11/2009	Edwards et al.	
D448,991	S *	10/2001	Zettle et al.	D606,812	S	12/2009	Wu	
D449,495	S	10/2001	Tucker et al.	7,661,528	B2	2/2010	Vovan et al.	
D450,983	S	11/2001	Tucker et al.	D611,807	S	3/2010	Miga, Jr.	
D451,769	S	12/2001	Stanos et al.	D613,111	S	4/2010	Furlong	
6,415,945	B1	7/2002	Zank et al.	D615,349	S	5/2010	Furlong	
D462,880	S	9/2002	Maxwell et al.	D618,516	S	6/2010	DiPietro et al.	
6,467,647	B1	10/2002	Tucker et al.	7,726,483	B2	6/2010	Ramanujam et al.	
D465,382	S	11/2002	Wolf et al.	7,735,674	B2	6/2010	Cai	
D466,364	S	12/2002	Demore	D623,893	S *	9/2010	Smyers	D7/392
D469,689	S *	2/2003	Buchalski et al.	7,866,502	B2	1/2011	Maxwell	
D472,774	S	4/2003	Pelstring et al.	D632,932	S *	2/2011	Smyers	D7/629
6,557,720	B2	5/2003	Tosdale et al.	D642,861	S	8/2011	Samartgis	
D483,664	S *	12/2003	Cadiente	8,006,513	B2	8/2011	Roth et al.	
D485,468	S	1/2004	Roth et al.	8,011,205	B2	9/2011	Roth et al.	
D485,473	S	1/2004	Dais et al.	D648,538	S *	11/2011	Reinhart et al.	D3/318
6,672,473	B2	1/2004	Torniainen et al.	8,074,830	B2	12/2011	Pomfrey	
6,685,049	B1	2/2004	Paladino	8,083,084	B2	12/2011	Vovan	
D490,278	S	5/2004	Welsh	8,083,095	B2	12/2011	Hui	
6,729,472	B2	5/2004	Stucke et al.	8,118,190	B2	2/2012	Coonce	
6,761,041	B2	7/2004	Roth et al.	8,123,064	B2	2/2012	Vovan	
6,796,430	B2	9/2004	Mercier et al.	8,146,766	B2	4/2012	Vovan et al.	
6,874,650	B2	4/2005	Welsh et al.	8,157,123	B2	4/2012	Tucker et al.	
6,886,694	B2	5/2005	McNeeley et al.	D660,094	S *	5/2012	Kyung	D7/629
D505,835	S	6/2005	Schultz et al.	8,308,021	B2	11/2012	Turvey et al.	
D505,839	S	6/2005	Stanos et al.	8,317,024	B1 *	11/2012	Persi	206/508
D505,840	S	6/2005	Schultz et al.	8,322,530	B2	12/2012	Furlong	
D506,106	S	6/2005	Ordiway et al.	8,381,909	B2	2/2013	Hernandez et al.	
D506,359	S	6/2005	Zettle et al.	D677,568	S	3/2013	Sina	
6,910,599	B2	6/2005	Tucker et al.	D705,014	S *	5/2014	Kyle et al.	D7/629
D507,155	S	7/2005	Gosen et al.	2002/0148845	A1 *	10/2002	Zettle et al.	220/781
D507,937	S	8/2005	Dais et al.	2004/0118737	A1 *	6/2004	Welsh et al.	206/508
D508,187	S	8/2005	Dais et al.	2004/0144781	A1	7/2004	Dees et al.	
D508,188	S	8/2005	Zettle et al.	2006/0011626	A1	1/2006	Palder	
D511,435	S	11/2005	Roth et al.	2006/0070907	A1	4/2006	O'Shea	
D512,278	S *	12/2005	Schultz et al.	2007/0119743	A1	5/2007	Tucker et al.	
D514,390	S	2/2006	Palder	2007/0187277	A1	8/2007	Furlong	
D516,859	S	3/2006	Zettle et al.	2008/0105630	A1	5/2008	Lown	
7,017,775	B2	3/2006	Zettle et al.	2009/0084796	A1	4/2009	Coonce et al.	
7,032,773	B2	4/2006	Dees et al.	2009/0145797	A1	6/2009	Steinmeyer	
				2009/0173656	A1	7/2009	Furlong	
				2010/0006467	A1	1/2010	Joseph et al.	
				2010/0065461	A1	3/2010	Chhay	
				2010/0170824	A1	7/2010	Ramanujam et al.	

(56)

References Cited

U.S. PATENT DOCUMENTS

2010/0176022 A1 7/2010 Furlong
 2010/0181323 A1 7/2010 Thaler et al.
 2010/0200588 A1 8/2010 Bergman et al.
 2011/0031153 A1 2/2011 Vovan
 2011/0114638 A1 5/2011 Kettner et al.
 2011/0309075 A1 12/2011 Roth et al.
 2011/0315702 A1 12/2011 LeBoeuf et al.
 2012/0006837 A1 1/2012 Becklin
 2012/0048874 A1 3/2012 Oakes et al.

OTHER PUBLICATIONS

Infantino Annabel Karmel Feeding Accessories, <<http://www.thanksmailcarrier.com/2010/11/infantino-annabel-karmel-feeding.html>>, accessed Jan. 25, 2013.
 LunchBlox™ Sandwich Kit, <http://www.rubbermaid.com/category/pages/productdetail.aspx?Prod_ID=RP092026>, accessed Jan. 25, 2013.

Play With Your Food: Lego Bento Box, <<http://kawaii-fabric.com/tag/fun-bento-boxes/>>, accessed Jan. 25, 2013.

Set of 5 Stackable Containers, <<http://www.etsy.com/listing/50125726/set-5-of-stackable-containers>>, accessed Jan. 25, 2013.

Co-pending U.S. Appl. No. 29/461,250, filed Jul. 19, 2013.

Co-pending U.S. Appl. No. 29/461,251, filed Jul. 19, 2013.

Co-pending U.S. Appl. No. 29/461,252, filed Jul. 19, 2013.

Co-pending U.S. Appl. No. 29/461,253, filed Jul. 19, 2013.

Co-pending U.S. Appl. No. 29/461,254, filed Jul. 19, 2013.

Co-pending U.S. Appl. No. 29/461,255, filed Jul. 19, 2013.

Co-pending U.S. Appl. No. 29/461,256, filed Jul. 19, 2013.

Co-pending U.S. Appl. No. 29/461,257, filed Jul. 19, 2013.

Co-pending U.S. Appl. No. 29/461,258, filed Jul. 19, 2013.

Co-pending U.S. Appl. No. 29/461,259, filed Jul. 19, 2013.

Co-pending U.S. Appl. No. 29/461,260, filed Jul. 19, 2013.

Co-pending U.S. Appl. No. 29/461,261, filed Jul. 19, 2013.

Co-pending U.S. Appl. No. 29/469,505, filed Jul. 19, 2013.

Co-pending U.S. Appl. No. 29/469,506, filed Jul. 19, 2013.

* cited by examiner

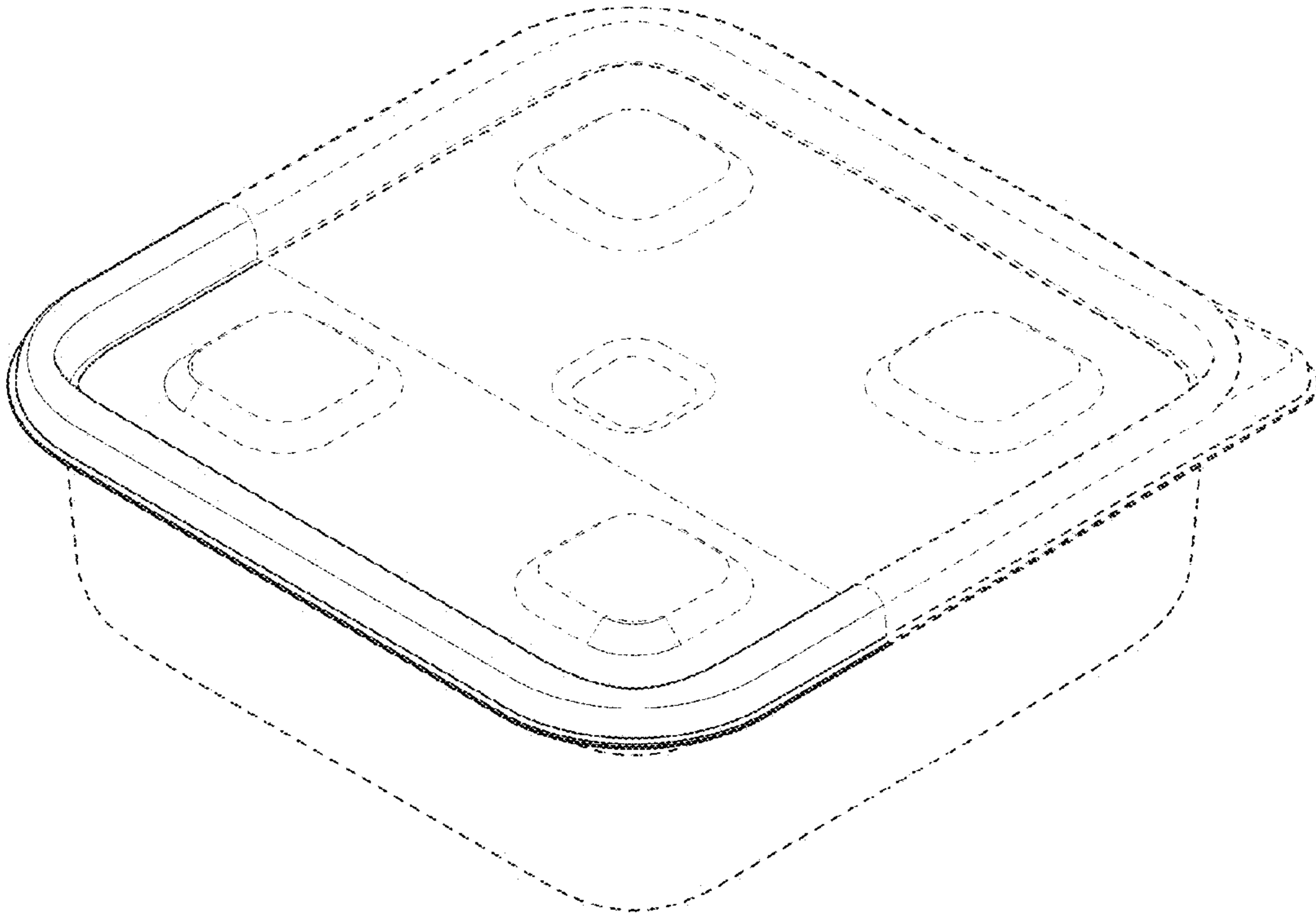


FIG. 1

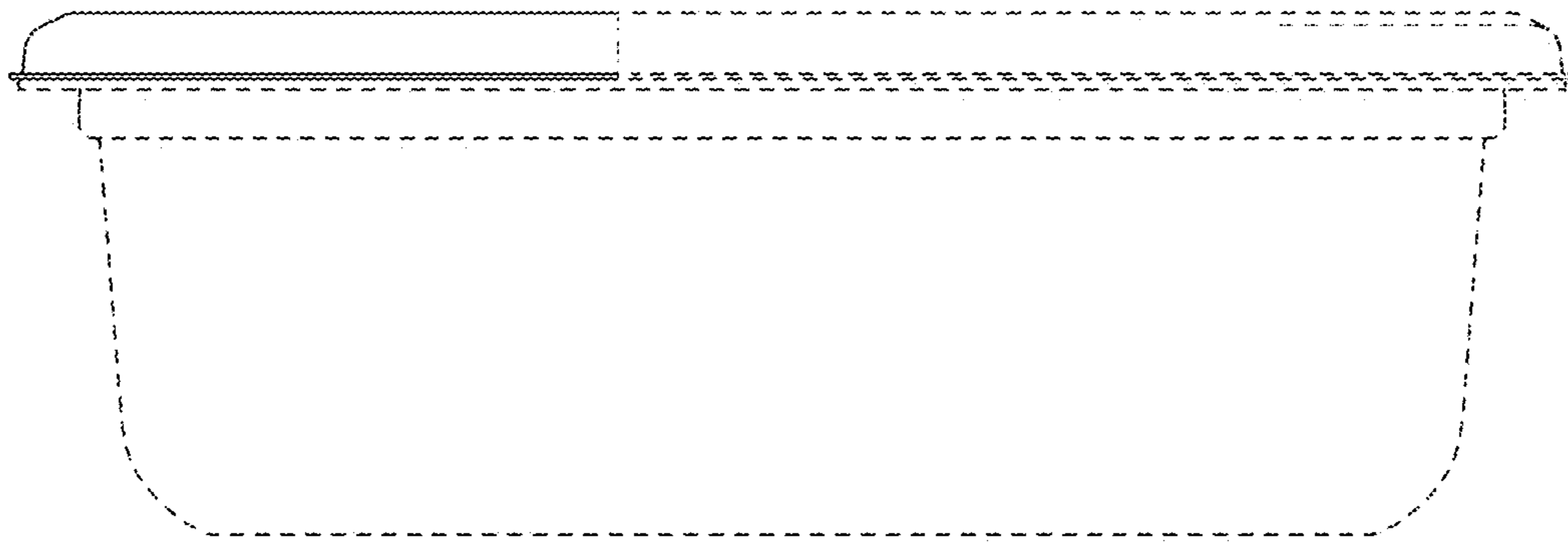


FIG. 2

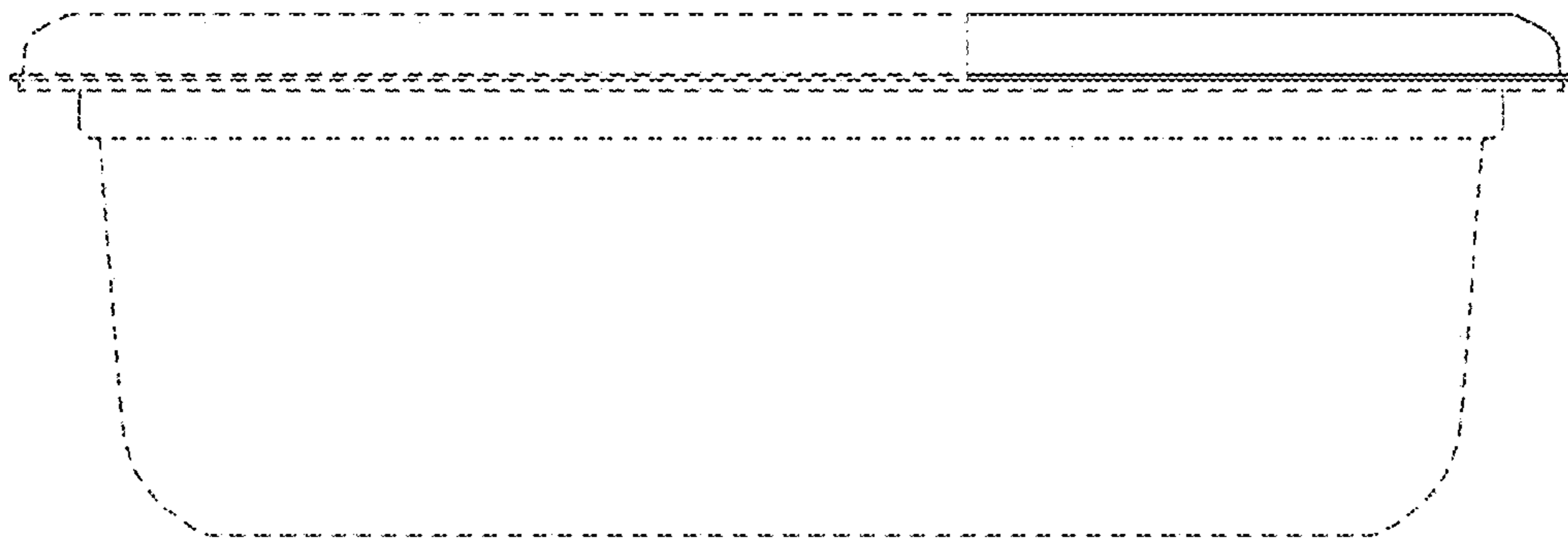


FIG. 3

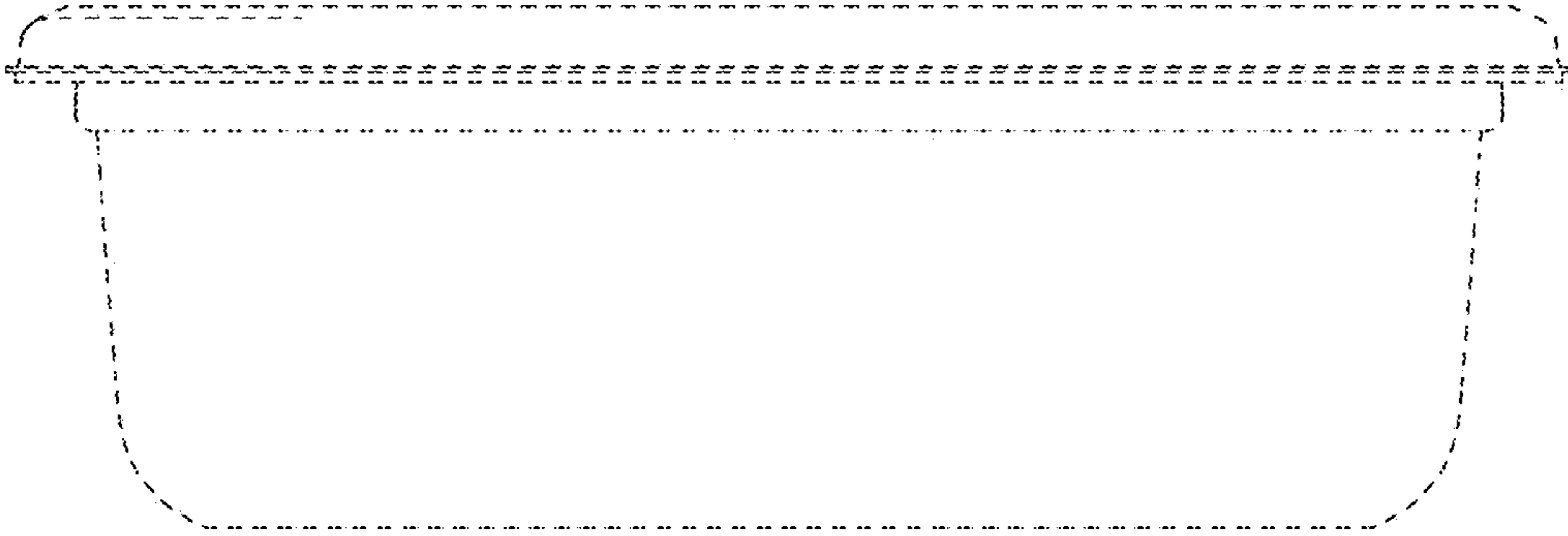


FIG. 4

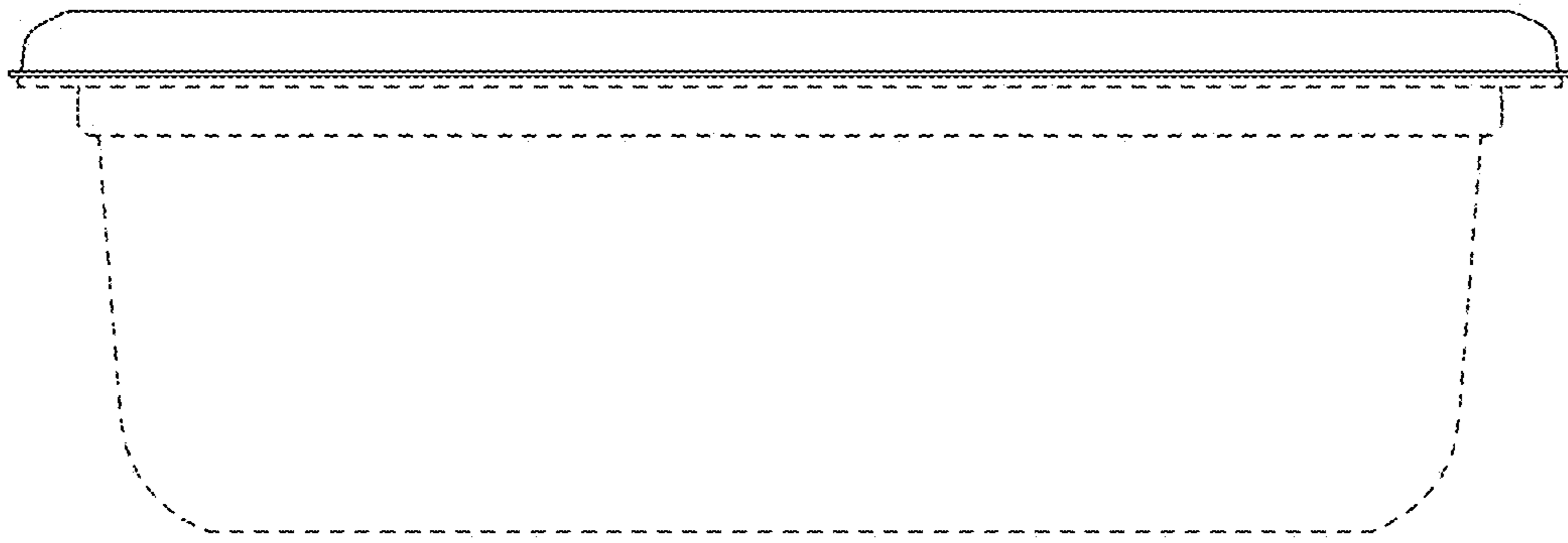


FIG. 5

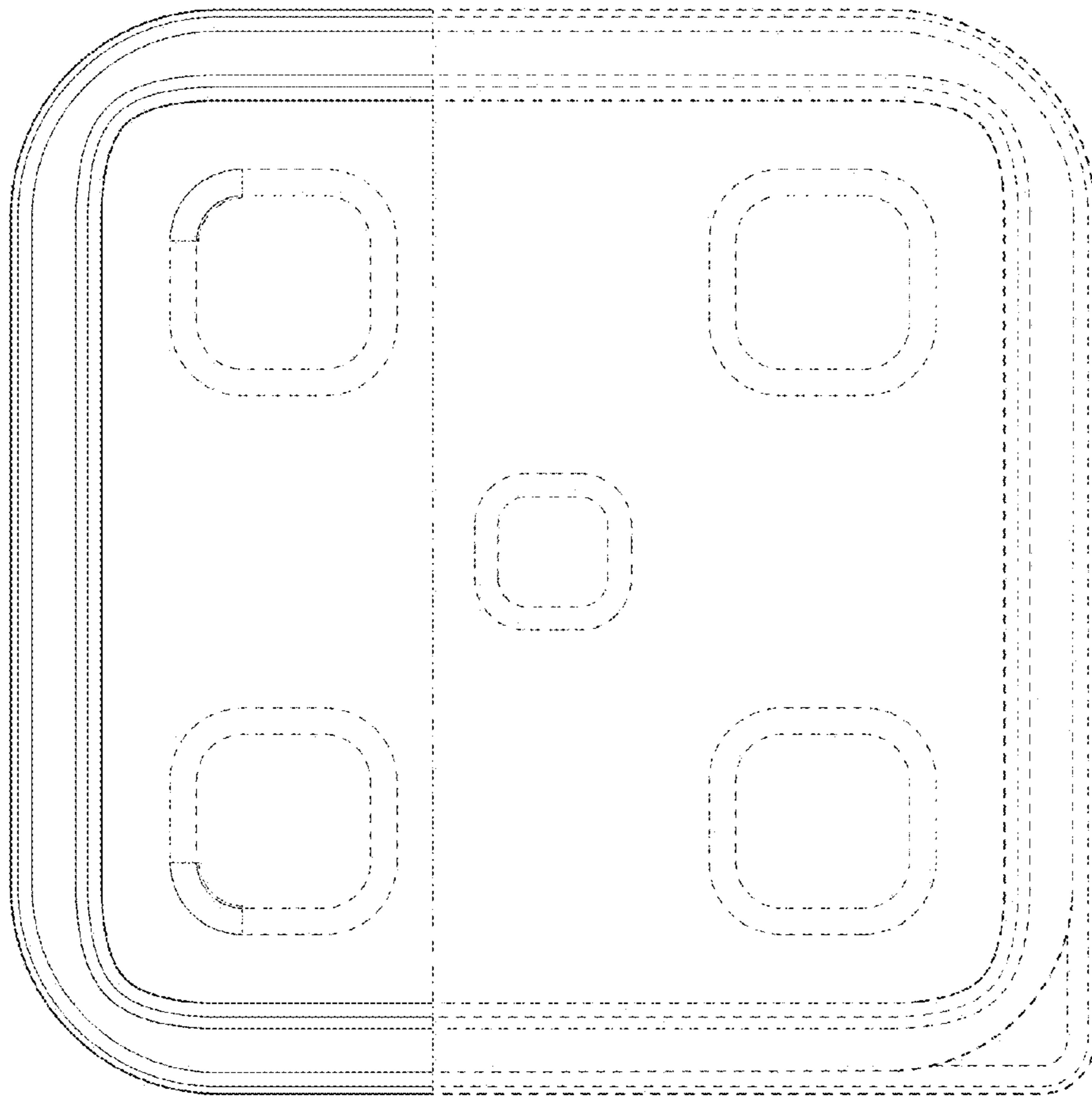


FIG. 6

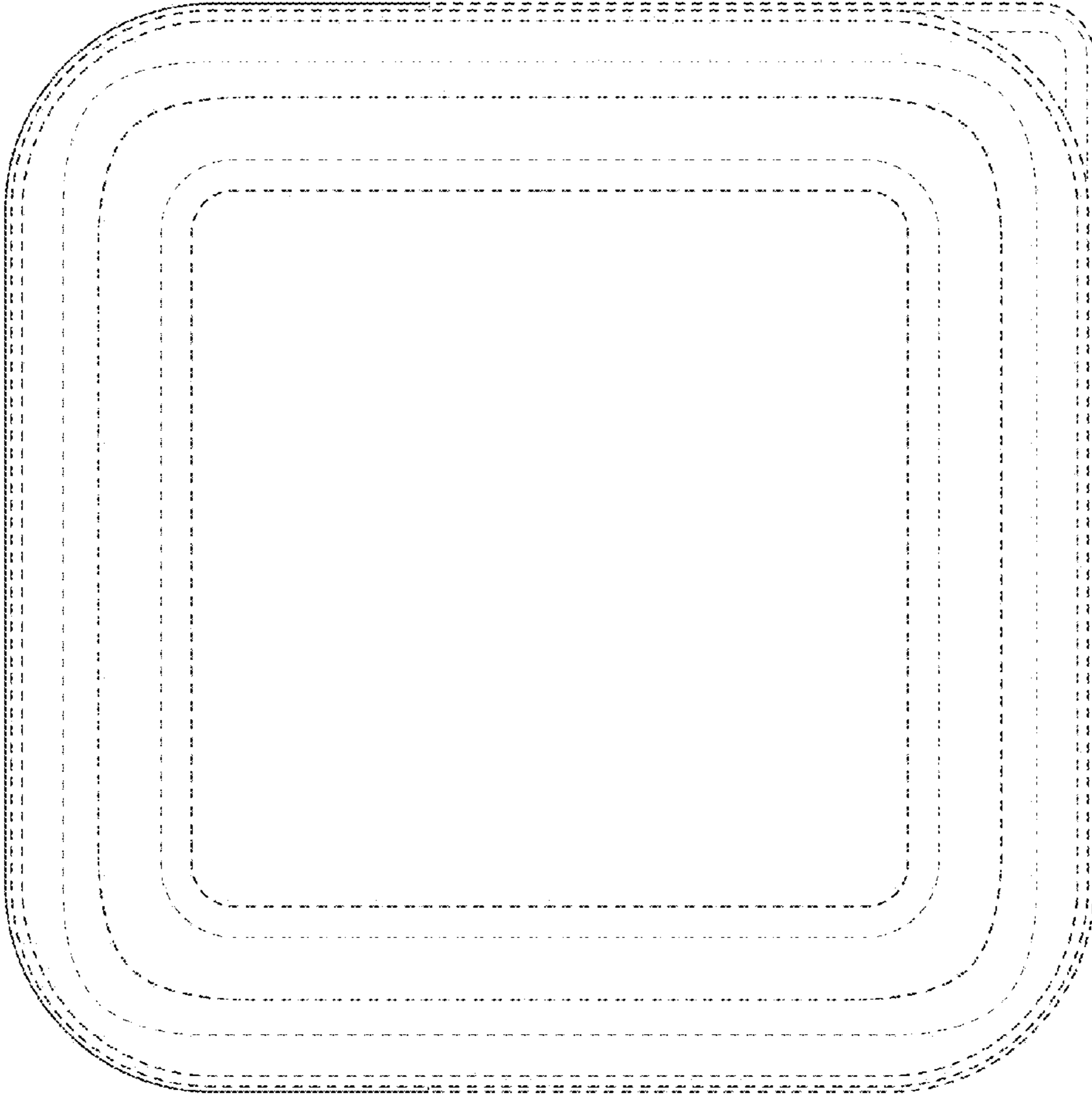


FIG. 7



FIG. 8