



US00D724890S

(12) **United States Design Patent**  
**Molnar et al.**

(10) **Patent No.:** **US D724,890 S**  
(45) **Date of Patent:** **\*\* Mar. 24, 2015**

- (54) **INFRARED PORTABLE BROILER**
- (71) Applicant: **SCI Direct, LLC**, North Canton, OH (US)
- (72) Inventors: **Jon P. Molnar**, Massillon, OH (US);  
**Neil R. Tyburk**, Canton, OH (US)
- (73) Assignee: **SCI Direct, LLC**, North Canton, OH (US)
- (\*\*) Term: **14 Years**
- (21) Appl. No.: **29/493,272**
- (22) Filed: **Jun. 6, 2014**

**Related U.S. Application Data**

- (63) Continuation-in-part of application No. 13/887,591, filed on May 6, 2013.
- (51) **LOC (10) Cl.** ..... **07-02**
- (52) **U.S. Cl.**  
USPC ..... **D7/350.1**
- (58) **Field of Classification Search**  
USPC ..... D7/350.1-350.4, 351, 402, 405, 406;  
126/19 R, 19 M, 41 R; 219/391, 725,  
219/756-758; 99/DIG. 14  
See application file for complete search history.

(56) **References Cited**

U.S. PATENT DOCUMENTS

D364,530 S *	11/1995	Robards et al. ....	D7/350.4
D371,274 S *	7/1996	Sitaras .....	D7/350.4
7,385,160 B2 *	6/2008	Jones .....	219/386
8,522,675 B2 *	9/2013	Veltrop .....	99/448
D693,166 S *	11/2013	Measom et al. ....	D7/350.1

\* cited by examiner

*Primary Examiner* — Ruth McInroy

(74) *Attorney, Agent, or Firm* — Buckingham, Doolittle & Burroughs, LLC

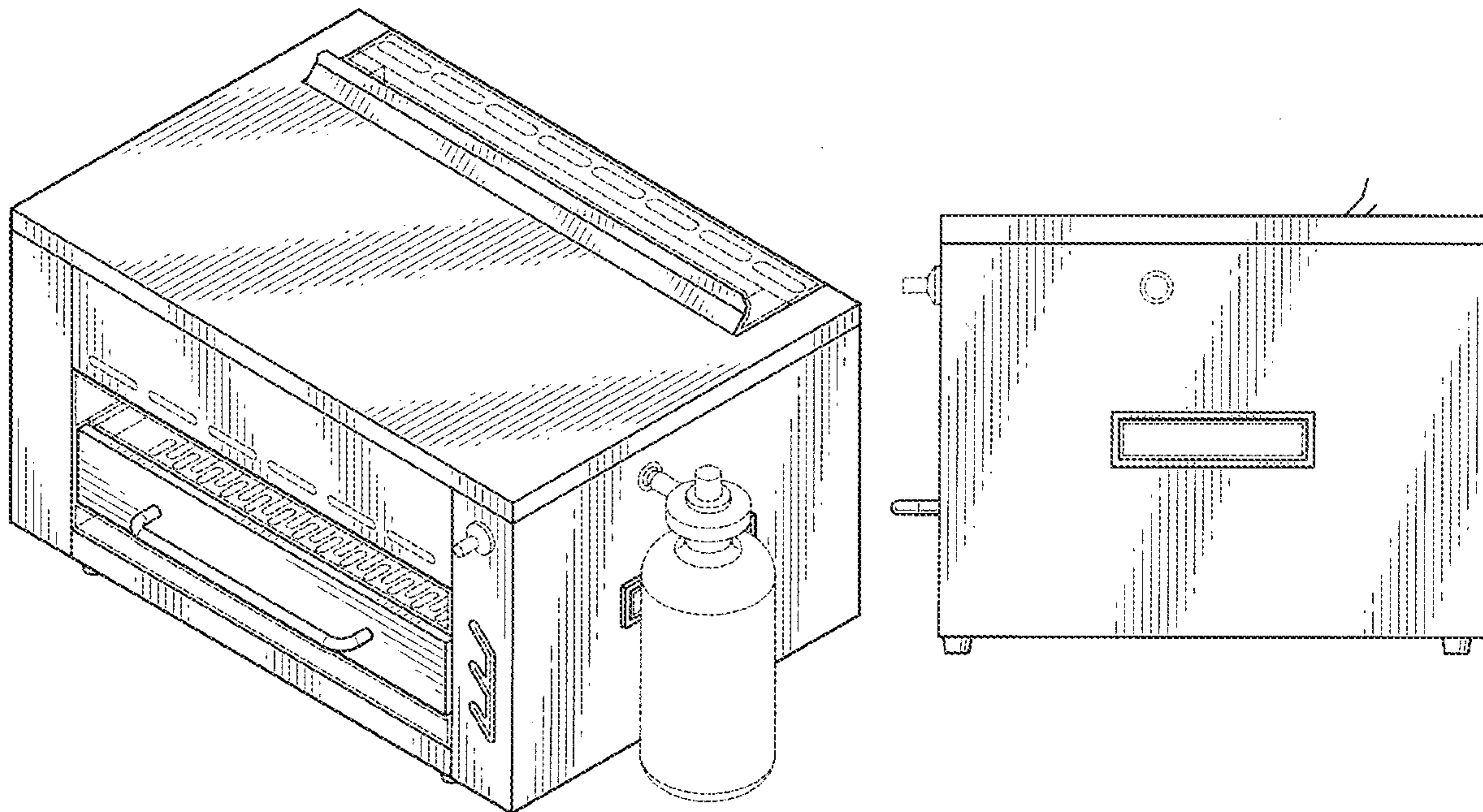
(57) **CLAIM**

We claim the ornamental design for an infrared portable broiler, as shown and described.

**DESCRIPTION**

FIG. 1 illustrates a perspective view of an infrared portable broiler of the present invention;  
 FIG. 2 illustrates a front elevational view thereof;  
 FIG. 3 illustrates a rear elevational view thereof;  
 FIG. 4 illustrates a top view thereof;  
 FIG. 5 illustrates a left side elevational view thereof; and,  
 FIG. 6 illustrates a right side elevational view thereof.  
 The broken lines illustrate portions of the infrared portable broiler which form no part of the claimed design.

**1 Claim, 5 Drawing Sheets**



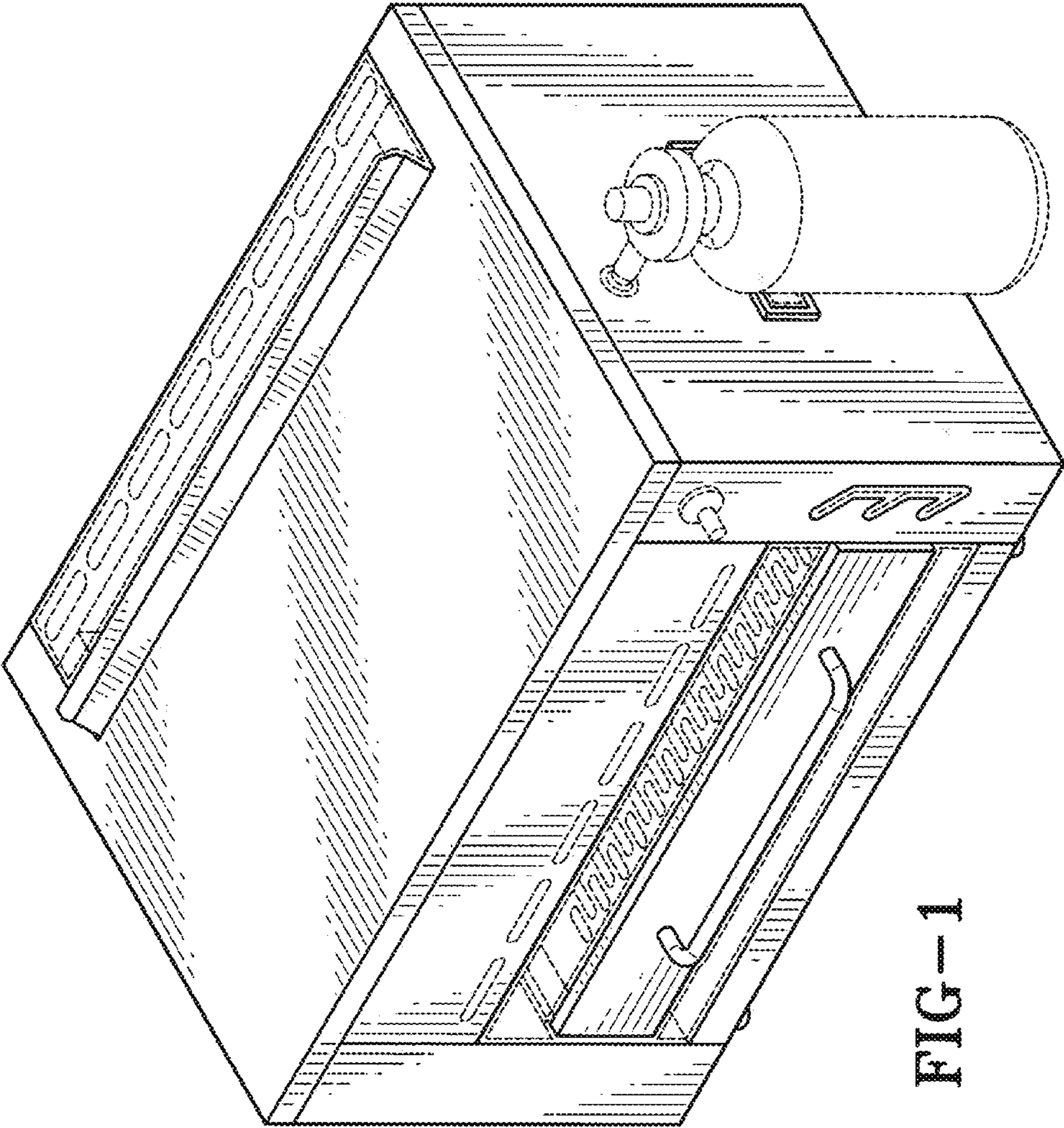


FIG-1



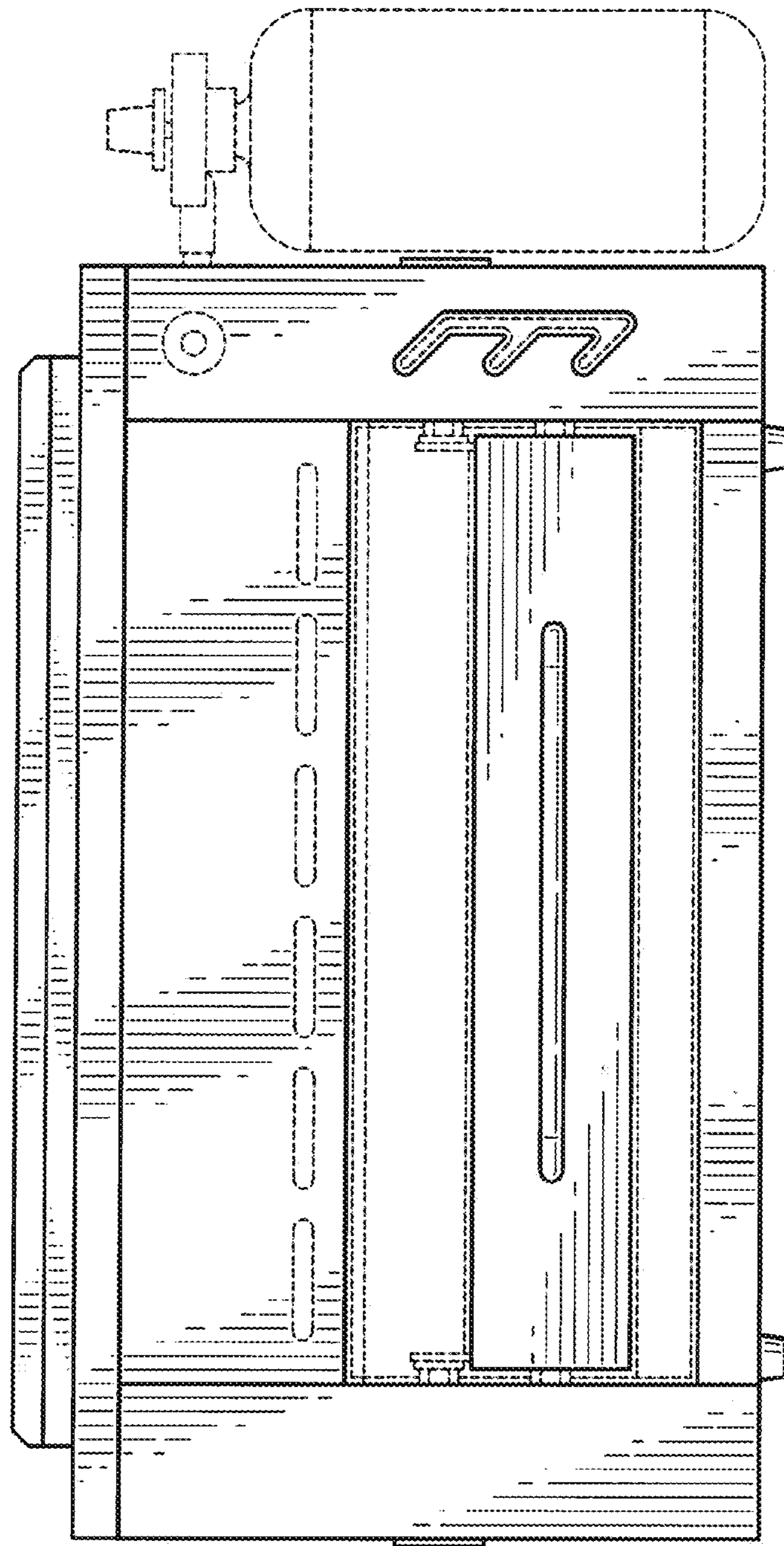


FIG-2

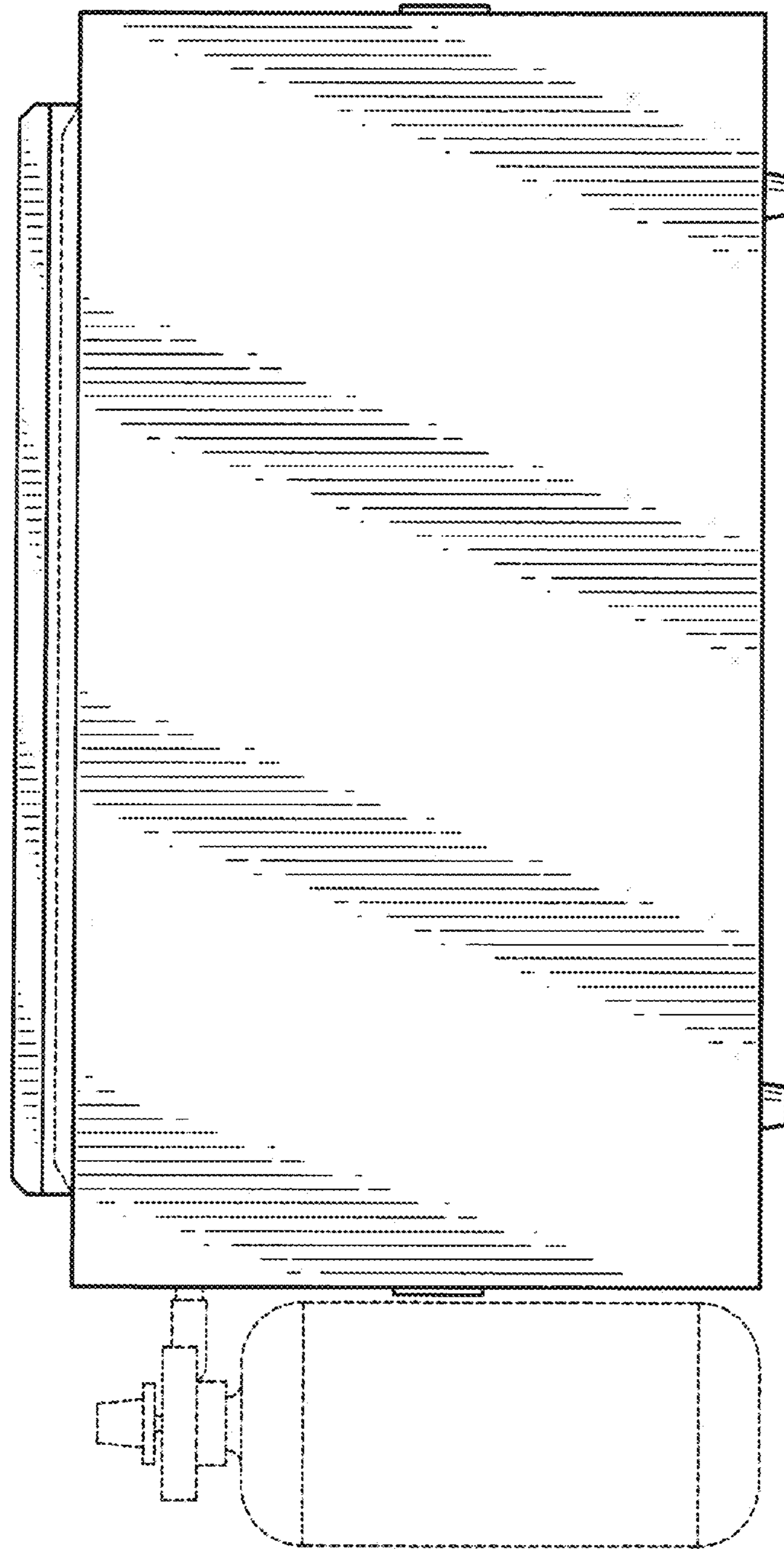


FIG-3

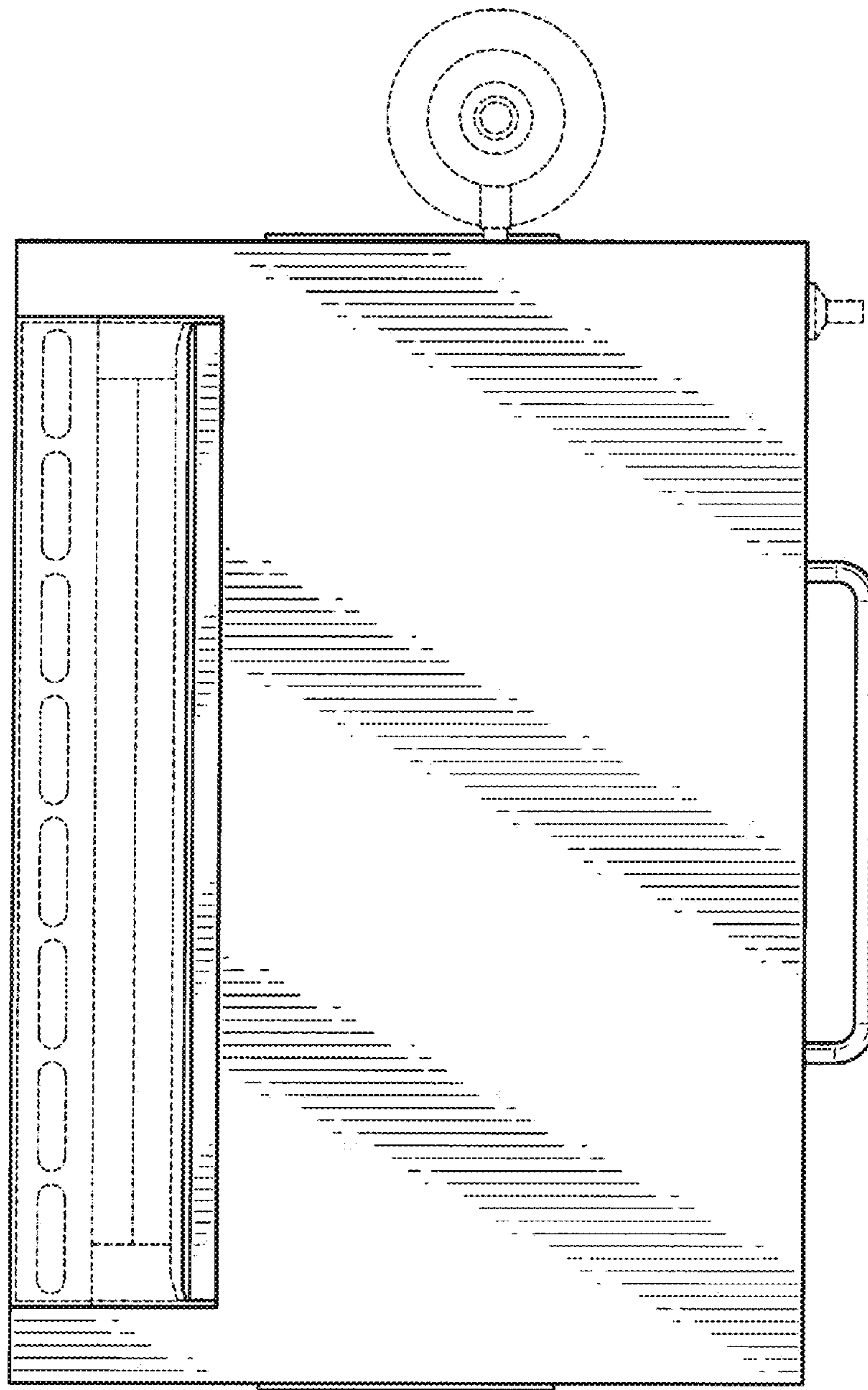


FIG--4

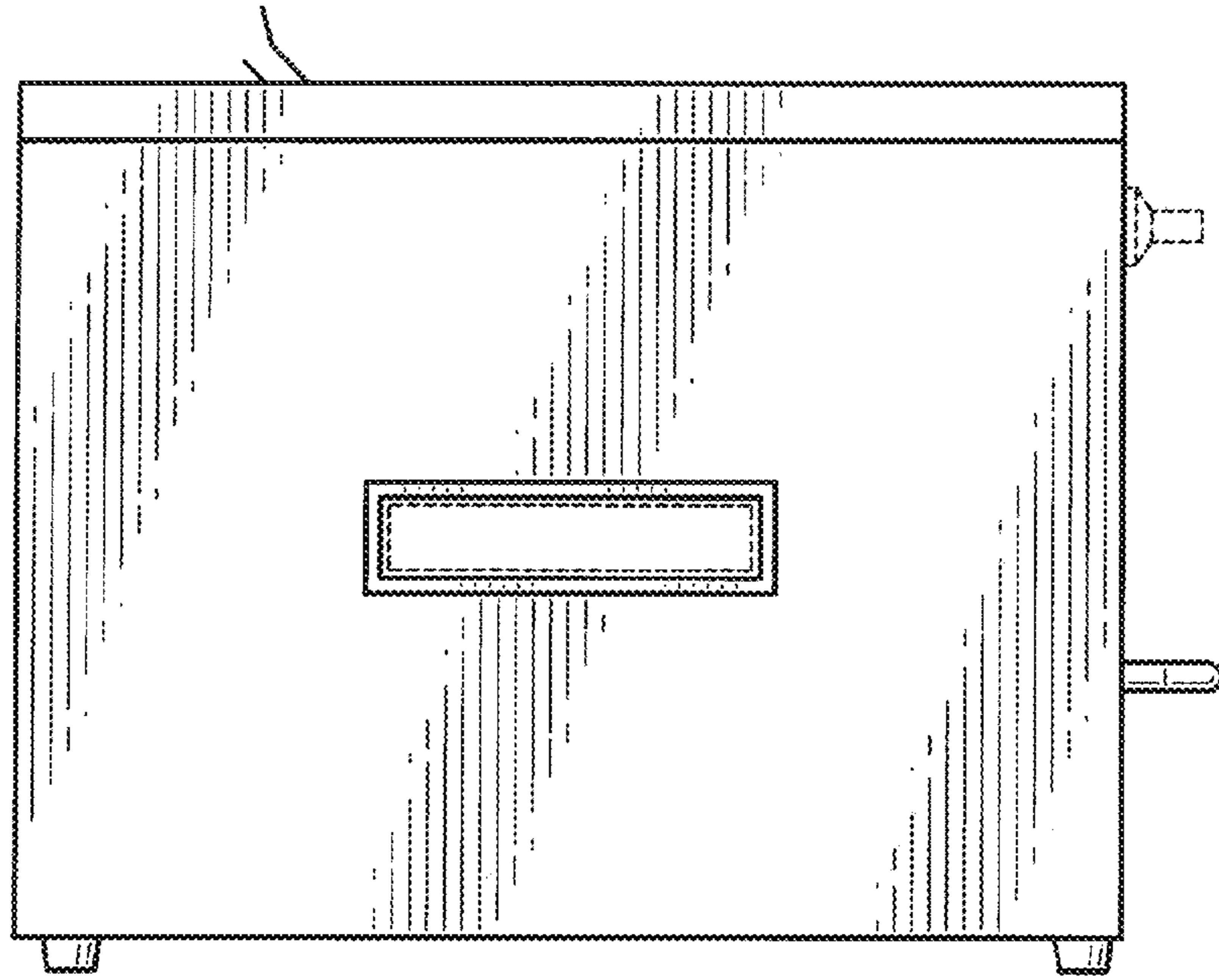


FIG-5

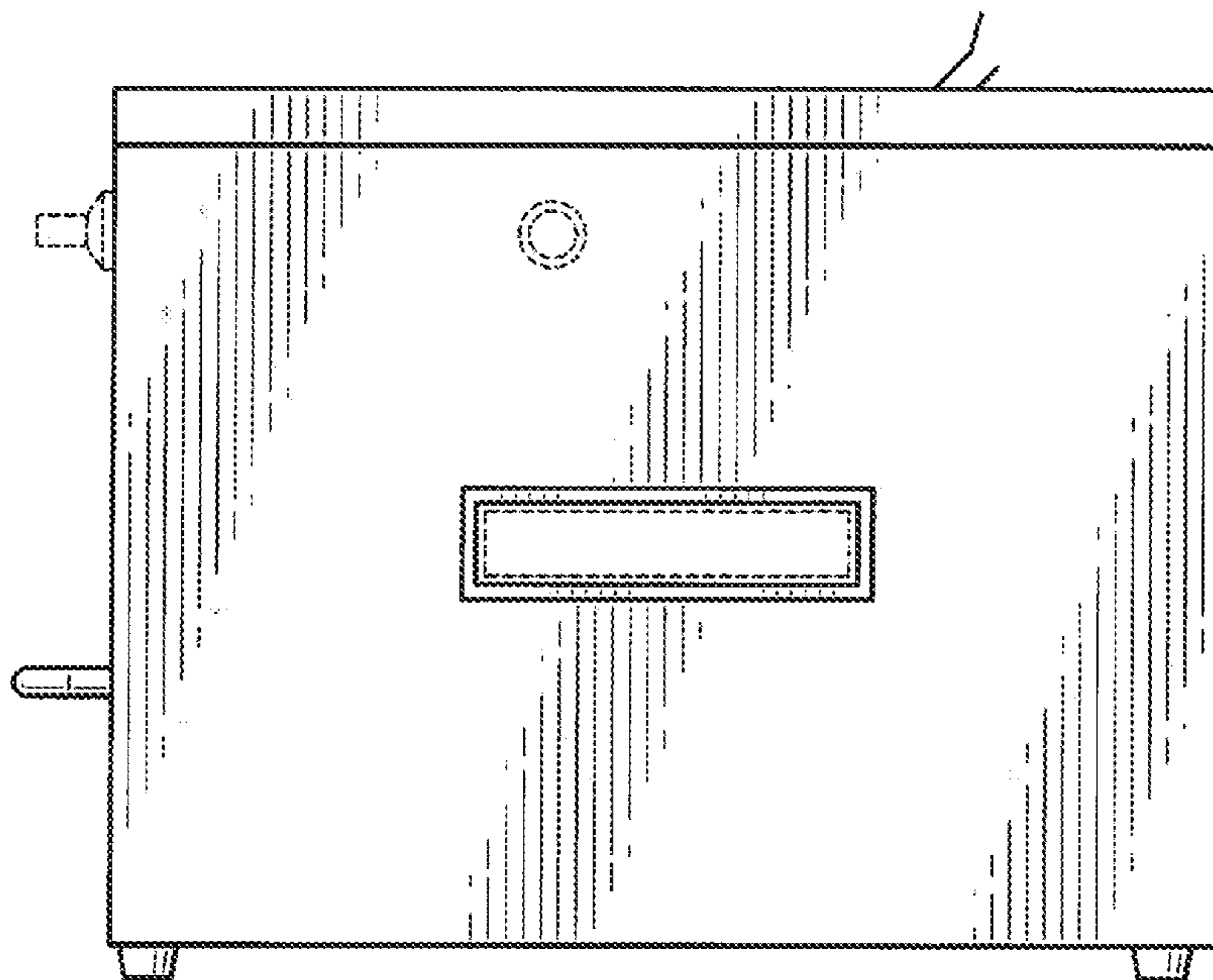


FIG-6