



US00D724886S

(12) **United States Design Patent**  
**Chung**

(10) **Patent No.:** **US D724,886 S**  
(45) **Date of Patent:** **\*\* Mar. 24, 2015**

(54) **BARBECUE GRILL**

(71) Applicant: **Kiosky Chung**, Taichung (TW)

(72) Inventor: **Kiosky Chung**, Taichung (TW)

(\*\*) Term: **14 Years**

(21) Appl. No.: **29/461,824**

(22) Filed: **Jul. 28, 2013**

(51) **LOC (10) Cl.** ..... **15-05**

(52) **U.S. Cl.**  
USPC ..... **D7/337**

(58) **Field of Classification Search**  
USPC ..... D7/332, 334–337, 402–405, 362, 367;  
99/481–482, 449, 340; 431/206;  
126/19 M, 19 R, 39 R, 39 H, 39 B, 25 R,  
126/43, 41 R, 9 R, 38, 37 R, 40, 50  
See application file for complete search history.

(56) **References Cited**

**U.S. PATENT DOCUMENTS**

6,941,942 B2 \* 9/2005 Eisinger et al. .... 126/25 R  
D514,872 S \* 2/2006 Chung ..... D7/337

D610,862 S \* 3/2010 Chung ..... D7/337  
D662,762 S \* 7/2012 Chung ..... D7/354  
D663,571 S \* 7/2012 Chung ..... D7/354  
D676,703 S \* 2/2013 Chung ..... D7/337

\* cited by examiner

*Primary Examiner* — Ruth McInroy

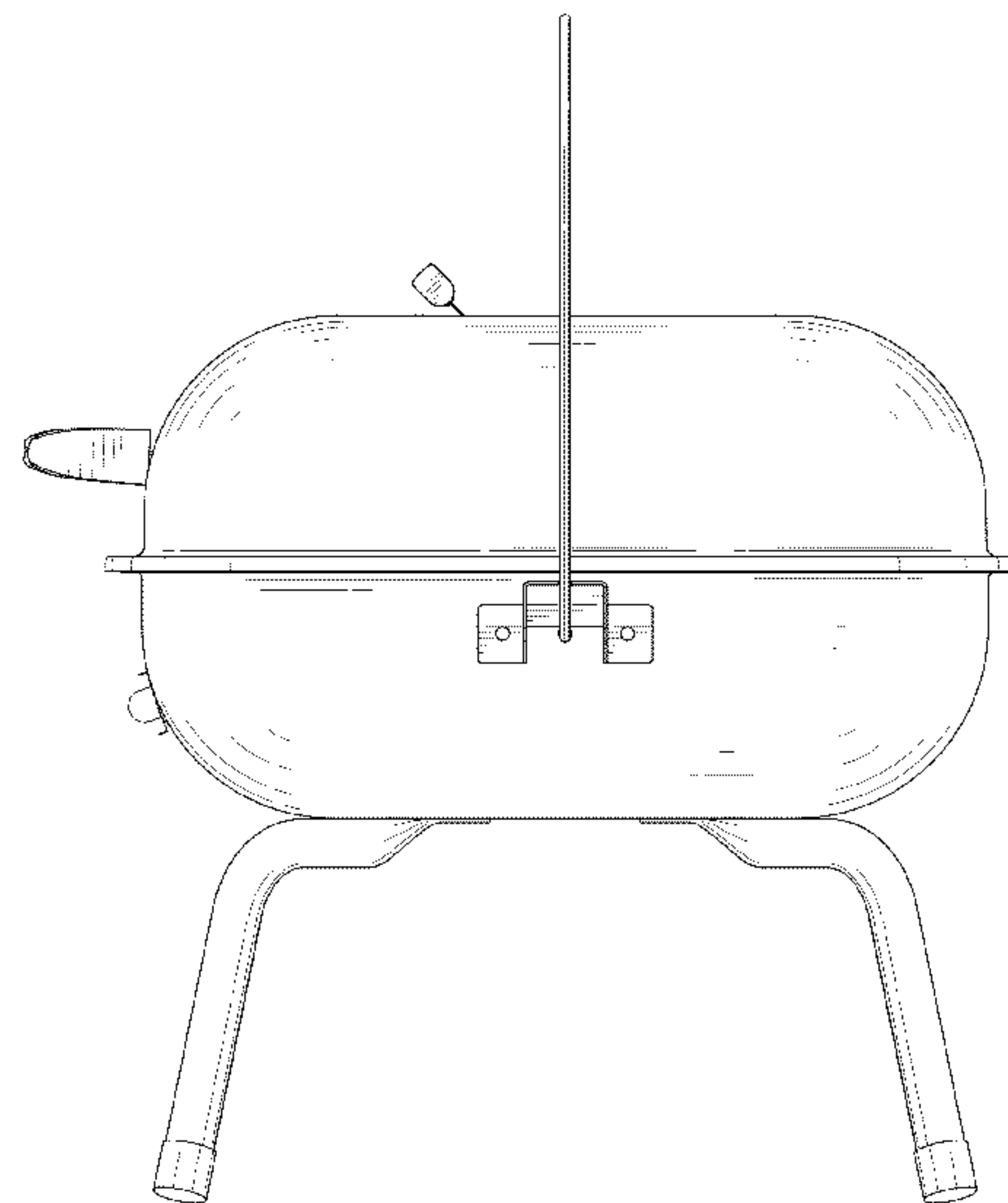
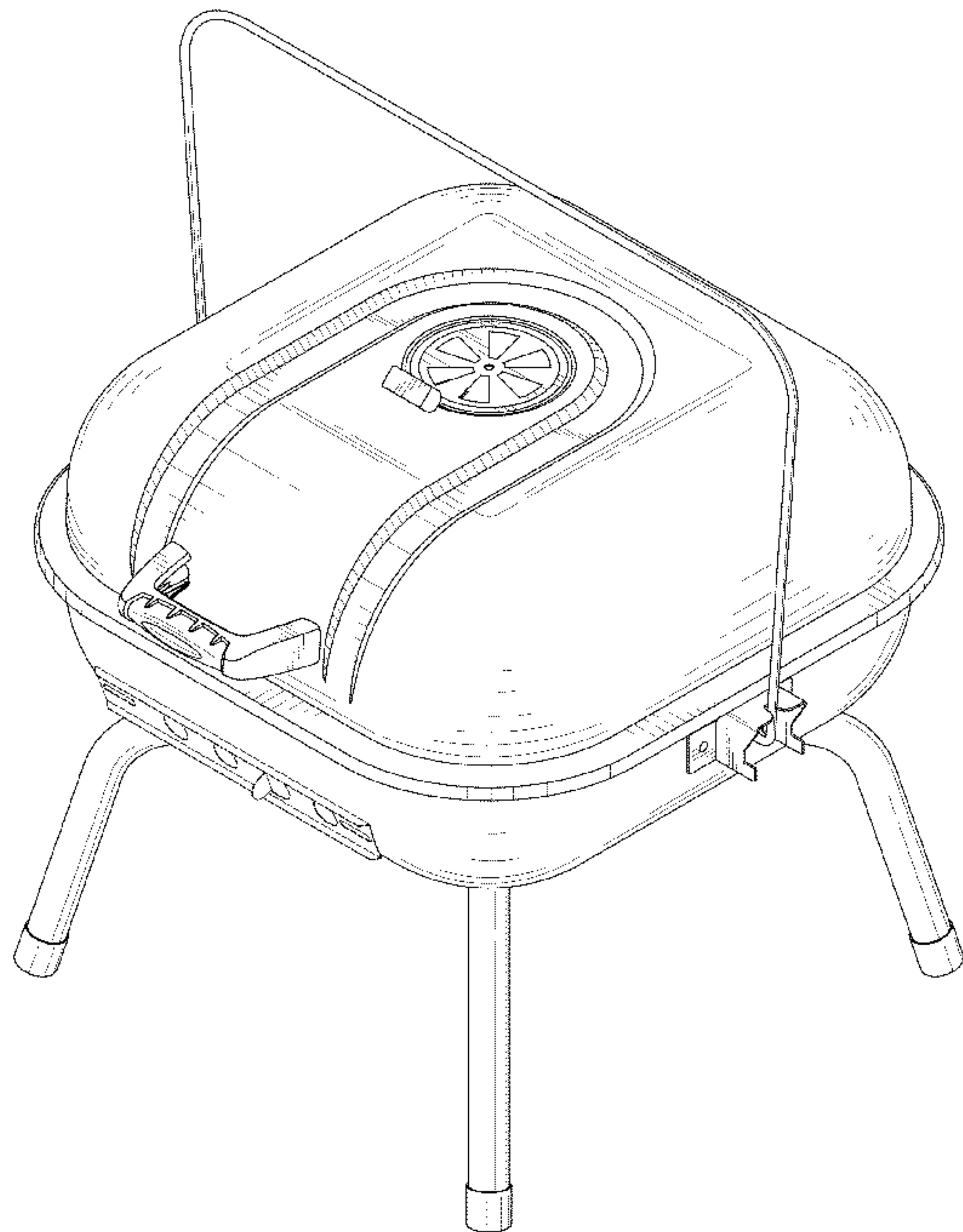
(57) **CLAIM**

I claim the ornamental design for a barbecue grill, as shown and described.

**DESCRIPTION**

FIG. 1 is a perspective view of a barbecue grill, showing my new design;  
FIG. 2 is a front elevational view thereof;  
FIG. 3 is a rear elevational view thereof;  
FIG. 4 is a left side elevational view thereof;  
FIG. 5 is a right side elevational view thereof;  
FIG. 6 is a top plan view thereof; and,  
FIG. 7 is a bottom plan view thereof.  
The broken lines shown in the drawings are for the purpose of illustrating unclaimed portions of the barbecue grill and form no part of the claimed design.

**1 Claim, 7 Drawing Sheets**



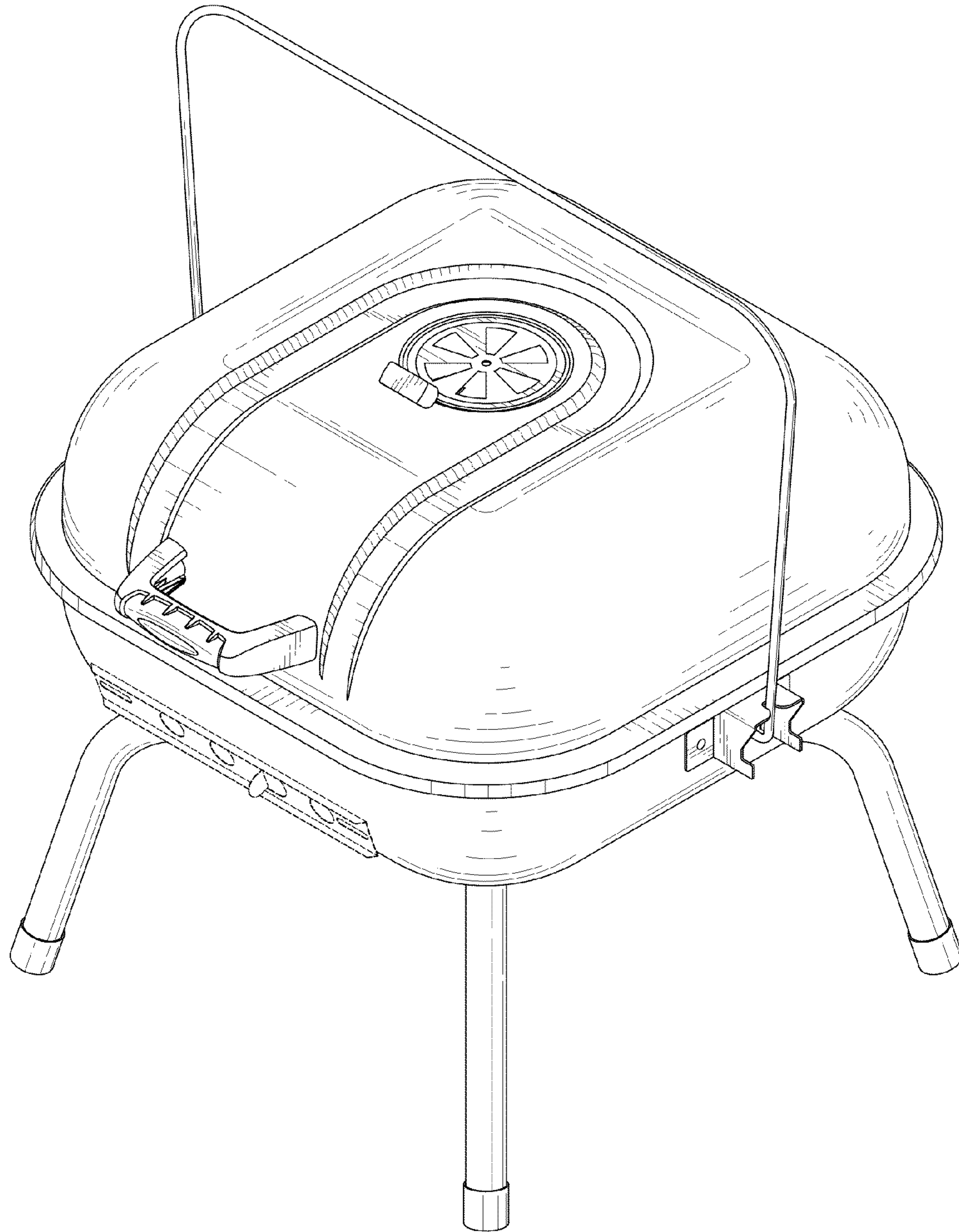


FIG. 1

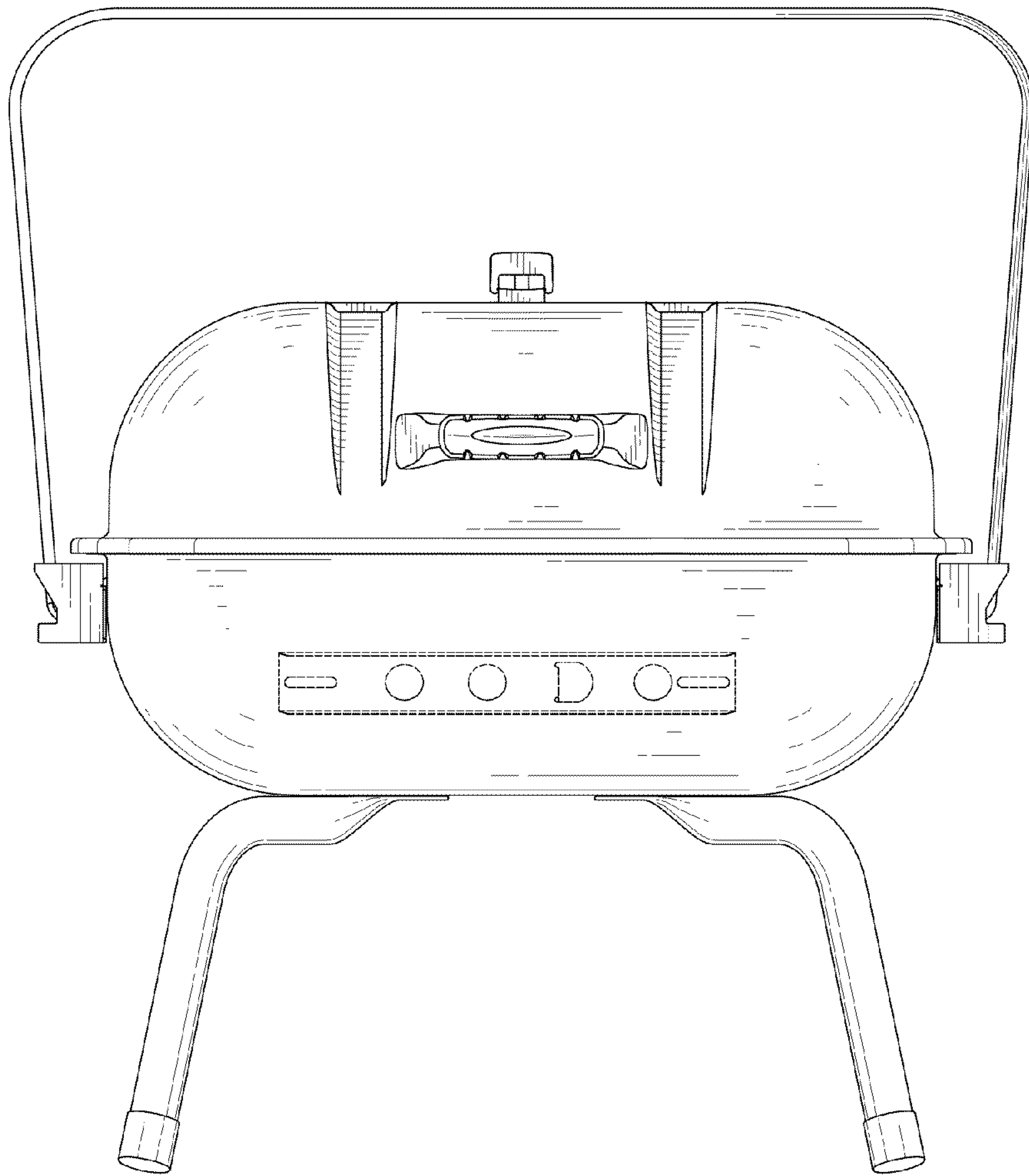


FIG. 2

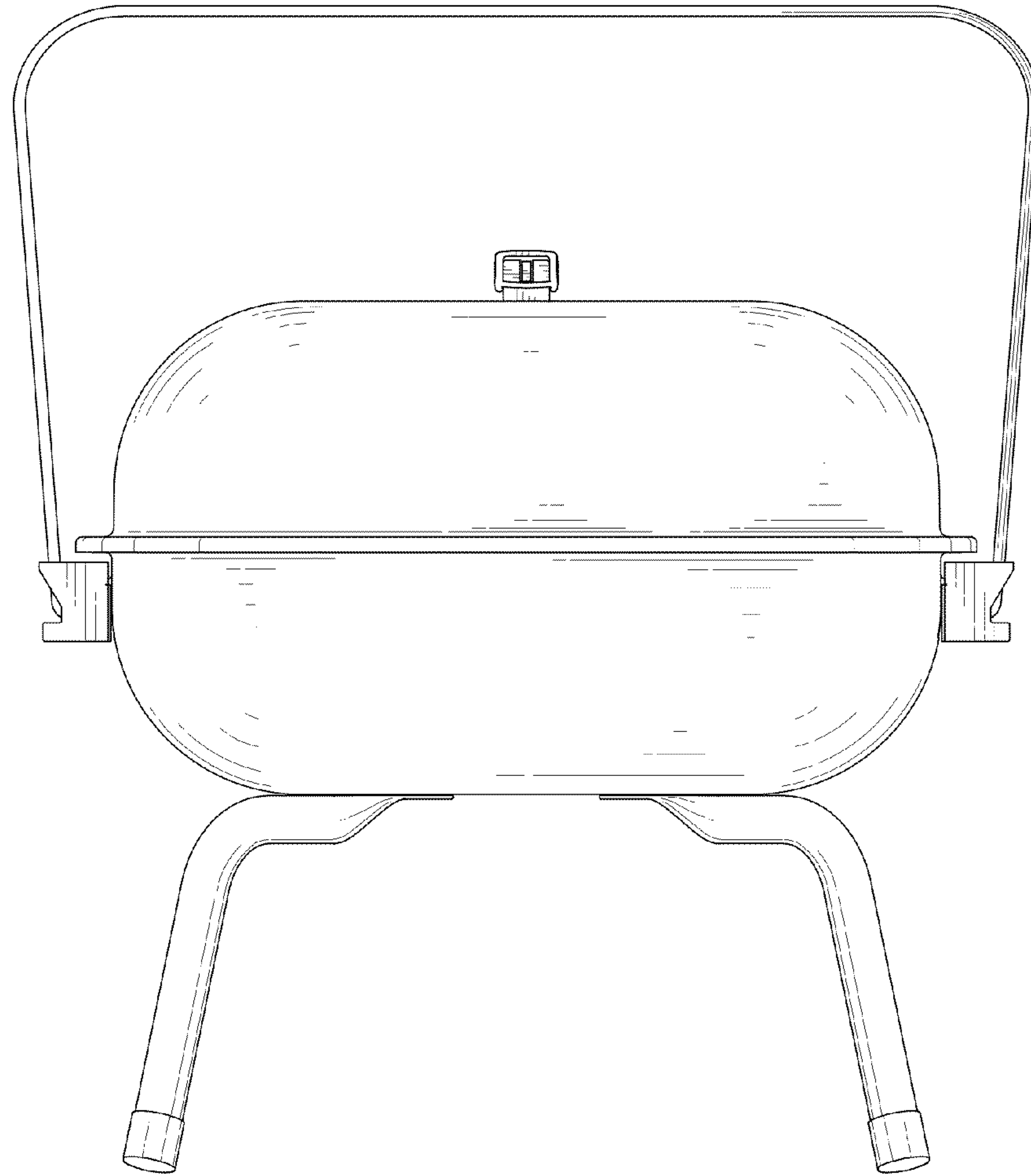


FIG. 3

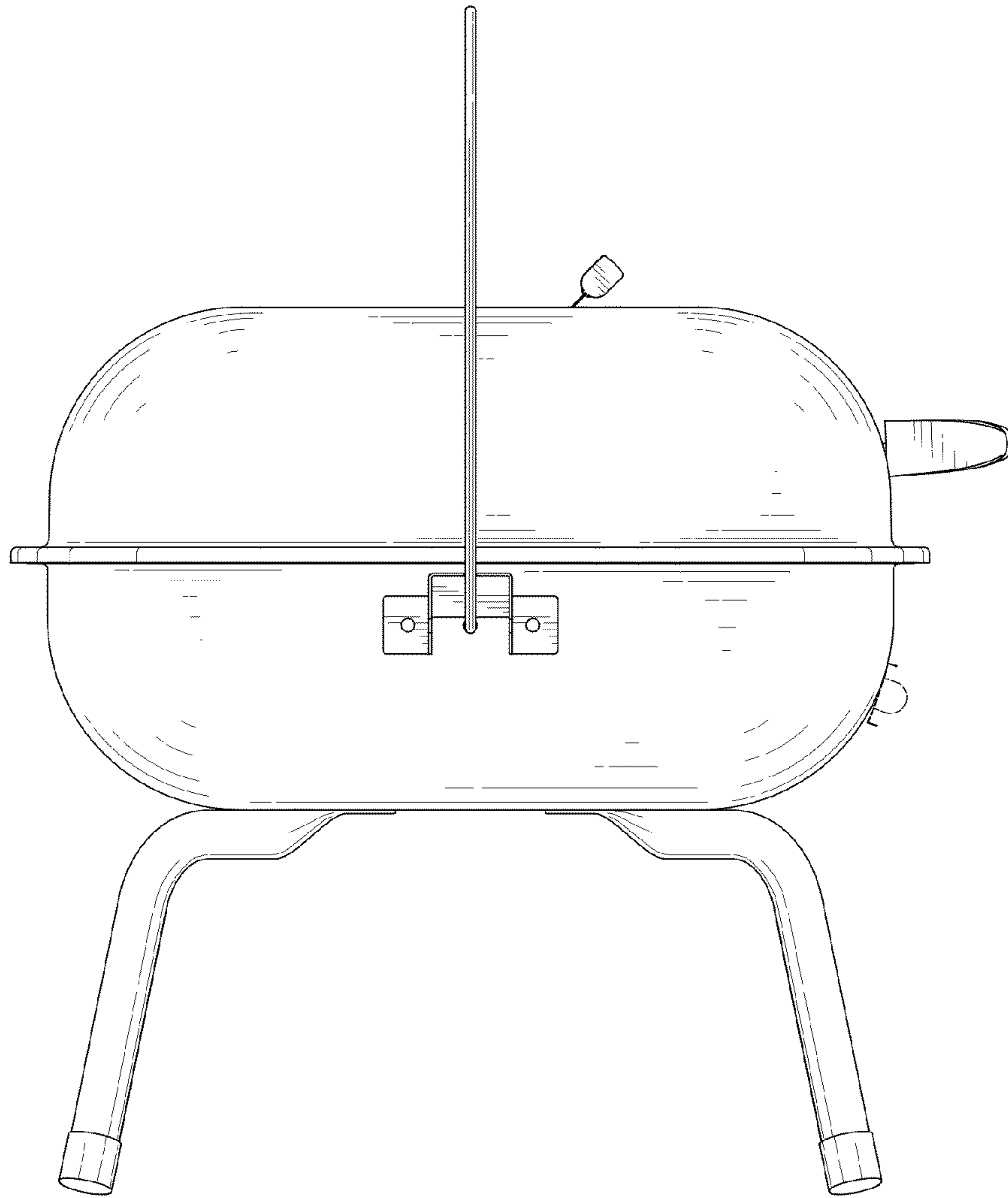


FIG. 4

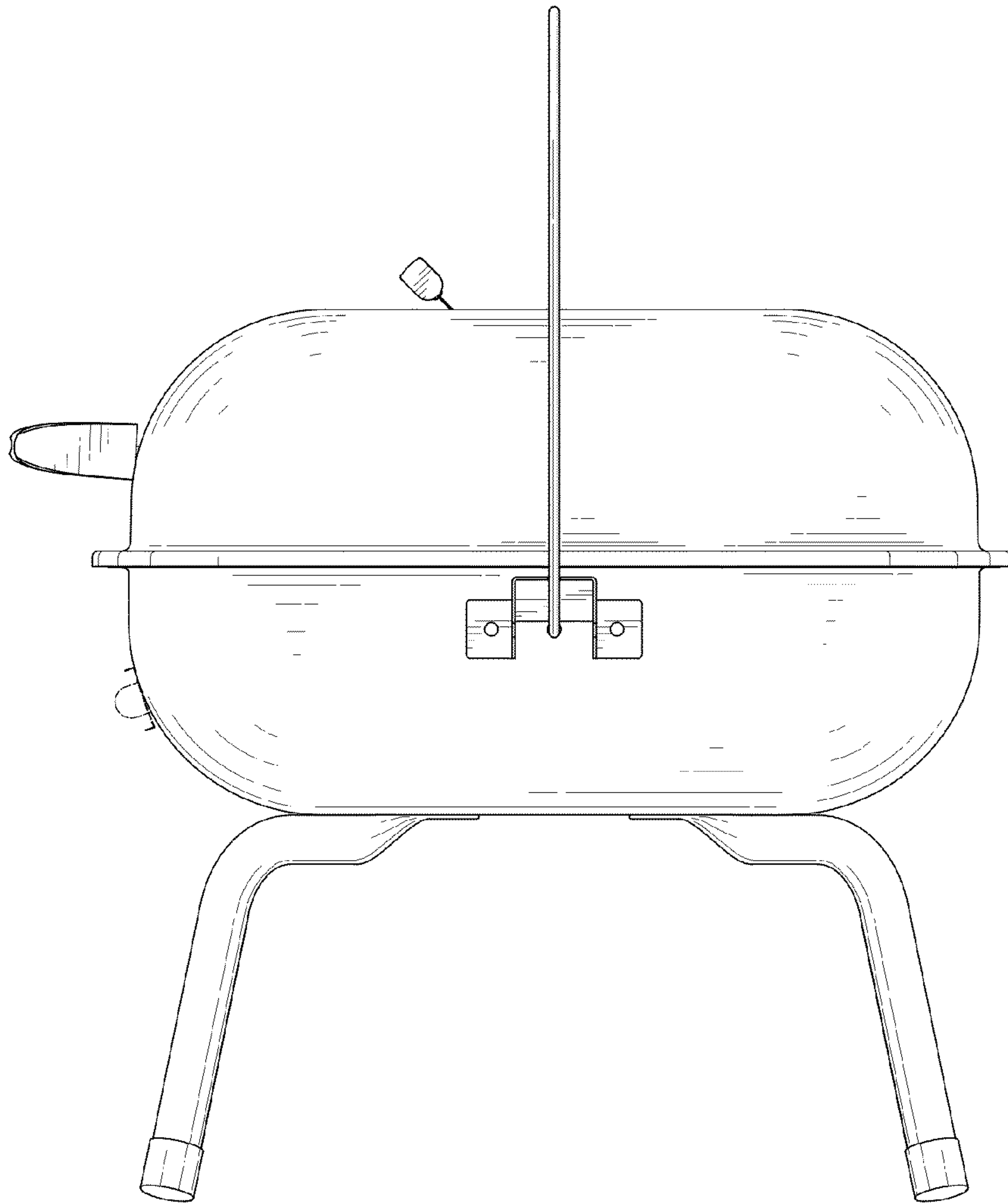


FIG. 5



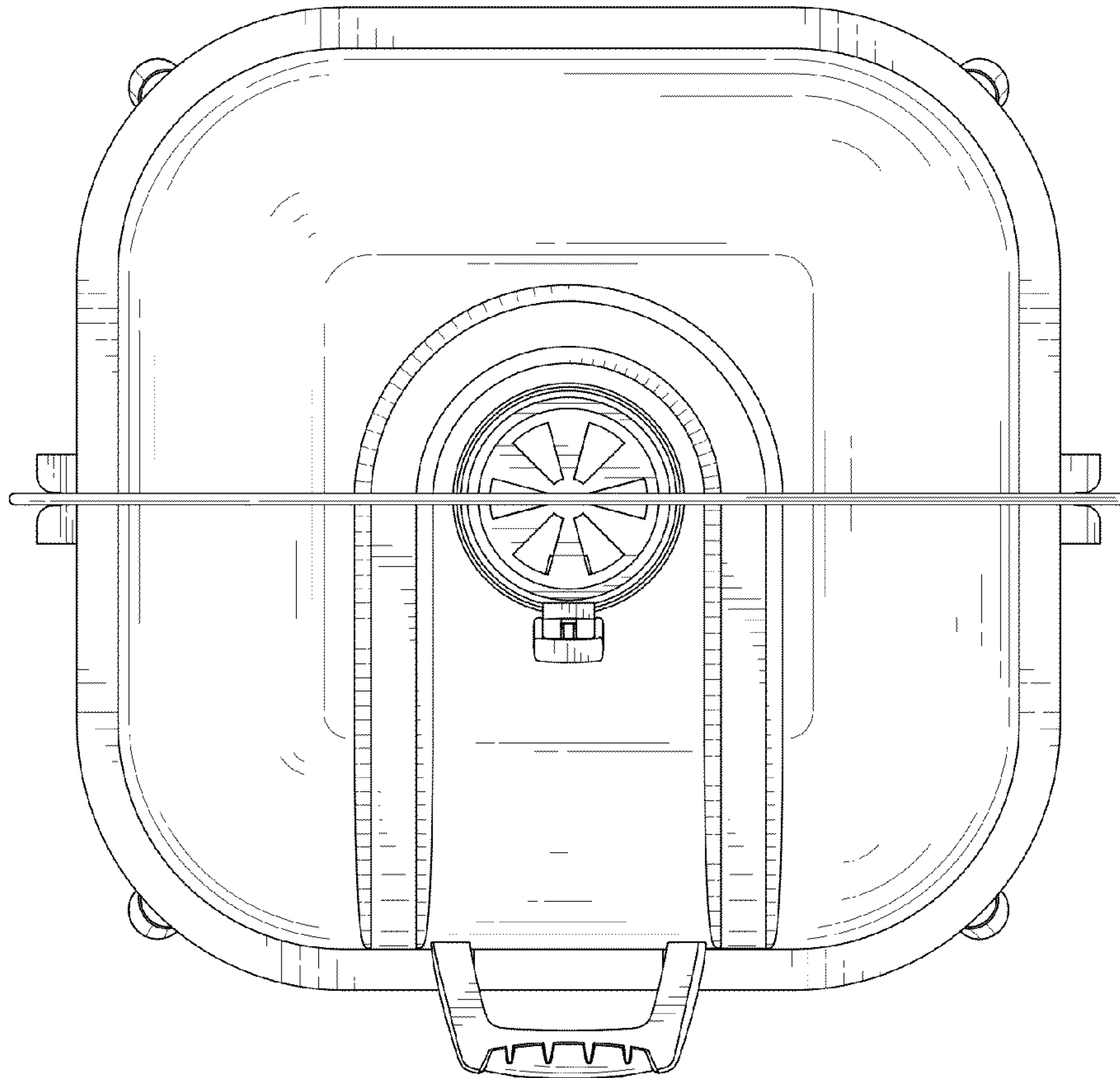


FIG. 6

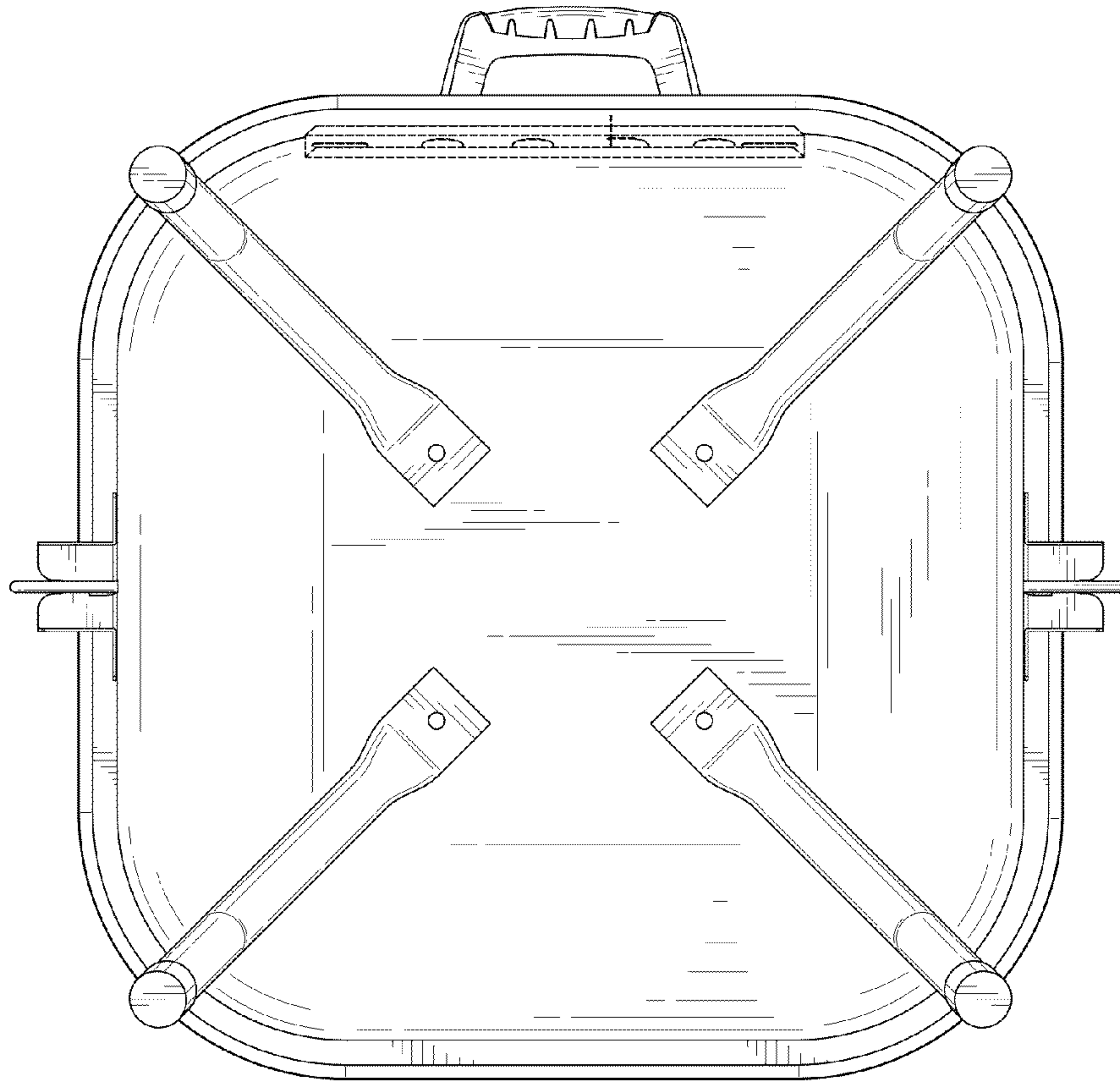


FIG. 7