



US00D724885S

(12) **United States Design Patent**
Kunz

(10) **Patent No.:** **US D724,885 S**
(45) **Date of Patent:** **** Mar. 24, 2015**

(54) **ELECTRIC TOASTER**

(71) Applicant: **SEB, Selongey (FR)**

(72) Inventor: **Anders Kunz, Savigny le Sec (FR)**

(73) Assignee: **SEB, Selongey (FR)**

(**) Term: **14 Years**

(21) Appl. No.: **29/495,488**

(22) Filed: **Jul. 1, 2014**

(30) **Foreign Application Priority Data**

Jan. 7, 2014 (EM) 001397806-0001

(51) **LOC (10) Cl.** **07-02**

(52) **U.S. Cl.**
USPC **D7/330**

(58) **Field of Classification Search**
CPC A21B 2/00; A47J 37/00; A47J 37/06;
A47J 37/0611; A47J 37/08; A47J 37/0807;
A47J 37/0814; A47J 37/0835; A47J 37/0842;
A47J 37/085; A47J 37/0864; A47J 37/0878;
A47J 37/0885; A47J 37/0892; F24C 15/10;
F24C 15/102
USPC D7/323, 328-330, 350.4, 390;
99/326-327, 331-332, 357, 372, 375,
99/385-402; 219/388, 405, 450.1, 532
See application file for complete search history.

(56) **References Cited**

U.S. PATENT DOCUMENTS

D91,978 S	4/1934	Barnes et al.	
D142,037 S	8/1945	Page	
D383,352 S	9/1997	Powel	
D413,224 S *	8/1999	Cruz et al.	D7/330
D461,088 S	8/2002	Cheah et al.	
D461,089 S	8/2002	Cheah et al.	
D465,690 S	11/2002	Ancona et al.	

D489,565 S	5/2004	Averty	
D502,839 S *	3/2005	Cuffaro et al.	D7/330
D503,581 S *	4/2005	Wong et al.	D7/330
D505,585 S	5/2005	MacWilliam	
D509,702 S *	9/2005	Picozza et al.	D7/330
D510,676 S *	10/2005	Picozza et al.	D7/330
D520,801 S *	5/2006	Cuffaro et al.	D7/330
D524,089 S	7/2006	Boyle et al.	
D524,591 S	7/2006	Averty	
D527,568 S *	9/2006	Page et al.	D7/330
D527,570 S	9/2006	Averty	
D528,348 S	9/2006	Averty	
D567,570 S *	4/2008	O'Loughlin	D7/330
D613,546 S *	4/2010	Picozza et al.	D7/330
D622,092 S *	8/2010	Picozza et al.	D7/330
D644,473 S *	9/2011	Pantaleo et al.	D7/330

(Continued)

Primary Examiner — Ricky Pham

(74) *Attorney, Agent, or Firm* — Loeb & Loeb LLP

(57) **CLAIM**

The ornamental design for an electric toaster, as shown and described.

DESCRIPTION

FIG. 1 is a perspective view of an embodiment of an electric toaster showing my new design.

FIG. 2 is a front elevational view of the electric toaster of FIG. 1.

FIG. 3 is a rear elevational view of the electric toaster of FIG. 1.

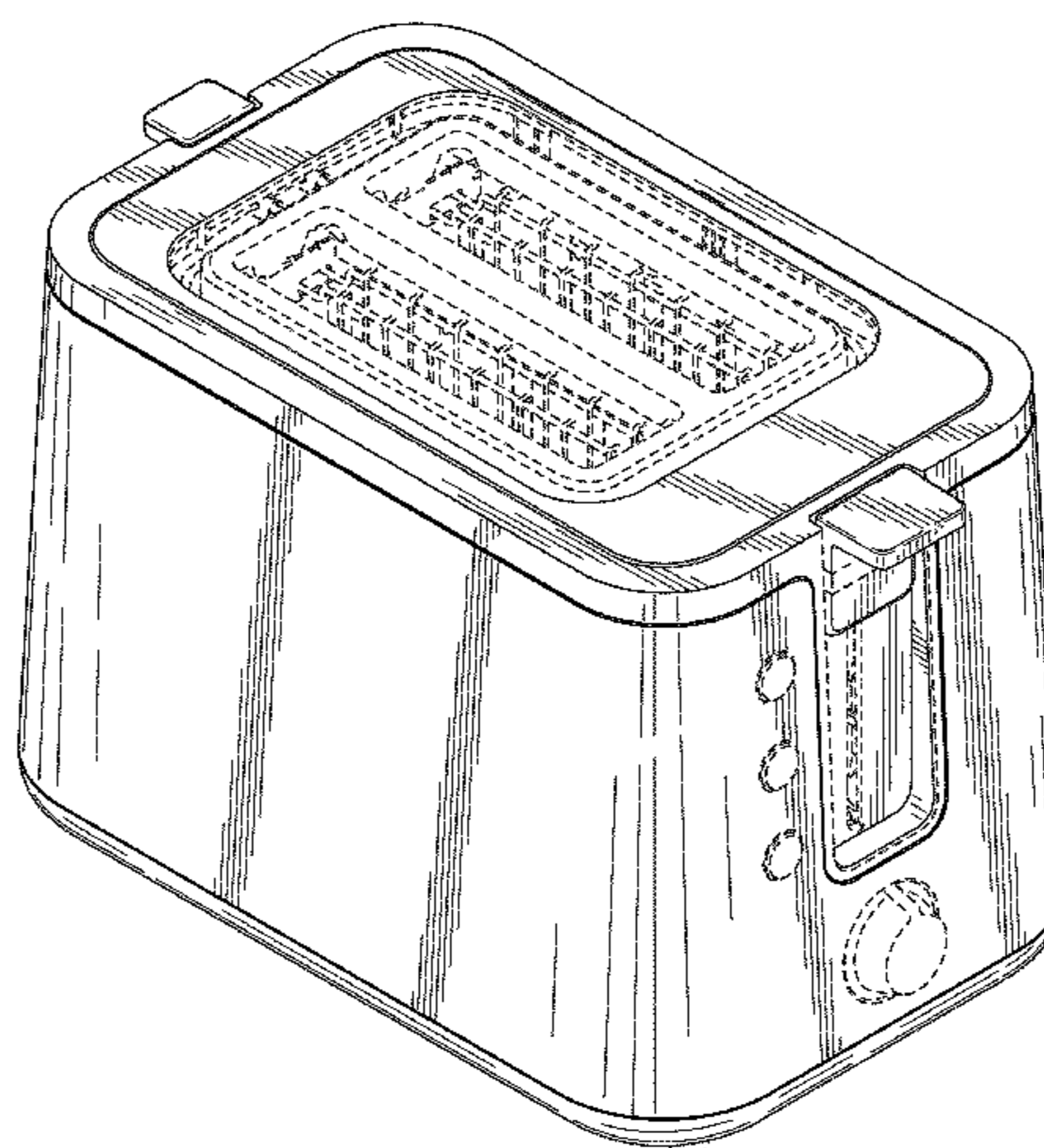
FIG. 4 is a right side elevational view of the electric toaster of FIG. 1.

FIG. 5 is a left side elevational view of the electric toaster of FIG. 1.

FIG. 6 is a top plan view of the electric toaster of FIG. 1; and, FIG. 7 is a bottom plan view of the electric toaster of FIG. 1.

The broken lines appearing in the figures are for the purpose of illustrating the environmental structure of the article of the claimed design and form no part of the claimed design.

1 Claim, 7 Drawing Sheets



(56)

References Cited

U.S. PATENT DOCUMENTS

D661,940 S 6/2012 Averty
D661,941 S 6/2012 Averty

D688,509 S * 8/2013 Carlson D7/330
D701,720 S * 4/2014 Palermo et al. D7/330
2004/0211324 A1 10/2004 Wanat

* cited by examiner

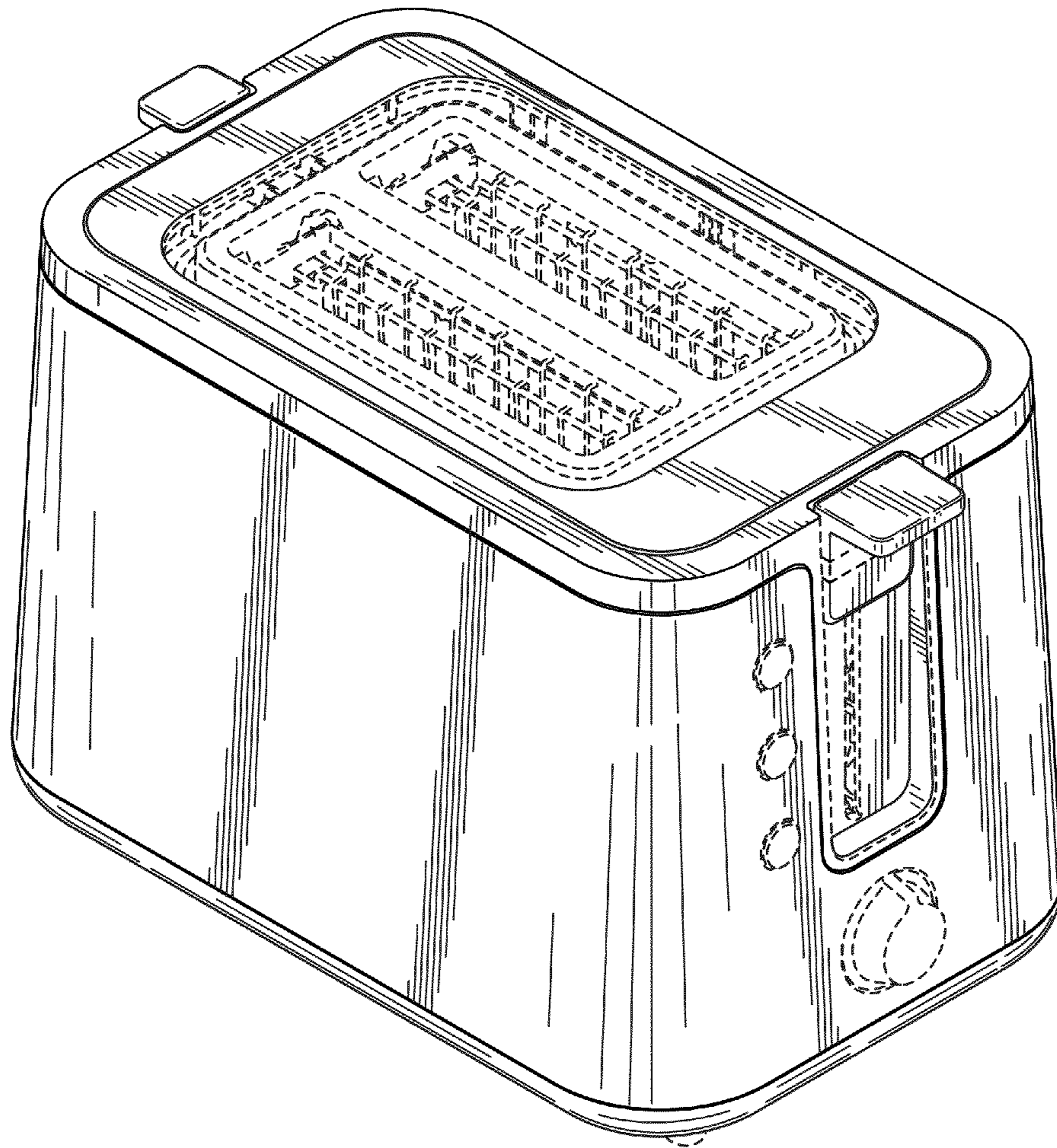


FIG. 1

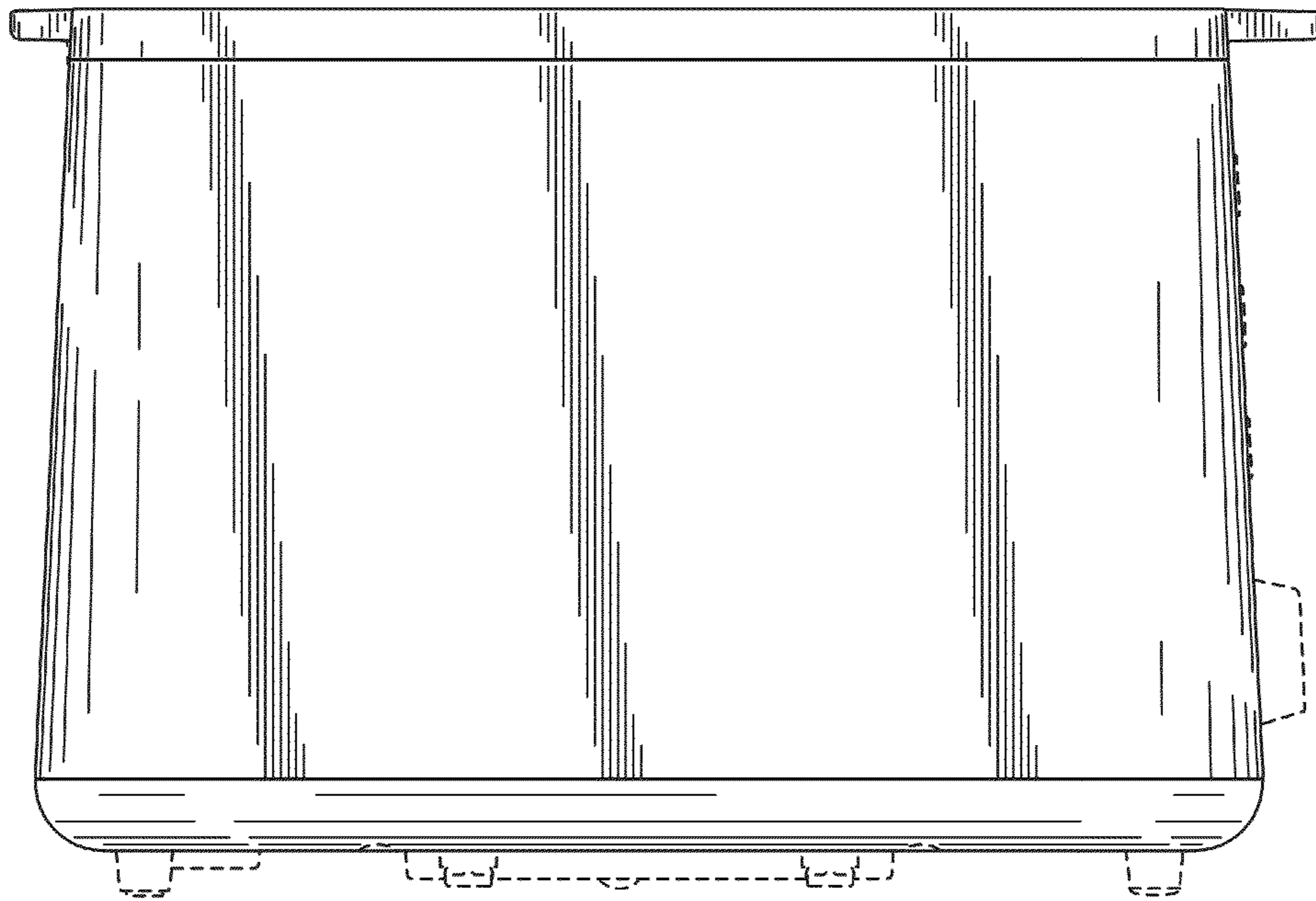


FIG. 2

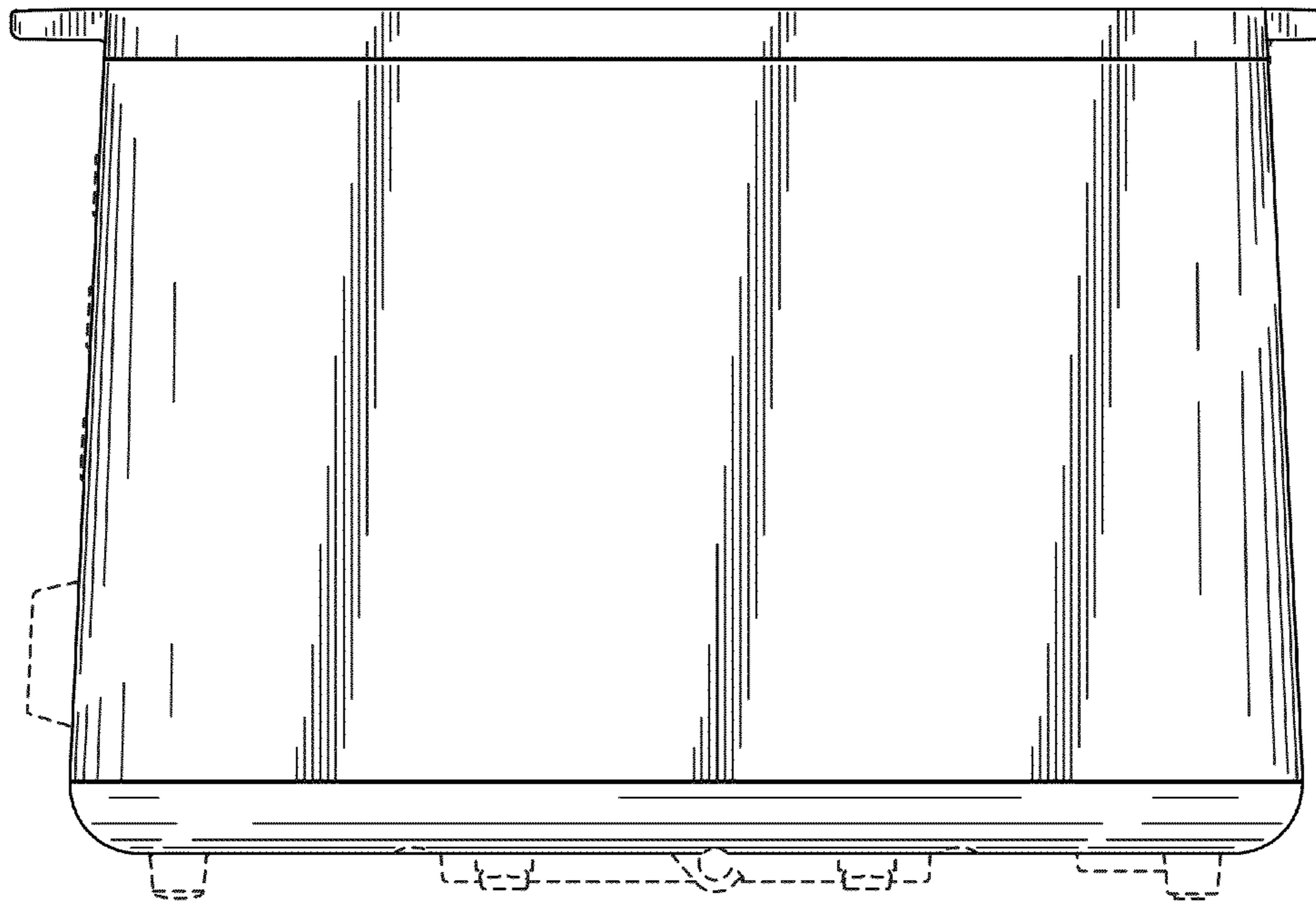


FIG. 3

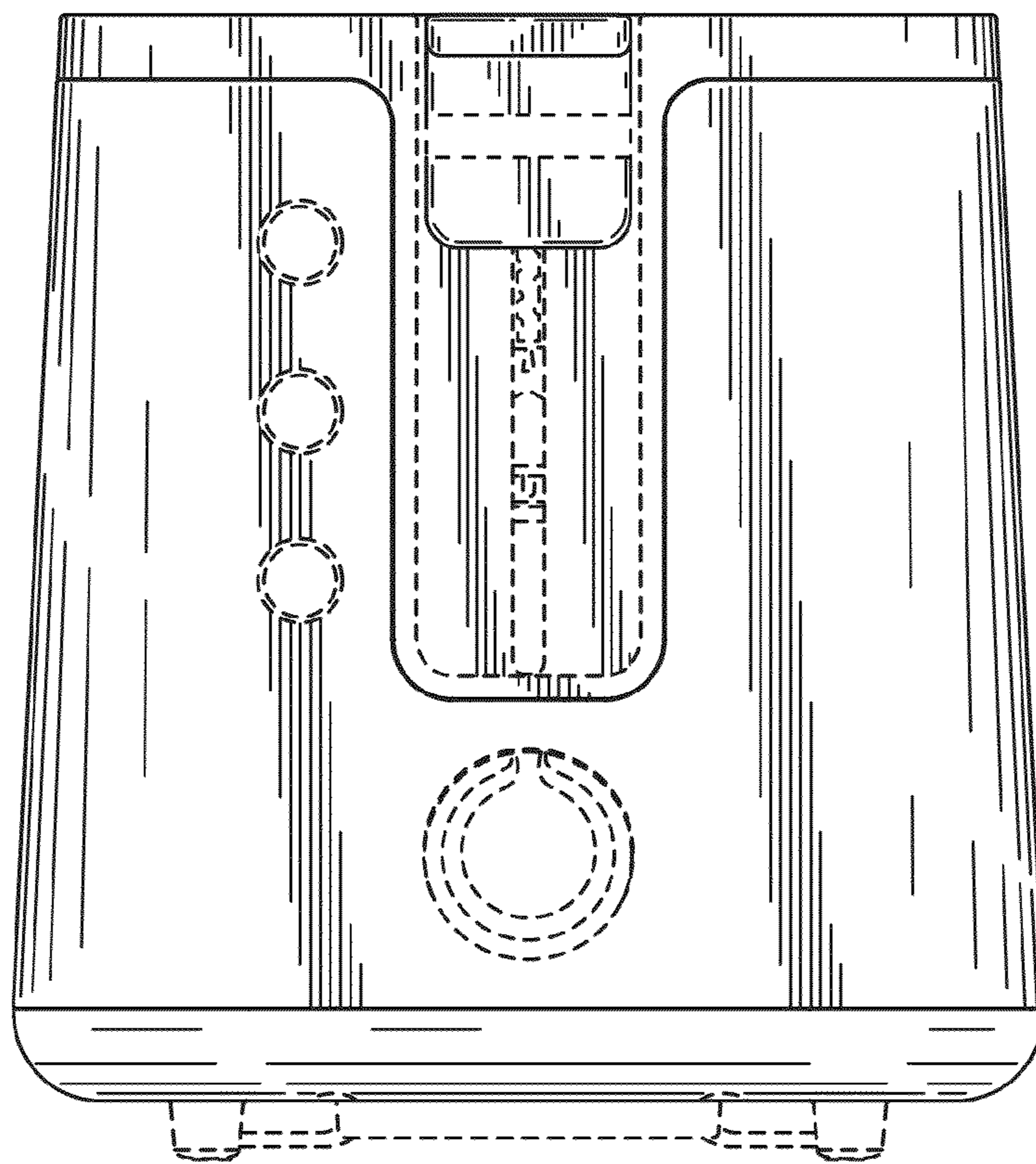


FIG. 4

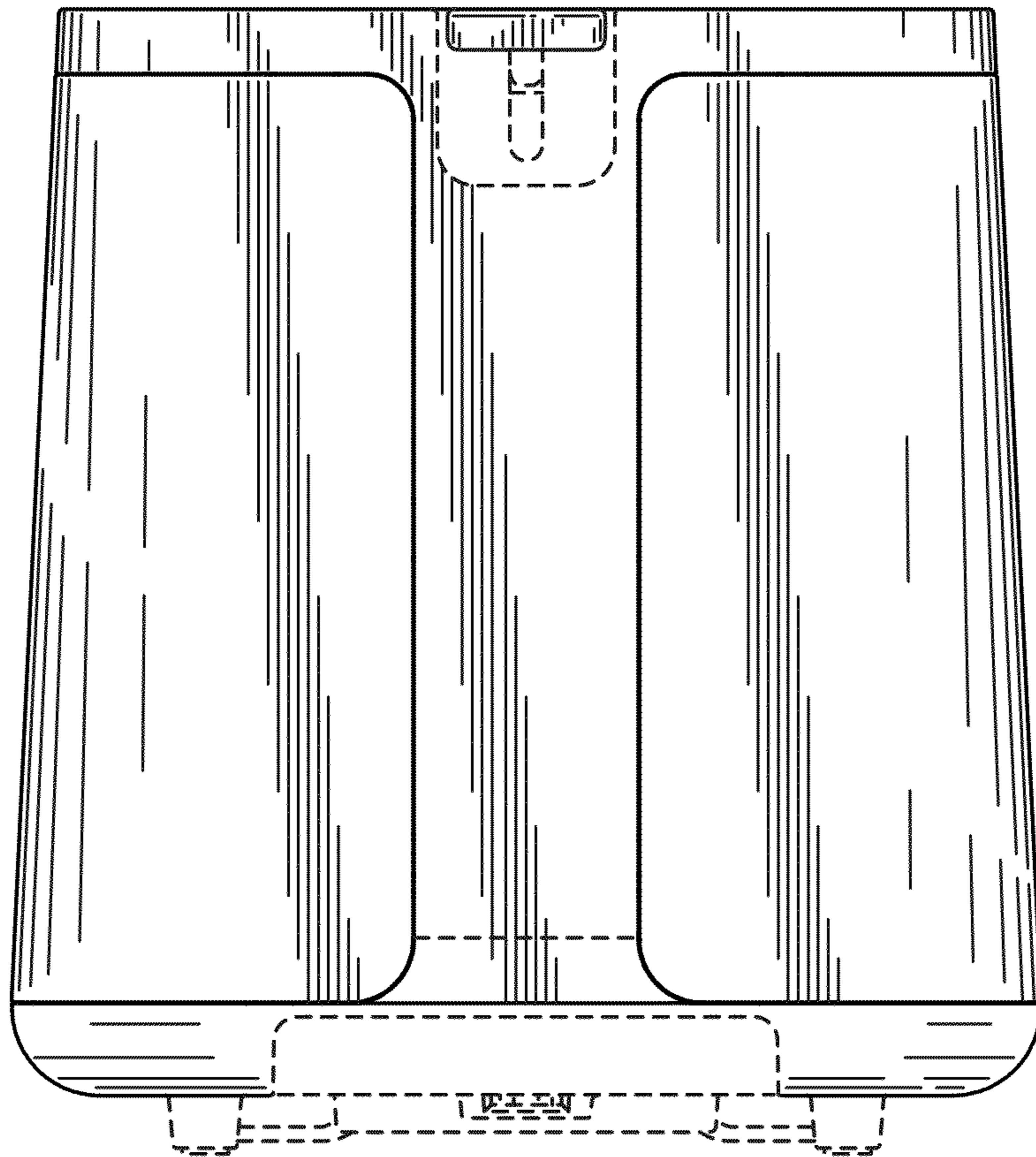


FIG. 5

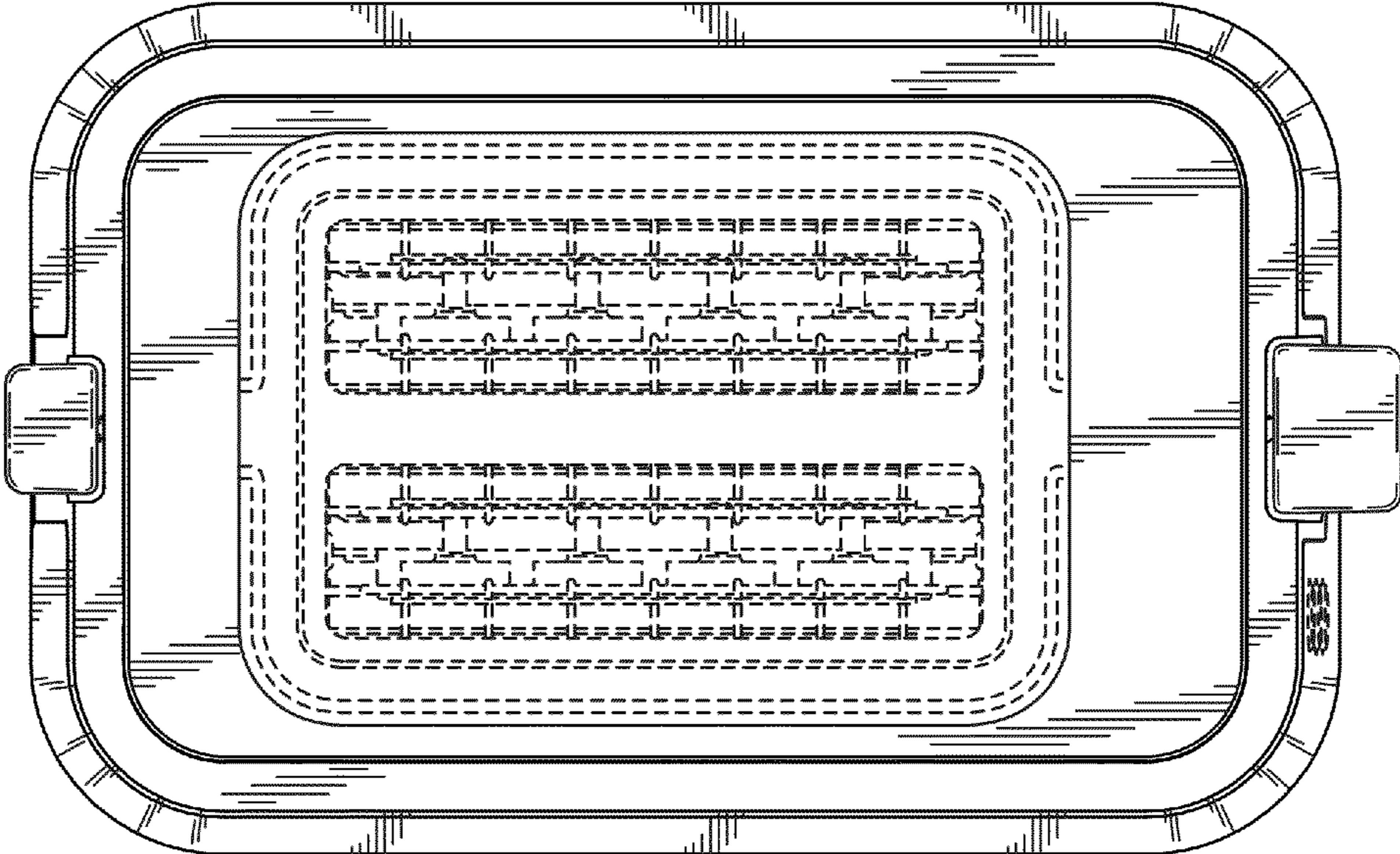


FIG. 6

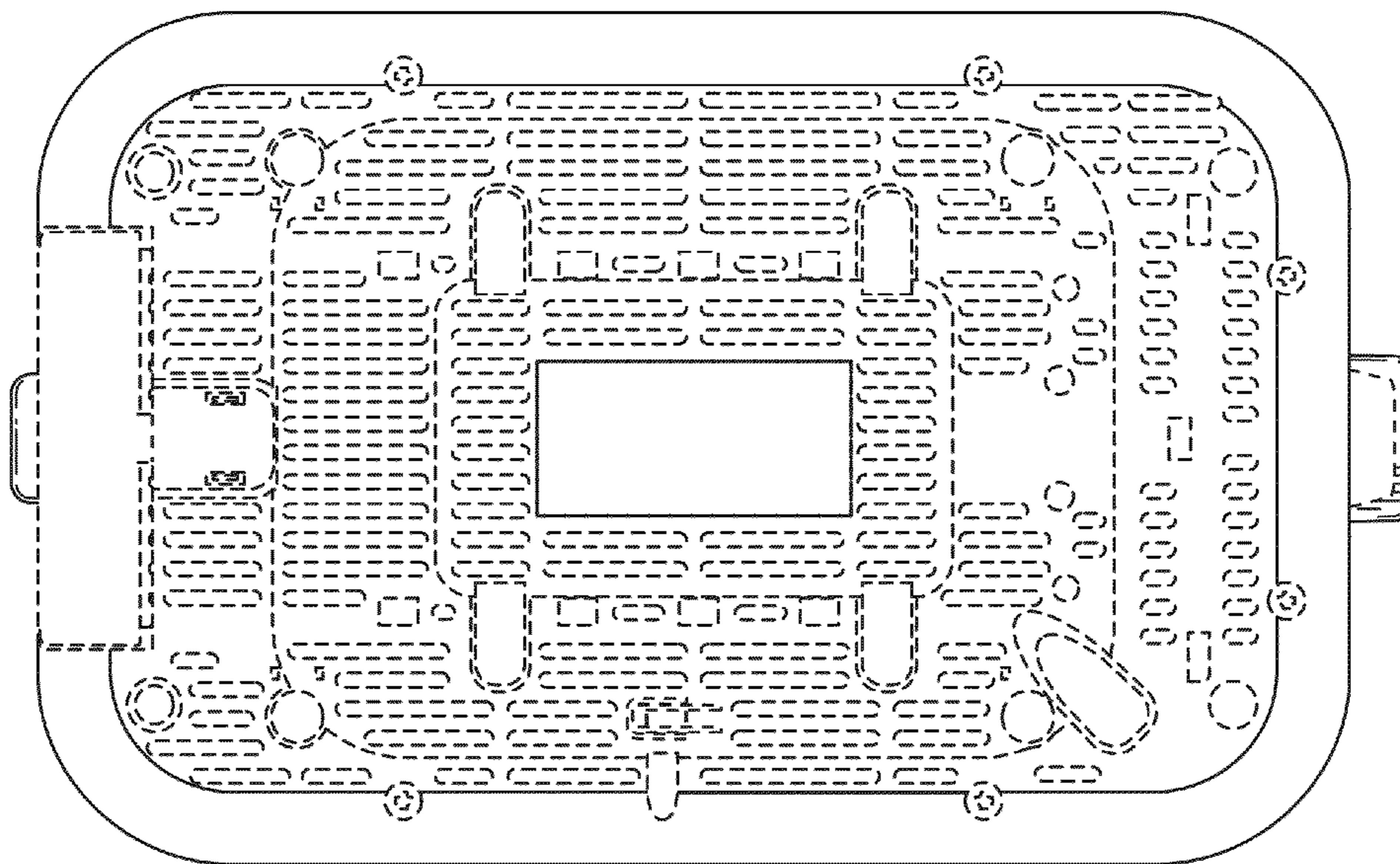


FIG. 7