



US00D724883S

(12) **United States Design Patent**  
**Lamb et al.**

(10) **Patent No.:** **US D724,883 S**  
(45) **Date of Patent:** **\*\* Mar. 24, 2015**

(54) **DOMESTIC SODA-WATER PREPARING DEVICE**

(71) Applicant: **Soda Stream Industries Ltd., Air Port (IL)**

(72) Inventors: **Gabriel Joshua Lamb, Burlingame, CA (US); Yves Behar, San Francisco, CA (US)**

(73) Assignee: **Soda Stream Industries Ltd, Air Port (IL)**

(\*\*) Term: **14 Years**

(21) Appl. No.: **29/483,162**

(22) Filed: **Feb. 26, 2014**

(30) **Foreign Application Priority Data**

Aug. 29, 2013 (IL) ..... 54513

(51) **LOC (10) Cl.** ..... **07-01**

(52) **U.S. Cl.**  
USPC ..... **D7/306; D7/311**

(58) **Field of Classification Search**  
CPC ..... B67D 3/00  
USPC ..... D7/306-311, 301, 300, 326, 305, 386,  
D7/399, 397; 99/281, 305, 307, 280, 284,  
99/300; 141/247; 222/129.1, 129.3, 145.6;  
D20/4, 5; D23/207; D6/542, 543  
See application file for complete search history.

(56) **References Cited**

**U.S. PATENT DOCUMENTS**

D183,532 S \* 9/1958 McCauley ..... D7/311  
D209,127 S \* 10/1967 Martin ..... D7/309

D229,158 S \* 11/1973 Marotta ..... D7/309  
4,054,085 A \* 10/1977 Tarr ..... 99/284  
D251,564 S \* 4/1979 MacKrell ..... D7/311  
D269,488 S \* 6/1983 Marotta ..... D7/309  
D272,976 S \* 3/1984 LaLumiere ..... D7/311  
4,725,714 A \* 2/1988 Naya et al. .... 392/480  
4,867,048 A \* 9/1989 Brewer ..... 99/283  
D358,290 S \* 5/1995 Schroeder ..... D7/311  
6,082,246 A \* 7/2000 Thorn et al. .... 99/284  
D498,111 S \* 11/2004 Lassota et al. .... D7/309  
D597,782 S \* 8/2009 Webster et al. .... D7/309  
D600,492 S \* 9/2009 Hammad et al. .... D7/309  
D610,857 S \* 3/2010 Pateman et al. .... D7/306  
8,490,540 B2 \* 7/2013 Webster et al. .... 99/280  
D692,713 S \* 11/2013 Diehl ..... D7/309  
D703,476 S \* 4/2014 Behar et al. .... D7/306

\* cited by examiner

*Primary Examiner* — Marianne Pandozzi

(74) *Attorney, Agent, or Firm* — Pearl Cohen Zedek Latzer Baratz LLP

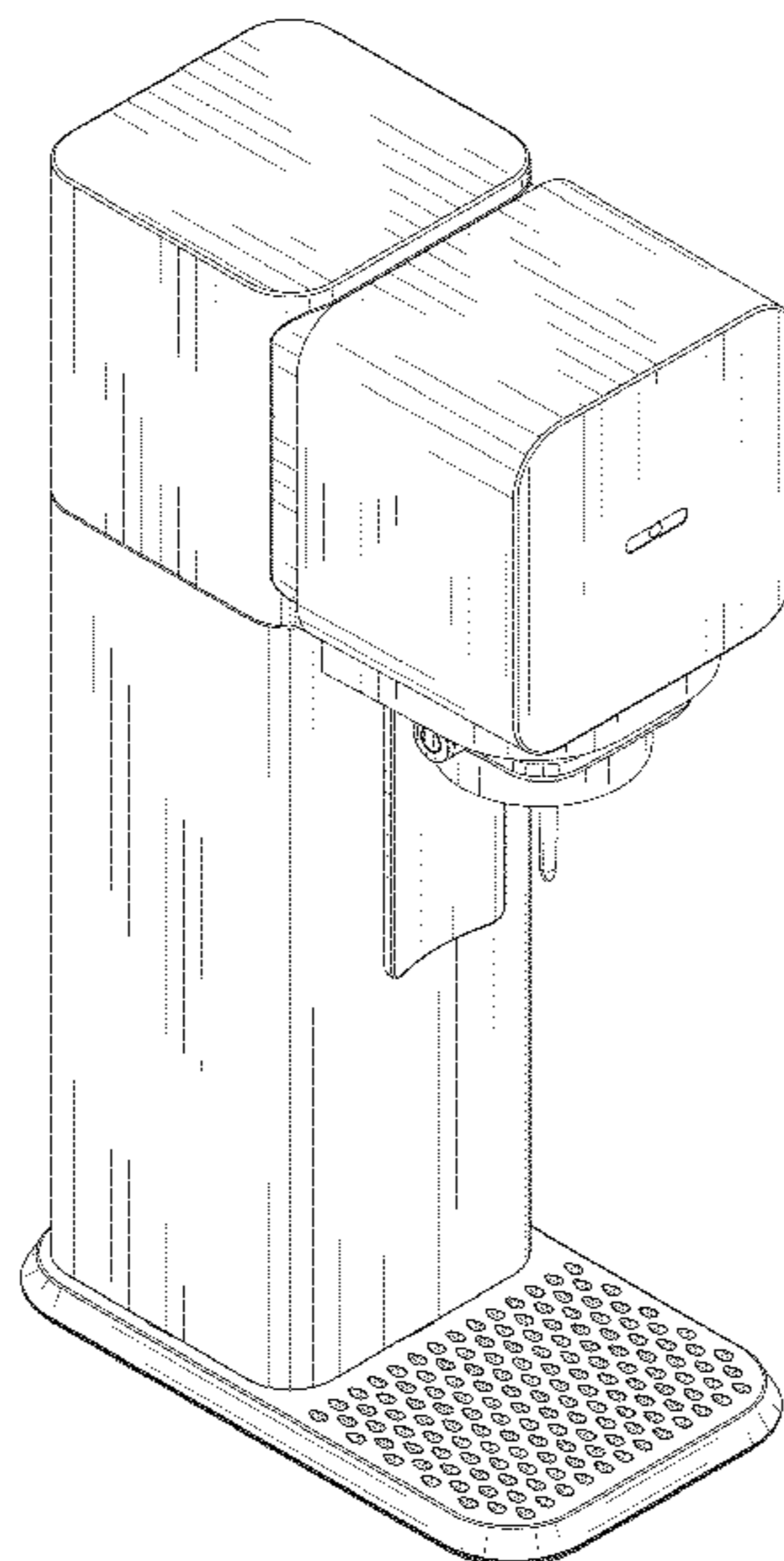
(57) **CLAIM**

The ornamental design for a domestic soda-water preparing device, as shown and described.

**DESCRIPTION**

FIG. 1 is a top, front, left side perspective view of the domestic soda-water preparing device;  
FIG. 2 is a front elevational view thereof;  
FIG. 3 is a back elevational view thereof;  
FIG. 4 is a left side elevational view of thereof;  
FIG. 5 is a right side elevational view of thereof;  
FIG. 6 is a top plan view thereof; and,  
FIG. 7 is a bottom plan view thereof.  
The broken lines that appear on the drawings are included for illustrative purposes only.

**1 Claim, 5 Drawing Sheets**



PERSPECTIVE VIEW

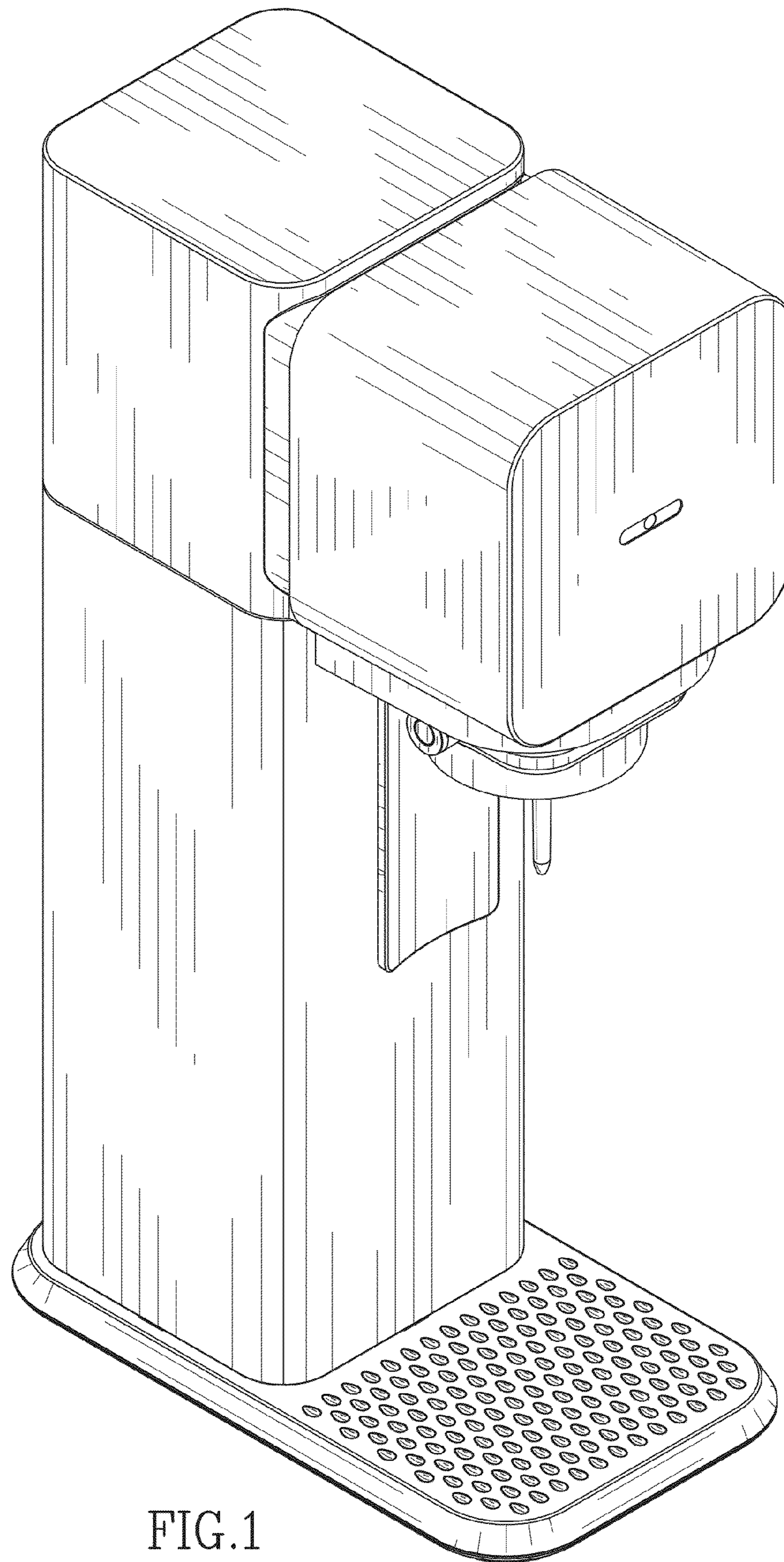


FIG.1  
PERSPECTIVE VIEW

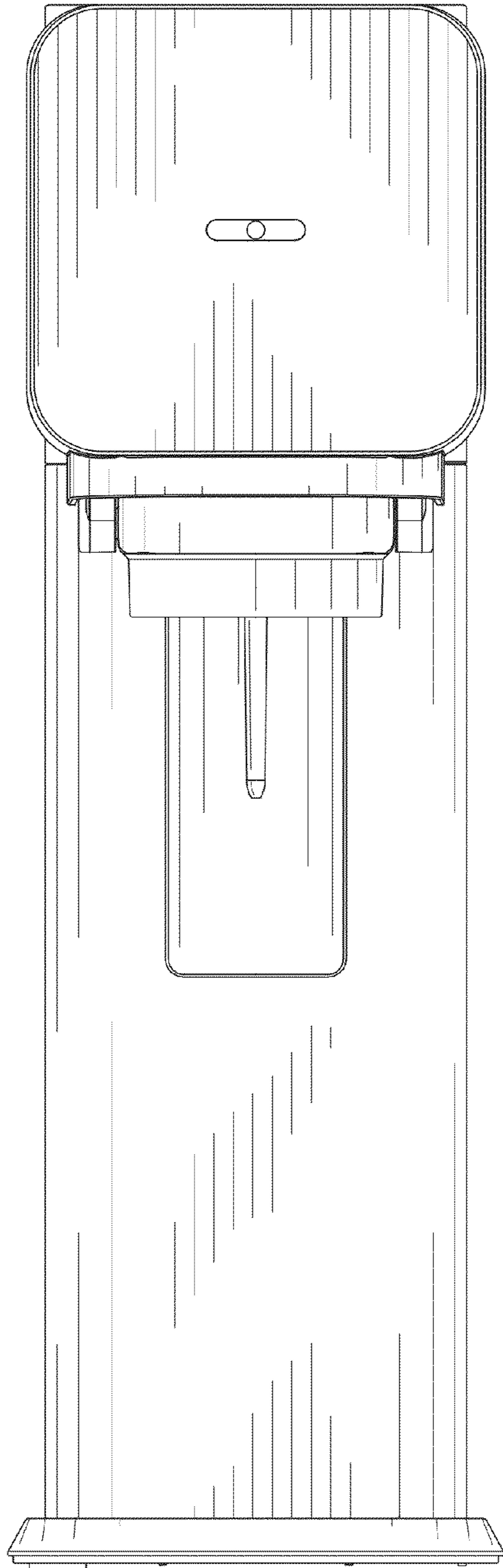


FIG. 2  
FRONT VIEW

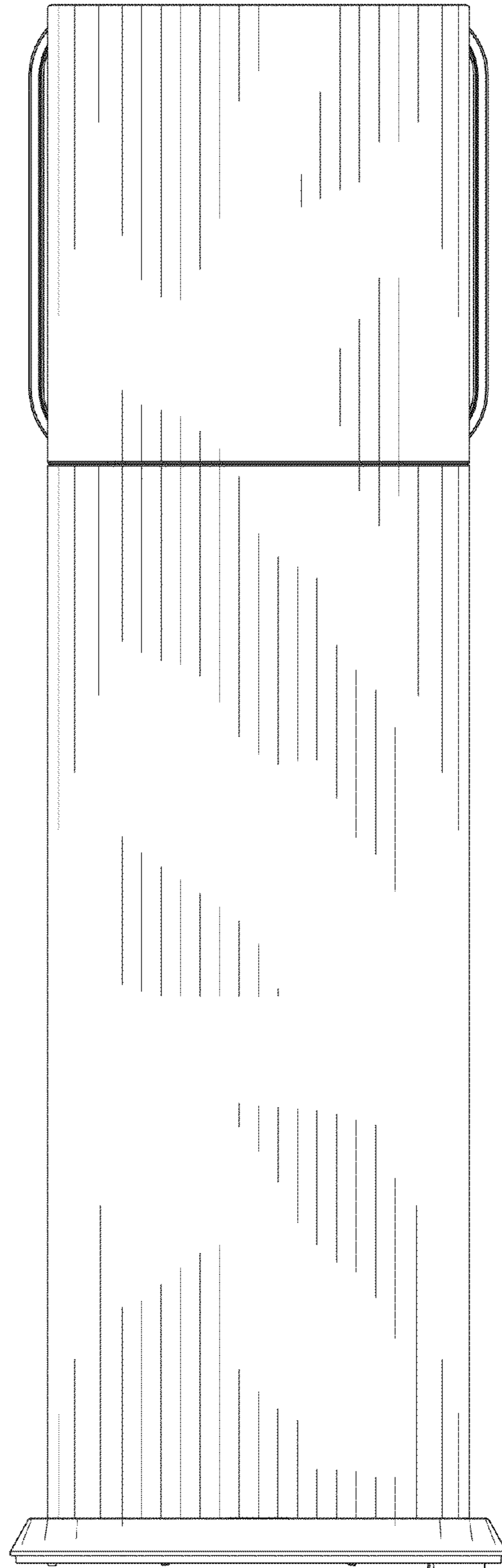


FIG. 3  
REAR VIEW

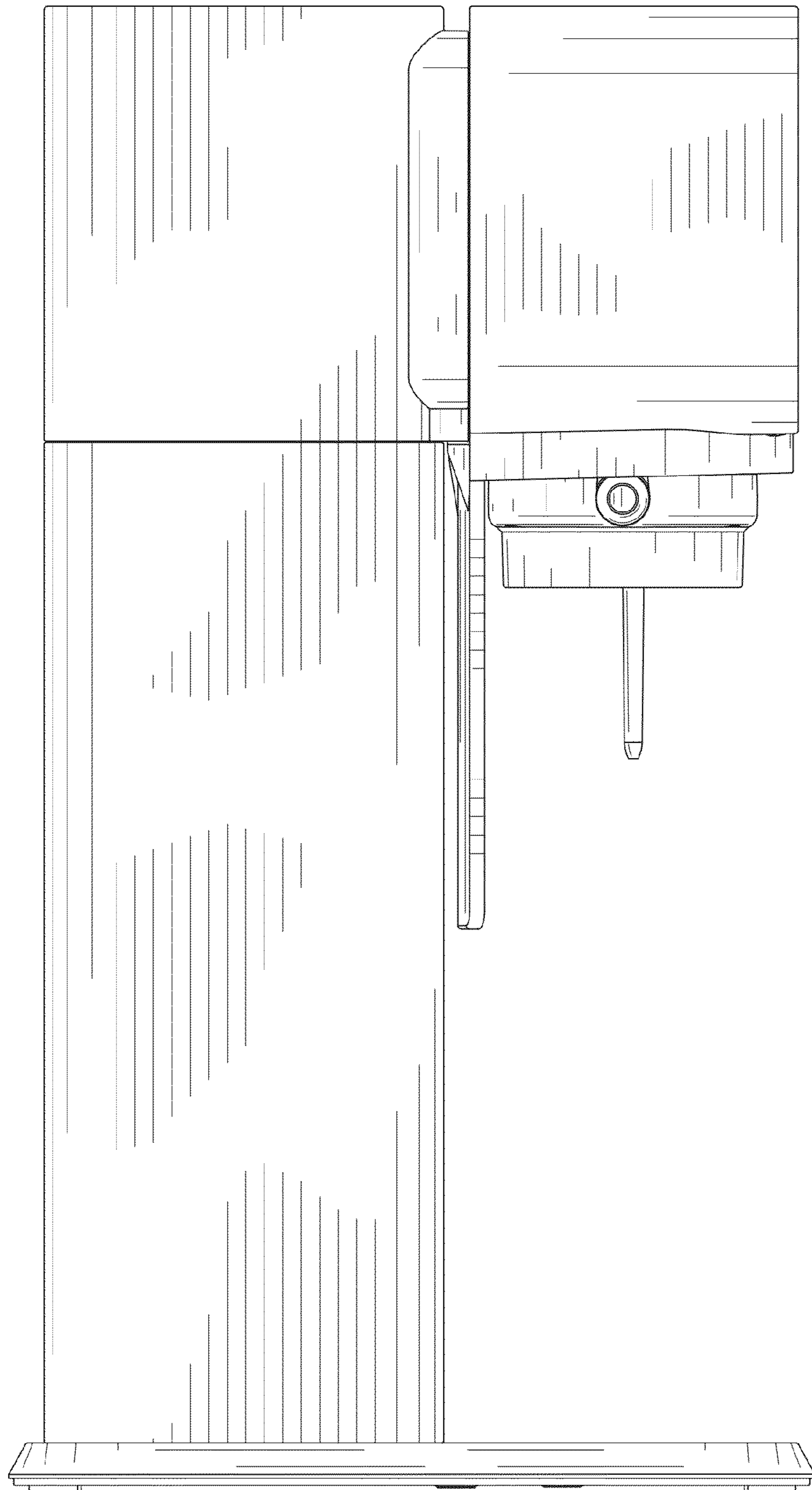


FIG. 4  
SIDE VIEW

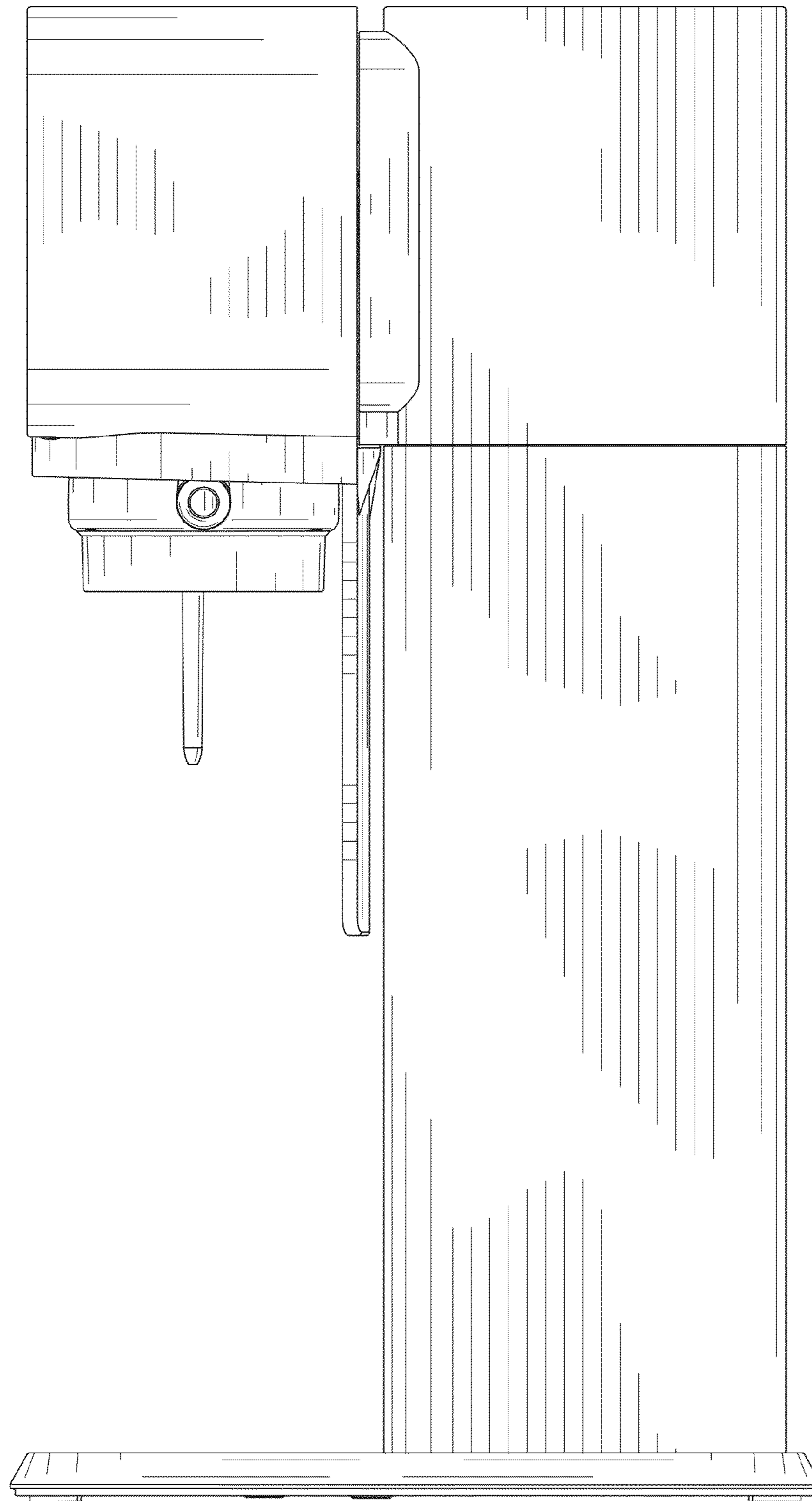


FIG. 5  
SIDE VIEW

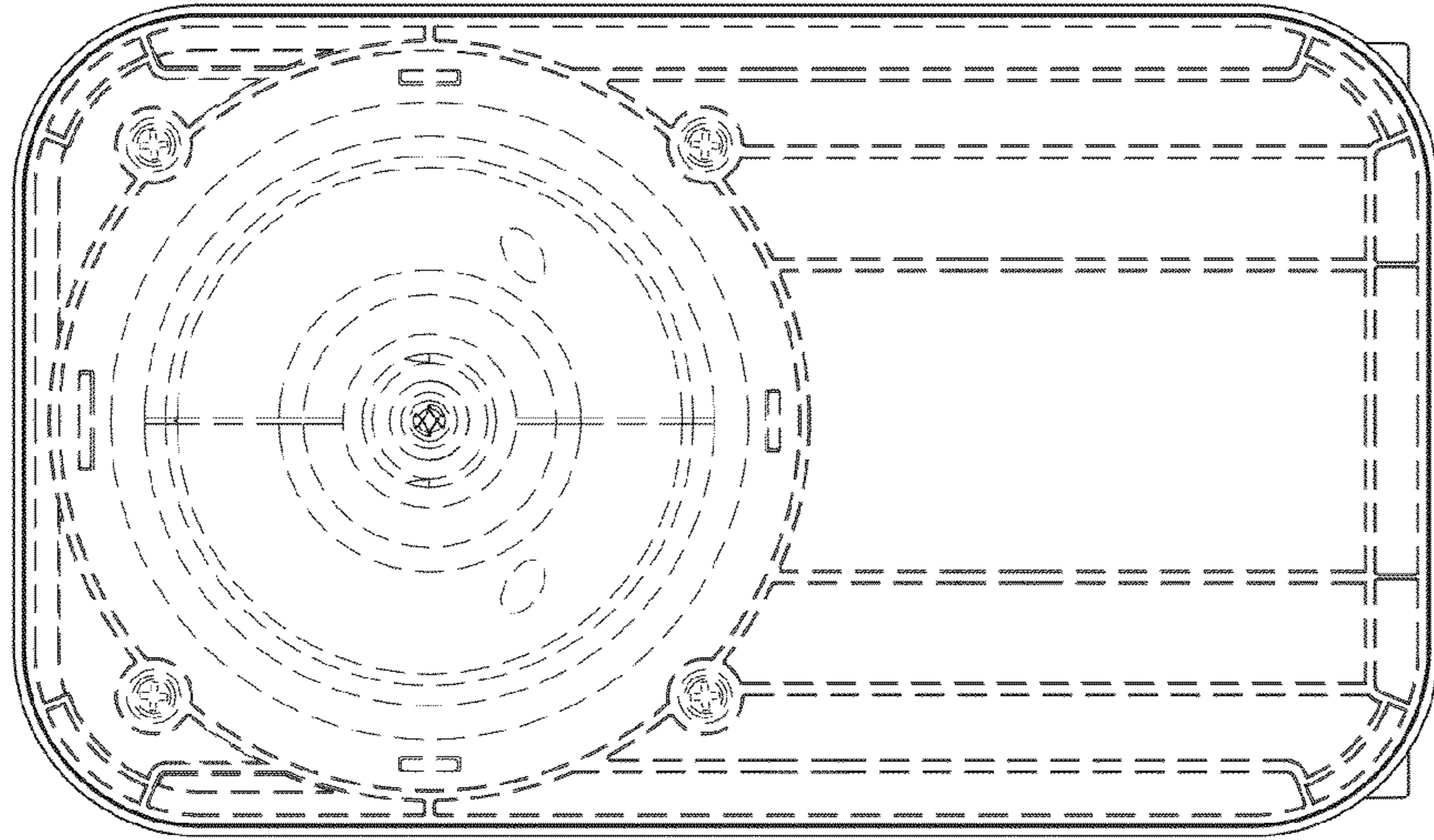


FIG. 7  
BOTTOM VIEW

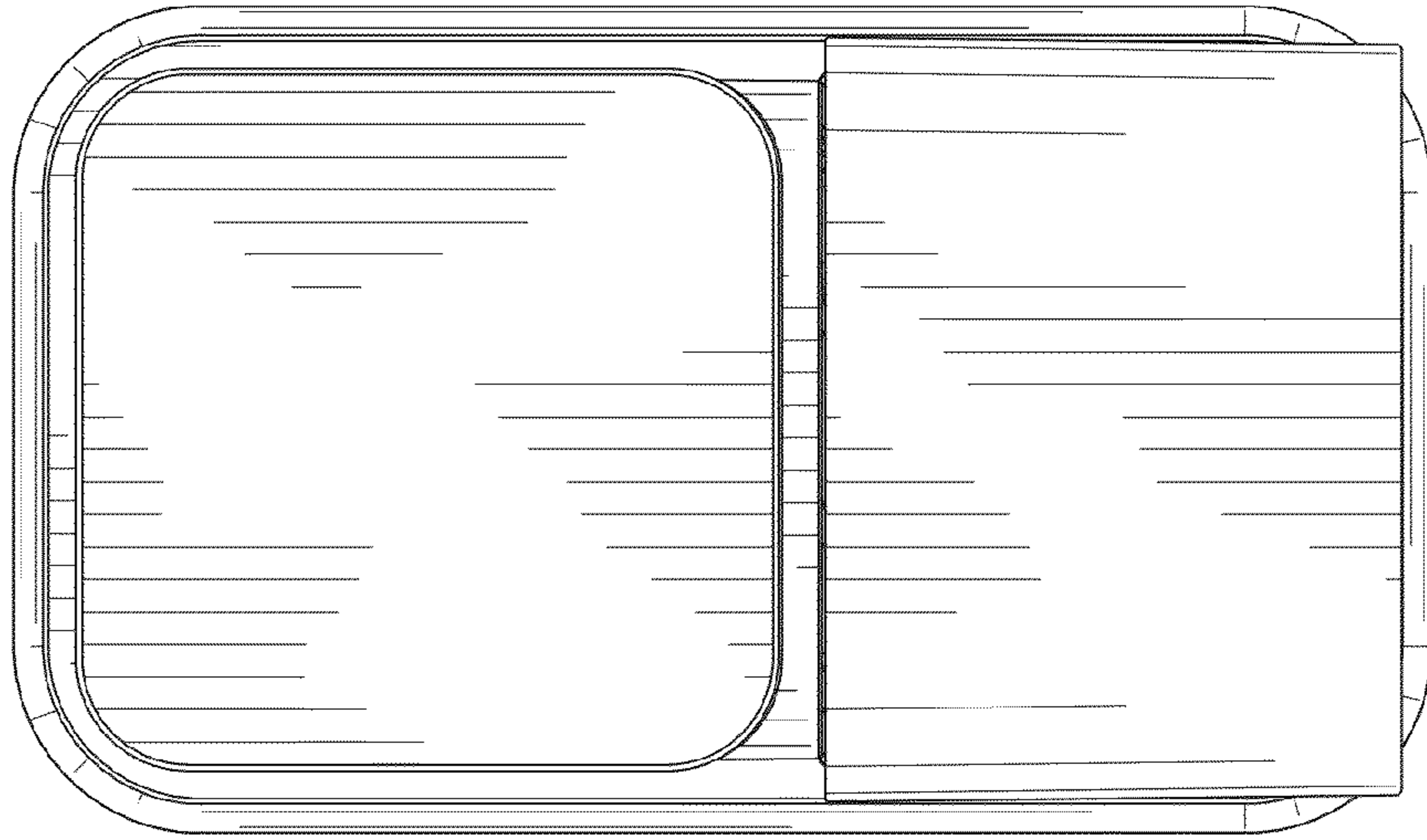


FIG. 6  
TOP VIEW