



US00D724881S

(12) **United States Design Patent**
Tsai

(10) **Patent No.:** **US D724,881 S**
(45) **Date of Patent:** **** Mar. 24, 2015**

(54) **CHAIR BACK FRAME**

(71) Applicant: **Zhongshan Shi Songlin Furniture Co., Ltd.**, Zhongshan, Guangdong Prov. (CN)

(72) Inventor: **Hsuan-Chin Tsai**, Chai-Yi Hsien (TW)

(73) Assignee: **Zhongshan Shi Songlin Furniture Co., Ltd.**, Zhongshan (CN)

(**) Term: **14 Years**

(21) Appl. No.: **29/503,612**

(22) Filed: **Sep. 29, 2014**

(51) **LOC (10) Cl.** **06-01**

(52) **U.S. Cl.**
USPC **D6/716.4**

(58) **Field of Classification Search**
CPC A47C 7/16; A47C 7/40; A47C 7/022;
A47C 7/46; A47C 7/282; B60N 2/68
USPC D6/334-336, 366, 367, 369, 379, 380,
D6/716, 716.4; 297/284.4, 284.7, 452.13,
297/452.18, 452.29, 452.3, 452.56, 452.64

See application file for complete search history.

(56) **References Cited**

U.S. PATENT DOCUMENTS

D595,971 S *	7/2009	Ueda	D6/366
D668,481 S *	10/2012	Hsuan-Chin	D6/716.4
D677,068 S *	3/2013	Chen	D6/366
D684,783 S *	6/2013	Hsiao	D6/366
D684,784 S *	6/2013	Wan et al.	D6/366
D697,732 S *	1/2014	Wan et al.	D6/366
D707,460 S *	6/2014	Giugiaro	D6/366

* cited by examiner

Primary Examiner — Mimoso De

(74) *Attorney, Agent, or Firm* — Alan D. Kamrath; Kamrath IP Lawfirm, P.A.

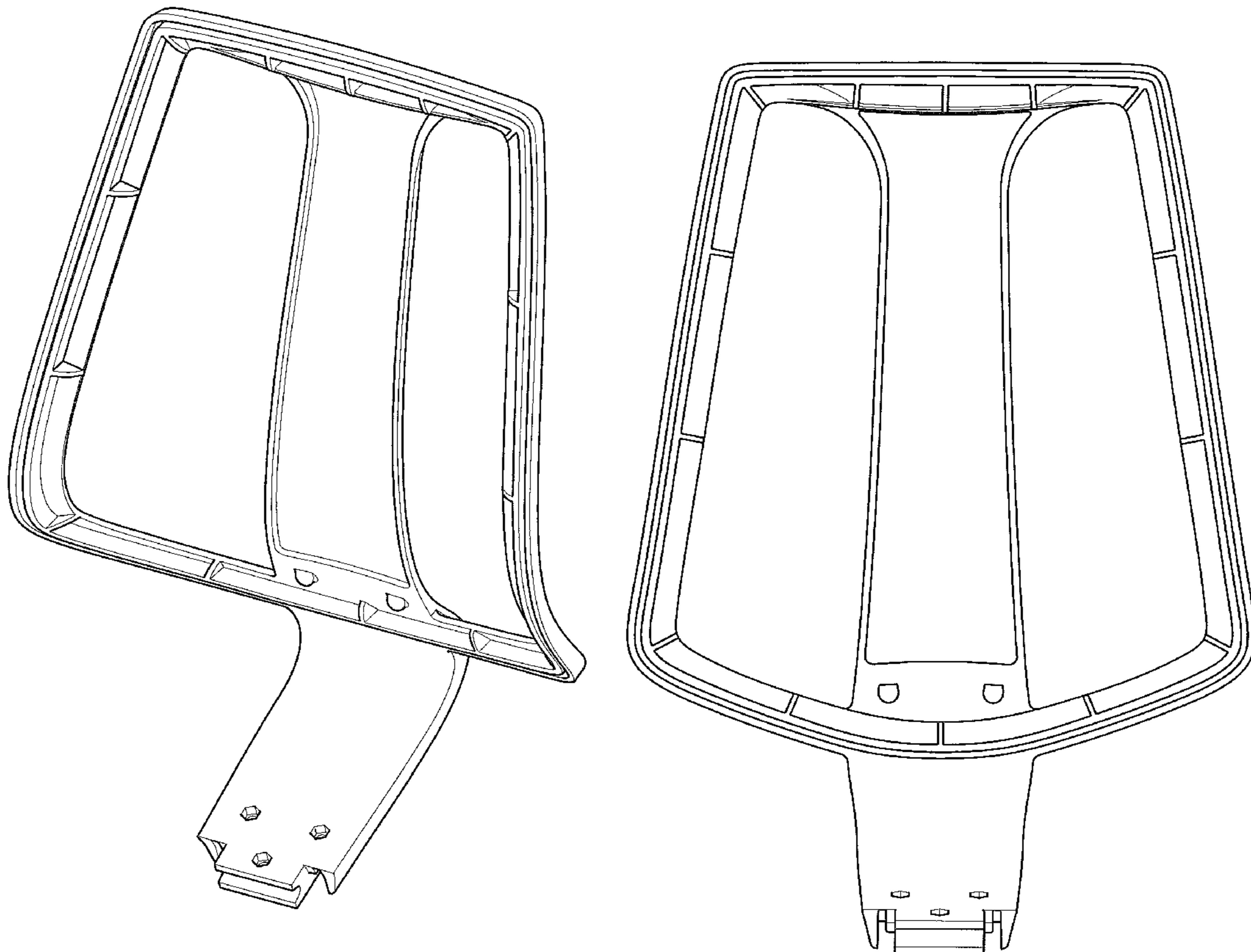
(57) **CLAIM**

The ornamental design for a chair back frame, as shown and described.

DESCRIPTION

FIG. 1 is a perspective view of a chair back frame, showing my new design;
FIG. 2 is a front elevational view thereof;
FIG. 3 is a rear elevational view thereof;
FIG. 4 is a left side view thereof;
FIG. 5 is a right side view thereof;
FIG. 6 is a top plan view thereof; and,
FIG. 7 is a bottom plan view thereof.

1 Claim, 5 Drawing Sheets



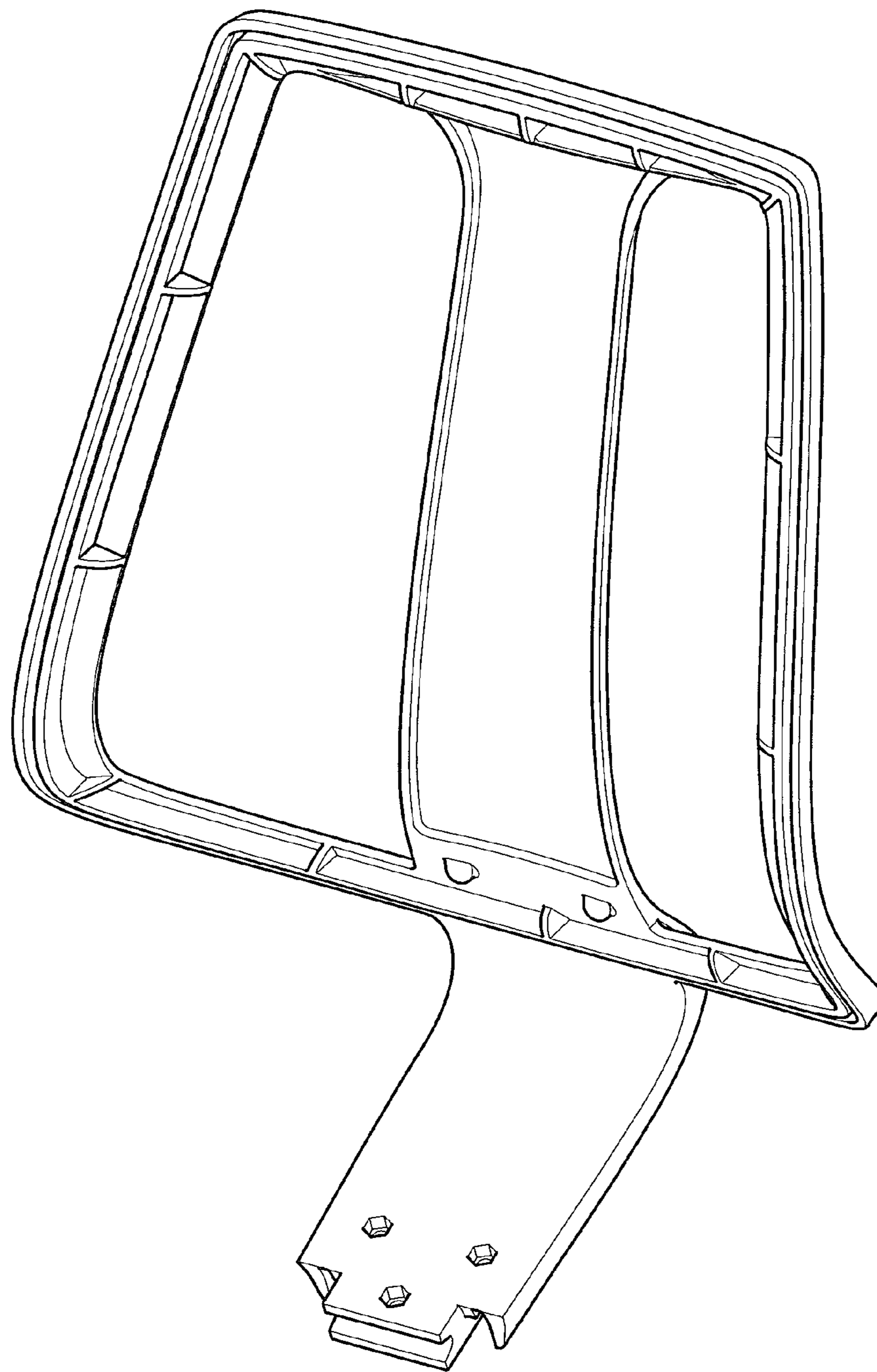


FIG. 1

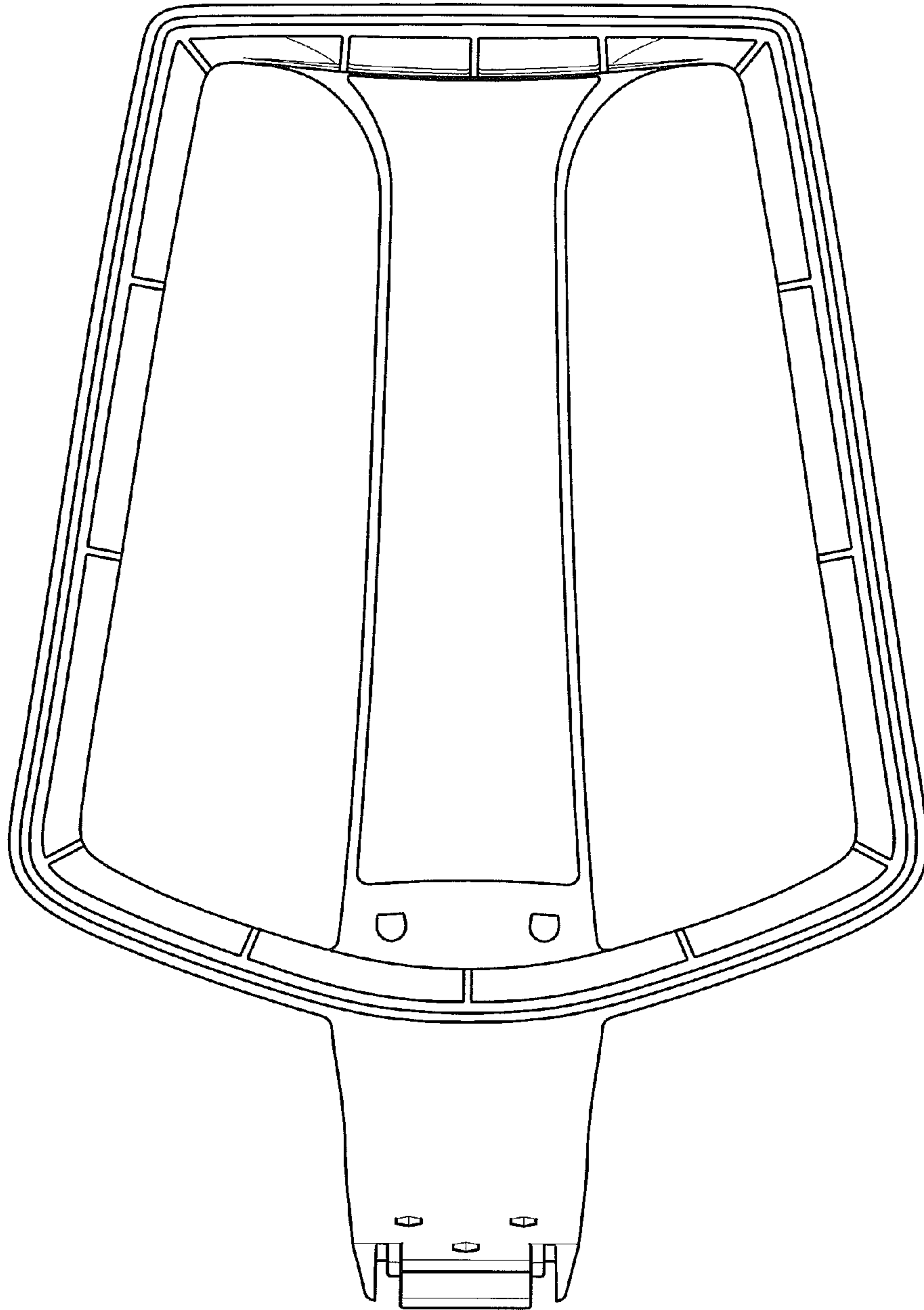


FIG. 2

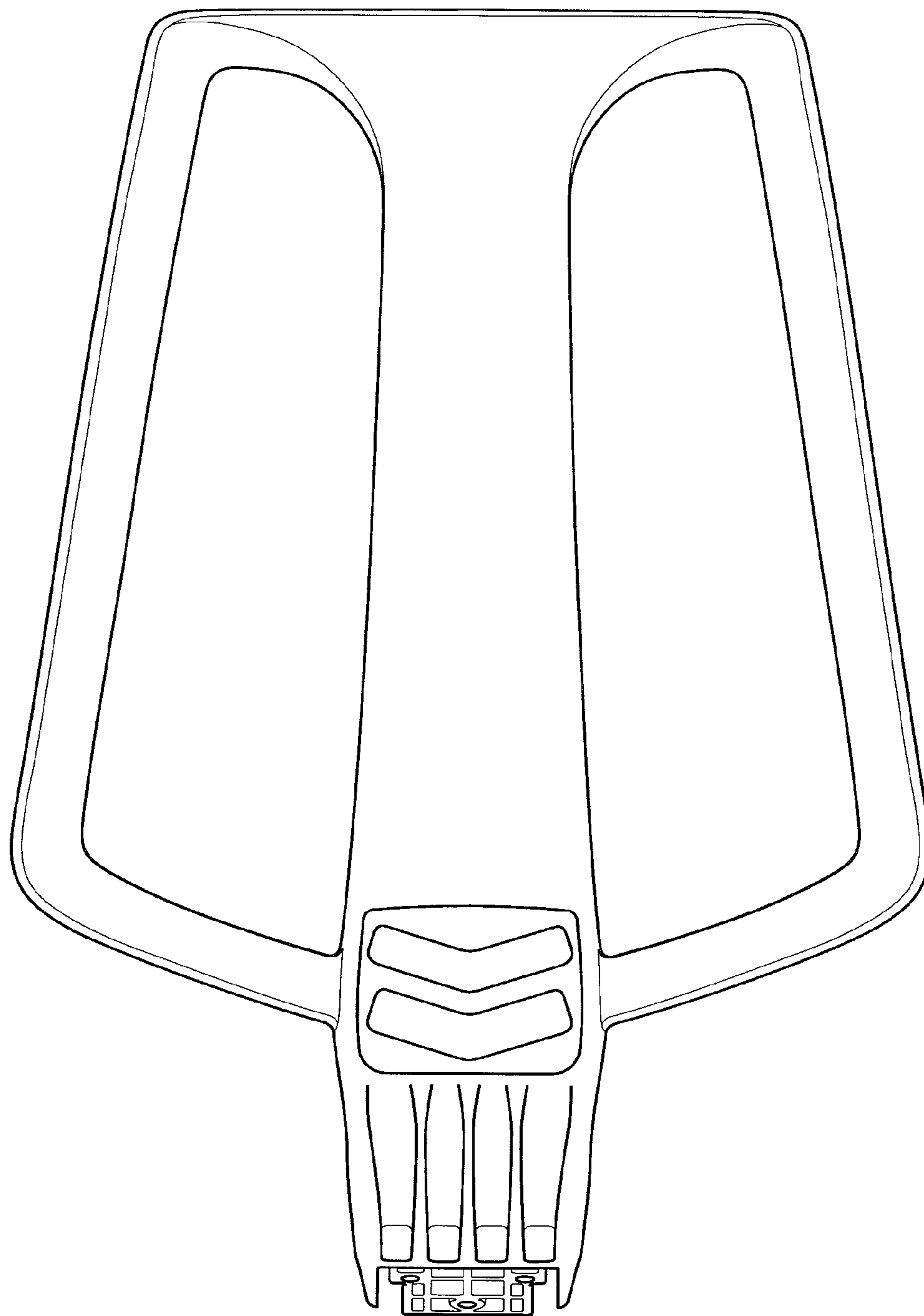


FIG. 3

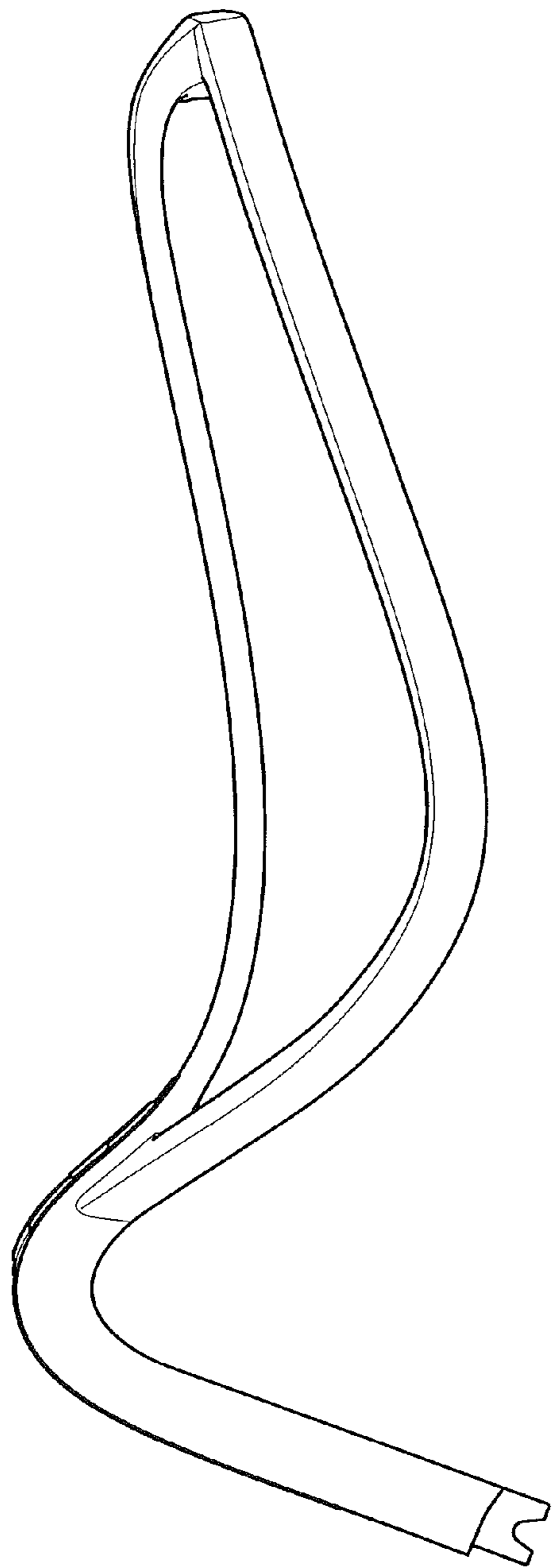


FIG. 4

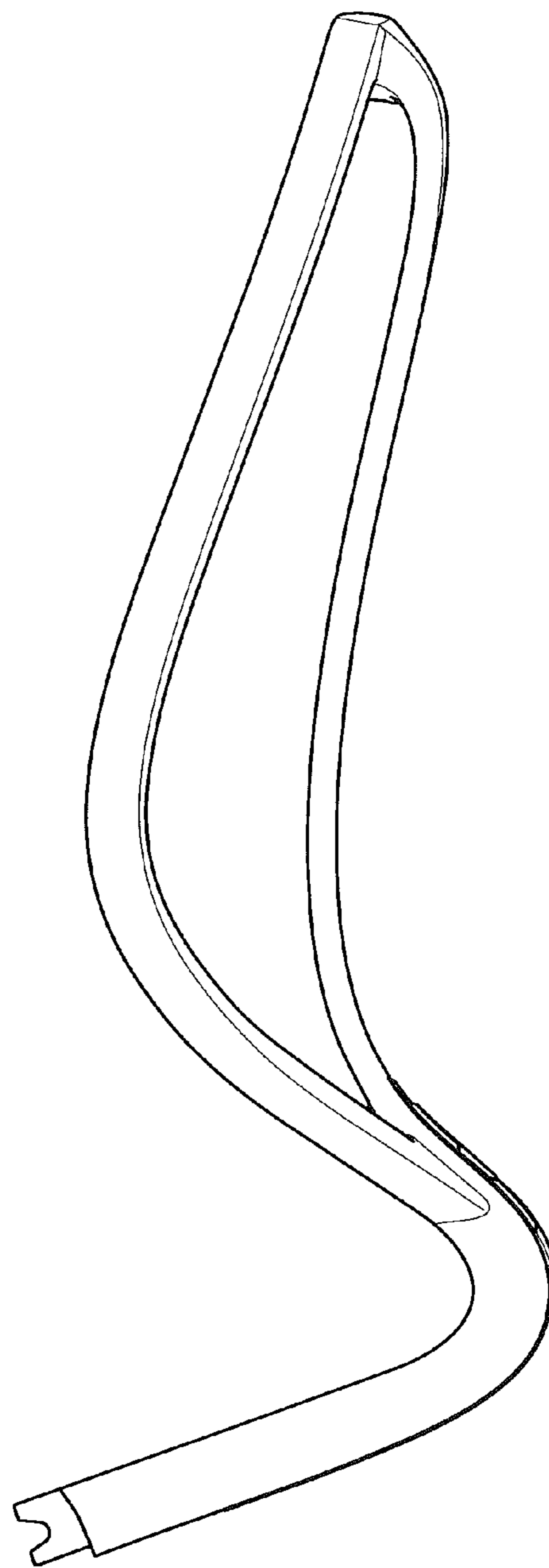


FIG. 5

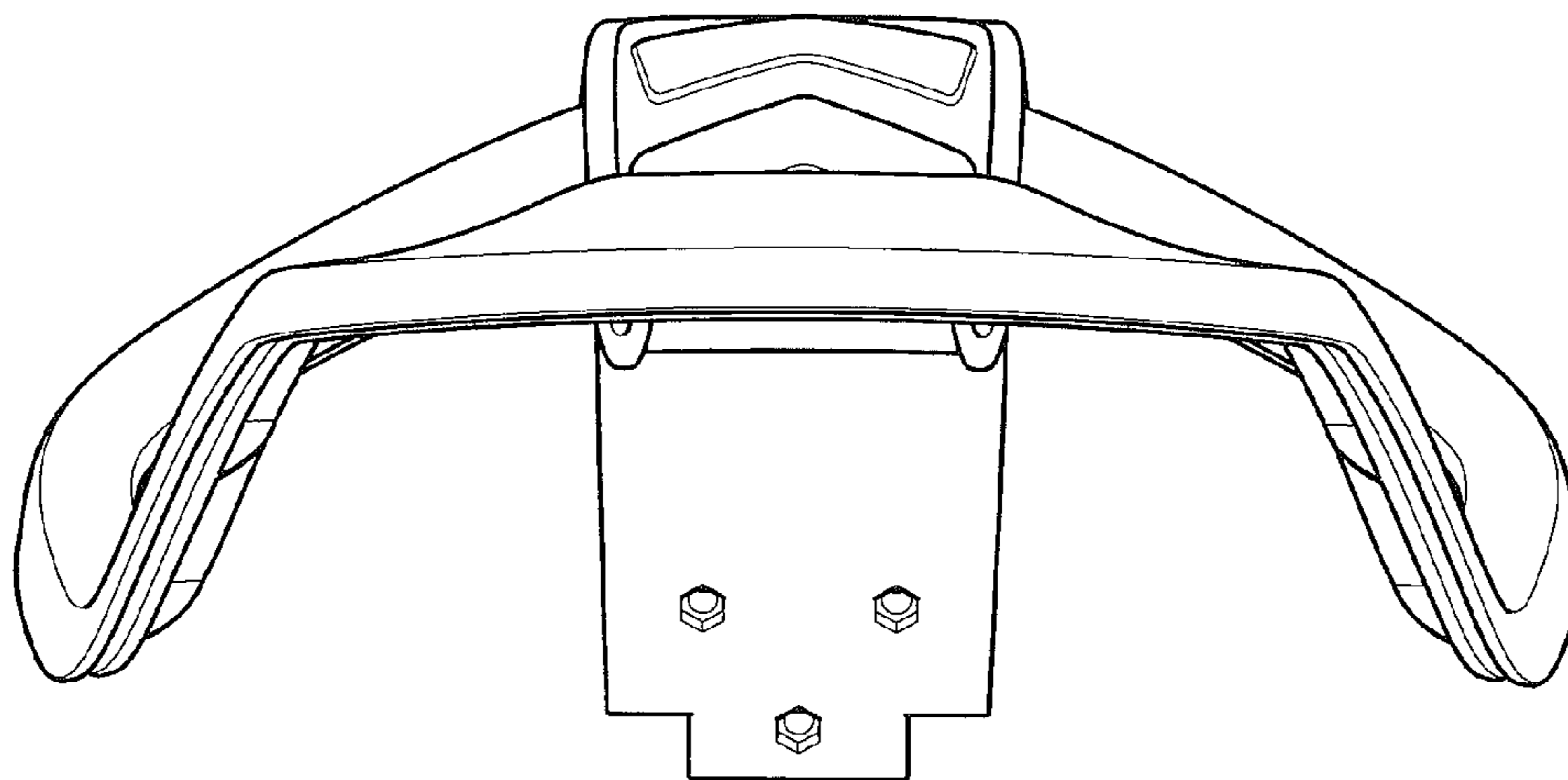


FIG. 6

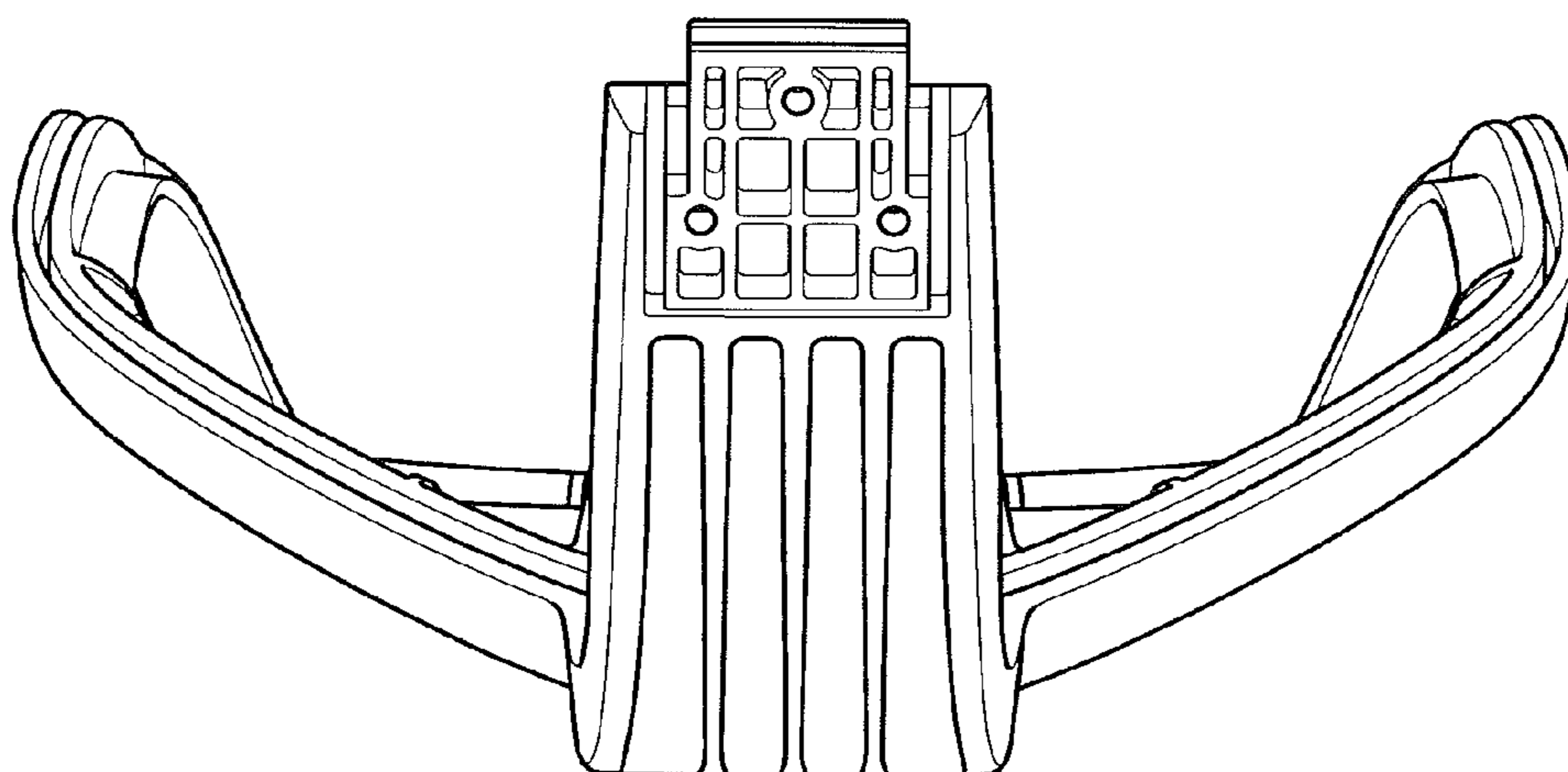


FIG. 7