



US00D724877S

(12) **United States Design Patent**
Czumaj-Bront

(10) **Patent No.:** **US D724,877 S**
(45) **Date of Patent:** **** Mar. 24, 2015**

- (54) **CHAIR WITH WORK SURFACE**
- (71) Applicant: **Haworth, Inc.**, Holland, MI (US)
- (72) Inventor: **Nicolai Czumaj-Bront**, Grand Rapids, MI (US)
- (73) Assignee: **Haworth, Inc.**, Holland, MI (US)
- (**) Term: **14 Years**
- (21) Appl. No.: **29/507,583**
- (22) Filed: **Oct. 29, 2014**

5,954,393 A	9/1999	Perrin	
D417,342 S	12/1999	Holbrook	
D428,713 S	8/2000	Arko et al.	
D477,921 S	8/2003	Bosman et al.	
6,669,282 B2 *	12/2003	Piretti	297/162
D497,487 S	10/2004	Azumi et al.	
D530,106 S	10/2006	Van Erum et al.	
D555,372 S	11/2007	Lin	
D618,922 S	7/2010	Fuchs	
D636,612 S	4/2011	Overthun et al.	
D685,199 S *	7/2013	Okabe	D6/371
8,696,056 B2	4/2014	Corcorran et al.	
D718,542 S *	12/2014	Czumaj-Bront	D6/338
2007/0284920 A1	12/2007	Mehaffey et al.	

* cited by examiner

Related U.S. Application Data

- (63) Continuation of application No. 29/453,397, filed on Apr. 29, 2013, now Pat. No. Des. 718,542.
- (51) **LOC (10) Cl.** **06-01**
- (52) **U.S. Cl.**
USPC **D6/716**
- (58) **Field of Classification Search**
USPC D6/334-338, 349, 355, 361, 368-370, D6/376, 379-381, 716, 716.1, 716.2, 340, D6/354, 377; 297/16.1, 42, 94, 135, 175, 297/232, 233, 350, 351, 445.1, 448.1, 297/448.2, 451.9; 5/12.1, 12.2
See application file for complete search history.

Primary Examiner — Sandra Snapp

(74) *Attorney, Agent, or Firm* — Warner Norcross & Judd LLP

(57) **CLAIM**

The ornamental design for a chair with work surface, as shown and described.

DESCRIPTION

FIG. 1 is a perspective view of the chair with work surface embodying the new design;
 FIG. 2 is a right side view thereof
 FIG. 3 is a left side view thereof;
 FIG. 4 is a rear view thereof;
 FIG. 5 is a front view thereof;
 FIG. 6 is a top view thereof; and,
 FIG. 7 is a bottom view thereof.

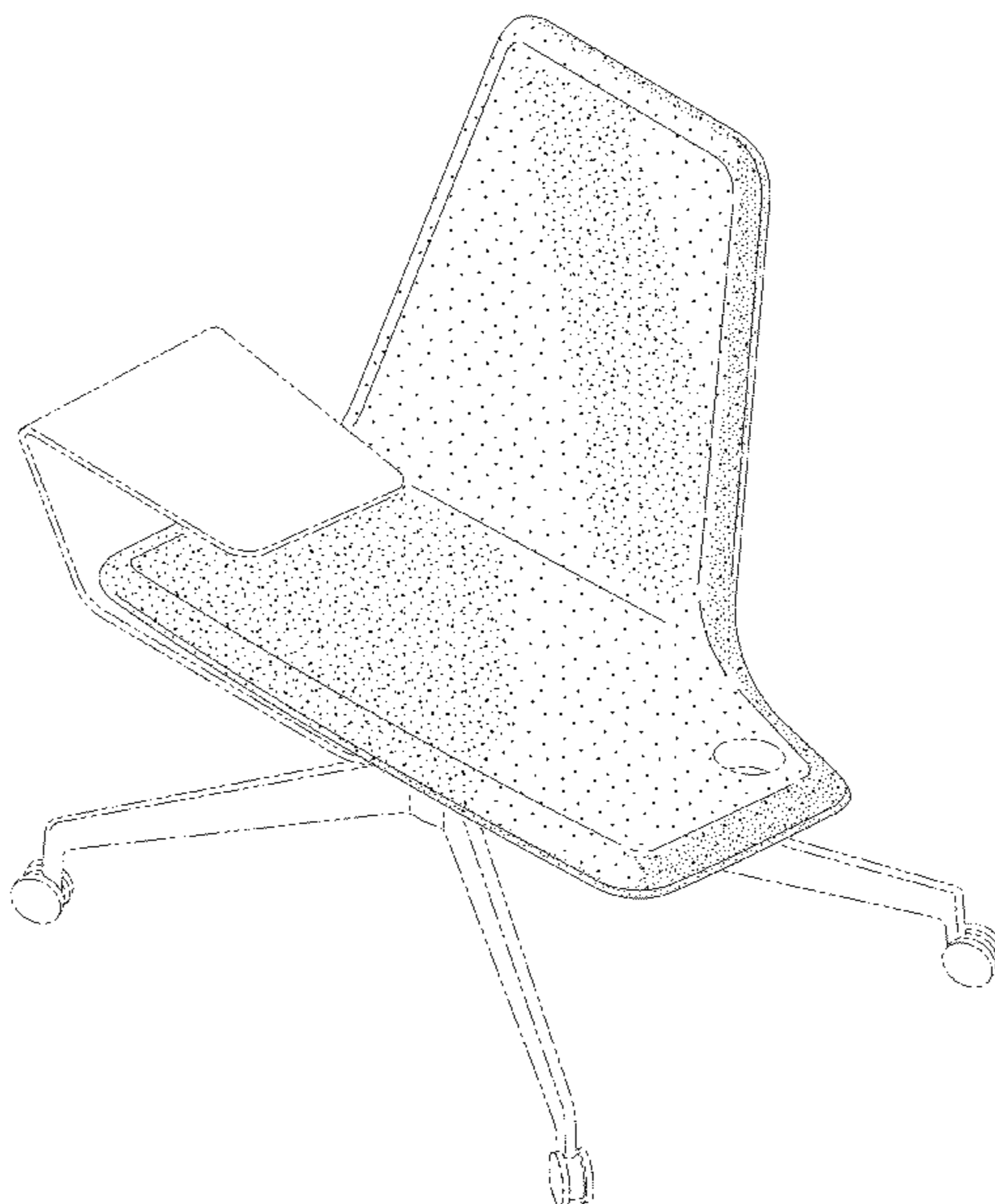
The portions shown in phantom lines in FIGS. 1-7 are shown for environmental purposes only and form no part of the claimed design.

(56) **References Cited**

U.S. PATENT DOCUMENTS

4,427,235 A *	1/1984	Hartman	299/5
5,169,210 A	12/1992	Fricano	
D332,703 S	1/1993	Gulliver	
D373,030 S	8/1996	Chen	
D398,452 S	9/1998	Reddig	

1 Claim, 7 Drawing Sheets



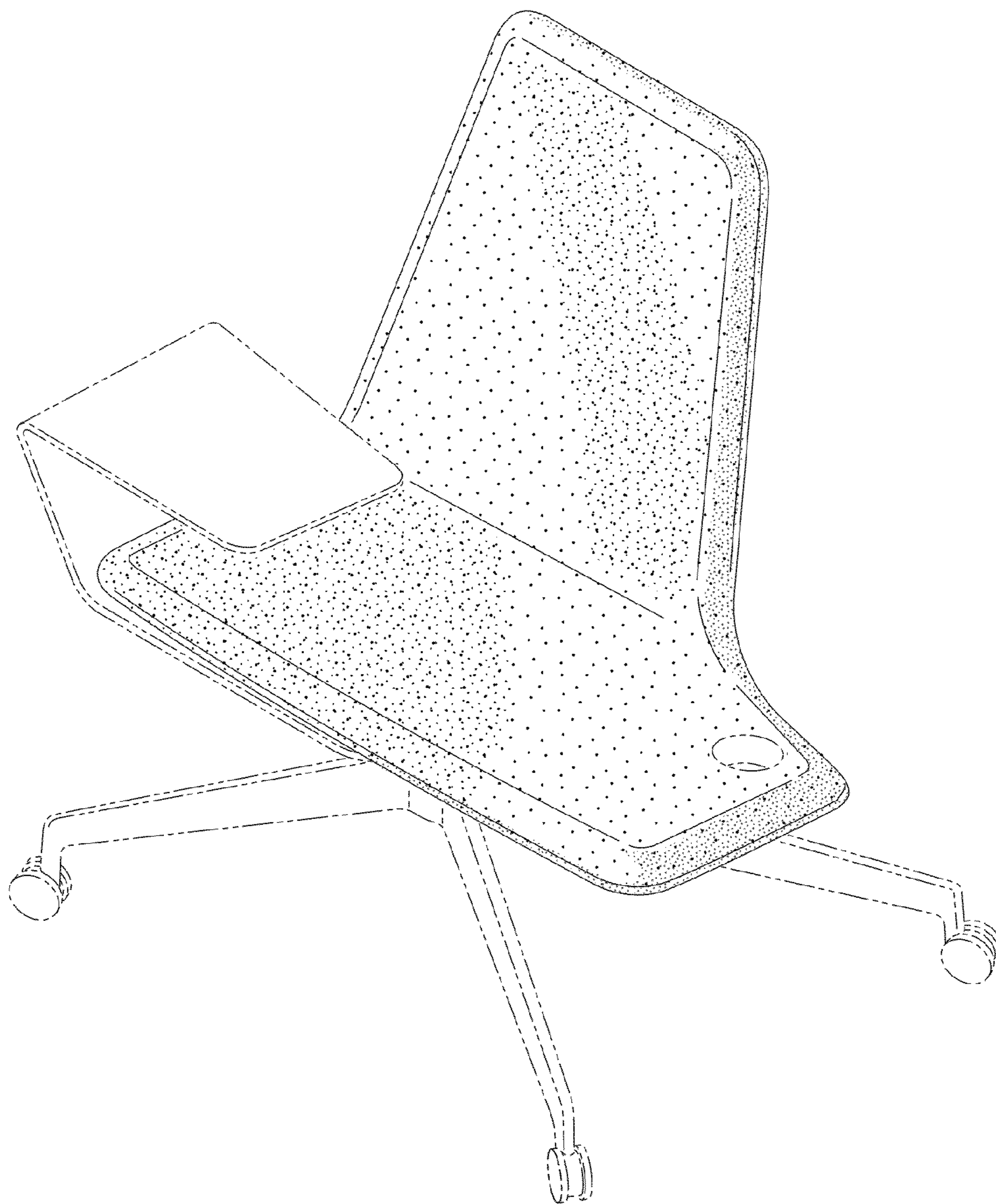


Fig. 1

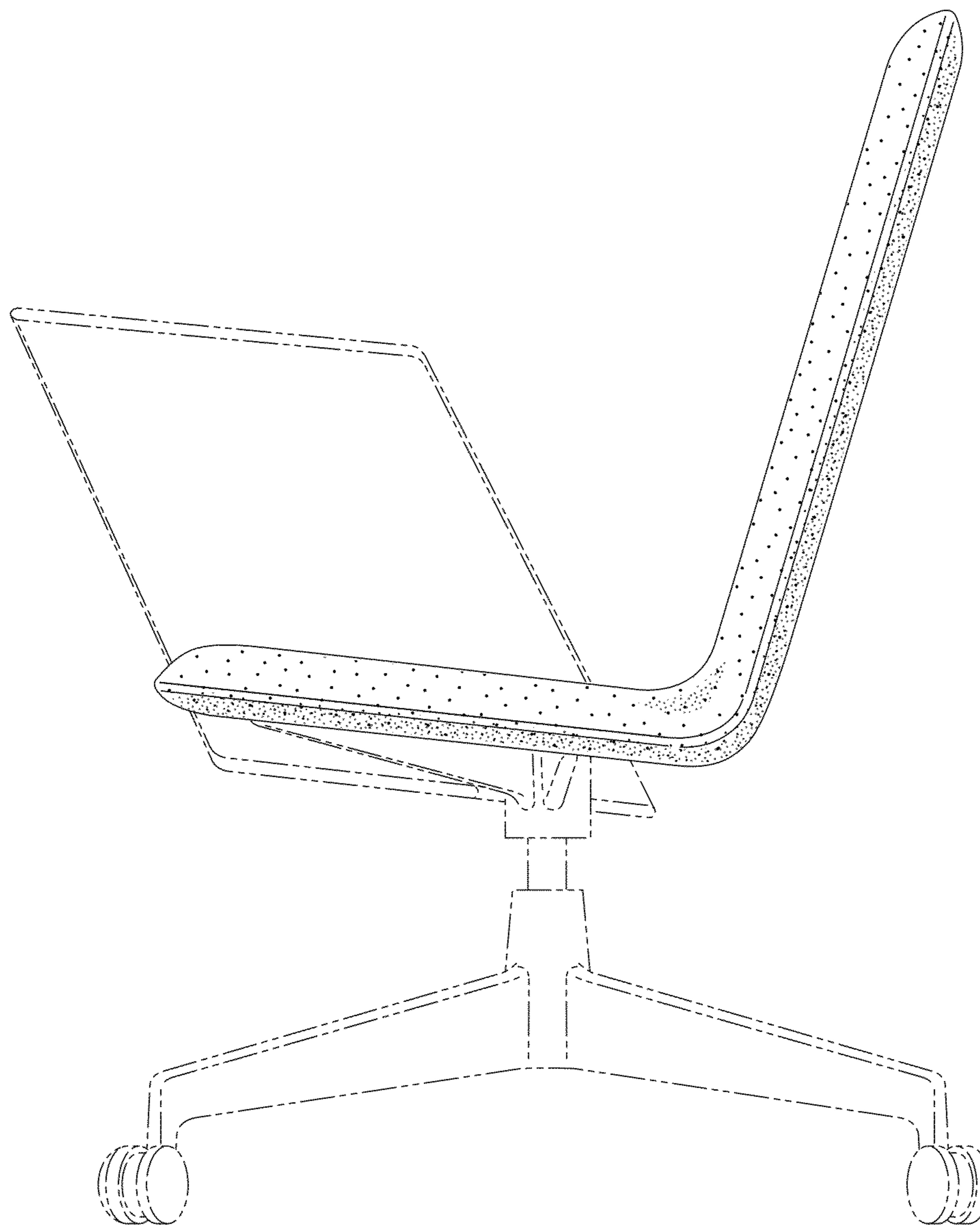


Fig. 2

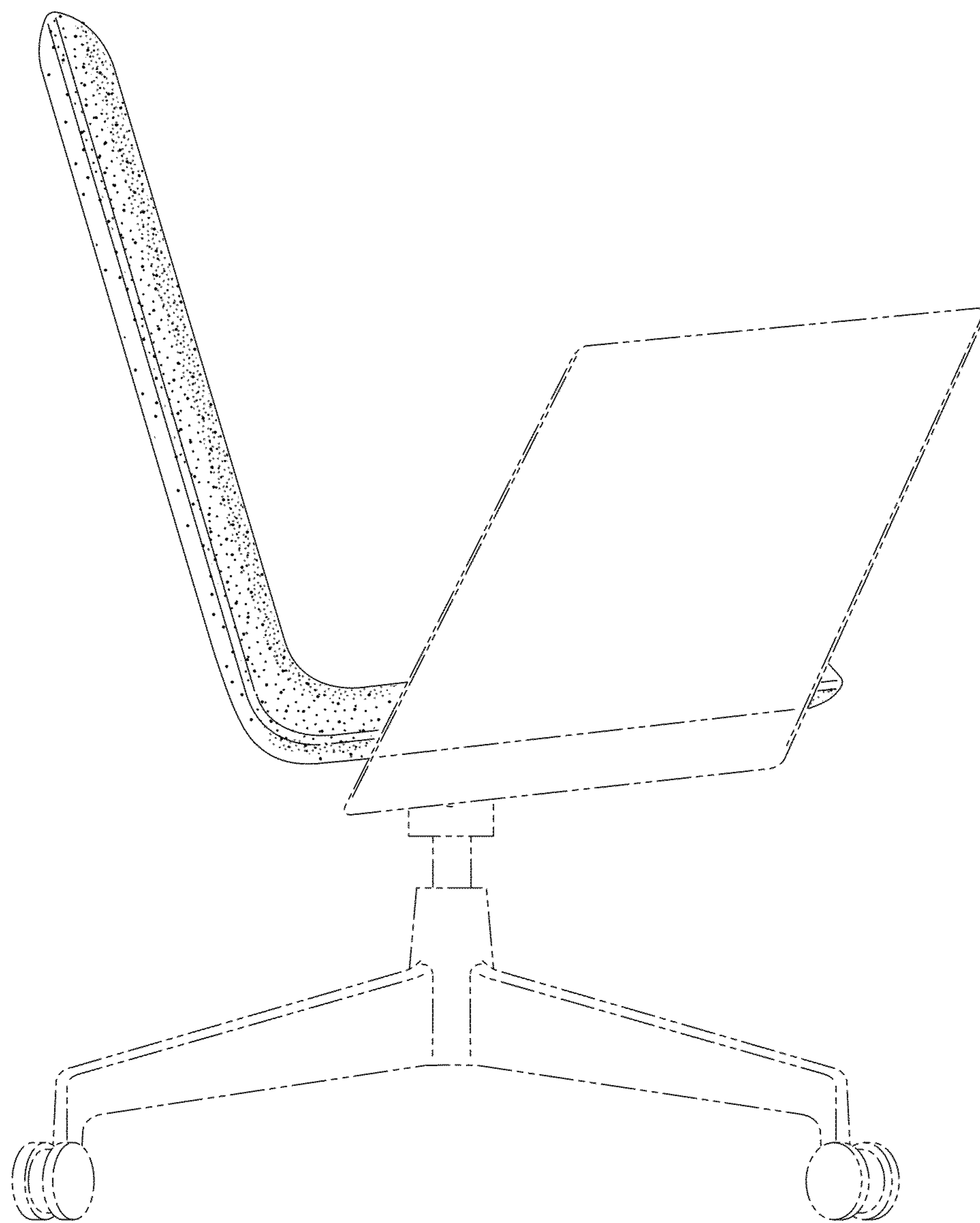


Fig. 3

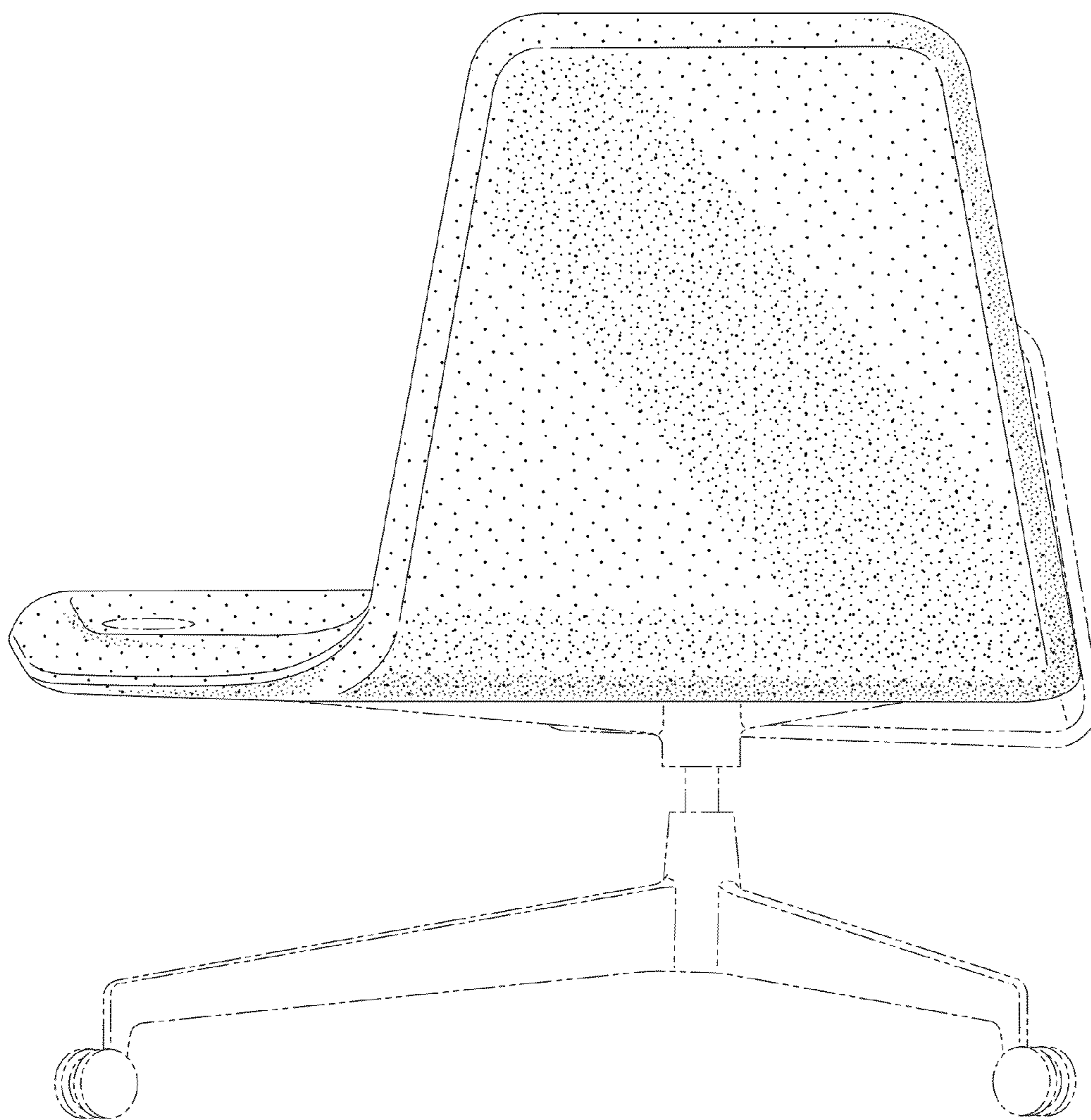


Fig. 4

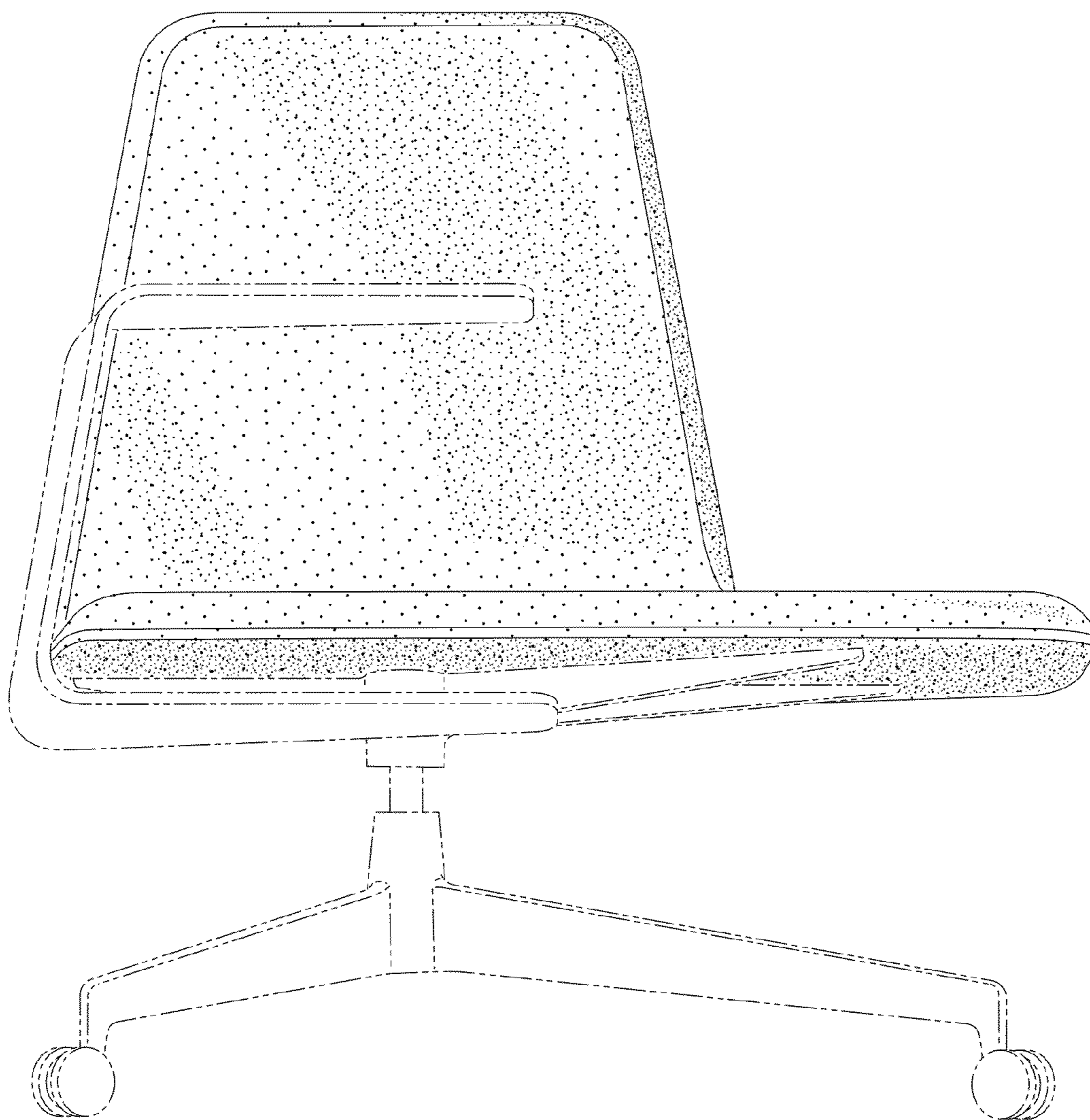


Fig. 5

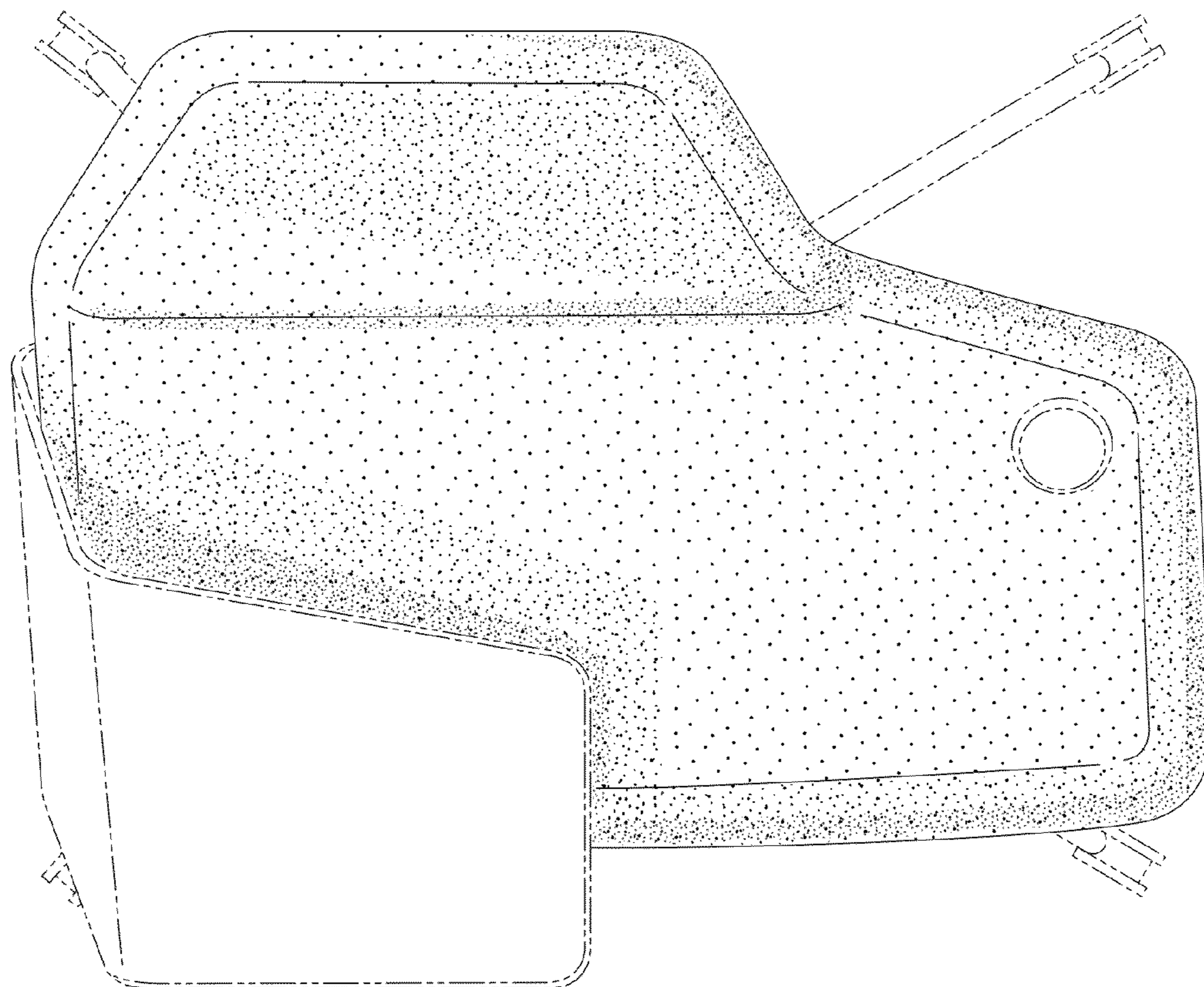


Fig. 6

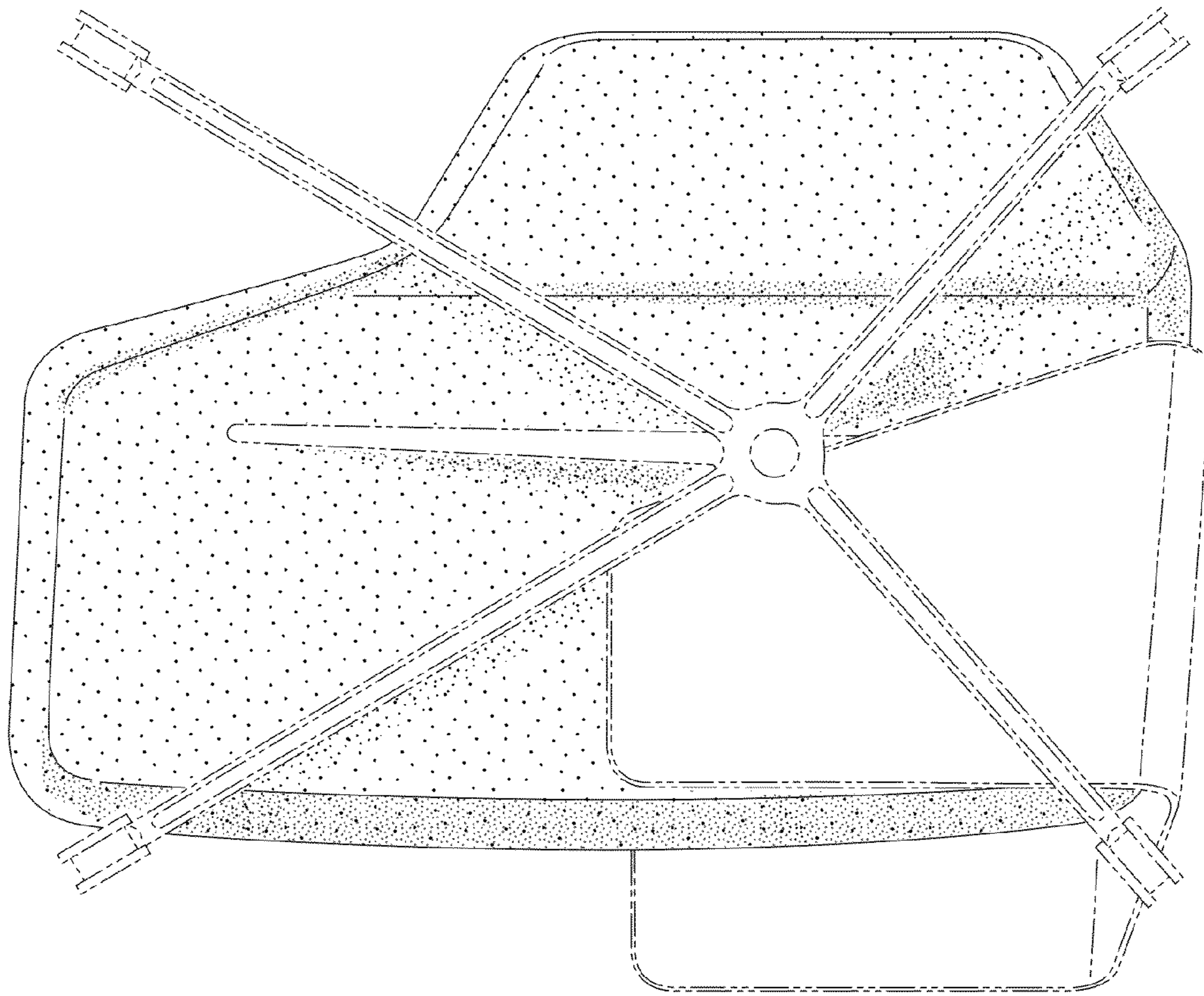


Fig. 7