



US00D724873S

(12) **United States Design Patent**  
**DeMars**

(10) **Patent No.:** **US D724,873 S**  
(45) **Date of Patent:** **\*\* Mar. 24, 2015**

- (54) **PORTABLE BAR**
- (71) Applicant: **Robert DeMars**, La Quinta, CA (US)
- (72) Inventor: **Robert DeMars**, La Quinta, CA (US)
- (73) Assignee: **Original Ideas, Inc.**, La Quinta, CA (US)
- (\*\*) Term: **14 Years**
- (21) Appl. No.: **29/442,792**
- (22) Filed: **May 20, 2013**
- (51) **LOC (10) CL.** ..... **06-04**
- (52) **U.S. Cl.**  
USPC ..... **D6/699**; D6/648
- (58) **Field of Classification Search**  
USPC ..... D6/698, 699, 699.1, 699.2, 699.3, 657,  
D6/664, 686, 648; 312/140.1, 140.2, 116,  
312/117, 284, 286  
See application file for complete search history.

D648,154 S *	11/2011	DeMars	.....	D6/481
D652,655 S *	1/2012	Parizek et al.	.....	D6/486
8,267,490 B2 *	9/2012	DeMars	.....	312/258
2007/0007867 A1 *	1/2007	Zheng	.....	312/238

\* cited by examiner

*Primary Examiner* — Janice Seeger  
(74) *Attorney, Agent, or Firm* — Dan DeLaRosa

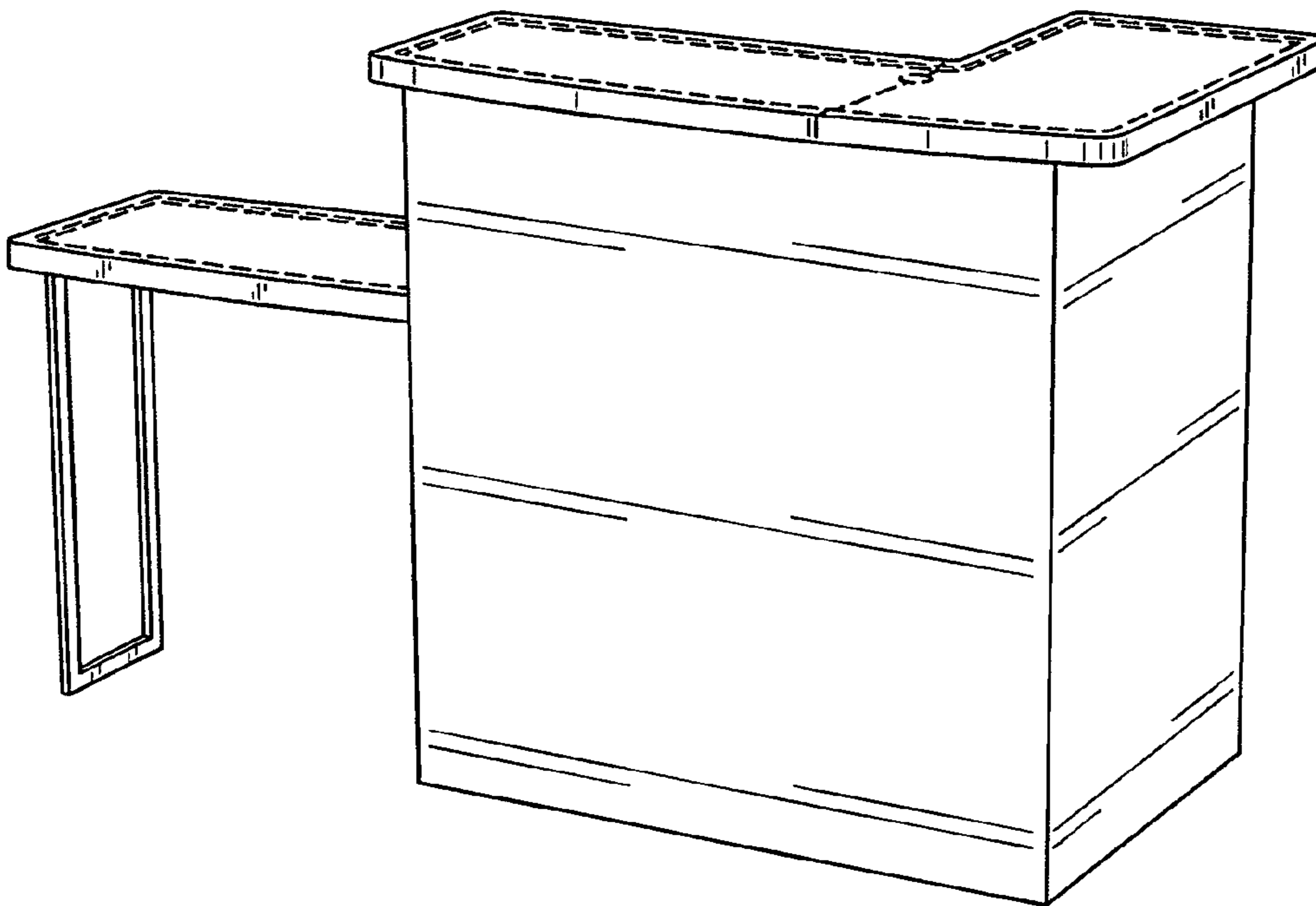
(57) **CLAIM**  
The ornamental design for a portable bar, as shown and described.

**DESCRIPTION**

FIG. 1 is a front perspective view of the portable bar of the present invention showing my new design;  
FIG. 2 is a back perspective view of the portable bar;  
FIG. 3 is a front side elevational view thereof;  
FIG. 4 is a back side elevational view thereof;  
FIG. 5 is a side elevational view thereof;  
FIG. 6 is another side elevational view thereof;  
FIG. 7 is a top plan view thereof; and,  
FIG. 8 is a bottom plan view thereof.  
The broken lines are for environmental purposes only and form no part of the claimed design.

- (56) **References Cited**  
U.S. PATENT DOCUMENTS  
2,693,401 A \* 11/1954 Brown ..... 312/238  
D219,279 S \* 11/1970 Beavers ..... D6/427

**1 Claim, 8 Drawing Sheets**



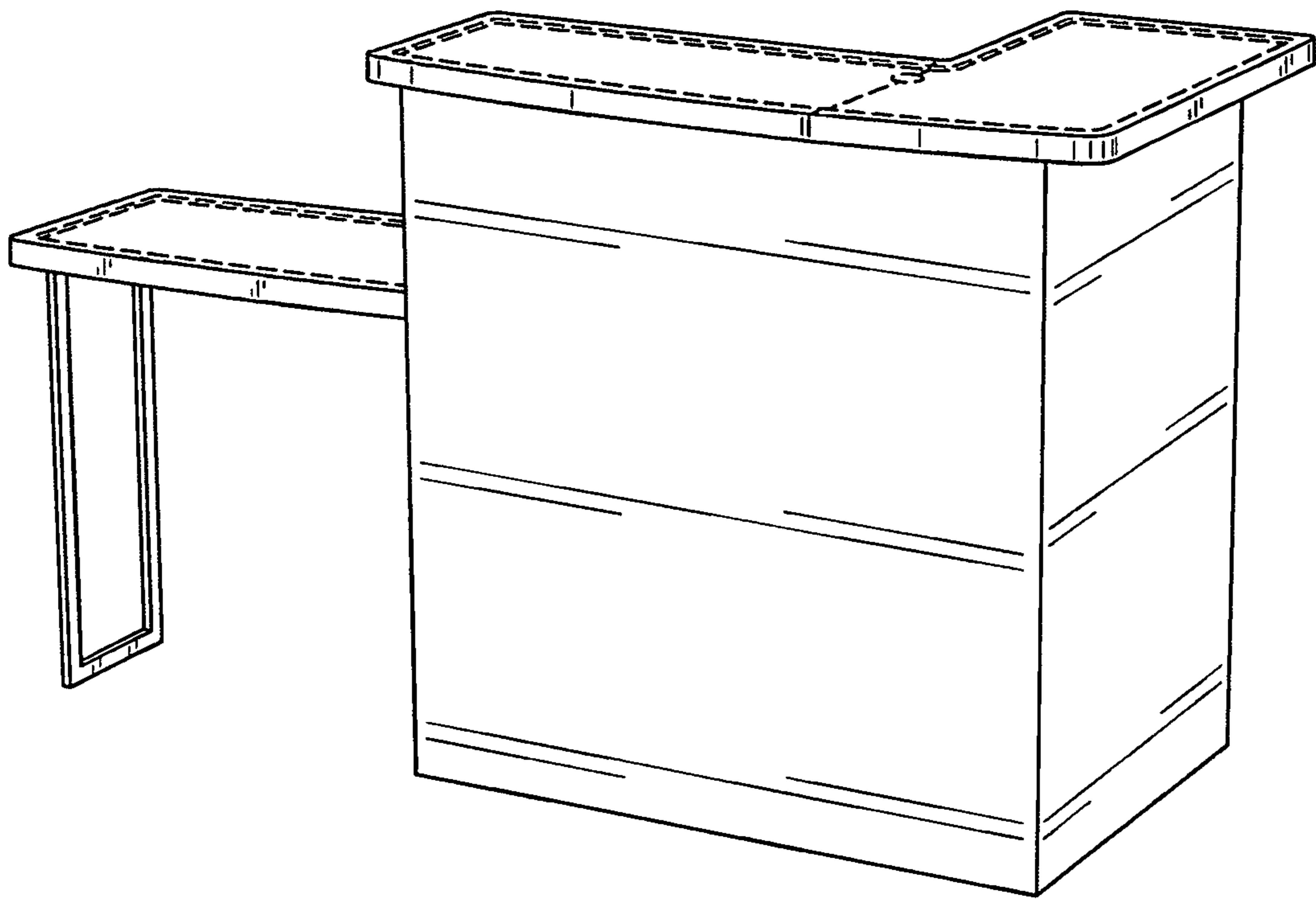


FIG. 1

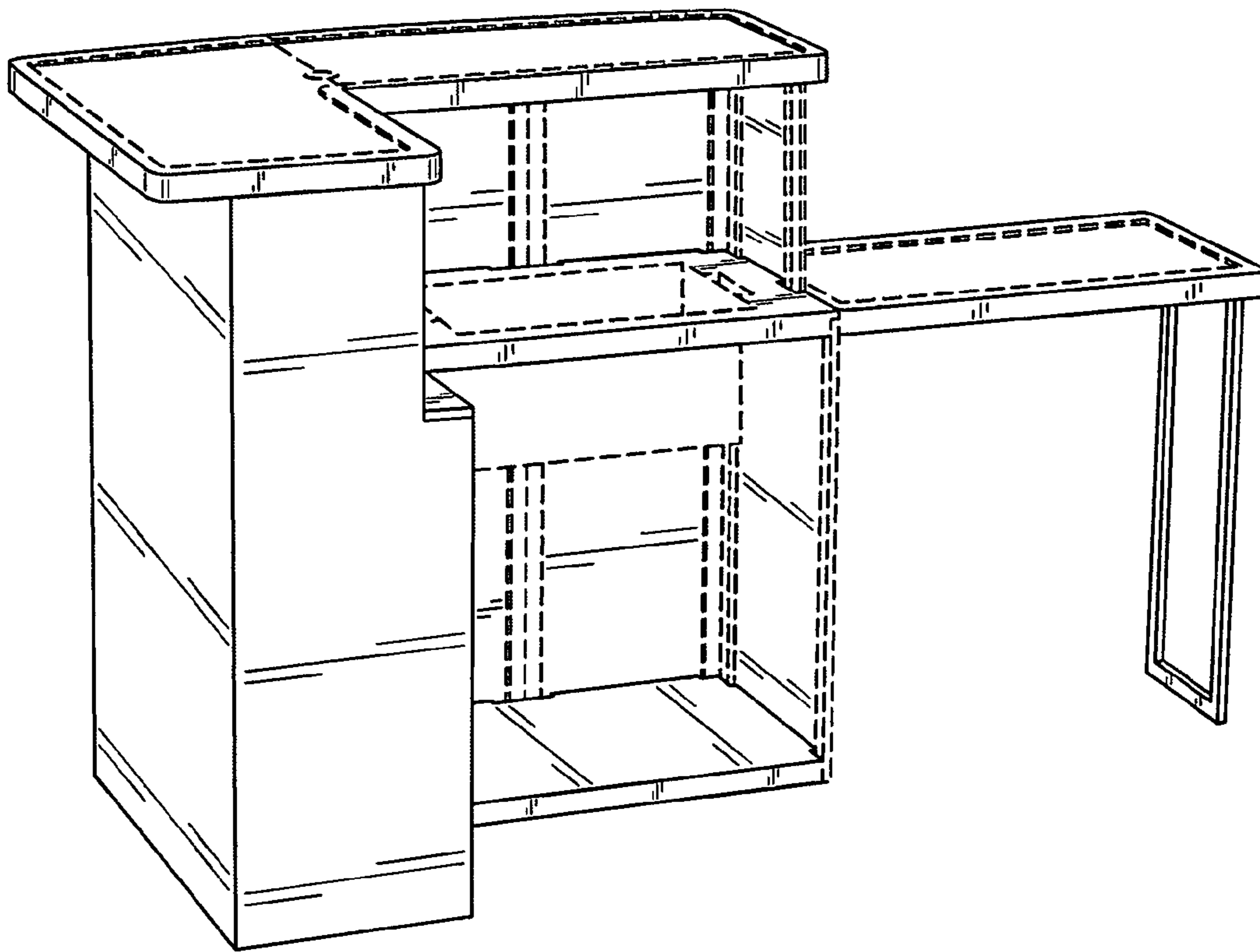


FIG. 2

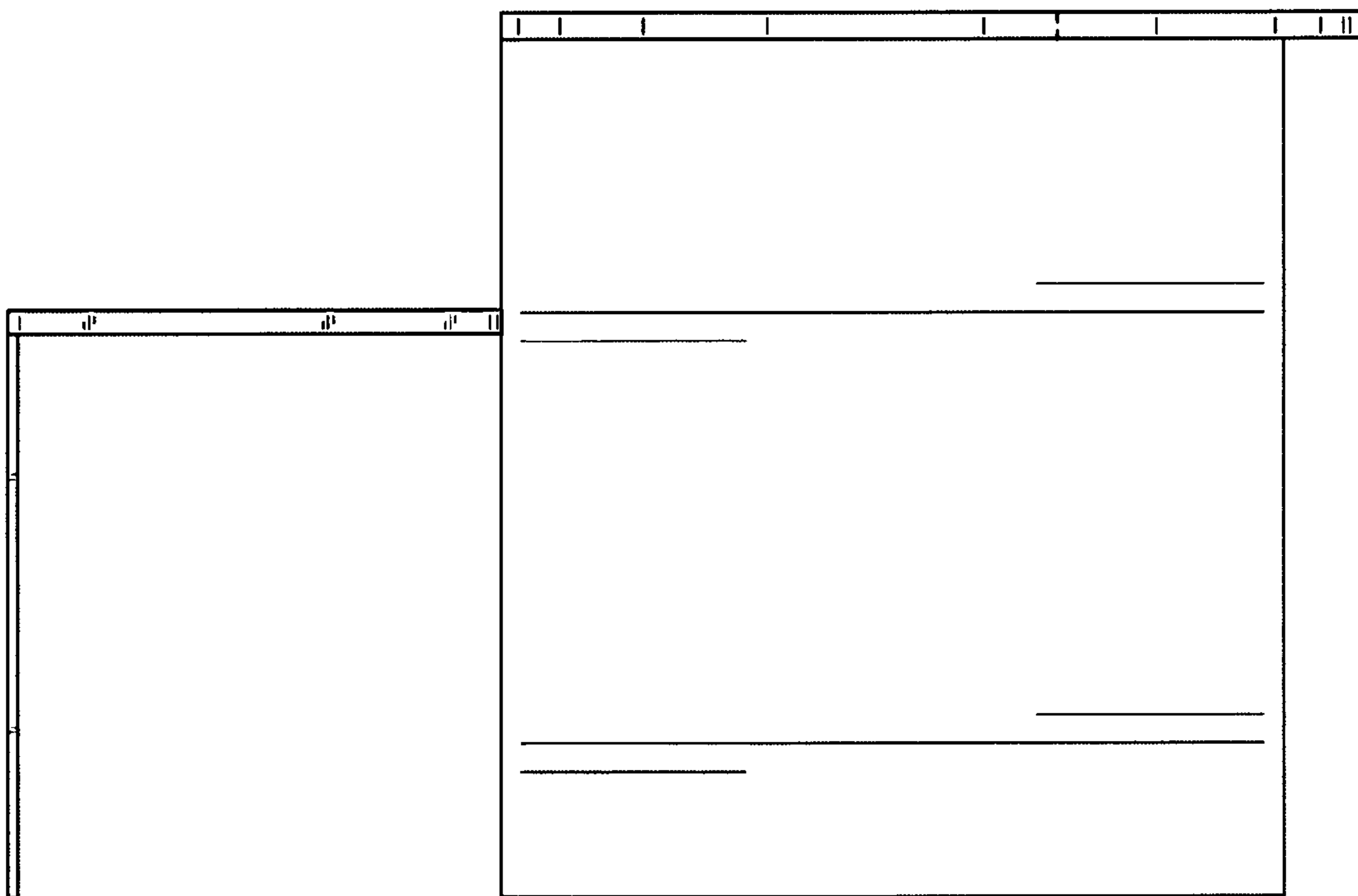


FIG. 3

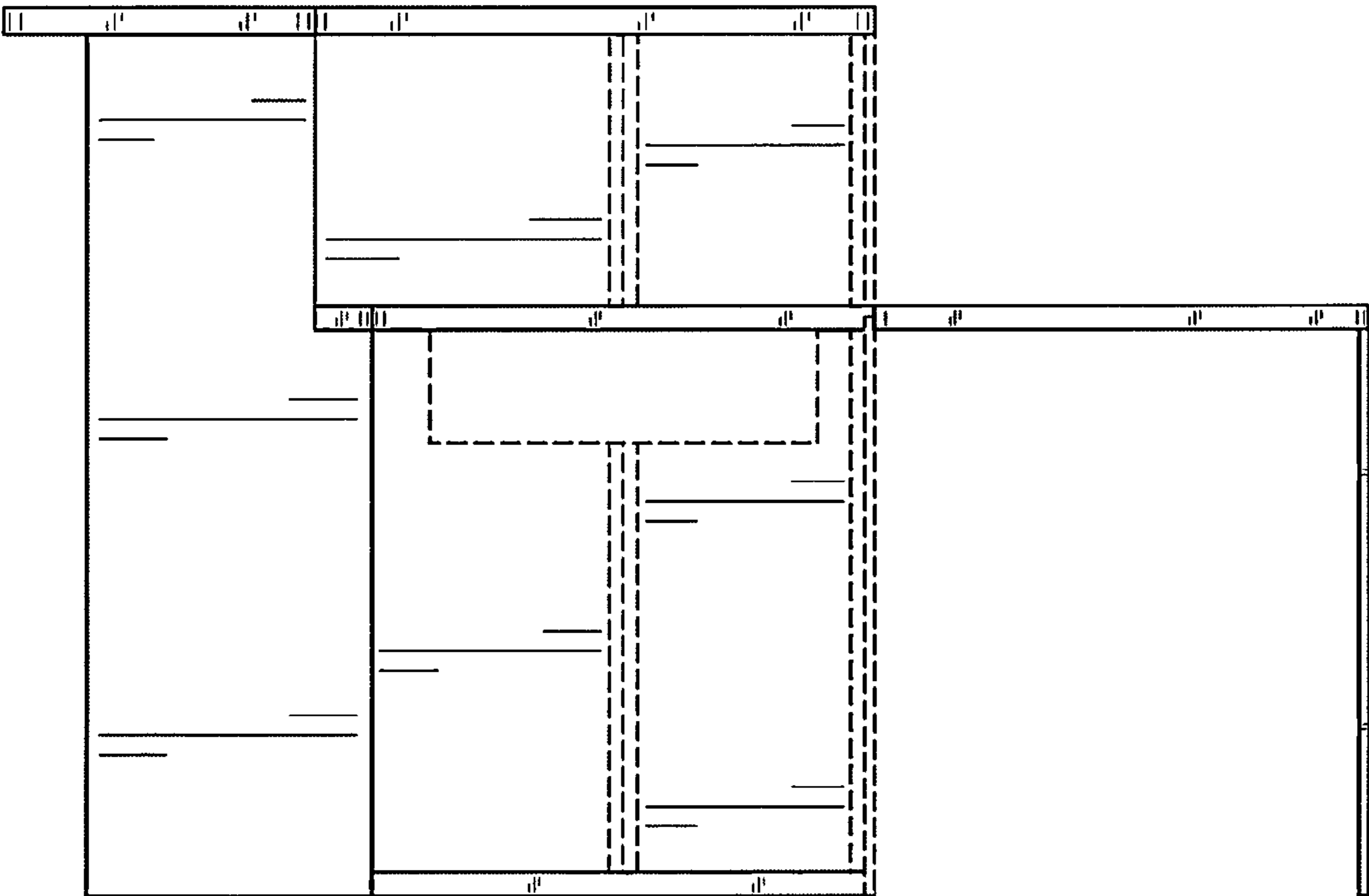


FIG. 4

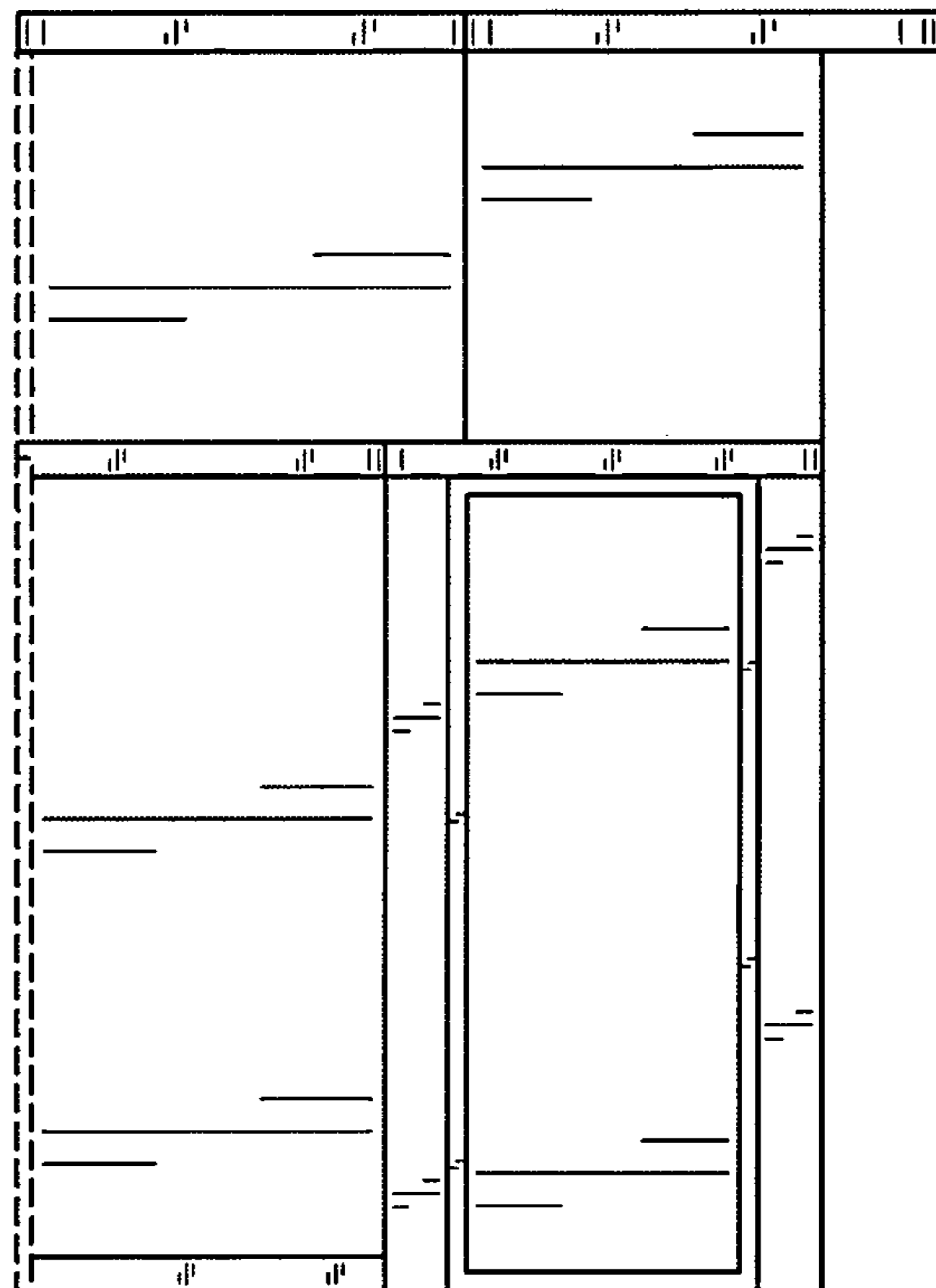


FIG. 5

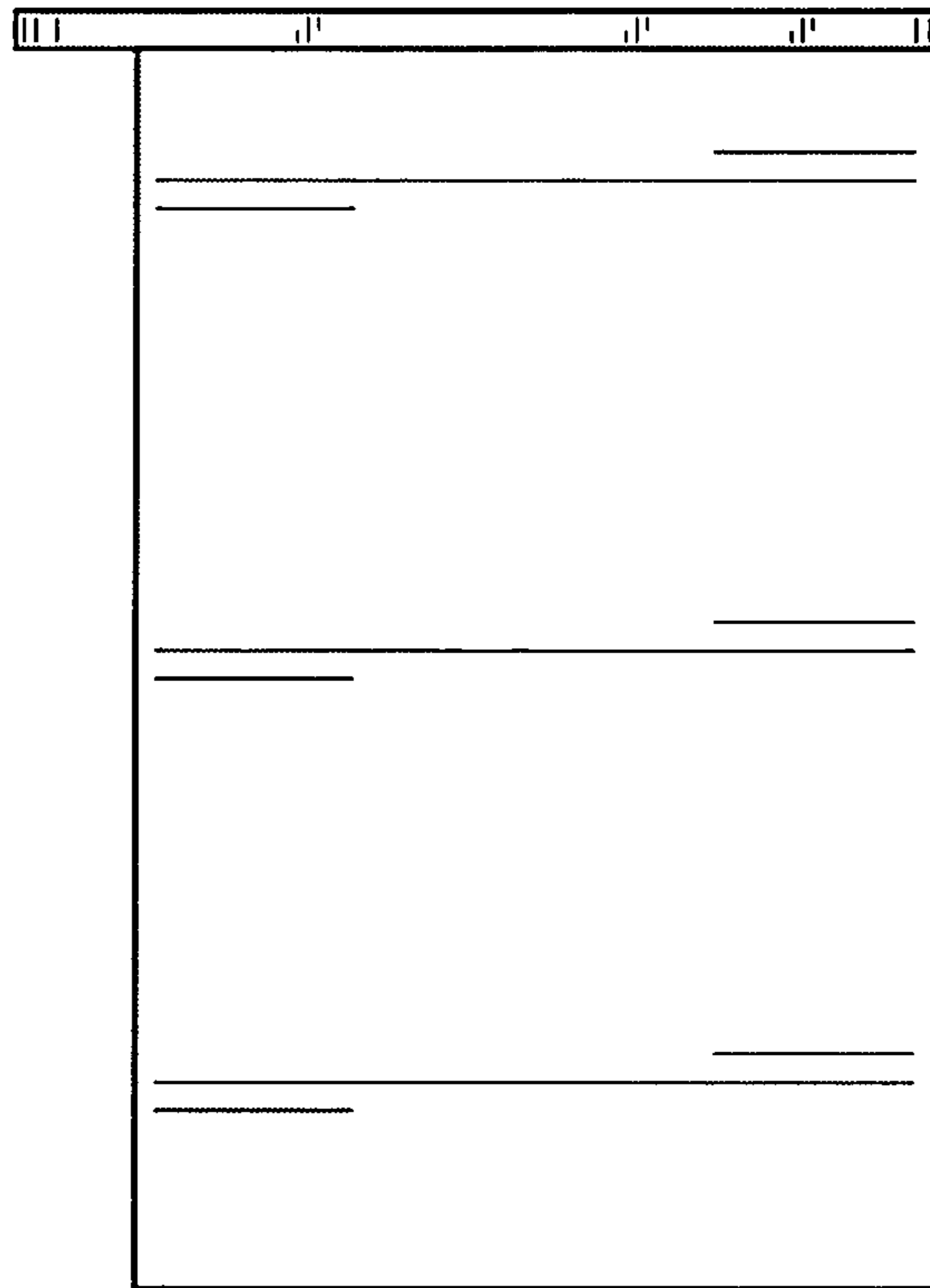


FIG. 6

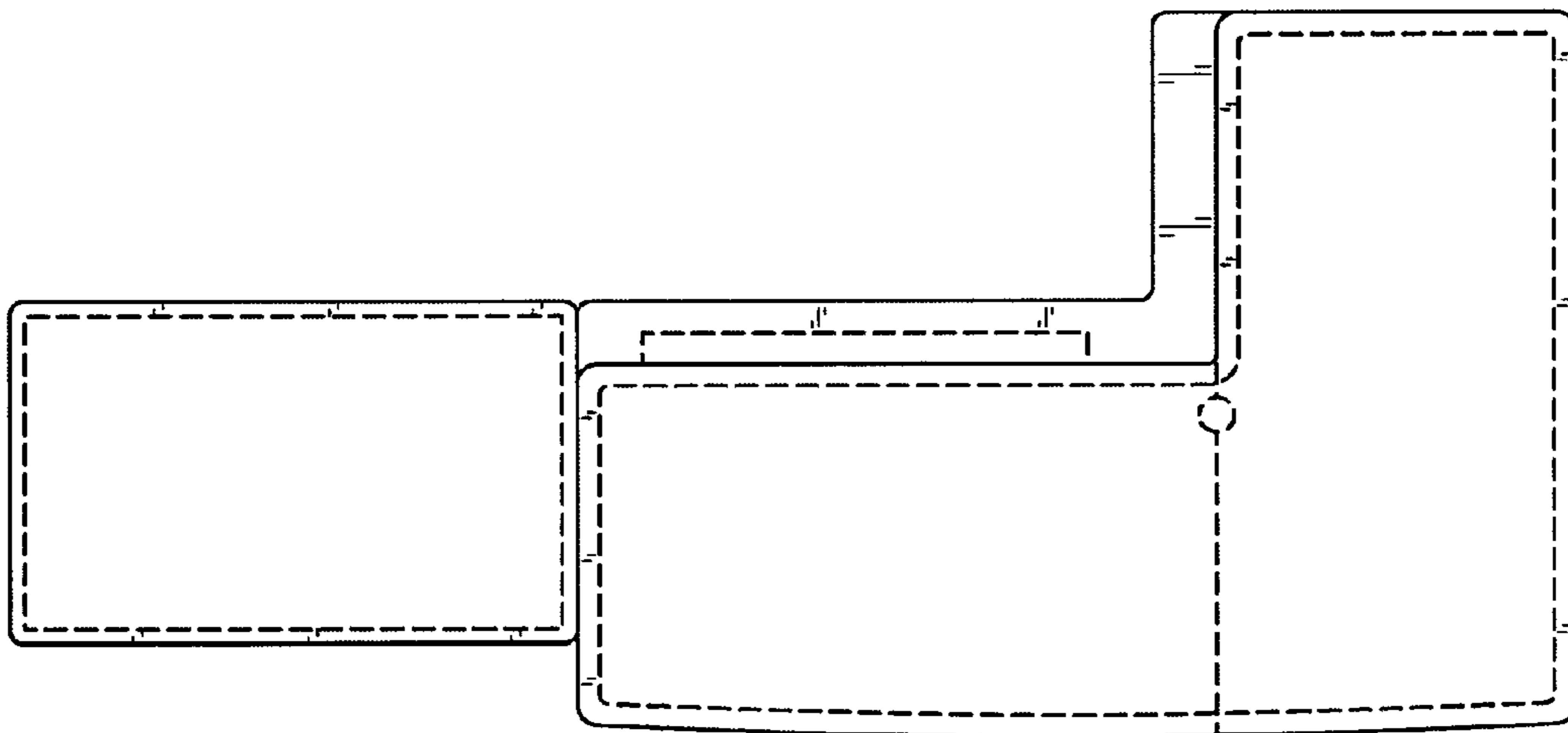


FIG. 7



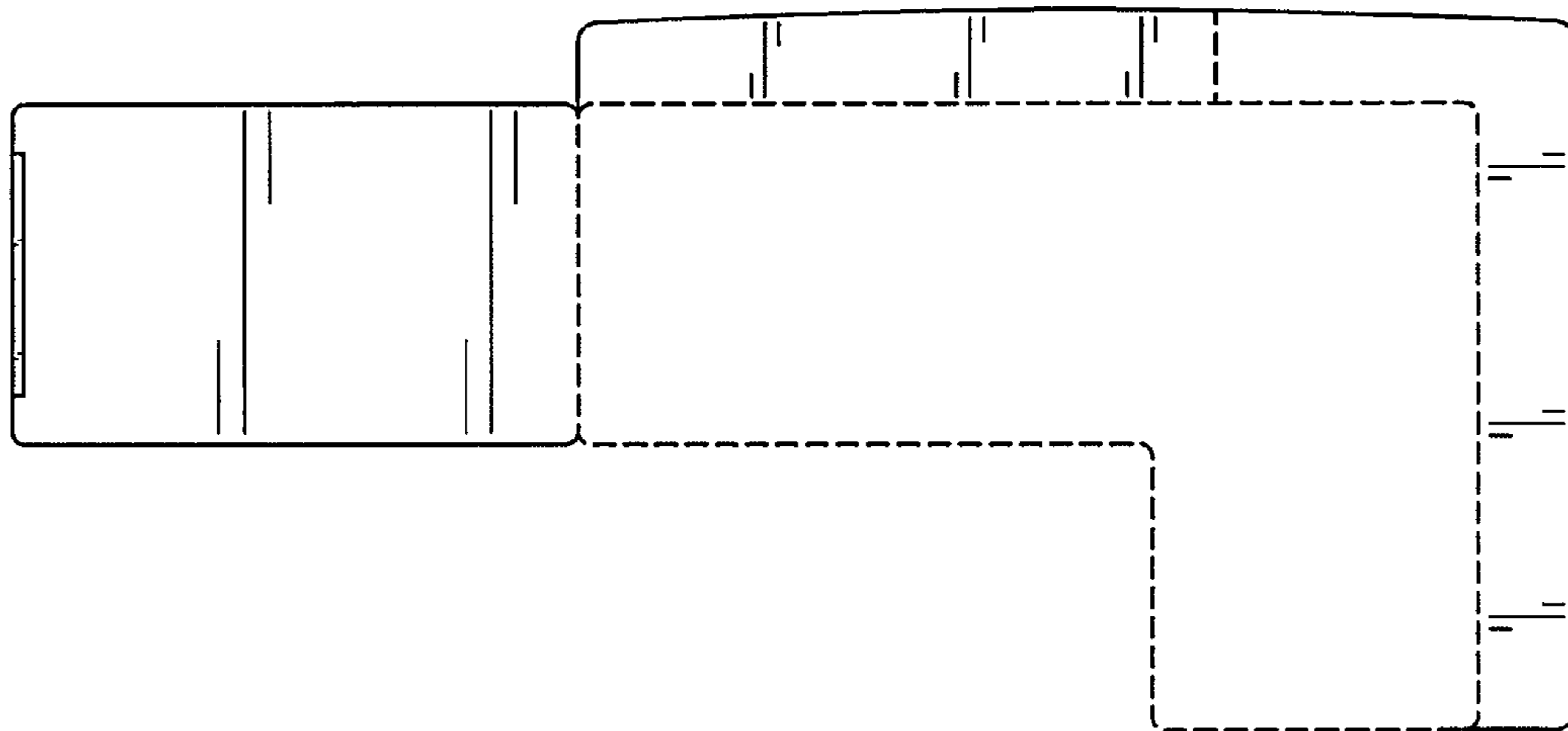


FIG. 8