



US00D724872S

(12) **United States Design Patent**  
**Skalka**

(10) **Patent No.:** **US D724,872 S**  
(45) **Date of Patent:** **\*\* Mar. 24, 2015**

(54) **TABLE**

(71) Applicant: **Victor Stanley, Inc.**, Dunkirk, MD (US)

(72) Inventor: **Gerald Skalka**, Potomac, MD (US)

(73) Assignee: **Victor Stanley, Inc.**, Dunkirk, MD (US)

(\*\*) Term: **14 Years**

(21) Appl. No.: **29/460,359**

(22) Filed: **Jul. 10, 2013**

(51) **LOC (10) Cl.** ..... **06-03**

(52) **U.S. Cl.**  
USPC ..... **D6/692.4**

(58) **Field of Classification Search**

CPC ..... A47B 37/04; A47B 2200/1063; A37B  
2220/0009

USPC ..... D6/692, 692.4, 692.6, 691.6, 708.16;  
108/50.12, 150, 153.1, 156, 157.1,  
108/161; 248/188, 188.1

See application file for complete search history.

(56) **References Cited**

**U.S. PATENT DOCUMENTS**

2,799,543 A \* 7/1957 Tomaselli ..... 108/50.12  
D192,323 S \* 3/1962 Shaw ..... D6/330

(Continued)

**OTHER PUBLICATIONS**

“A-I-424 Anthro-Sites™ Series Steel Table, Backless Seats Wood  
Slats,” Victor Stanley, Inc. (Mar. 15, 2012).

(Continued)

*Primary Examiner* — Janice Seeger

(74) *Attorney, Agent, or Firm* — Westerman, Hattori,  
Daniels & Adrian, LLP

(57) **CLAIM**

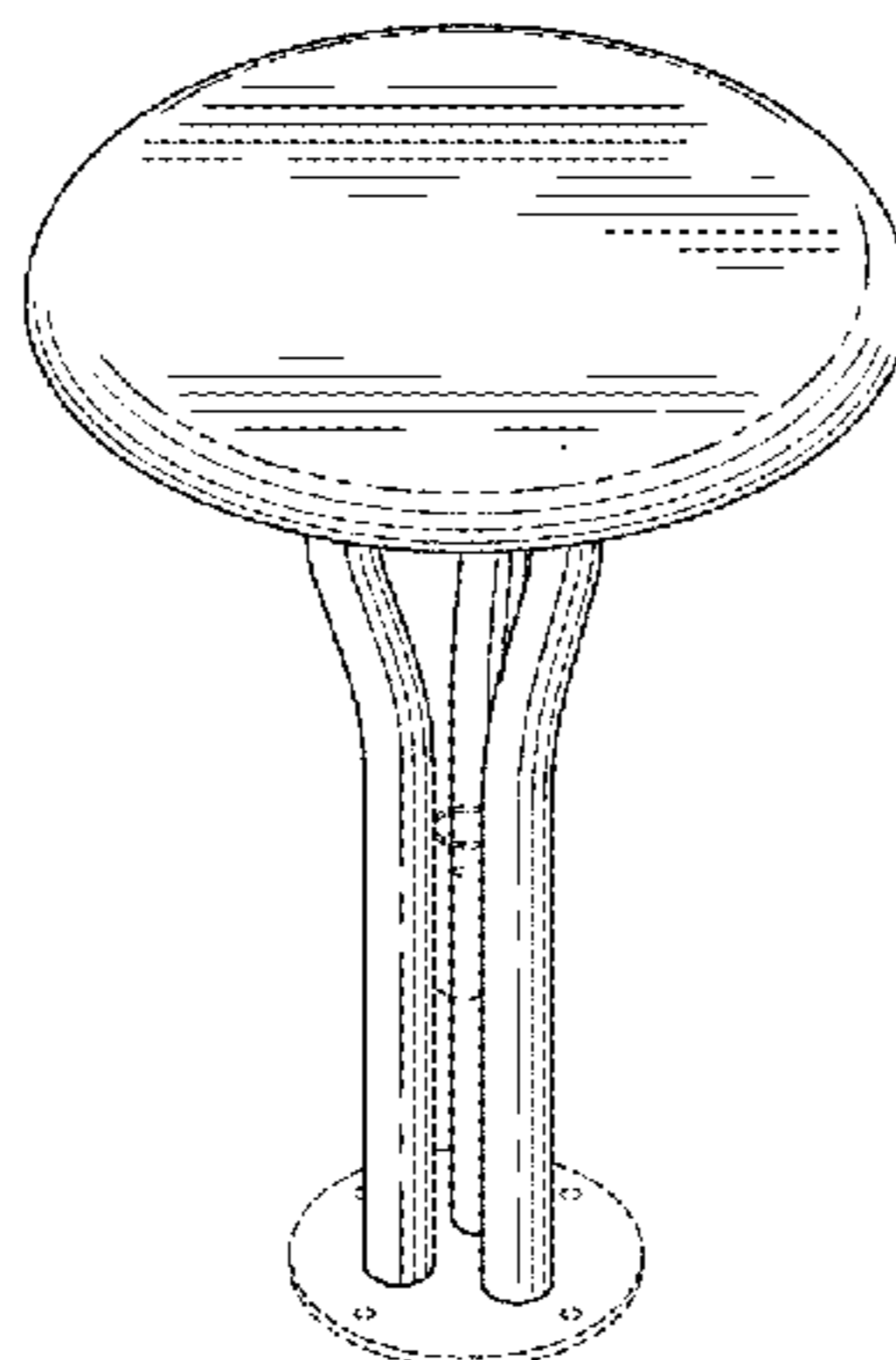
The ornamental design for a table, as shown and described.

**DESCRIPTION**

FIG. 1 is an isometric view of a table showing a first embodi-  
ment of my new design.

FIG. 2 is a front elevational view of the table of FIG. 1.  
FIG. 3 is a bottom plan view of the table of FIG. 1.  
FIG. 4 is a left side elevational view of the table of FIG. 1, the  
right side elevational view being a mirror image thereof.  
FIG. 5 is a top plan view of the table of FIG. 1.  
FIG. 6 is a back elevational view of the table of FIG. 1.  
FIG. 7 is an isometric view of a table showing a second  
embodiment of my new design.  
FIG. 8 is a front elevational view of the table of FIG. 7.  
FIG. 9 is a bottom plan view of the table of FIG. 7.  
FIG. 10 is a left side elevational view of the table of FIG. 7, the  
right side elevational view being a mirror image thereof.  
FIG. 11 is a top plan view of the table of FIG. 7.  
FIG. 12 is a back elevational view of the table of FIG. 7.  
FIG. 13 is an isometric view of a table showing a third  
embodiment of my new design.  
FIG. 14 is a front elevational view of the table of FIG. 13.  
FIG. 15 is a left side elevational view of the table of FIG. 13,  
the right side elevational view being a mirror image thereof.  
FIG. 16 is a bottom plan view of the table of FIG. 13.  
FIG. 17 is a top plan view of the table of FIG. 13.  
FIG. 18 is a back elevational view of the table of FIG. 13.  
FIG. 19 is an isometric view of a table showing a fourth  
embodiment of my new design.  
FIG. 20 is a front elevational view of the table of FIG. 19.  
FIG. 21 is a left side elevational view of the table of FIG. 19,  
the right side elevational view being a mirror image thereof.  
FIG. 22 is a bottom plan view of the table of FIG. 19.  
FIG. 23 is a top plan view of the table of FIG. 19; and,  
FIG. 24 is a back elevational view of the table of FIG. 19.  
The article is shown in FIGS. 13-15, 18, 19-21, and 24 with a  
symbolic break in its length. The appearance of any portion of  
the article between the break lines forms no part of the  
claimed design.  
The broken line showing of a bottom mounting plate in FIGS.  
1-4, 6, 7-10, 12, 13-16, 18, 19-22, and 24; the broken line  
showing of under-table bracing and an under-table mounting  
plate in FIGS. 2-4, 6, 8-10, 12, 14-16, 18, 20-21, and 24; the  
broken line showing of a leg joint interior to the legs in FIGS.  
1, 2, 4, 7, 8, 10, 13-15, and 19-21; the broken line showing of  
an umbrella in FIGS. 7 and 19, and the broken line showing of  
a mounting surface and a footing in FIGS. 13-15, 18, 19-21,  
and 24, are included for the purpose of illustrating use and  
environment and form no part of the claimed design.

**1 Claim, 7 Drawing Sheets**



(56)

**References Cited**

U.S. PATENT DOCUMENTS

5,197,394 A \* 3/1993 Schmidt ..... 108/50.12  
D366,372 S \* 1/1996 Skarda, Jr. .... D6/417  
D648,575 S \* 11/2011 Gasser ..... D6/499

OTHER PUBLICATIONS

“A-426 Anthro-Sites™ Series Steel Table, Backless Seats With Wood Slats,” Victor Stanley, Inc. (May 23, 2012).

“PR SCT-42R Production Series™ All Steel Round Cafe Table,” Victor Stanley, Inc. (Nov. 8, 2012).

“Model PR SCT-36R: Round café table. Shown with optional umbrella hole,” Victor Stanley, Inc. (2003).

“RND-363 Steelsites™ Series Standard All Steel Table And Seat Combination,” Victor Stanley, Inc. (2010).

\* cited by examiner

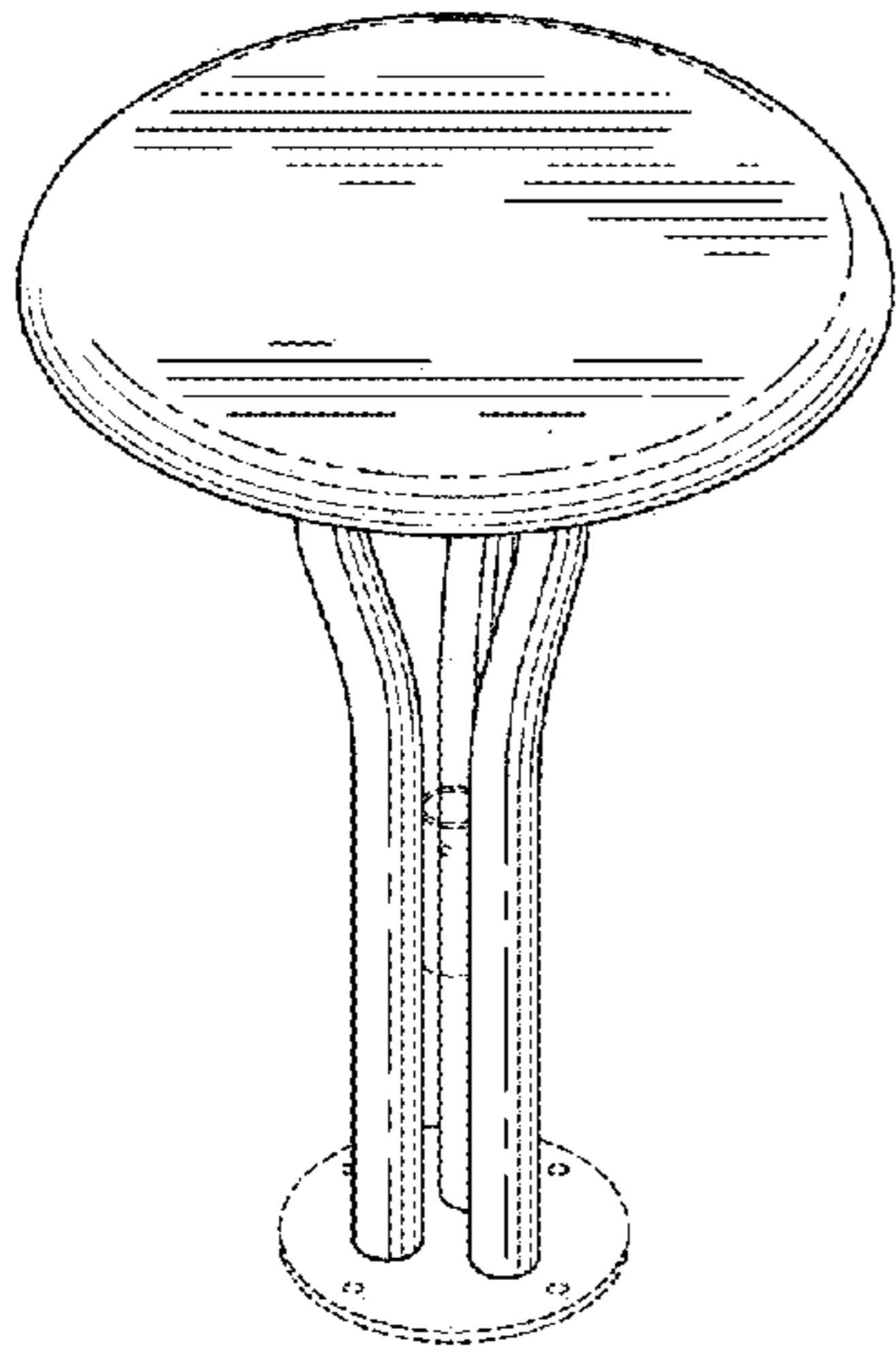


FIG.1

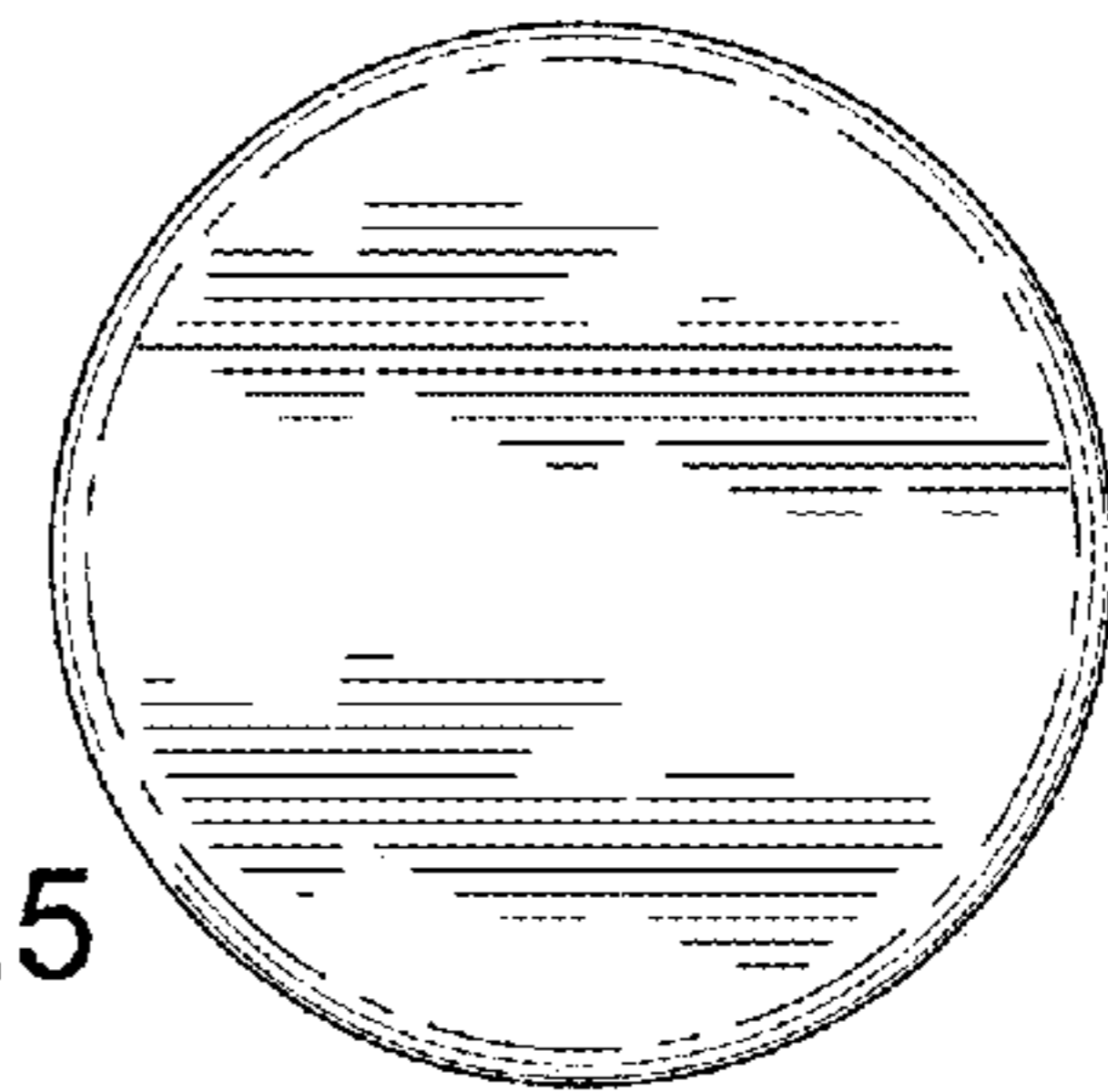


FIG.5

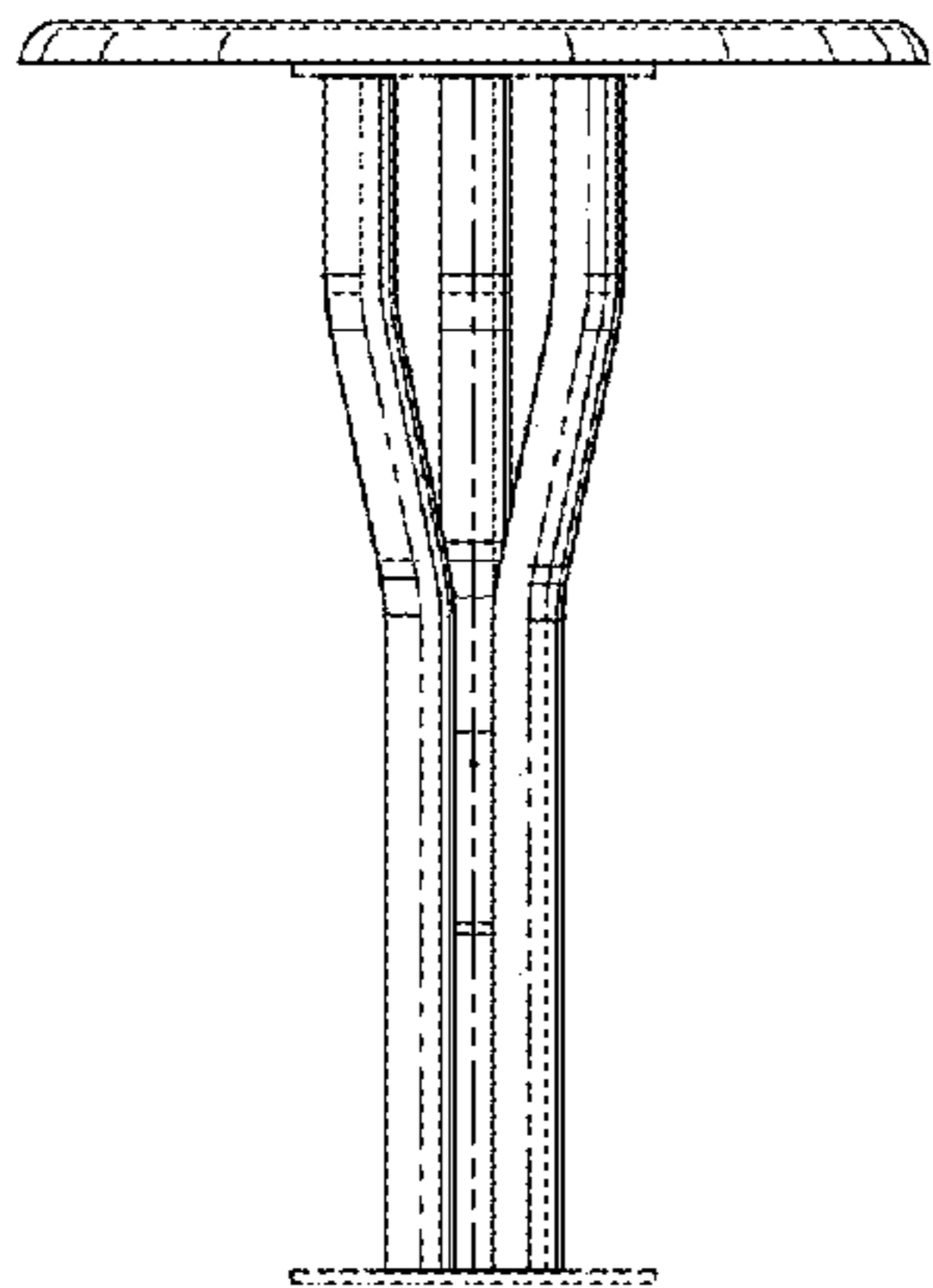


FIG.2

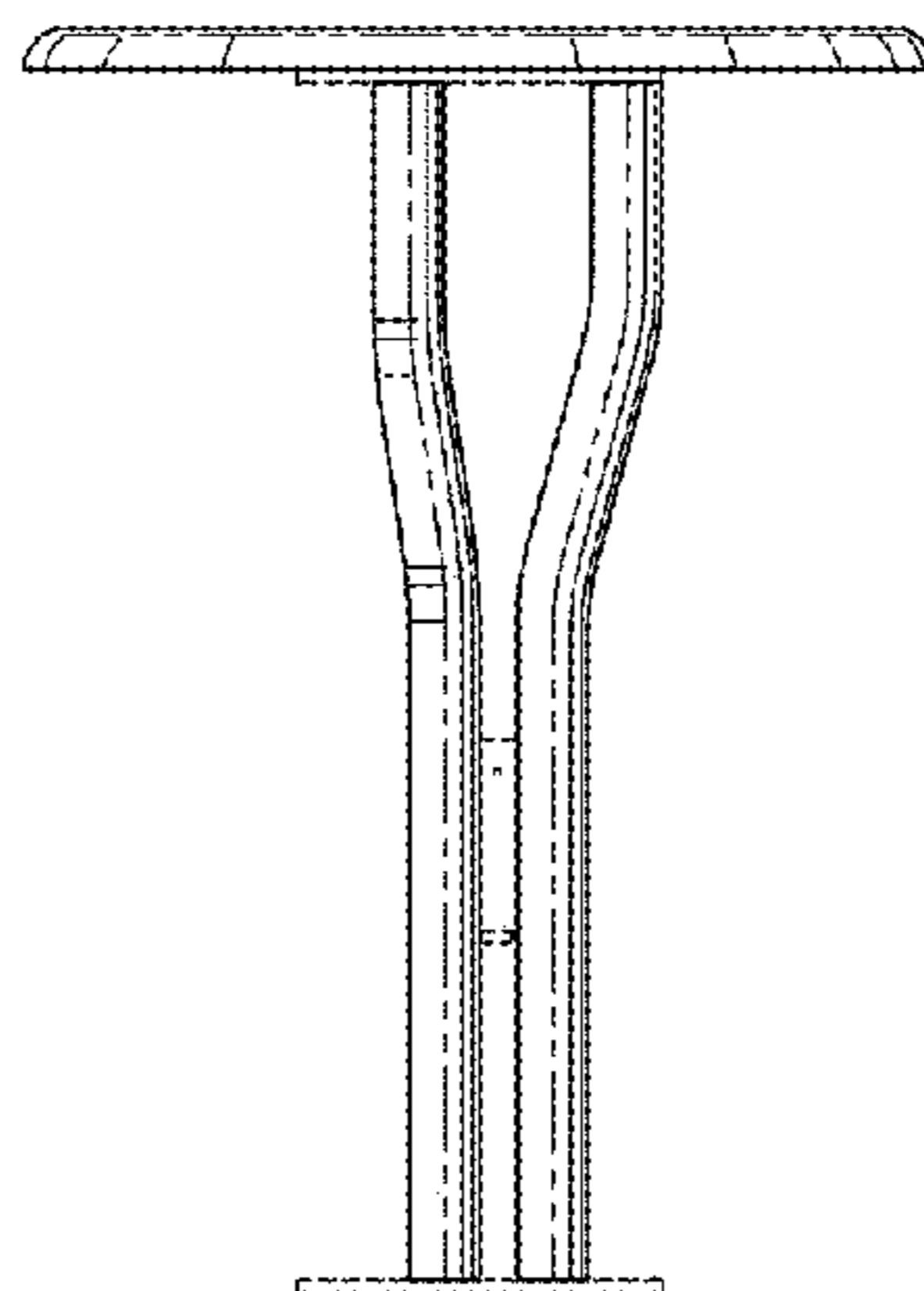


FIG.4

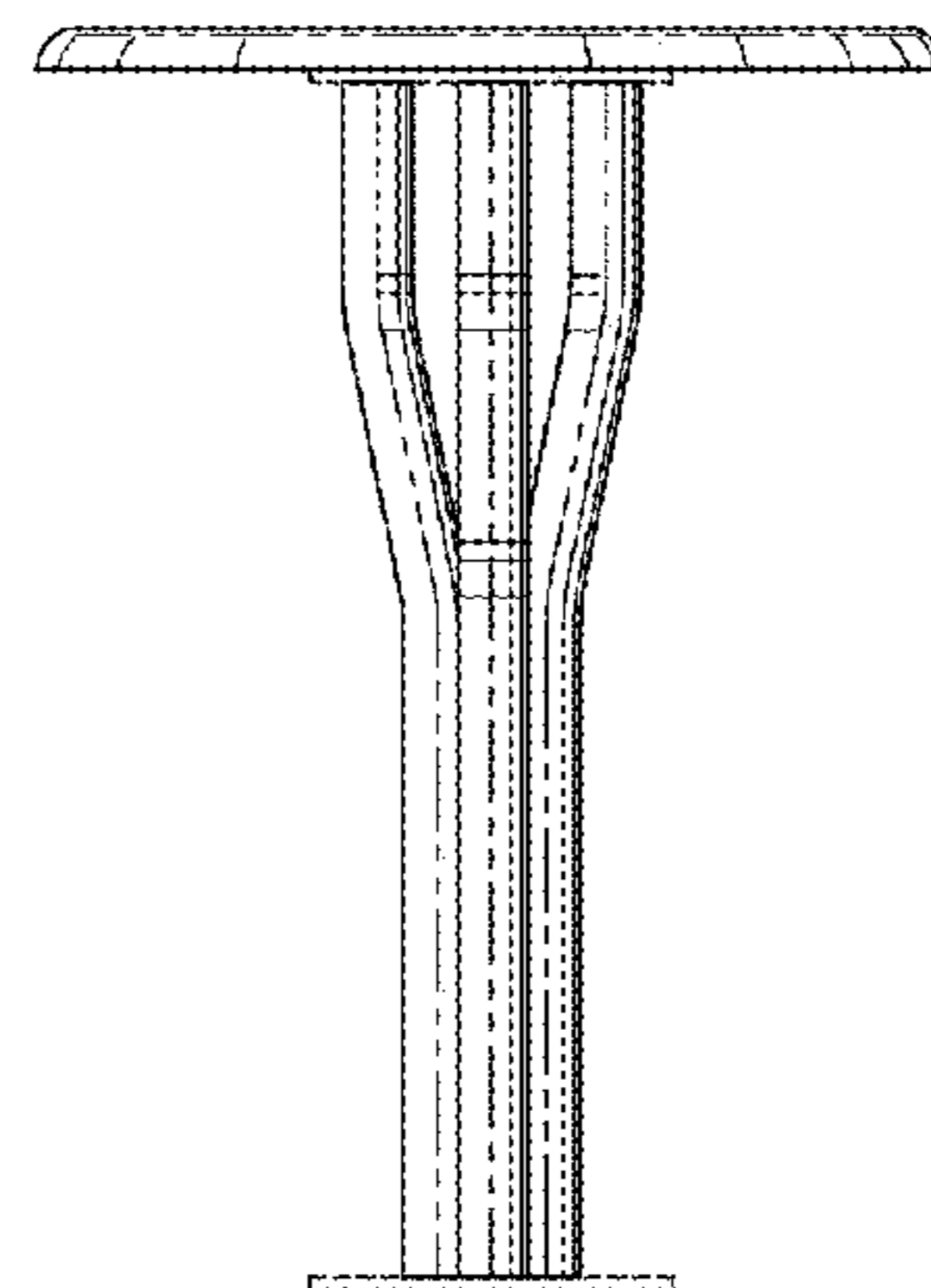


FIG.6

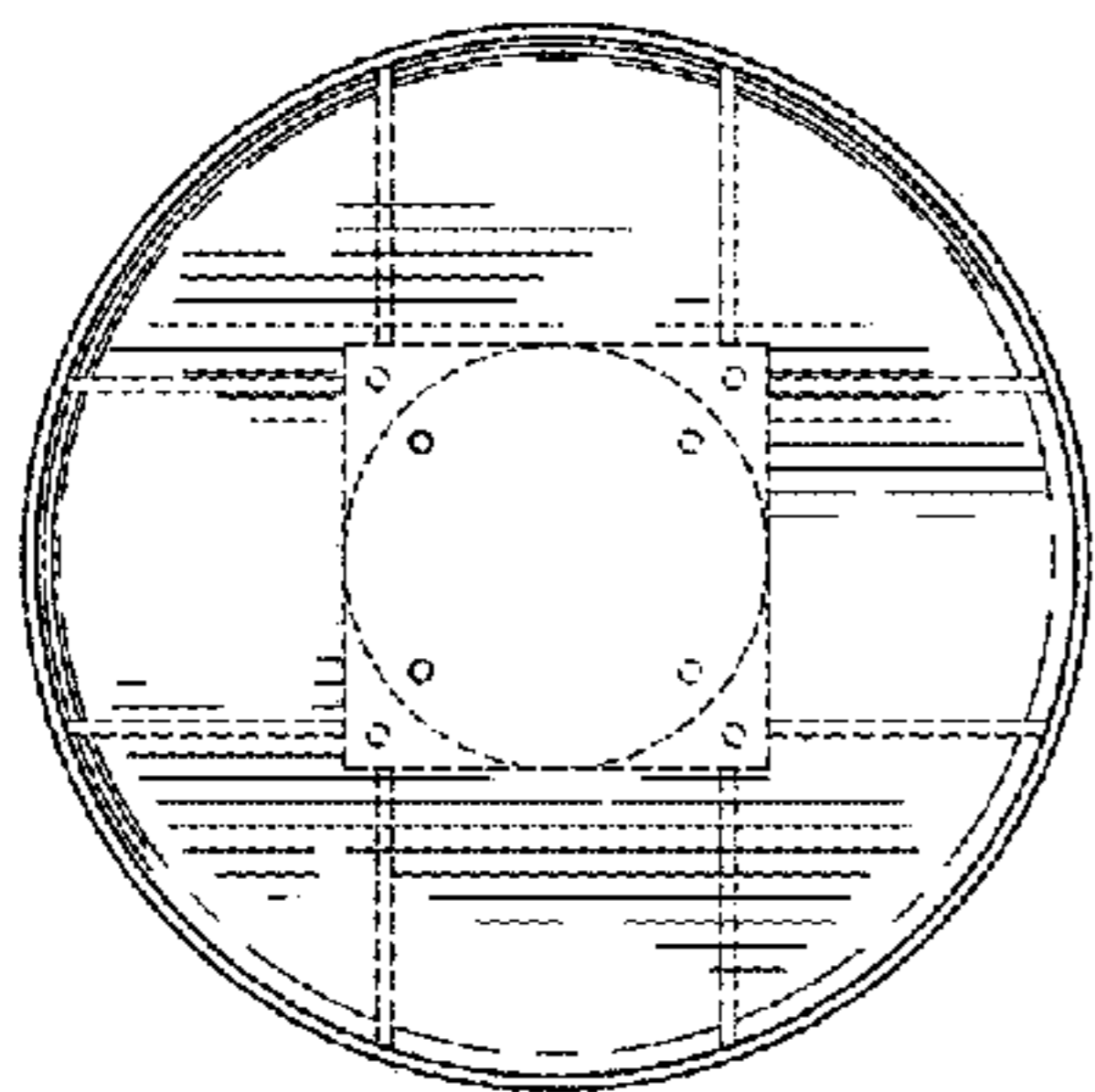


FIG.3

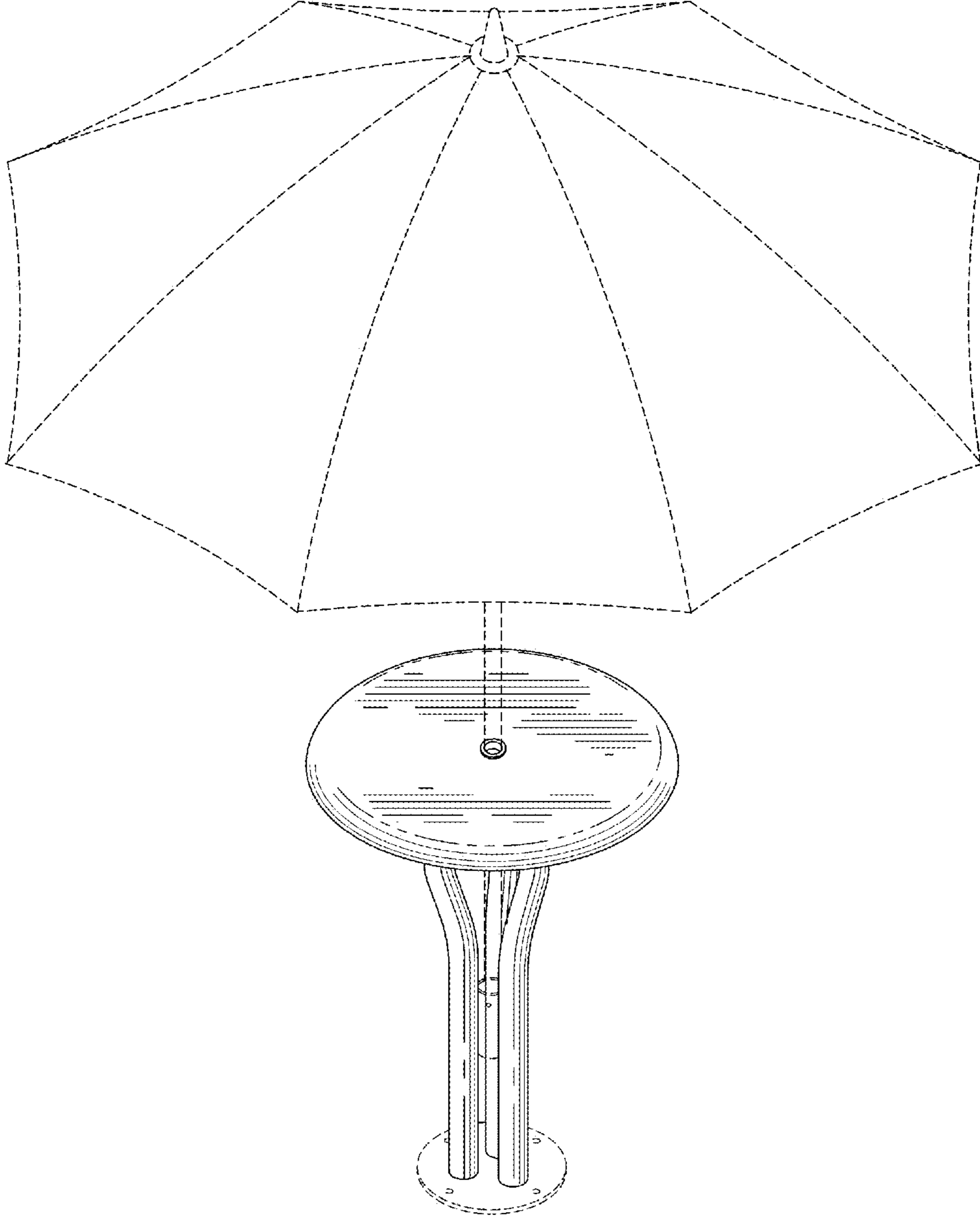


FIG.7

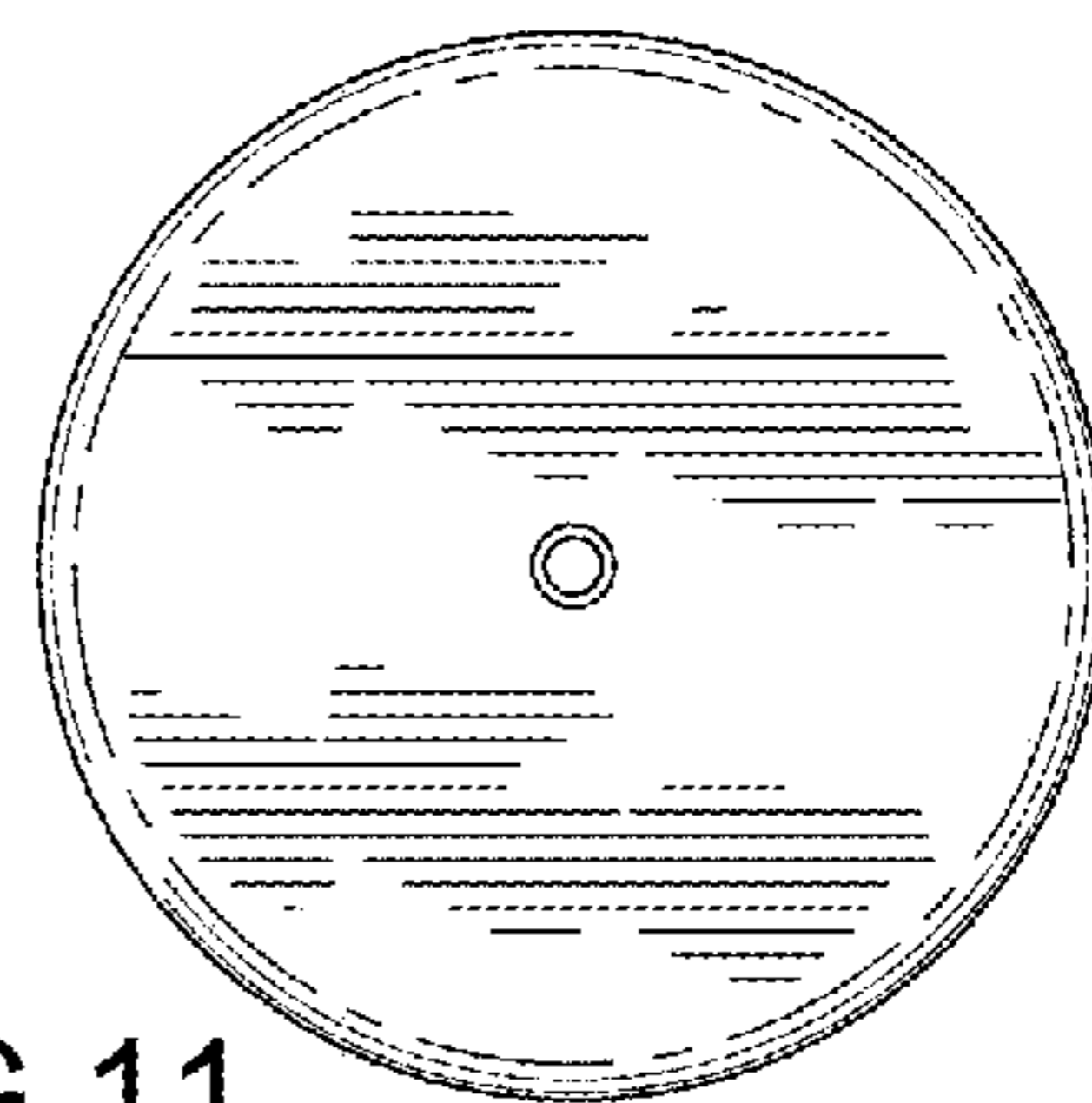


FIG.11

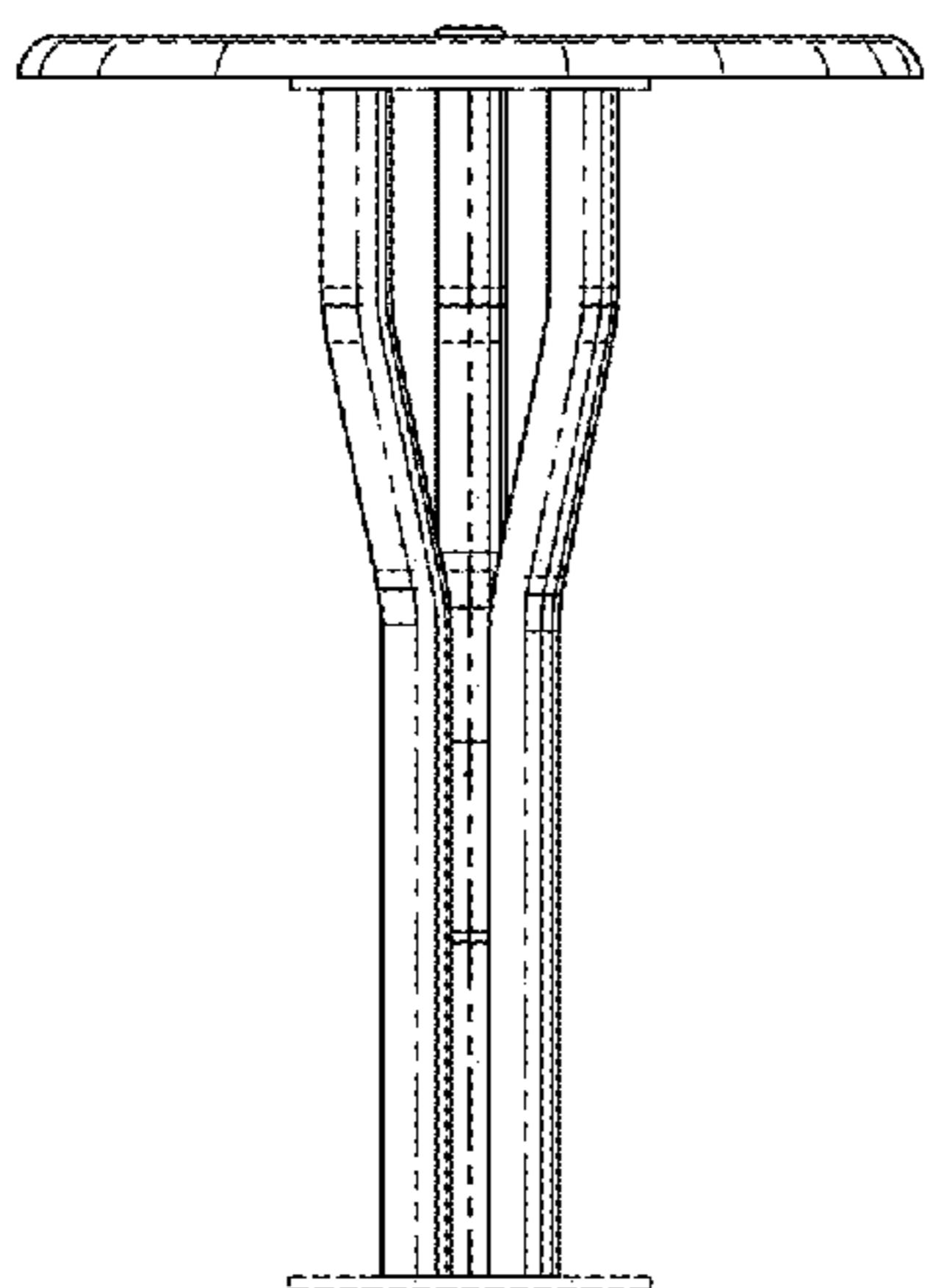


FIG.8

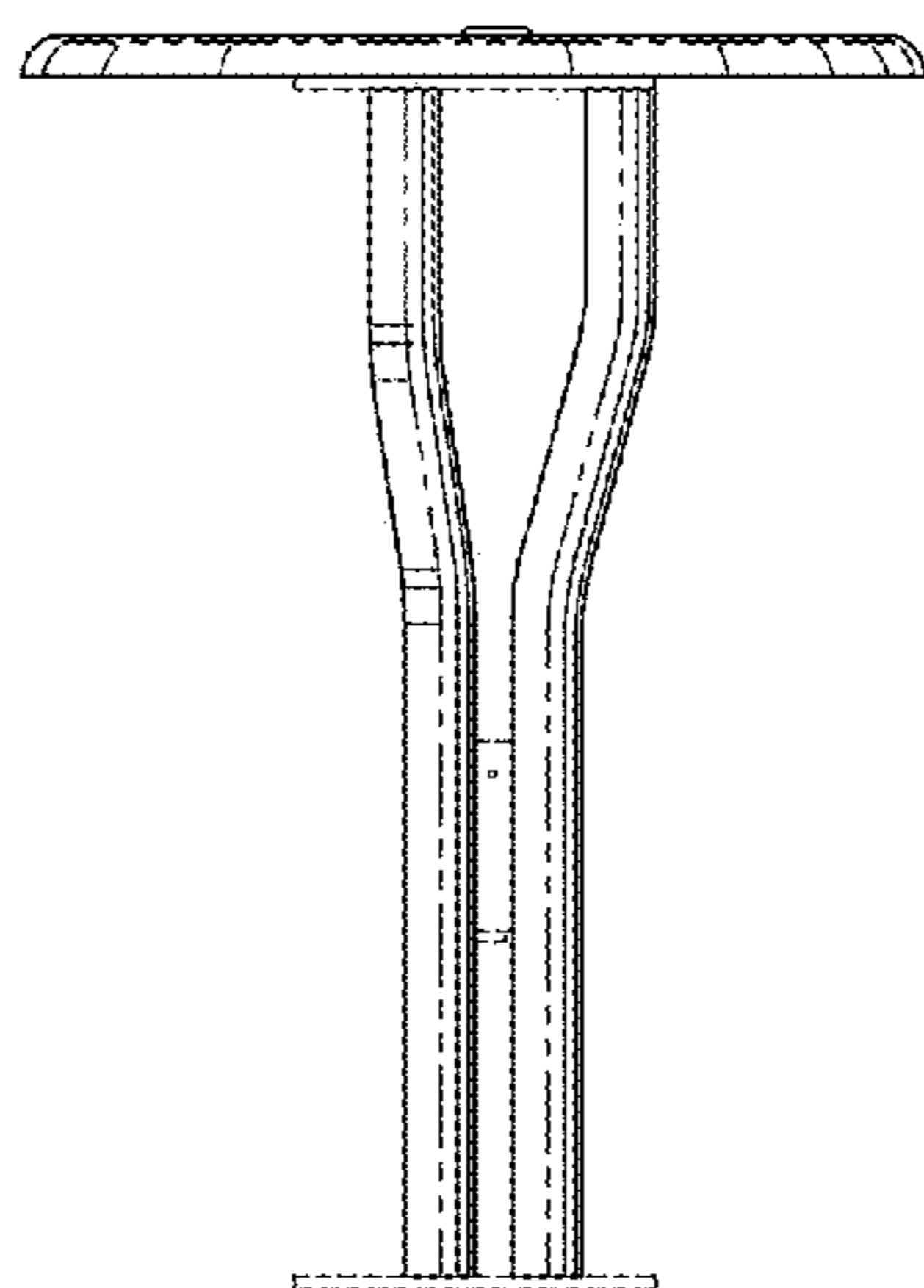


FIG.10

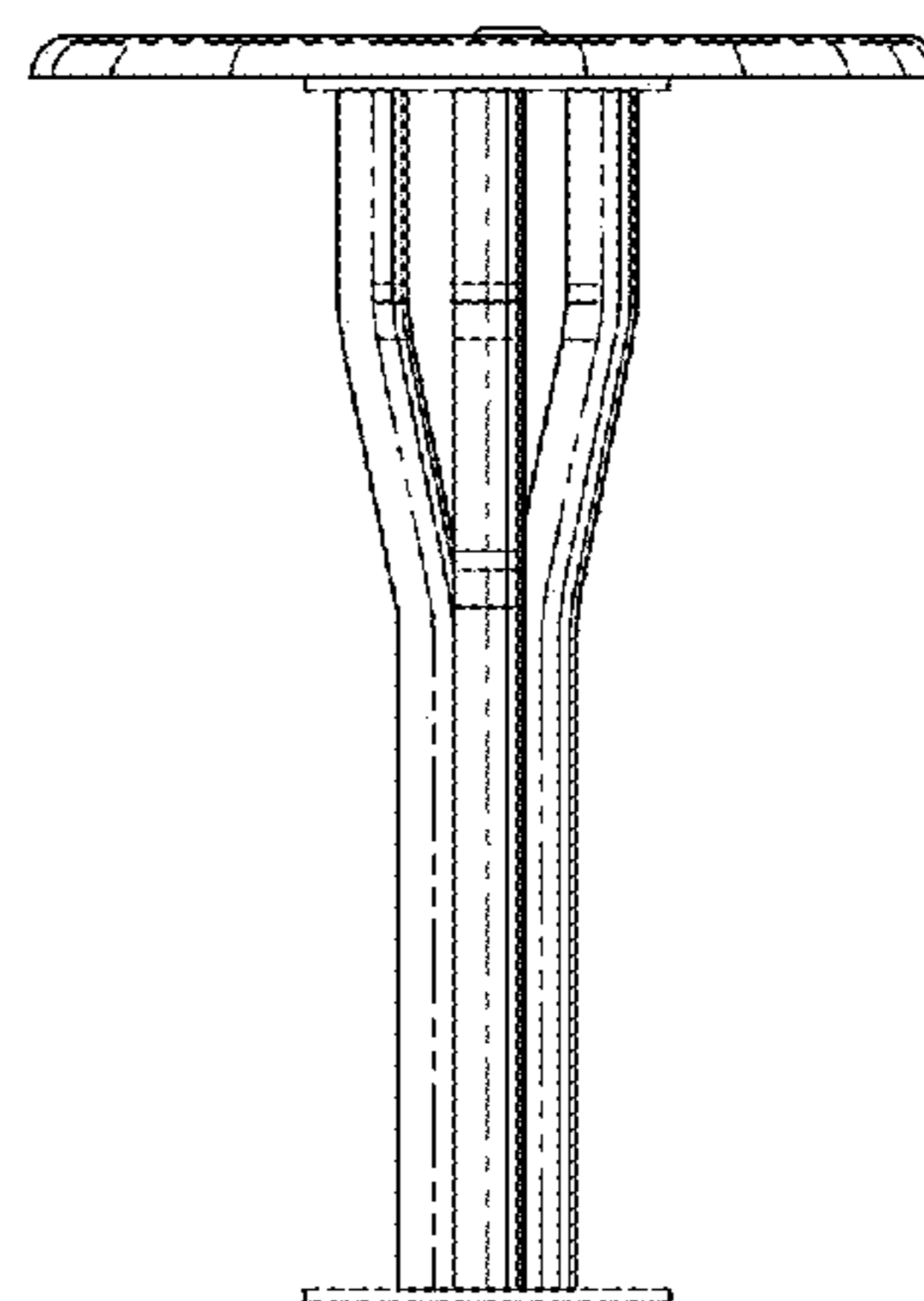


FIG.12

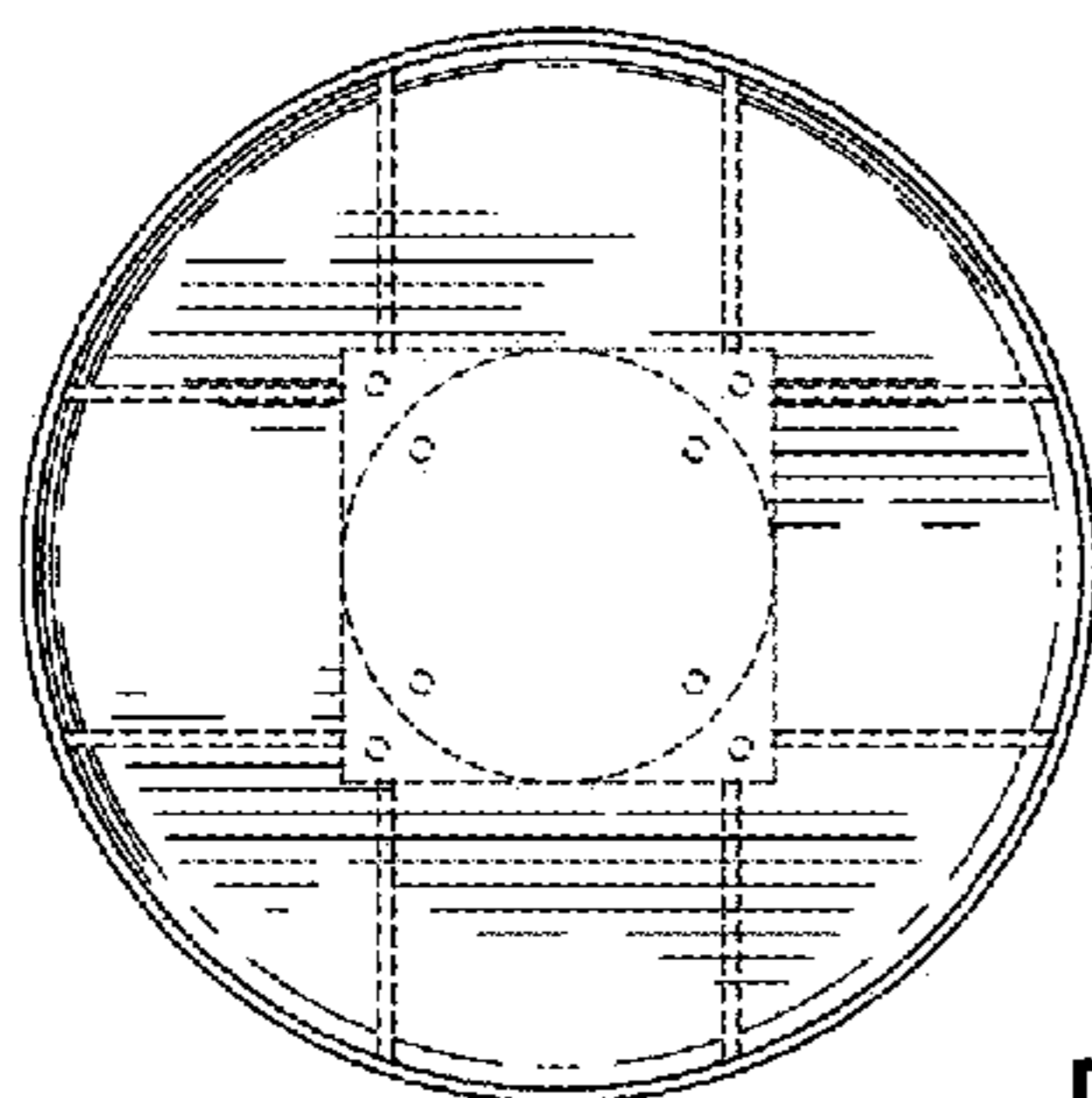


FIG.9

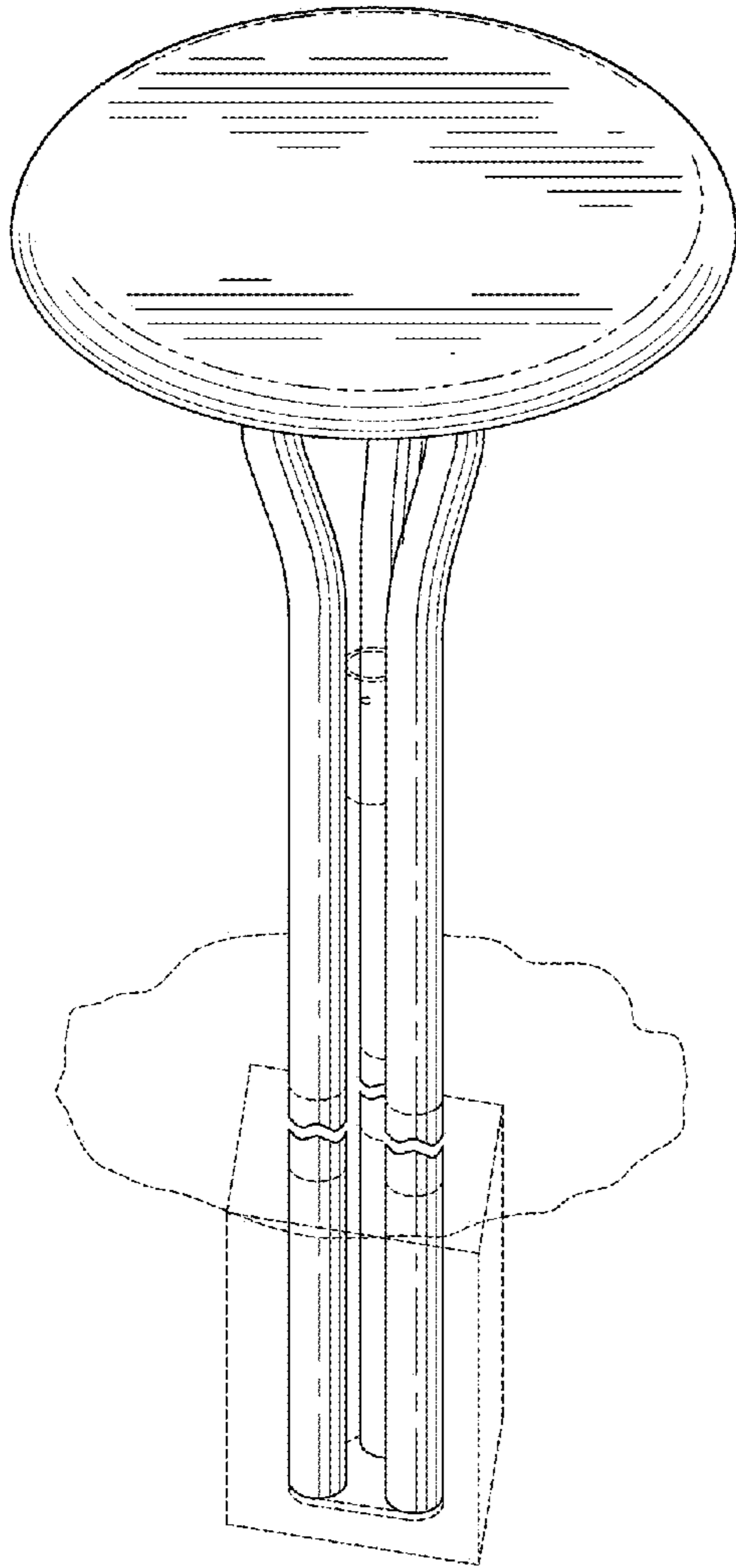


FIG.13

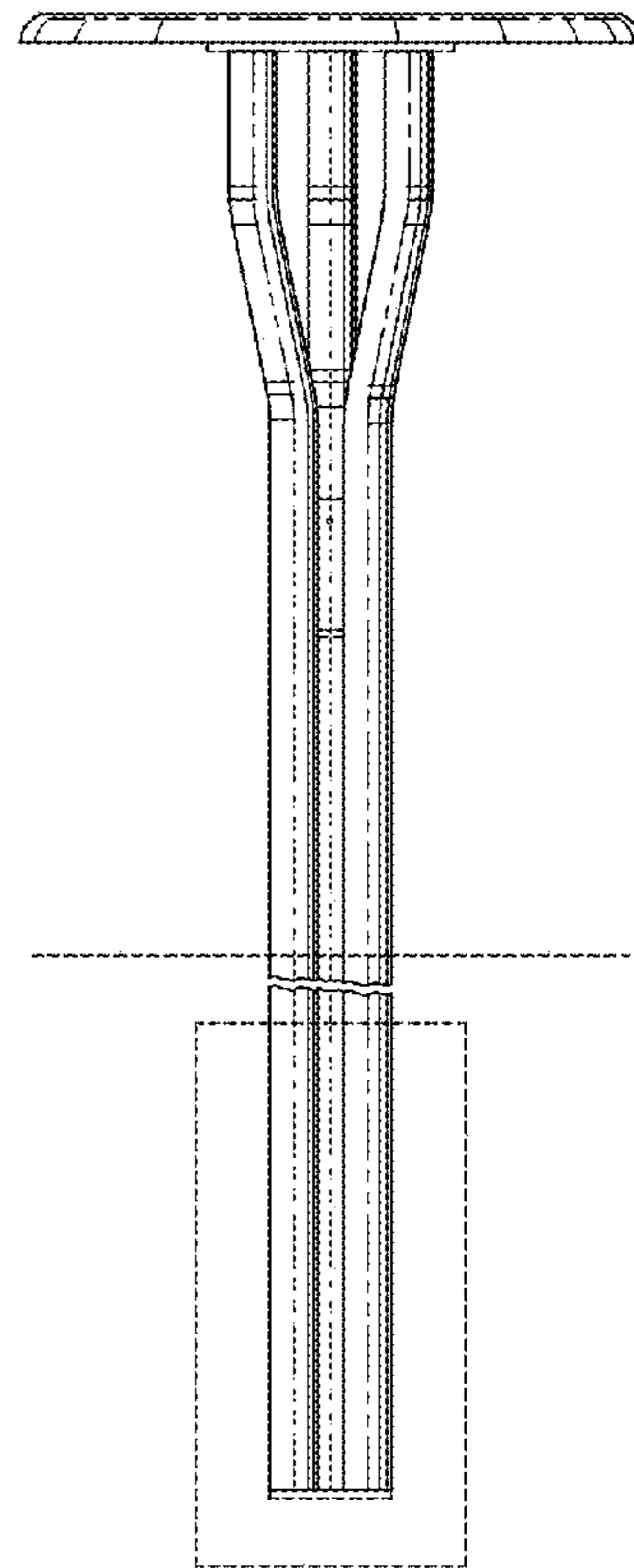


FIG.14

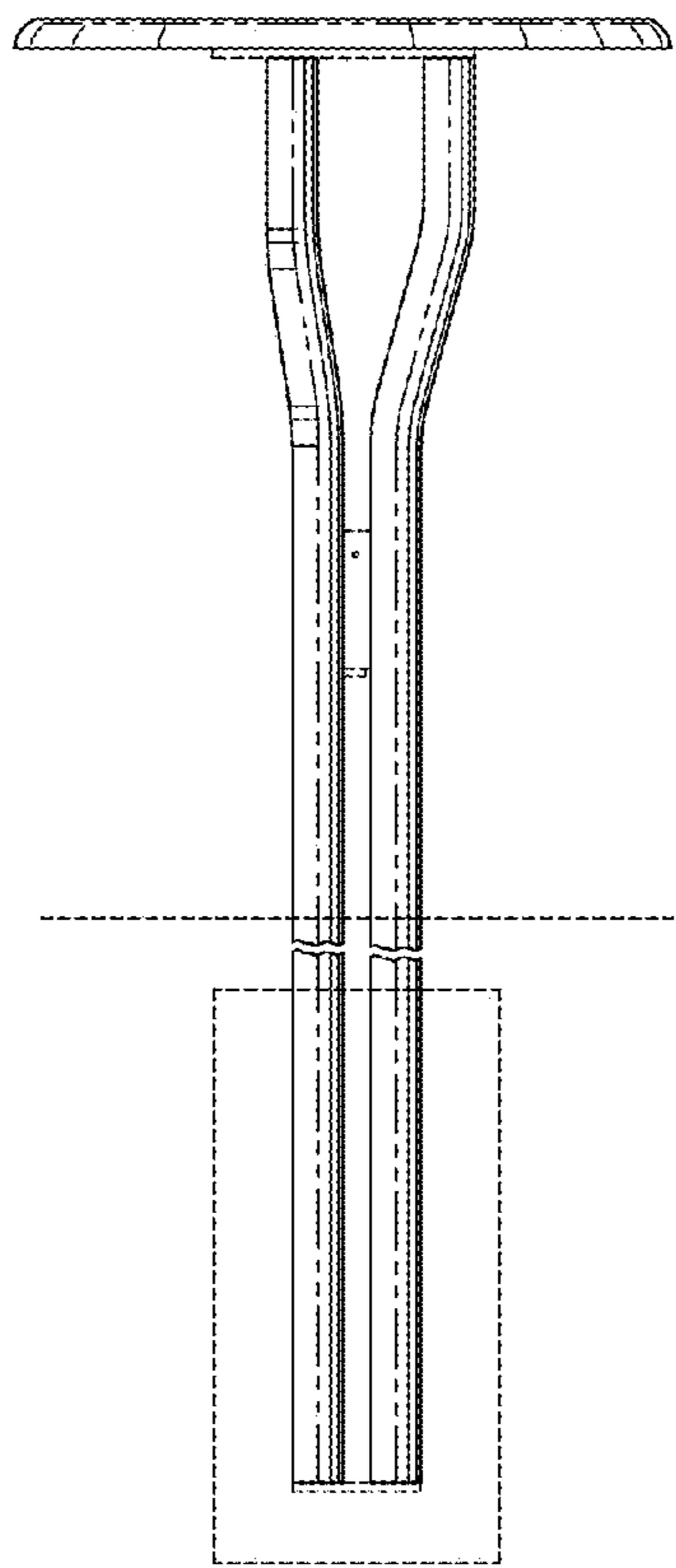


FIG. 15

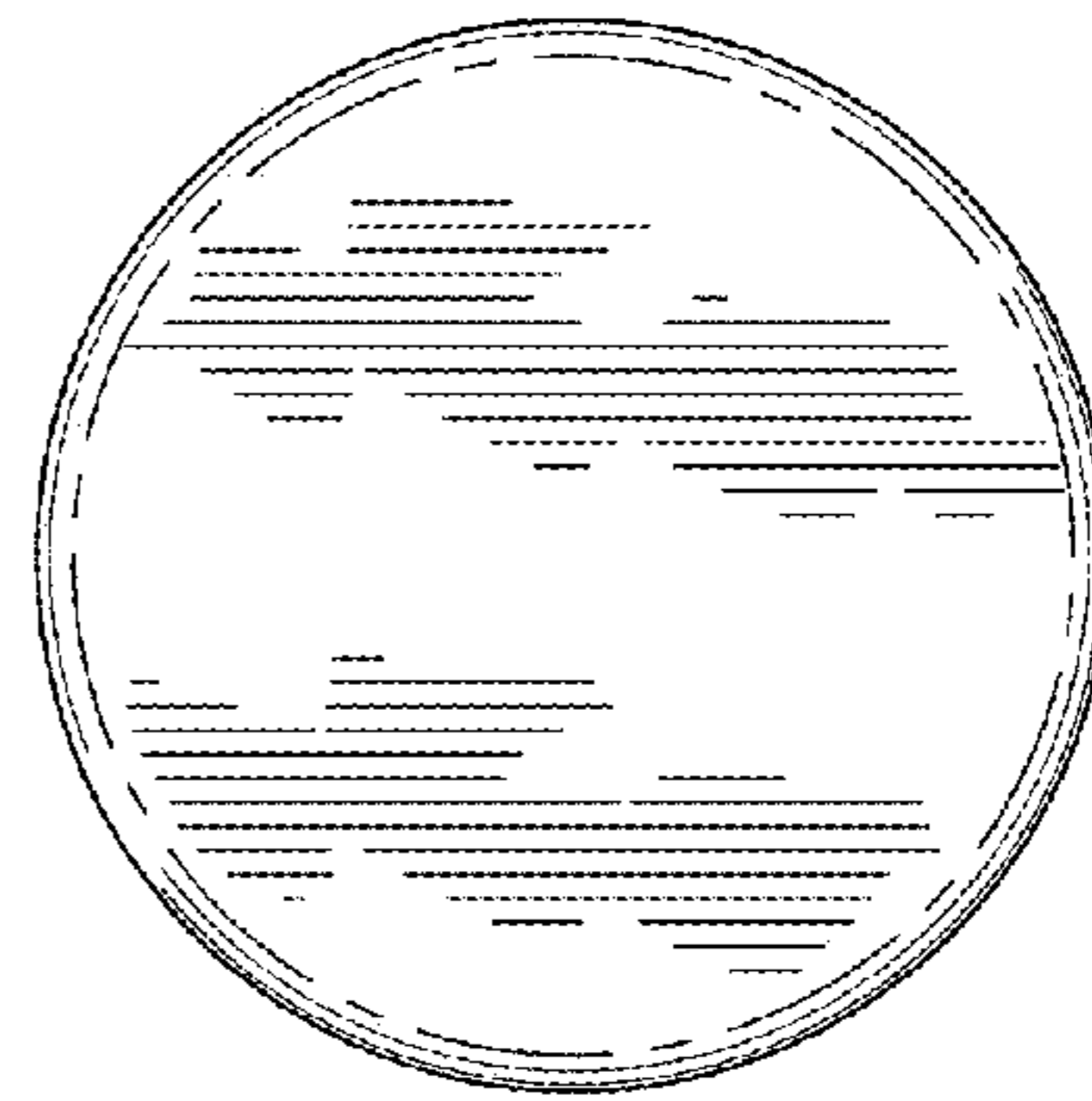


FIG. 17

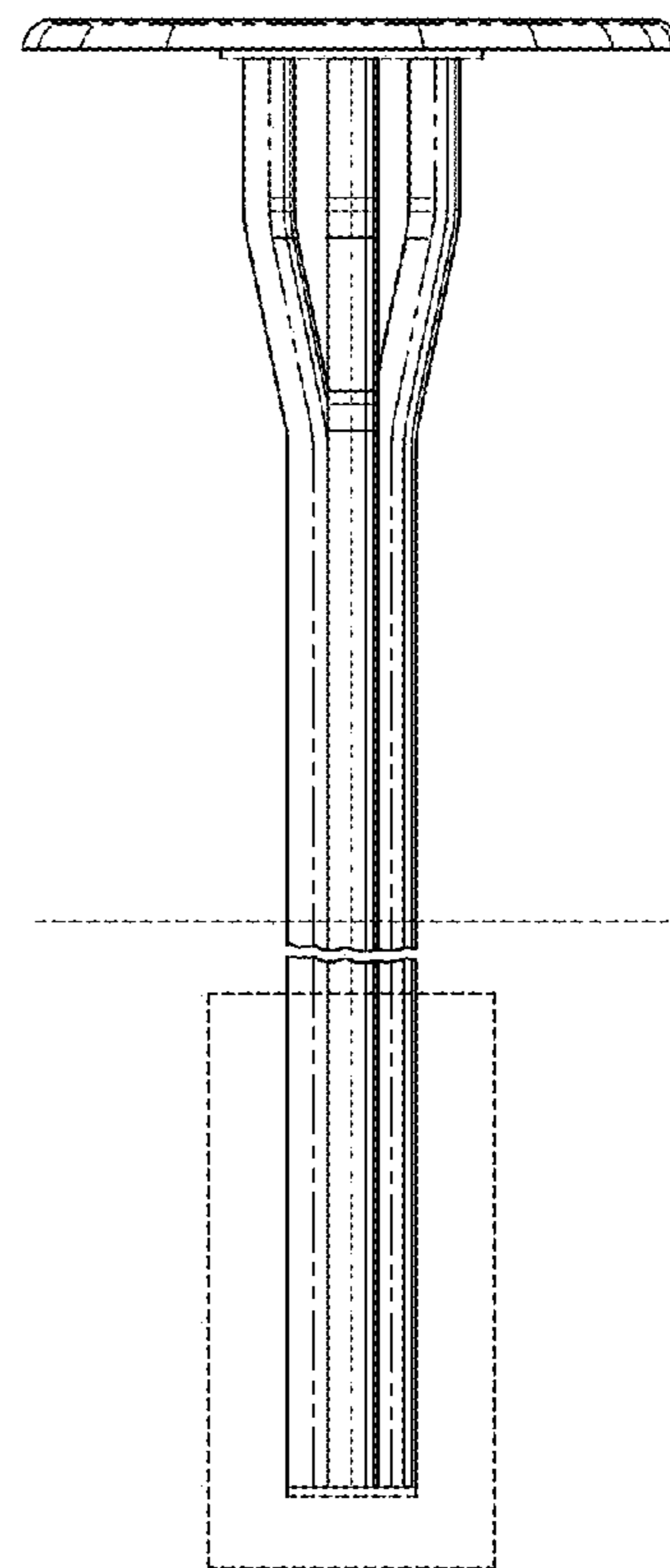


FIG. 18

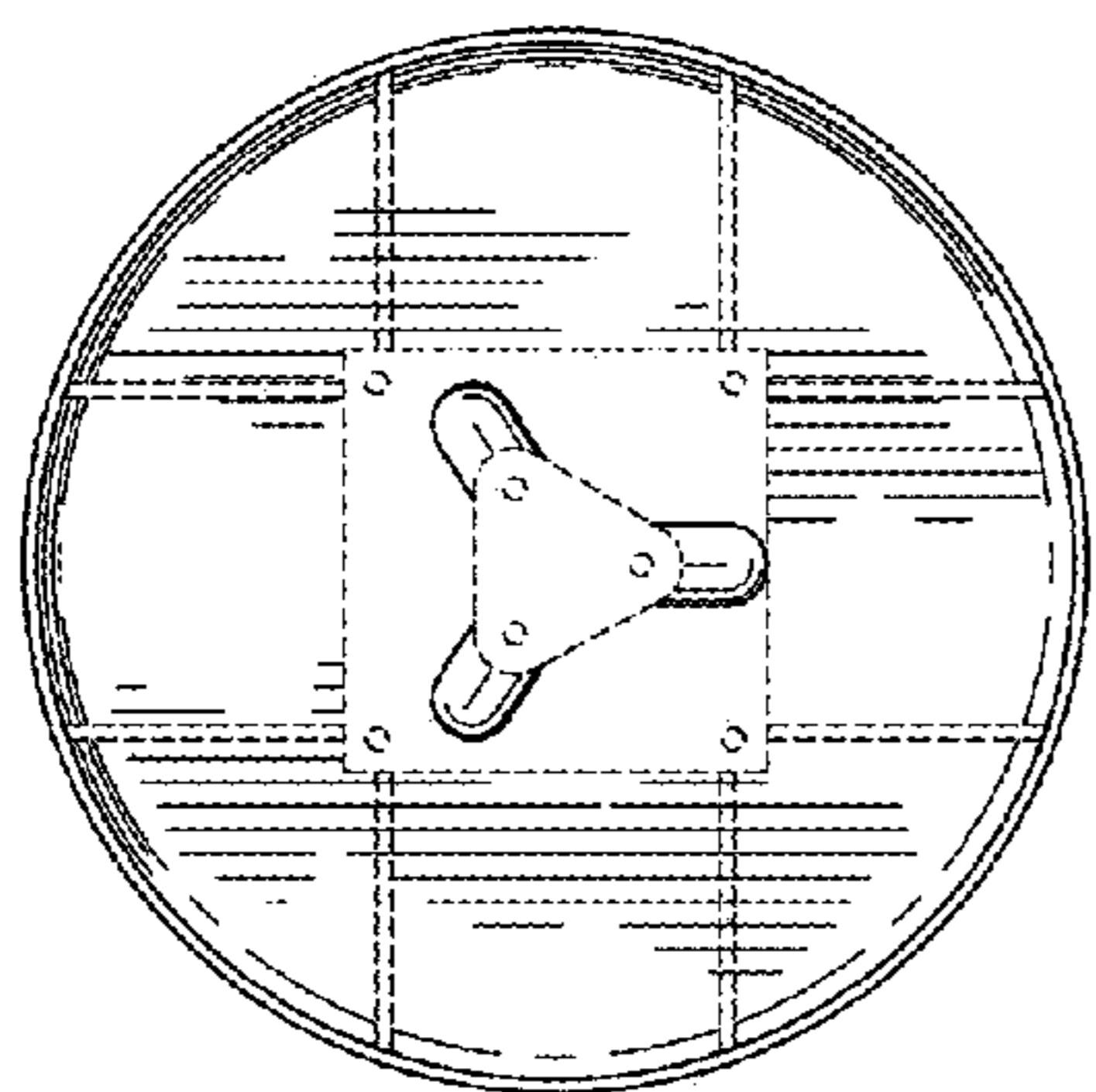


FIG. 16

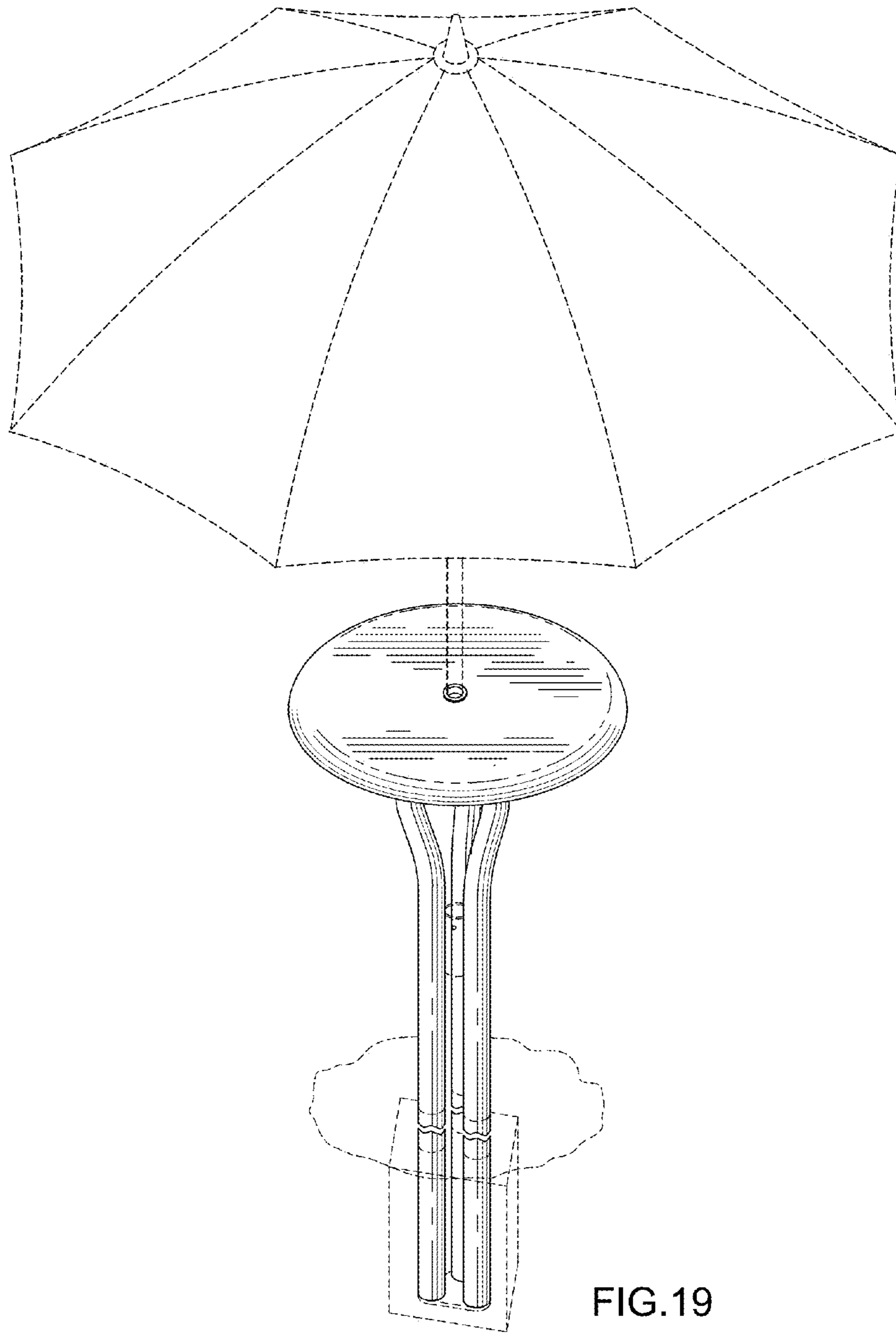


FIG.19



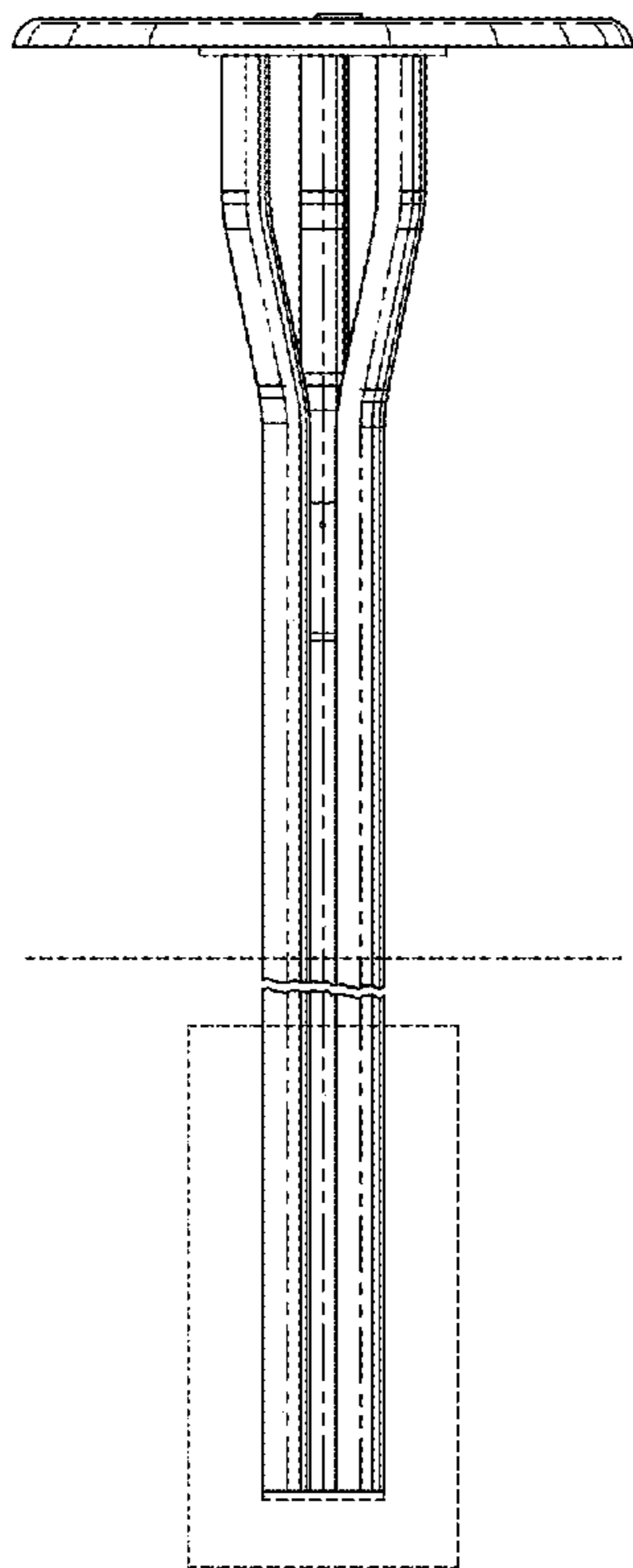


FIG. 20

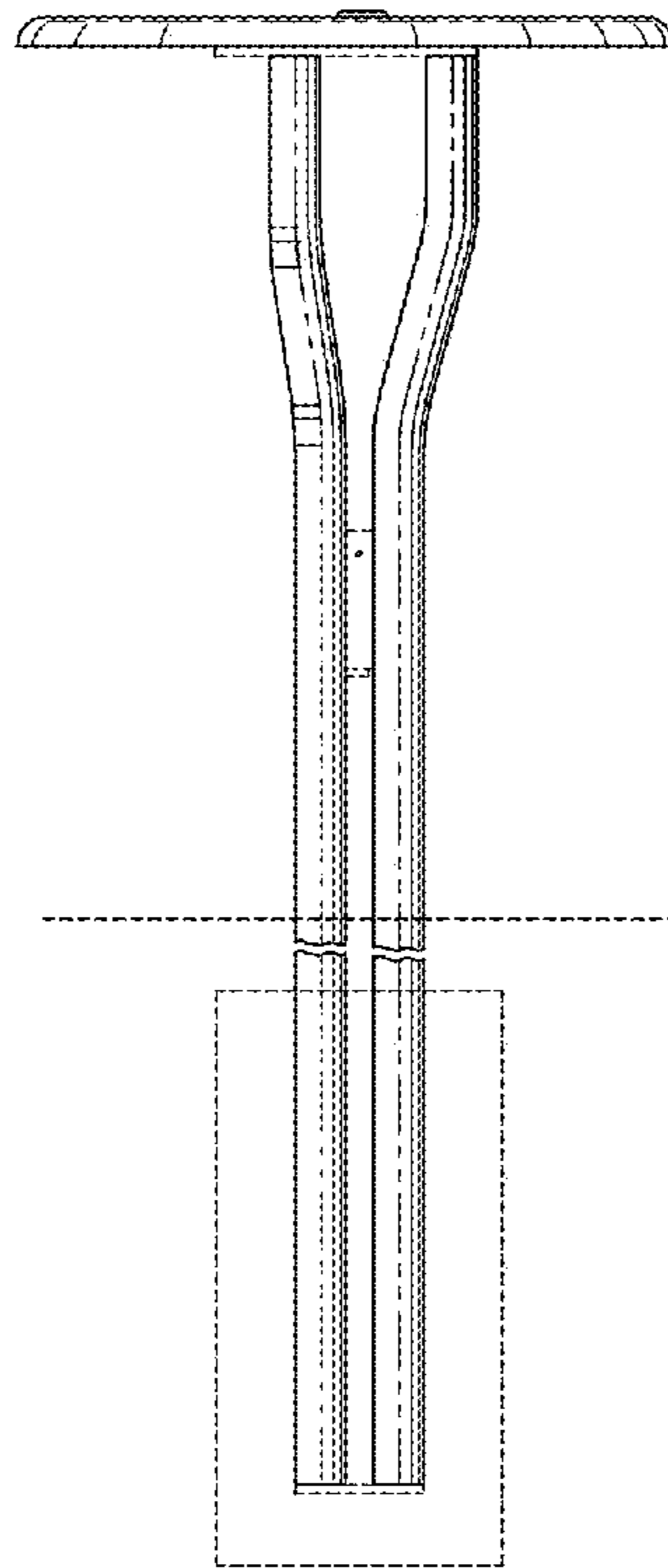


FIG. 21

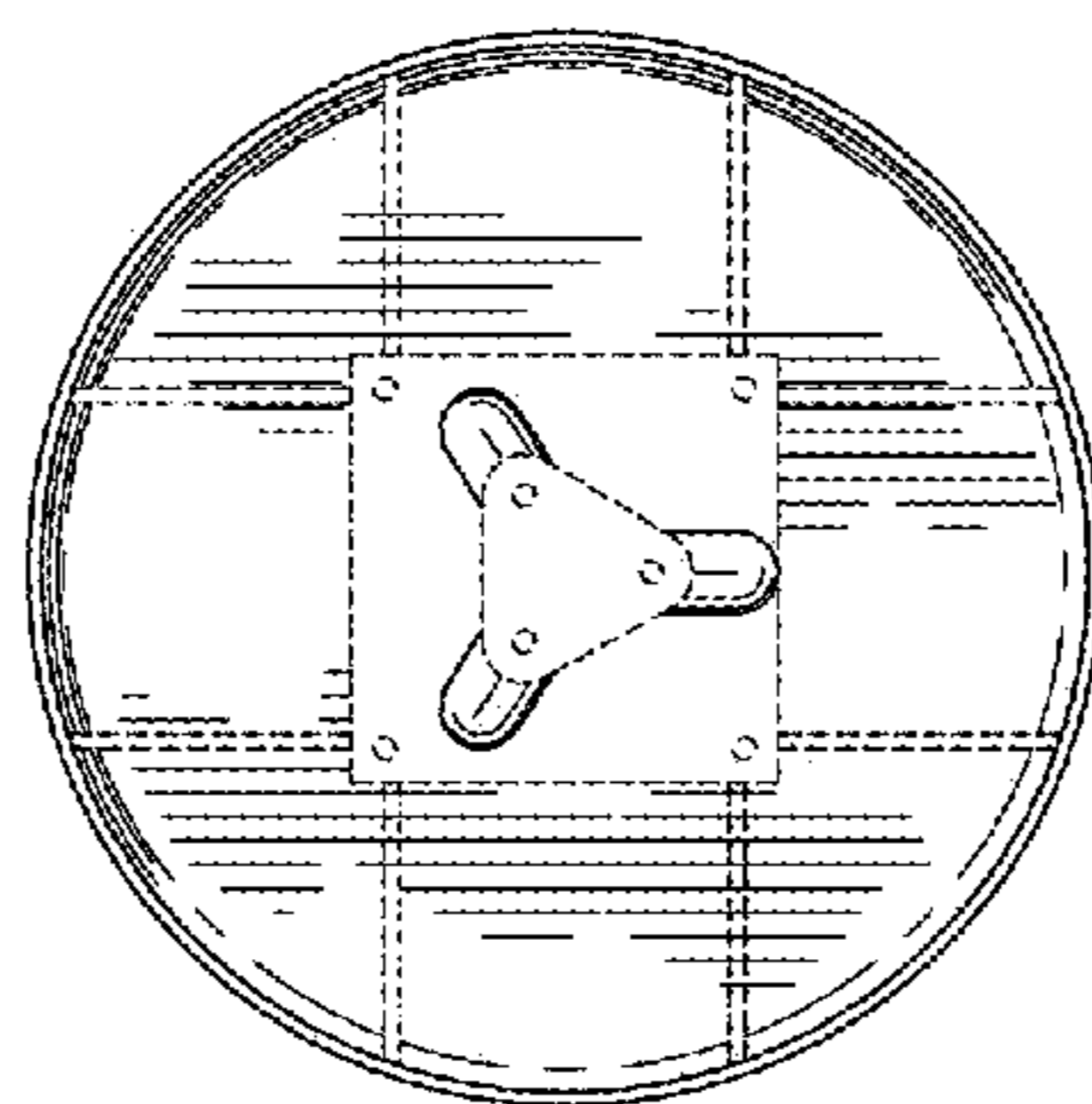


FIG. 22

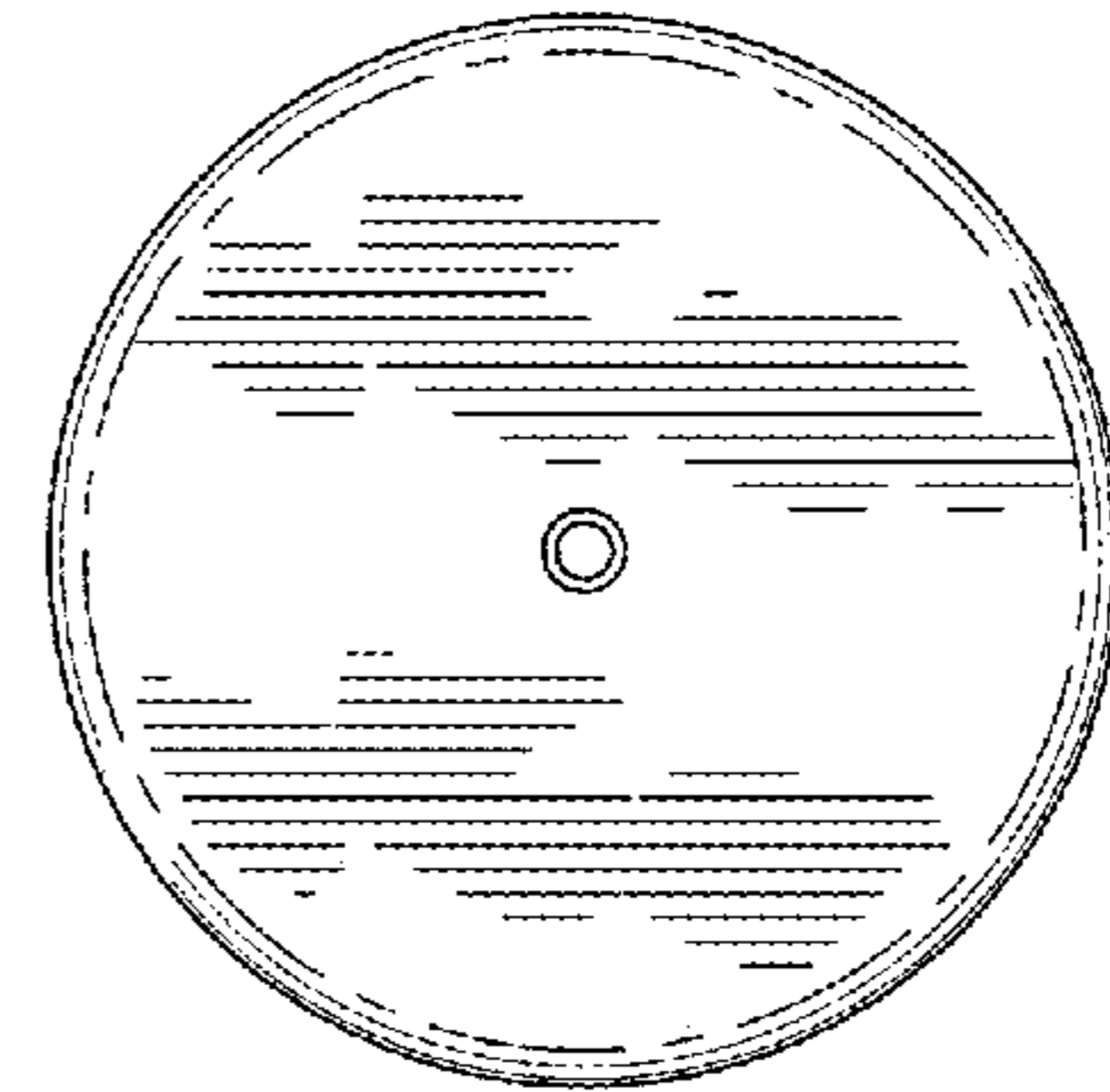


FIG. 23

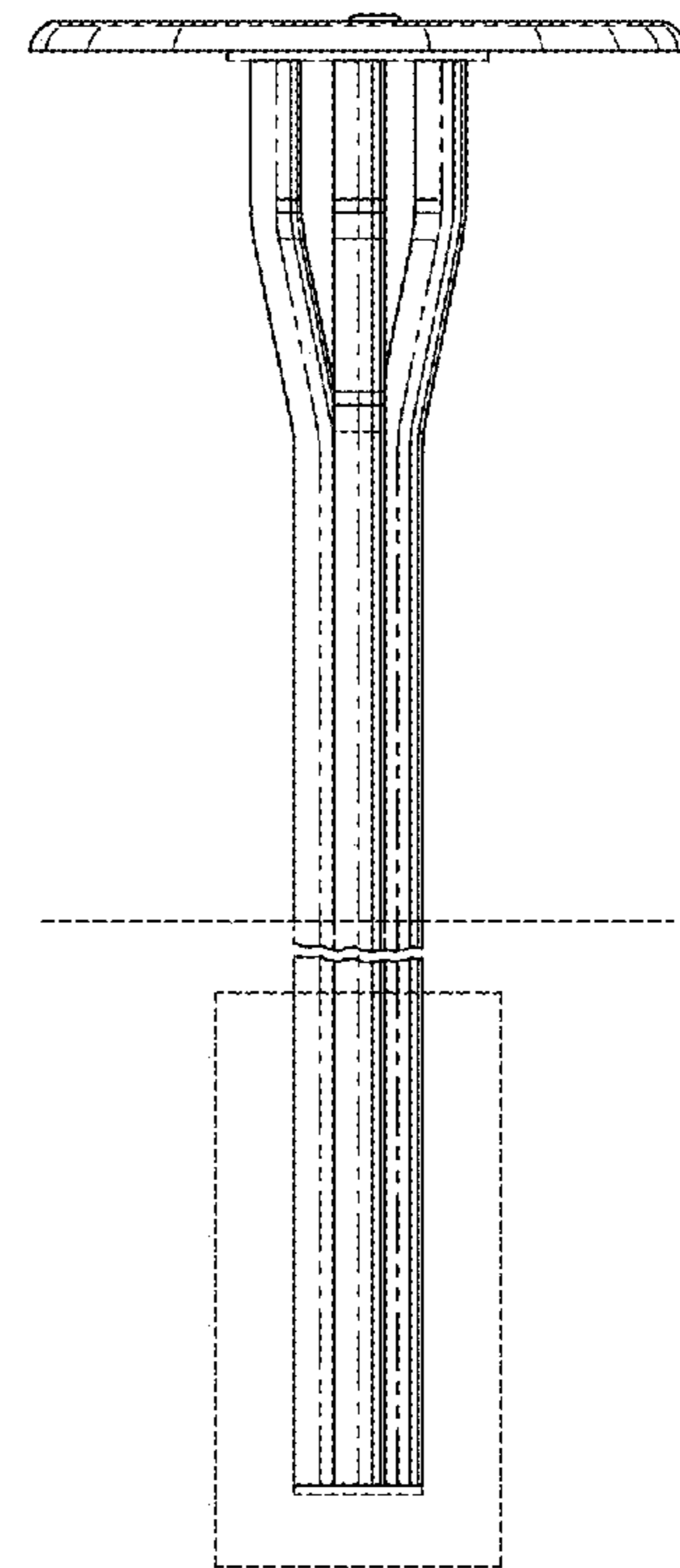


FIG. 24