



US00D724871S

(12) **United States Design Patent**  
**Davis et al.**

(10) **Patent No.:** **US D724,871 S**  
(45) **Date of Patent:** **\*\* Mar. 24, 2015**

(54) **DINING TABLE**

(71) Applicant: **Walker Edison Furniture Company, LLC**, Salt Lake City, UT (US)

(72) Inventors: **Matthew Davis**, Murray, UT (US); **Brad Bonham**, Draper, UT (US)

(73) Assignee: **Walker Edison Furniture Company, LLC**, Salt Lake City, UT (US)

(\*\*) Term: **14 Years**

(21) Appl. No.: **29/455,213**

(22) Filed: **May 17, 2013**

(51) **LOC (10) Cl.** ..... **06-03**

(52) **U.S. Cl.**  
USPC ..... **D6/691**

(58) **Field of Classification Search**  
USPC ..... D6/691, 69.18, 691.9, 691.1, 708;  
108/153.1, 156, 157.1, 161

See application file for complete search history.

(56) **References Cited**

U.S. PATENT DOCUMENTS

D280,686	S	*	9/1985	Kramer et al.	.....	D6/484
D380,320	S	*	7/1997	Grazioli	.....	D6/480
D458,474	S	*	6/2002	Hecht et al.	.....	D6/480
D545,597	S	*	7/2007	Aubriot et al.	.....	D6/495
2013/0139737	A1	*	6/2013	Kleinklaus et al.	.....	108/166

\* cited by examiner

*Primary Examiner* — Janice Seeger

(74) *Attorney, Agent, or Firm* — Workman Nydegger

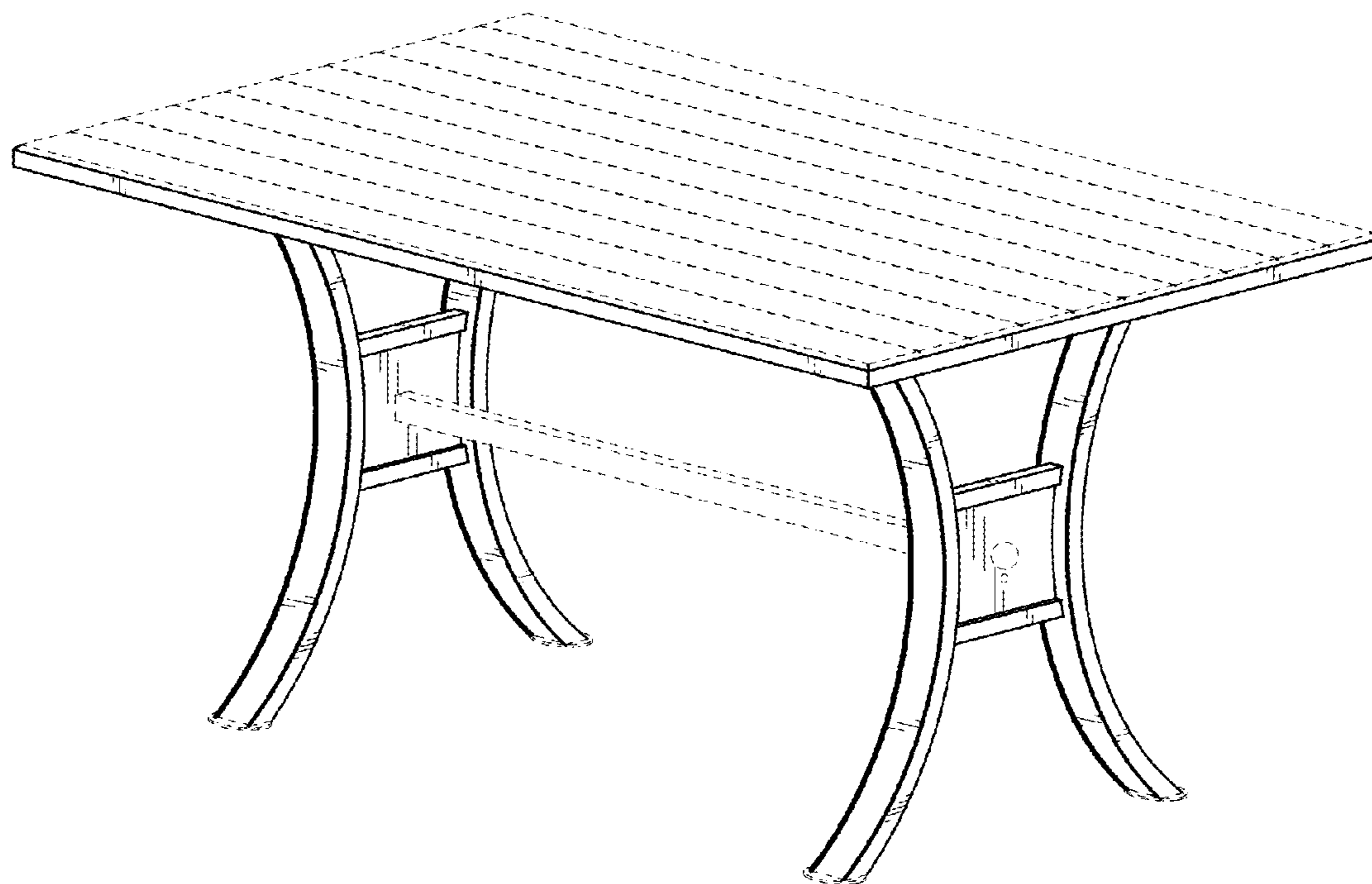
(57) **CLAIM**

The ornamental design for a dining table, as shown and described.

**DESCRIPTION**

FIG. 1 is a front perspective view of a dining table;  
FIG. 2 is a bottom perspective view thereof;  
FIG. 3 is a side perspective view thereof;  
FIG. 4 is an end perspective view thereof; and,  
FIG. 5 is a bottom perspective view thereof.  
The broken lines showing environment in the drawings are included for illustrative purposes only and form no part of the claimed design.

**1 Claim, 3 Drawing Sheets**



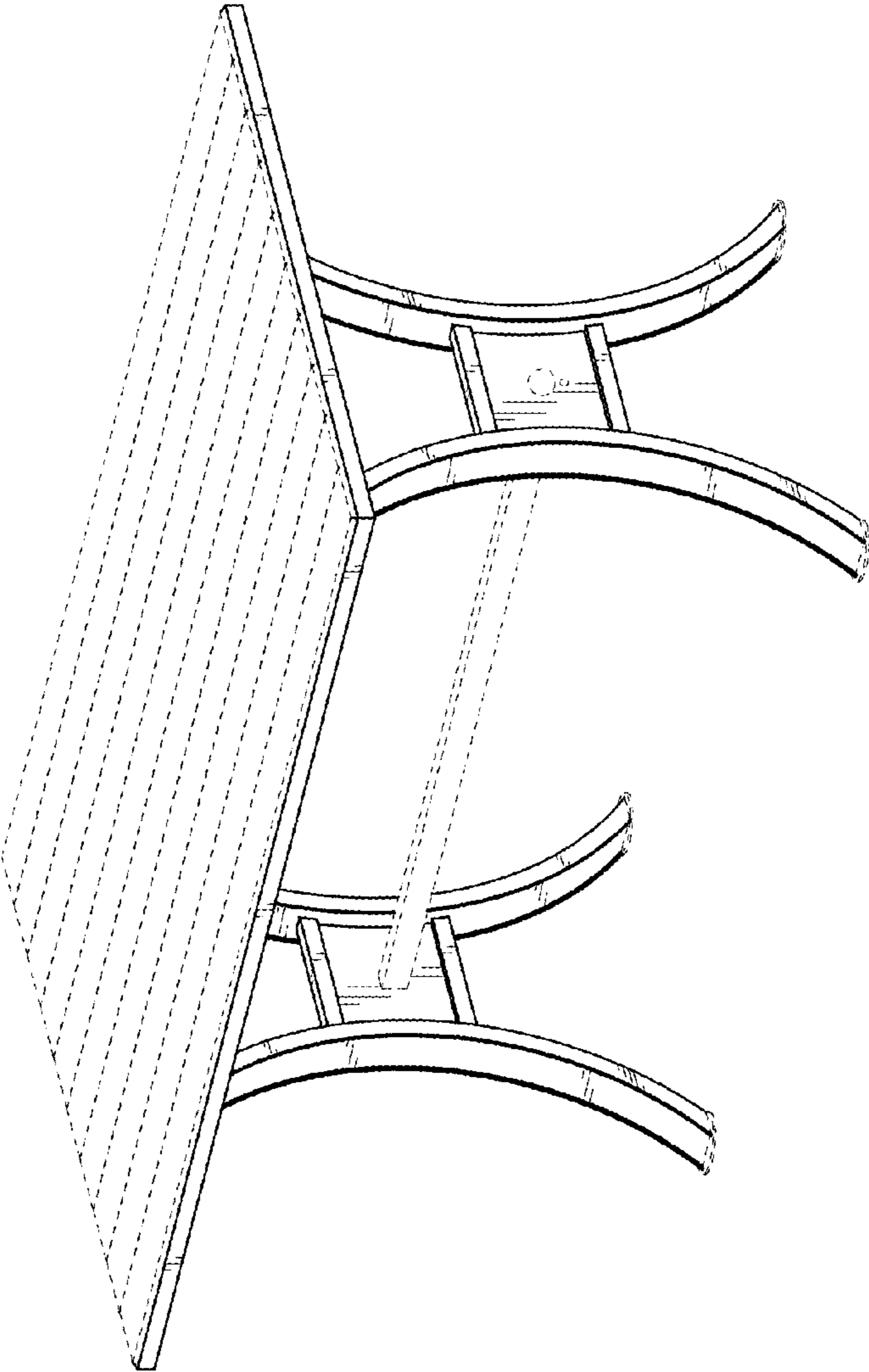


FIG. 1

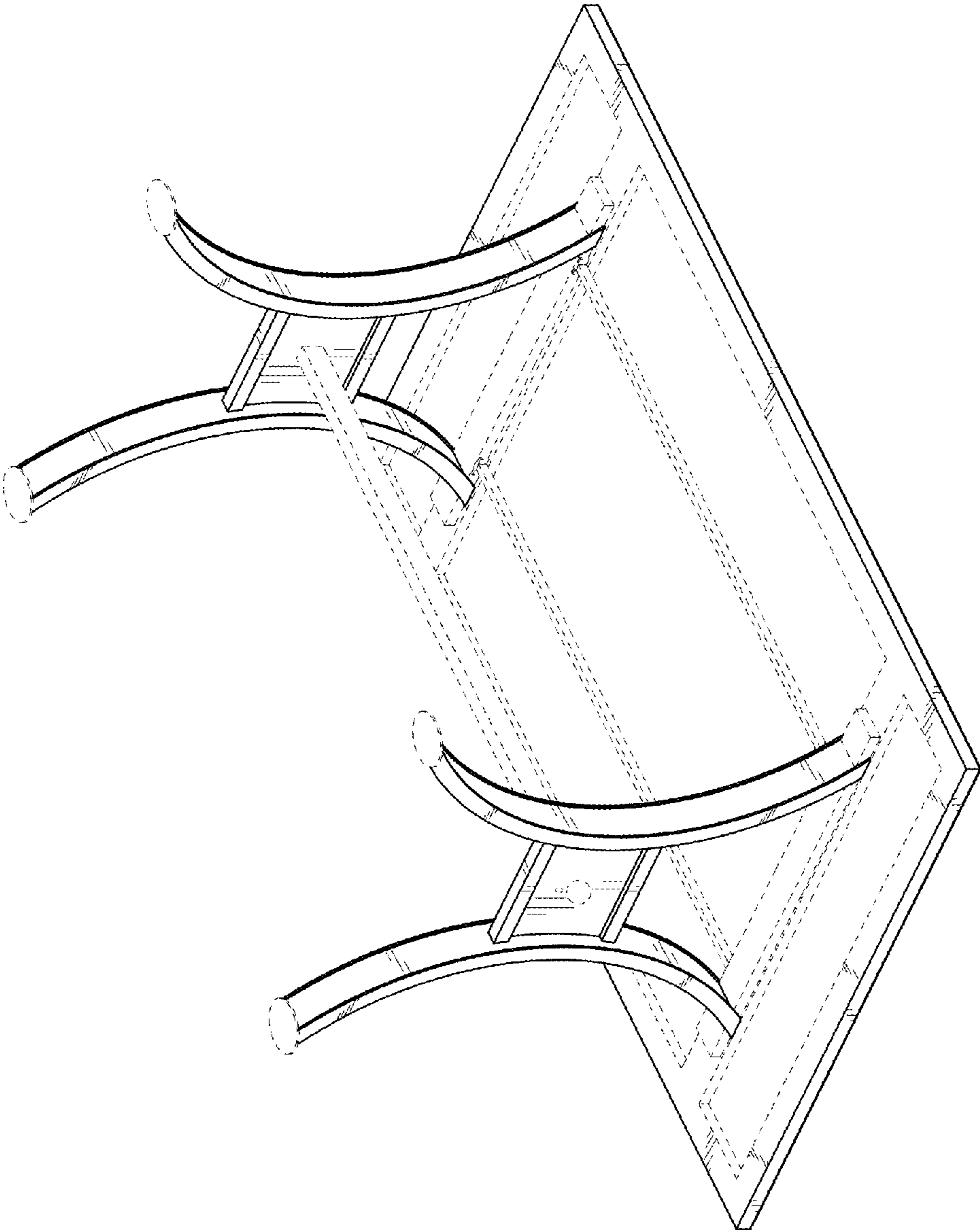


FIG. 2

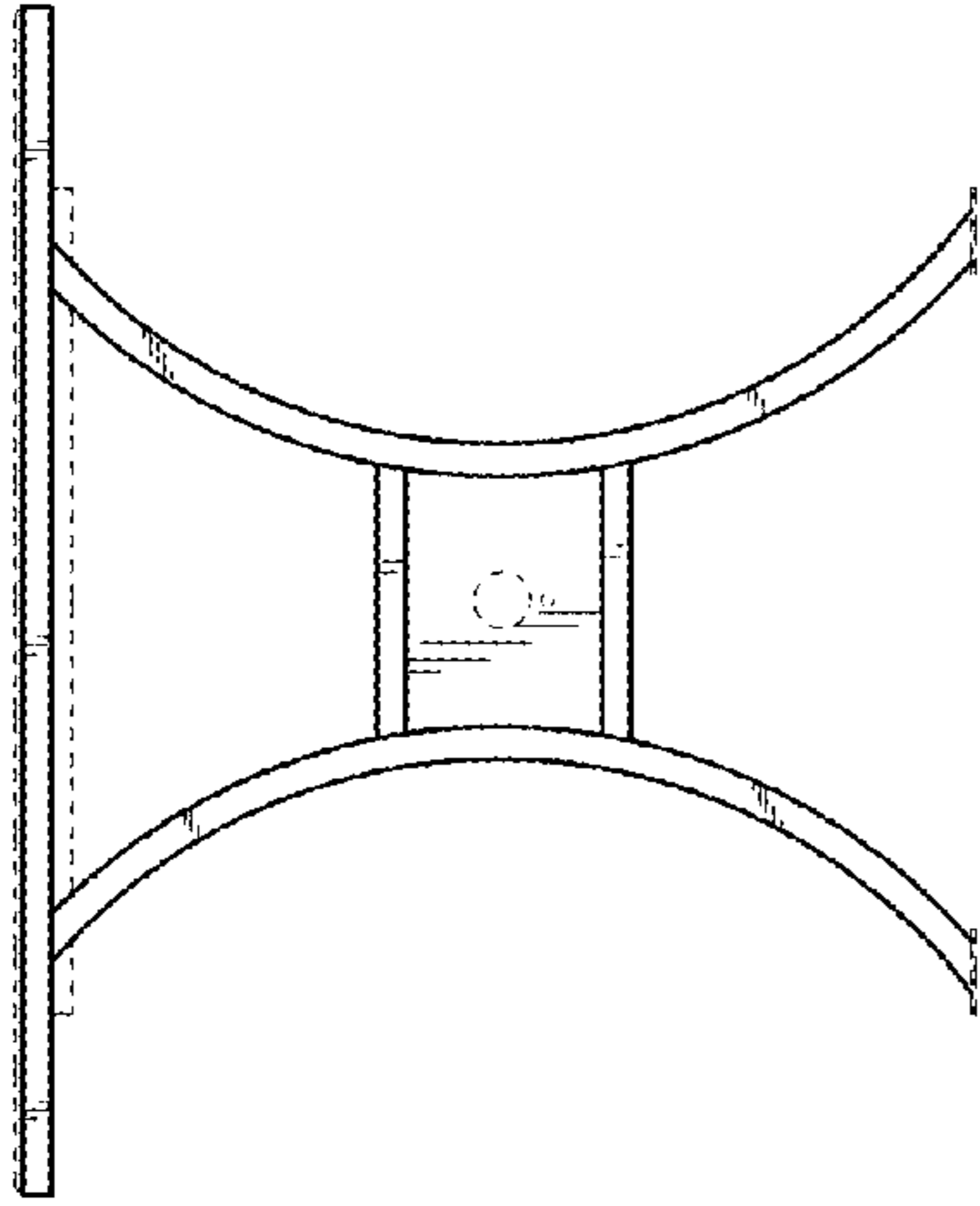


FIG. 4

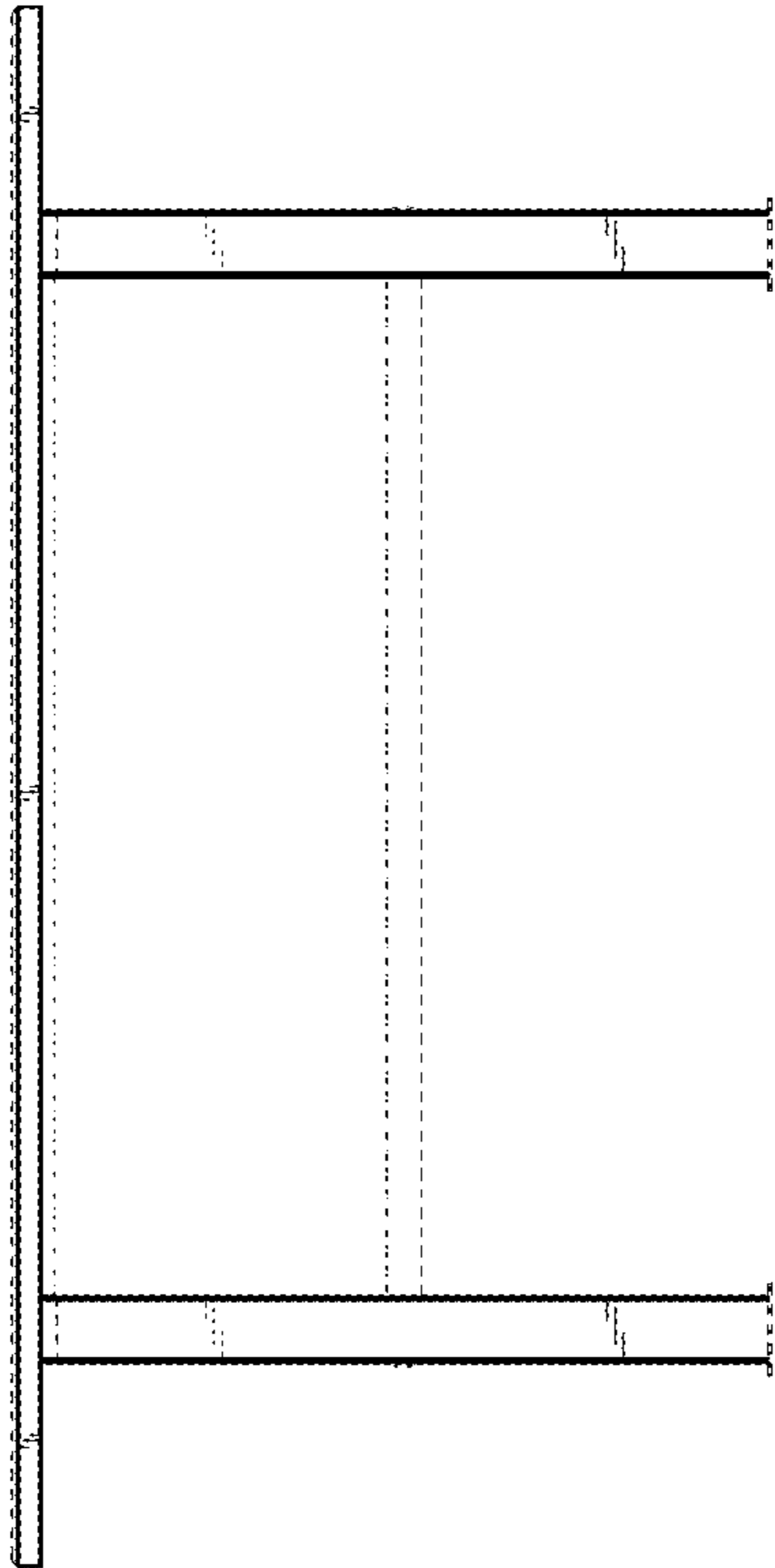


FIG. 3

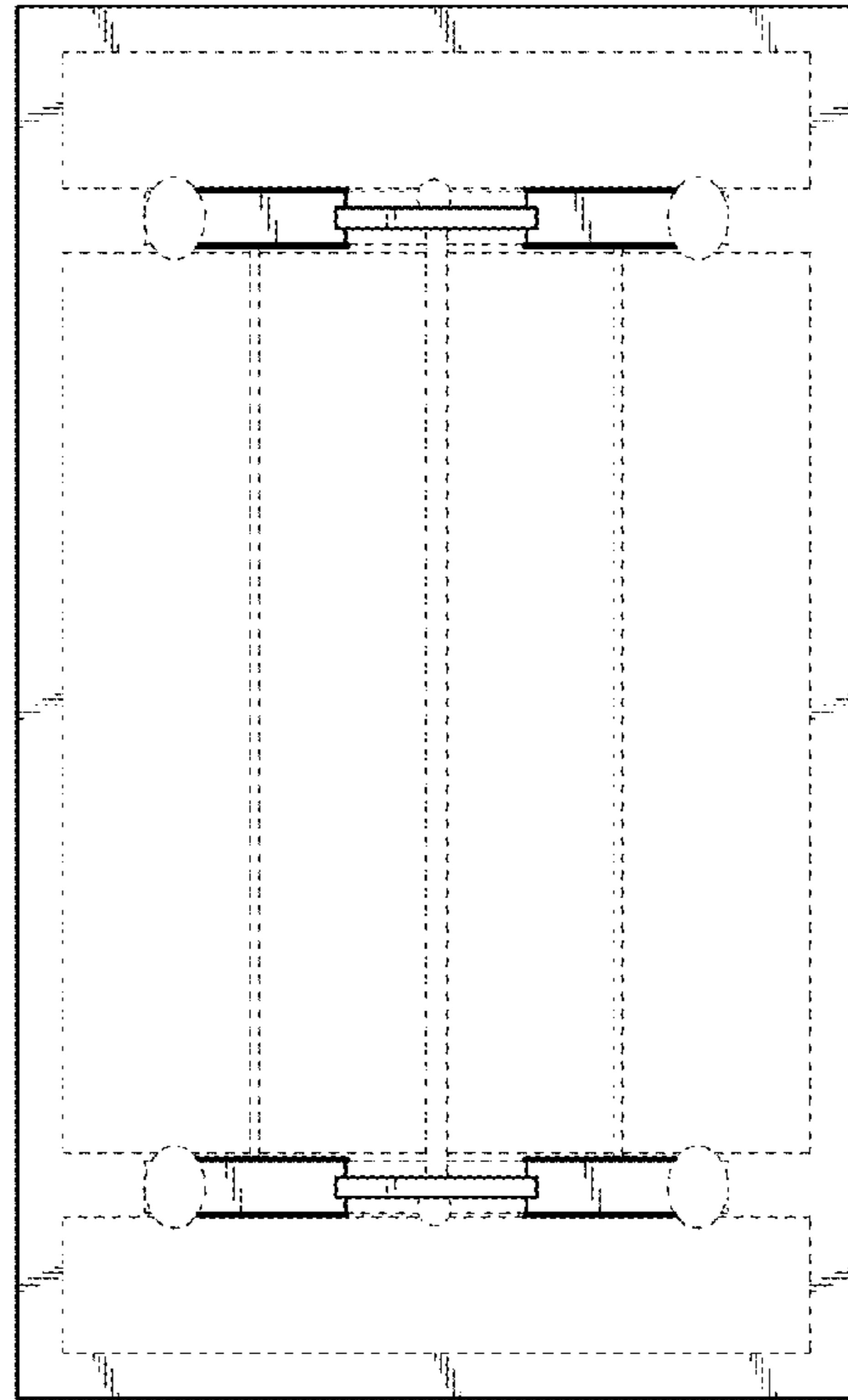


FIG. 5