

US00D724869S

(12) **United States Design Patent**  
**Trinh et al.**

(10) **Patent No.:** **US D724,869 S**  
(45) **Date of Patent:** **\*\* Mar. 24, 2015**

- (54) **DISPLAY FIXTURE**
- (71) Applicant: **Target Brands, Inc.**, Minneapolis, MN (US)
- (72) Inventors: **Nick Q. Trinh**, Minneapolis, MN (US); **Enzo Vardaro**, Montreal (CA)
- (73) Assignee: **Target Brands, Inc.**, Minneapolis, MN (US)
- (\*\*) Term: **14 Years**
- (21) Appl. No.: **29/445,180**
- (22) Filed: **Feb. 8, 2013**
- (51) **LOC (10) Cl.** ..... **06-04**
- (52) **U.S. Cl.**  
USPC ..... **D6/672**
- (58) **Field of Classification Search**  
USPC ..... D6/675.2, 674, 707, 675.4, 675.1, 660, D6/672, 678.1, 673, 682; 211/180, 187, 211/119.003, 193, 59.2, 186; 108/108, 179  
See application file for complete search history.

6,015,124	A	1/2000	Loy	
6,105,796	A	8/2000	Buchanan et al.	
6,119,875	A	9/2000	Smith	
D463,181	S *	9/2002	Patik	D6/511
6,470,611	B1	10/2002	Conway et al.	
6,675,978	B2	1/2004	Shea	
6,877,618	B2	4/2005	Mason	
6,880,708	B2 *	4/2005	Boron	211/59.2
6,942,110	B2	9/2005	Martins	
7,007,814	B2 *	3/2006	Ploix	211/187
D520,265	S	5/2006	Sparkowski	
D534,376	S *	1/2007	Sparkowski	D6/468
D537,274	S	2/2007	Pirro et al.	
7,387,213	B1	6/2008	Smalley	
7,438,186	B2	10/2008	Markson et al.	
D591,531	S	5/2009	Sparkowski	
7,988,244	B2	8/2011	Haws, Jr.	
D654,727	S	2/2012	Shea	
2004/0211741	A1	10/2004	Bustos et al.	

(Continued)

*Primary Examiner* — Susan E Krakower  
(74) *Attorney, Agent, or Firm* — Leanne Taveggia Farrell; Westman, Champlin & Koehler, P.A.

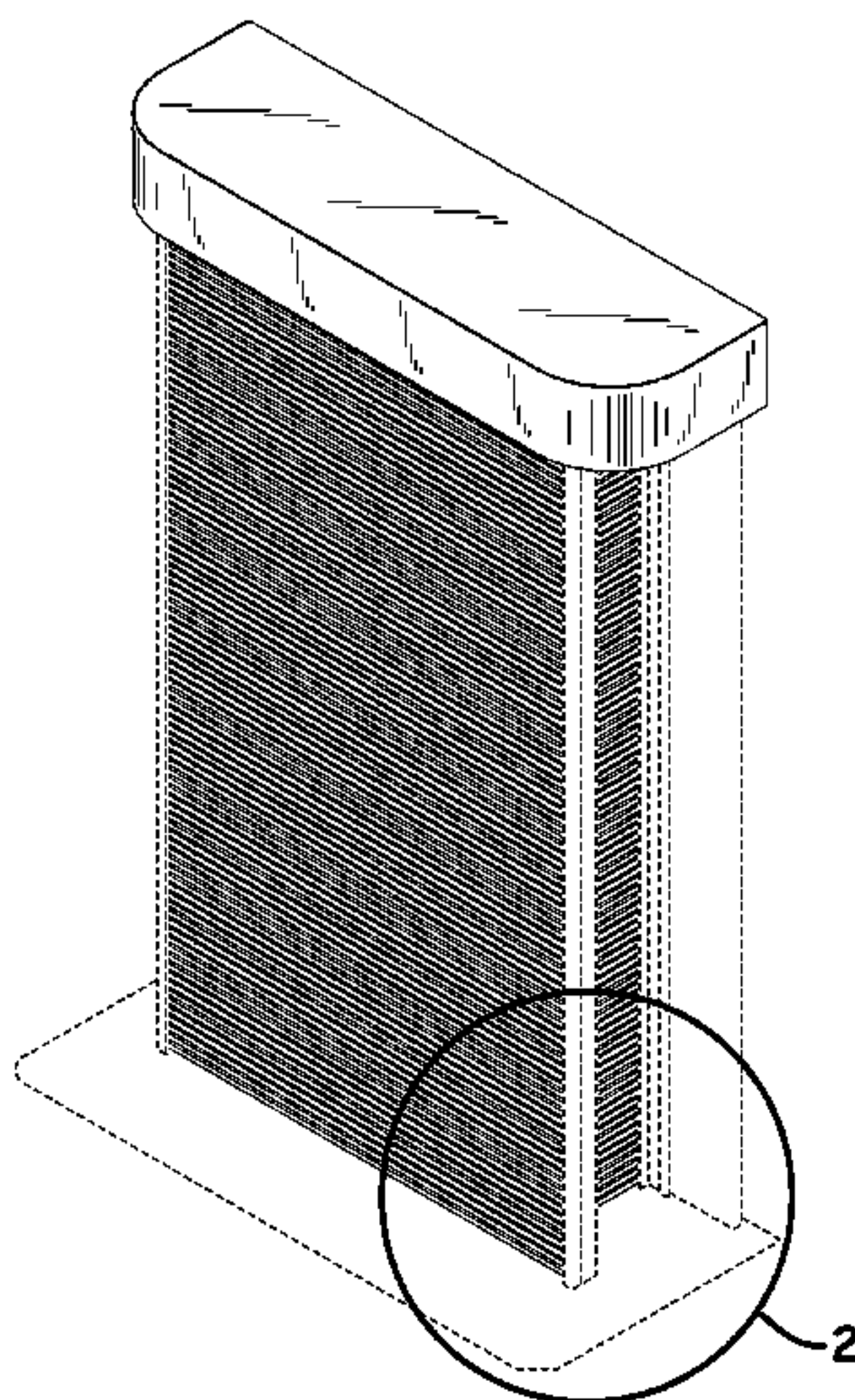
(57) **CLAIM**  
The ornamental design for a display fixture, as shown and described.

- (56) **References Cited**  
U.S. PATENT DOCUMENTS
- 4,526,110 A \* 7/1985 Franz ..... 108/108
- 4,676,395 A 6/1987 Croé
- D293,865 S \* 1/1988 Robertson ..... D6/478
- D294,090 S \* 2/1988 Robertson ..... D6/478
- D299,392 S \* 1/1989 Hunt ..... D6/479
- 4,798,013 A 1/1989 Sainato
- 4,951,827 A 8/1990 Moransais
- D336,803 S \* 6/1993 Stoddard et al. .... D6/476
- 5,291,396 A 3/1994 Calcerano et al.
- D351,076 S 10/1994 Eliadis et al.
- D363,623 S \* 10/1995 Rushing ..... D6/479
- D373,913 S \* 9/1996 Wyatt et al. .... D6/465
- 5,564,579 A 10/1996 Pynenburg et al.
- 5,573,124 A 11/1996 Frost
- 5,593,048 A 1/1997 Johnson
- D400,738 S \* 11/1998 Bustos et al. .... D6/476
- 5,947,307 A \* 9/1999 Battaglia et al. .... 211/187

**DESCRIPTION**

FIG. 1 is a top perspective view of a display fixture showing our new design;  
FIG. 2 is a partial enlarged view of FIG. 1;  
FIG. 3 is a front view thereof;  
FIG. 4 is a right side view thereof;  
FIG. 5 is a left side view thereof; and,  
FIG. 6 is a top view thereof.  
The broken lines shown in the drawings are included for purposes of illustrating portions of the display fixture or for purposes of illustrating environment and form no part of the claimed design. The vertical lines representing a structure that is visible beyond the horizontal elements form no part of the claimed design.

**1 Claim, 4 Drawing Sheets**



(56)

**References Cited**

U.S. PATENT DOCUMENTS

2006/0011565 A1 1/2006 Pirro et al.  
2009/0076650 A1 3/2009 Faes

2011/0192812 A1 8/2011 Weigand et al.  
2011/0315645 A1 12/2011 Fadrowski  
2012/0193311 A1 8/2012 Benasillo

\* cited by examiner



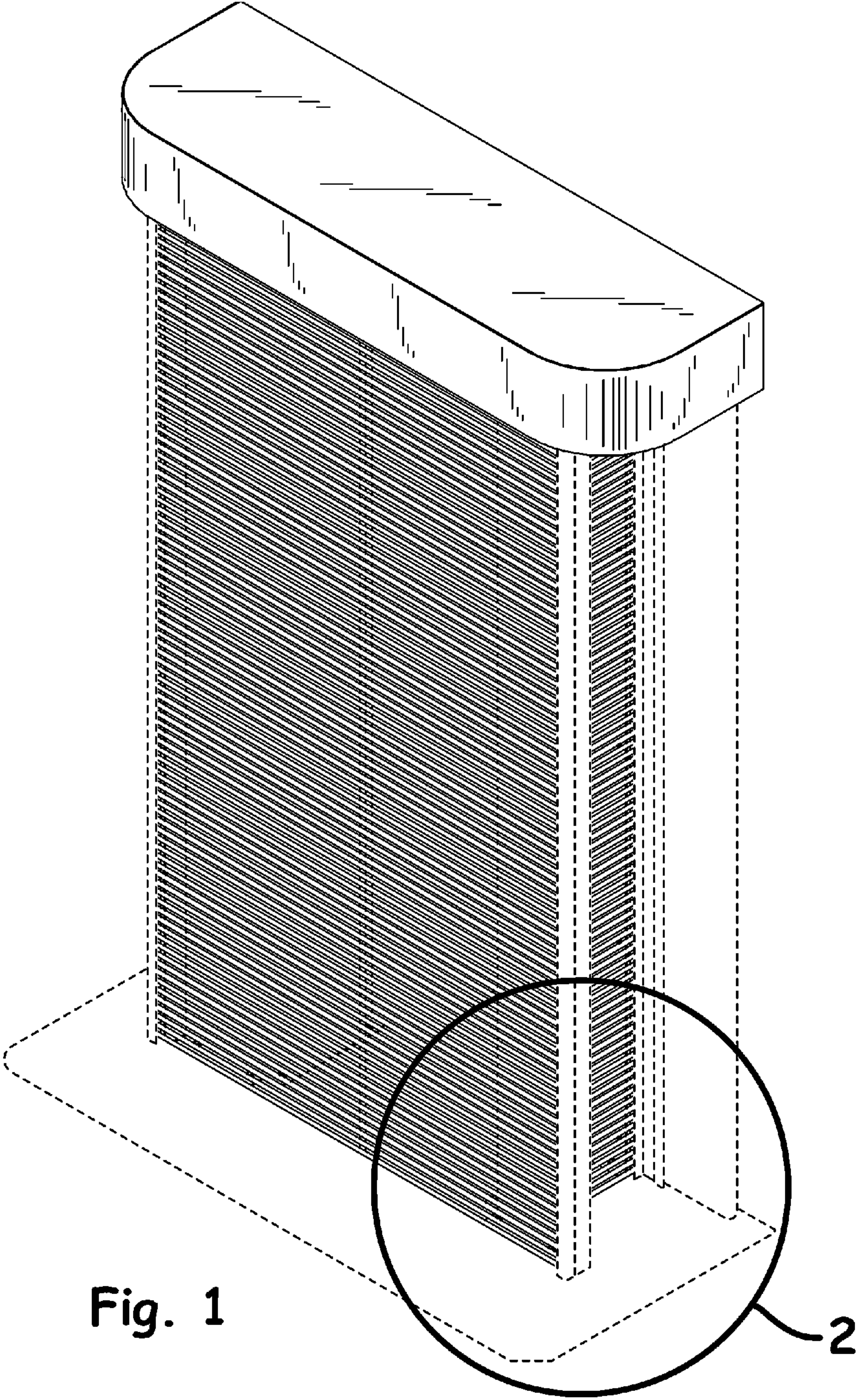


Fig. 1

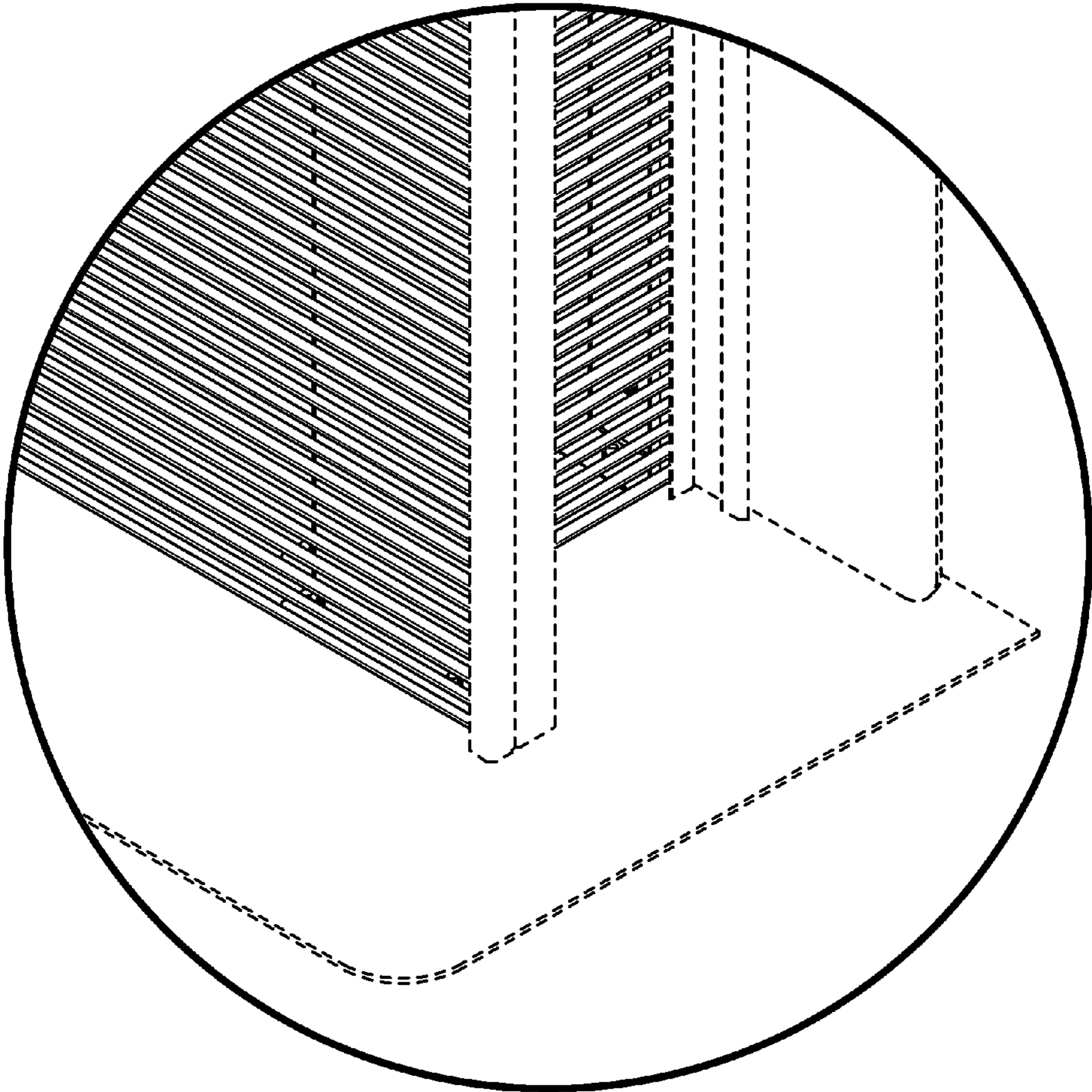


Fig. 2



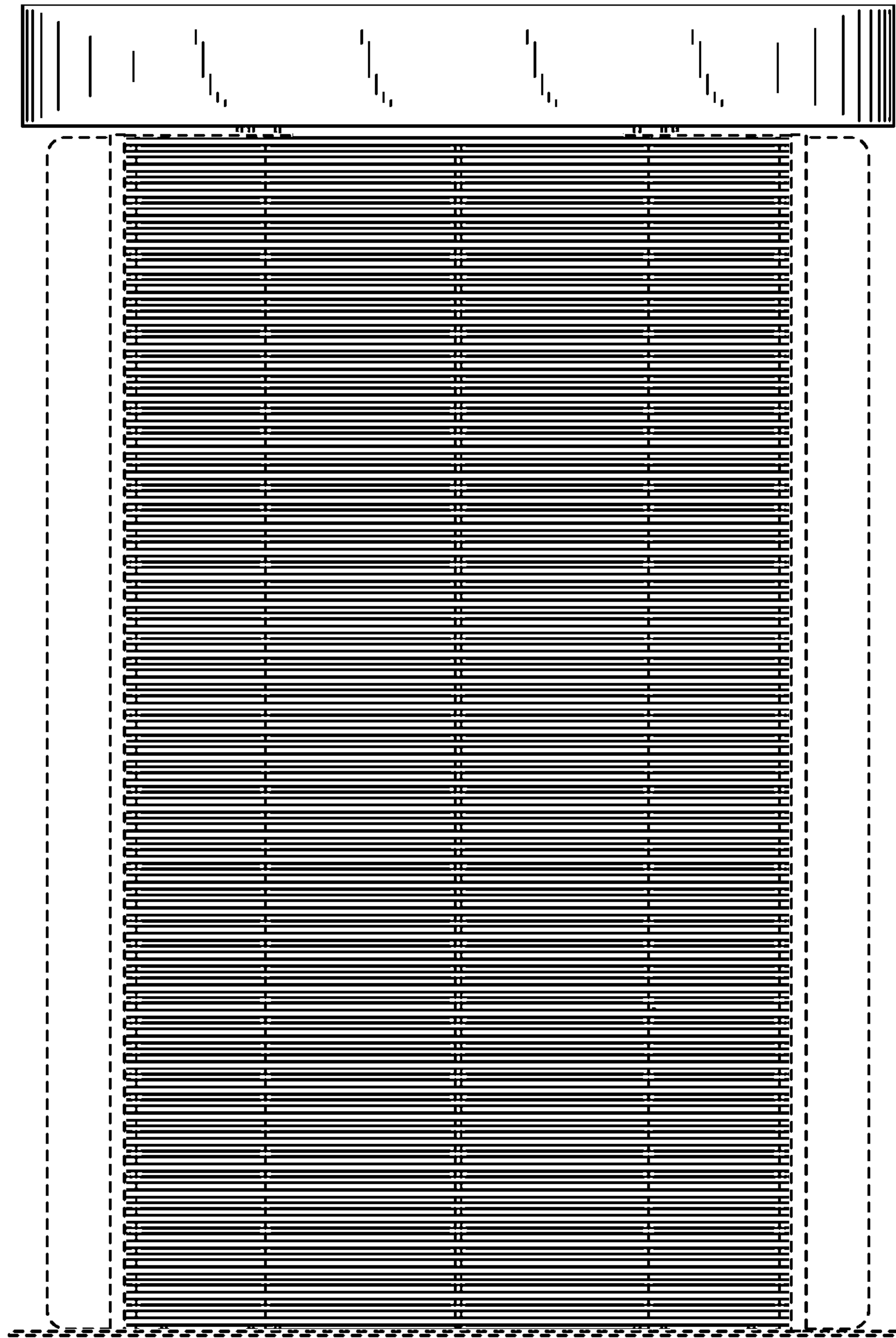


Fig. 3

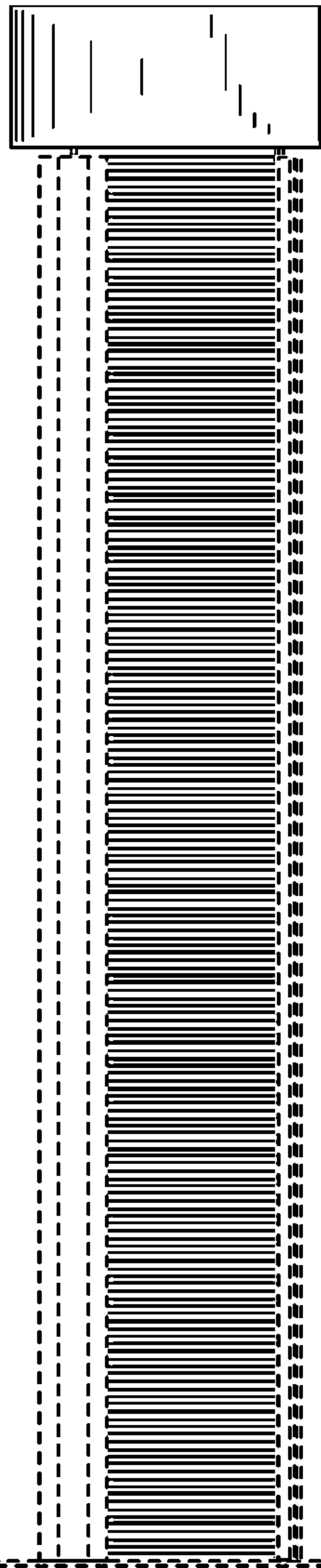


Fig. 4

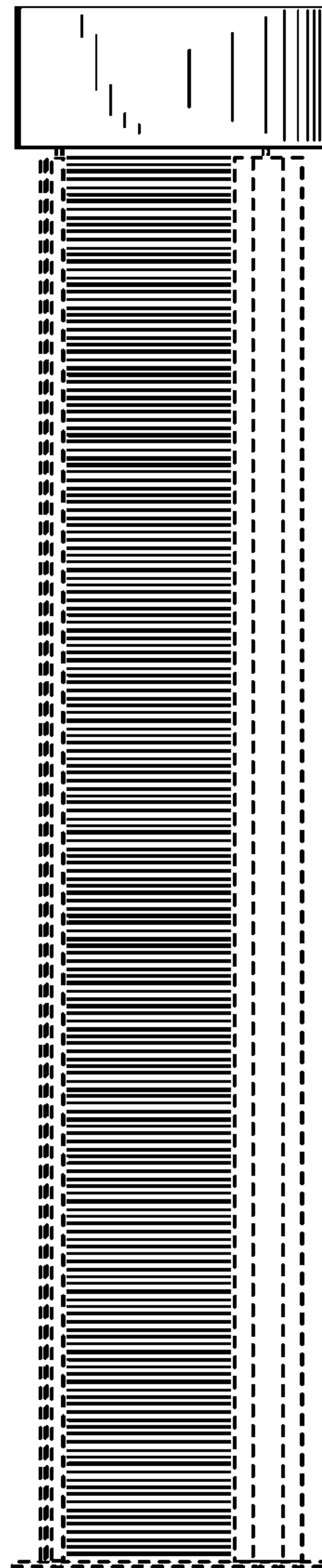


Fig. 5

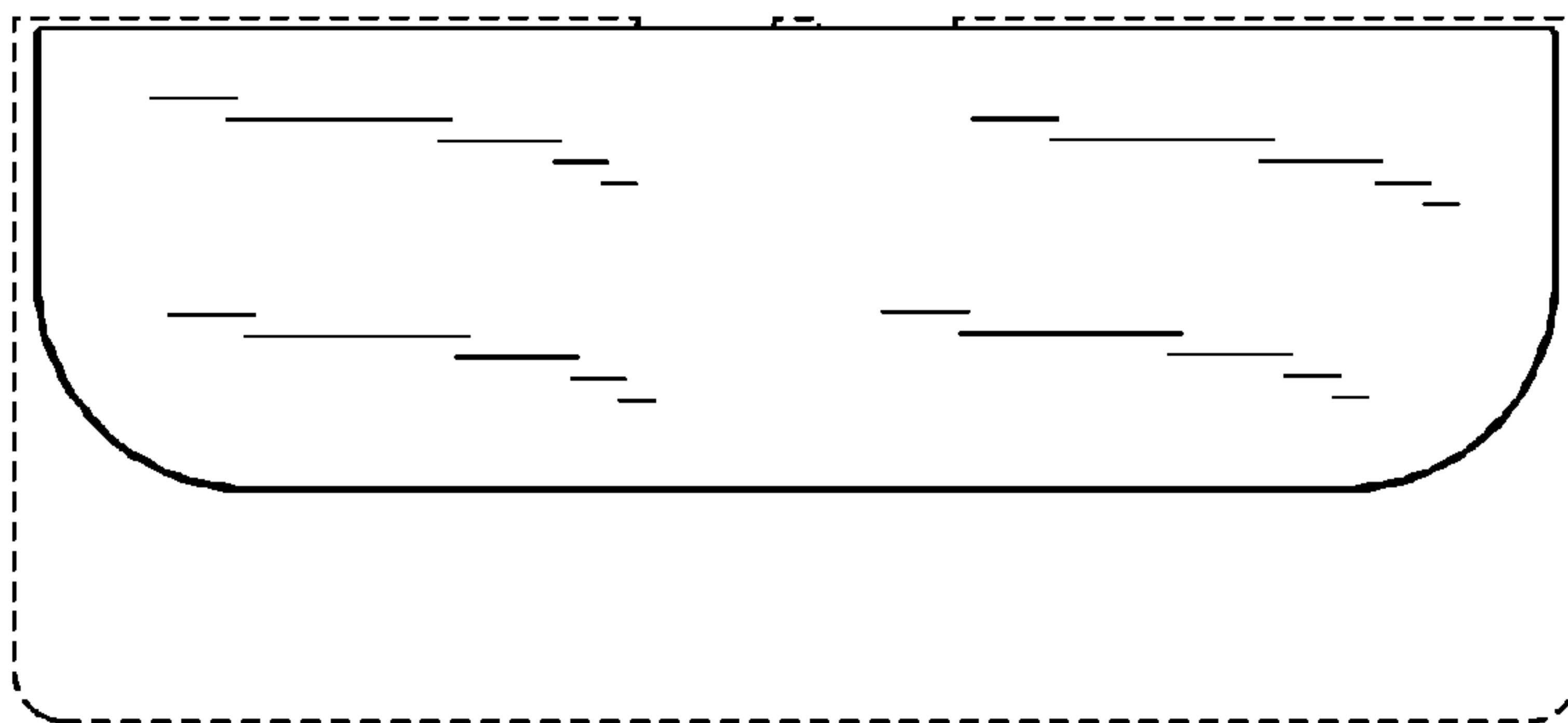


Fig. 6