



US00D724862S

(12) **United States Design Patent**  
**Ferguson**

(10) **Patent No.:** **US D724,862 S**  
(45) **Date of Patent:** **\*\* Mar. 24, 2015**

(54) **ATTACHED BED SHEET SET**

(71) Applicant: **Marlene Ferguson**, Bronx, NY (US)

(72) Inventor: **Marlene Ferguson**, Bronx, NY (US)

(\*\*) Term: **14 Years**

(21) Appl. No.: **29/442,482**

(22) Filed: **Mar. 13, 2013**

(51) **LOC (10) Cl.** ..... **06-09**

(52) **U.S. Cl.**  
USPC ..... **D6/602**

(58) **Field of Classification Search**  
USPC ..... D6/595, 596, 602, 603, 605; 5/482,  
5/494-497, 499, 501  
See application file for complete search history.

(56) **References Cited**

**U.S. PATENT DOCUMENTS**

4,266,308 A \* 5/1981 Shatz ..... 5/494  
D623,884 S \* 9/2010 Reilly et al. .... D6/603

D698,587 S \* 2/2014 Caines ..... D6/602  
8,689,373 B2 \* 4/2014 Caines ..... 5/497  
2006/0168726 A1 \* 8/2006 Cushing ..... 5/497

\* cited by examiner

*Primary Examiner* — Janice Seeger

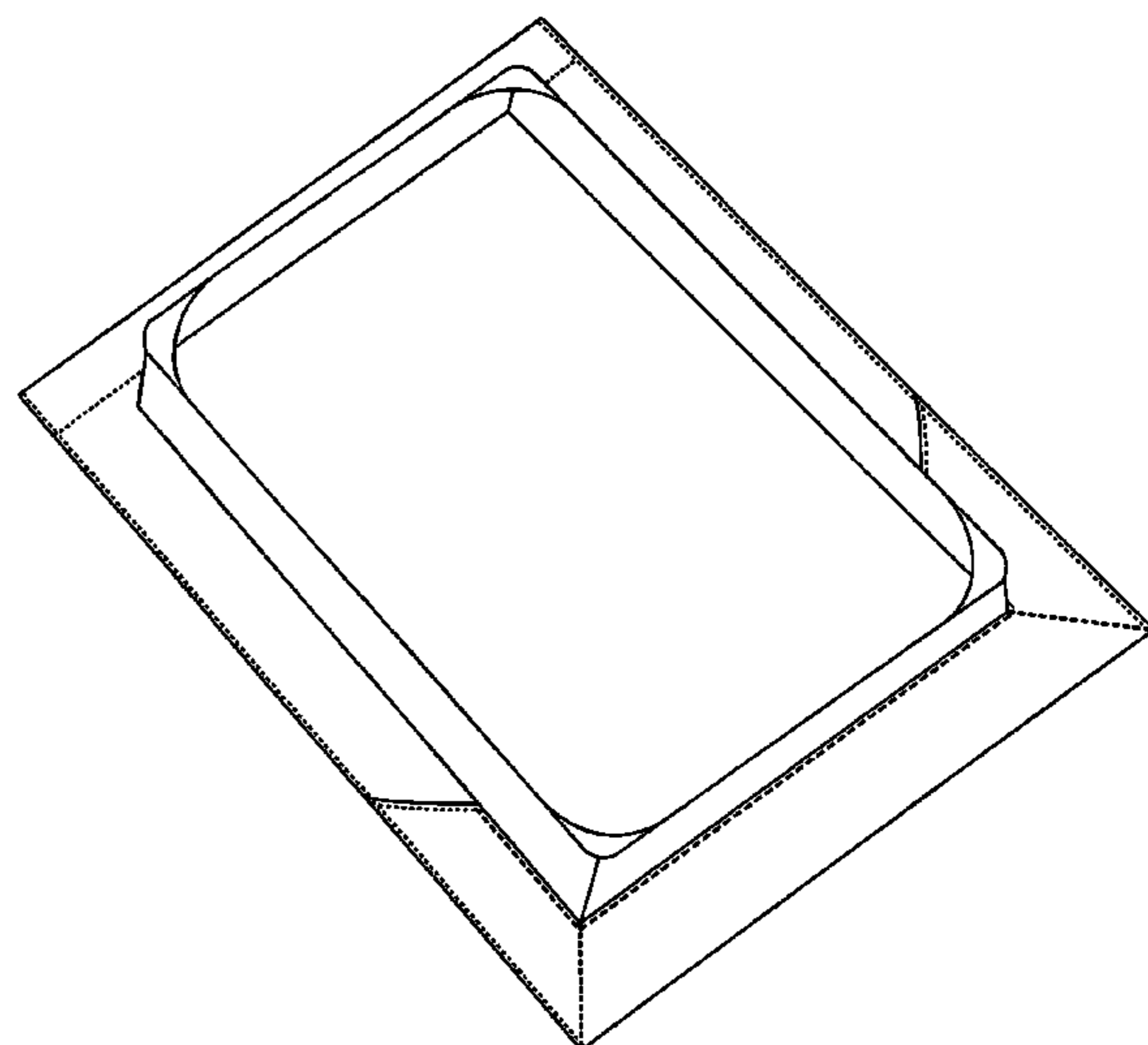
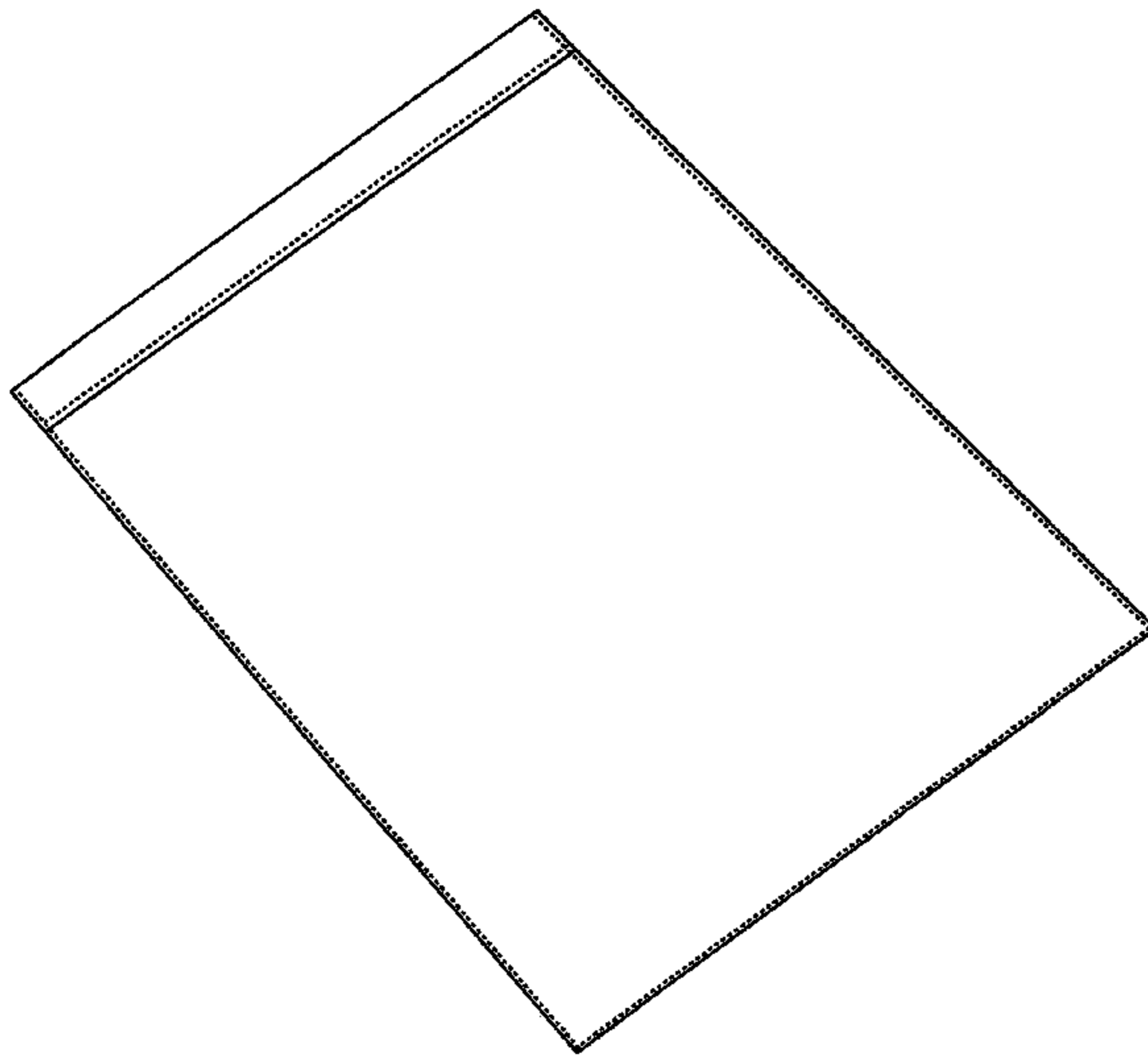
(57) **CLAIM**

The ornamental design for an attached bed sheet set, as shown and described.

**DESCRIPTION**

FIG. 1 is a top perspective view of an attached bed sheet set, showing my new design;  
FIG. 2 is a right side perspective view showing the design in use on a bed;  
FIG. 3 is a left side perspective view showing the design in use on a bed; and,  
FIG. 4 is a bottom perspective view.  
The broken lines are for environmental purposes only and form no part of the claimed design.

**1 Claim, 4 Drawing Sheets**



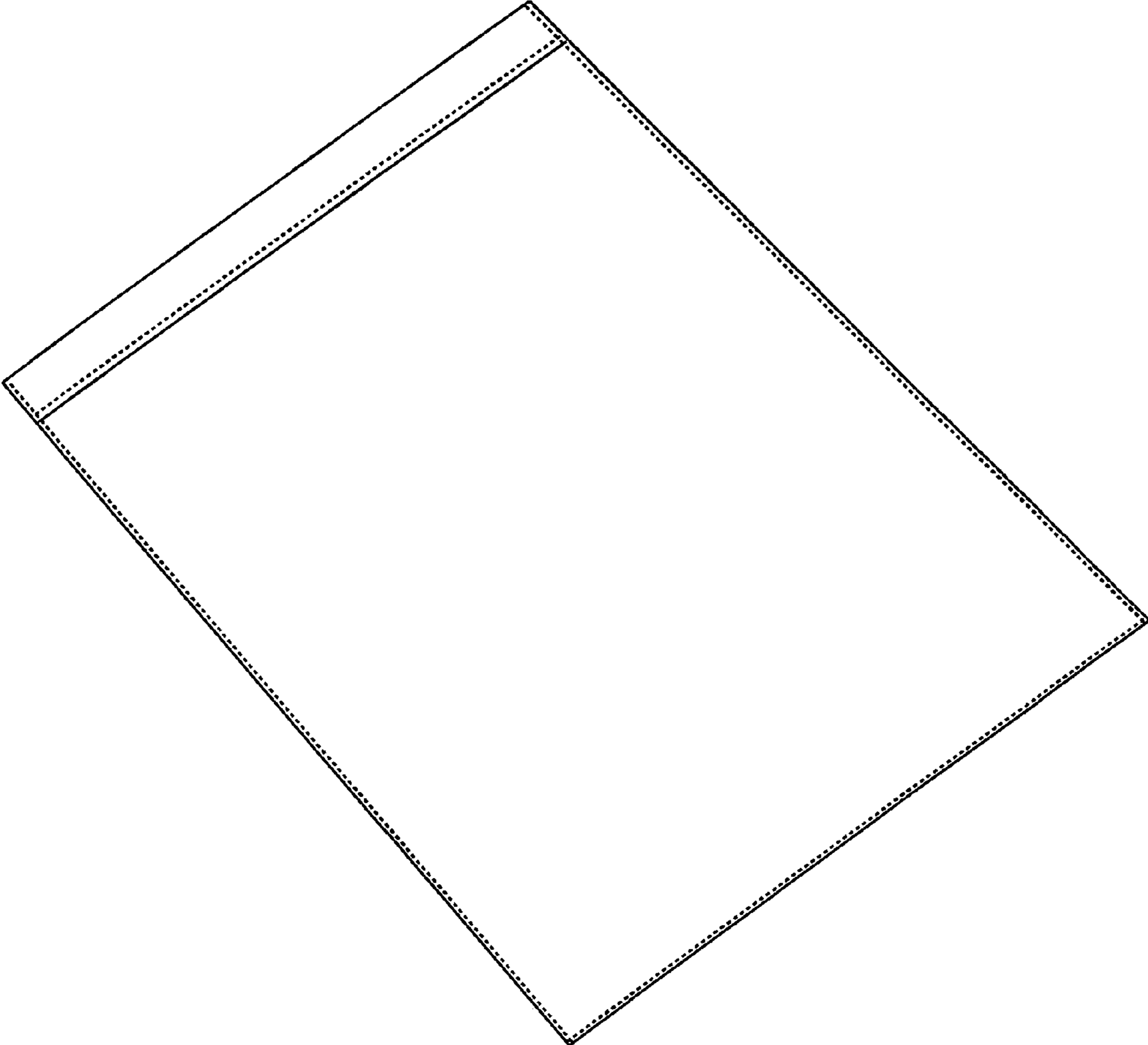


FIG. 1

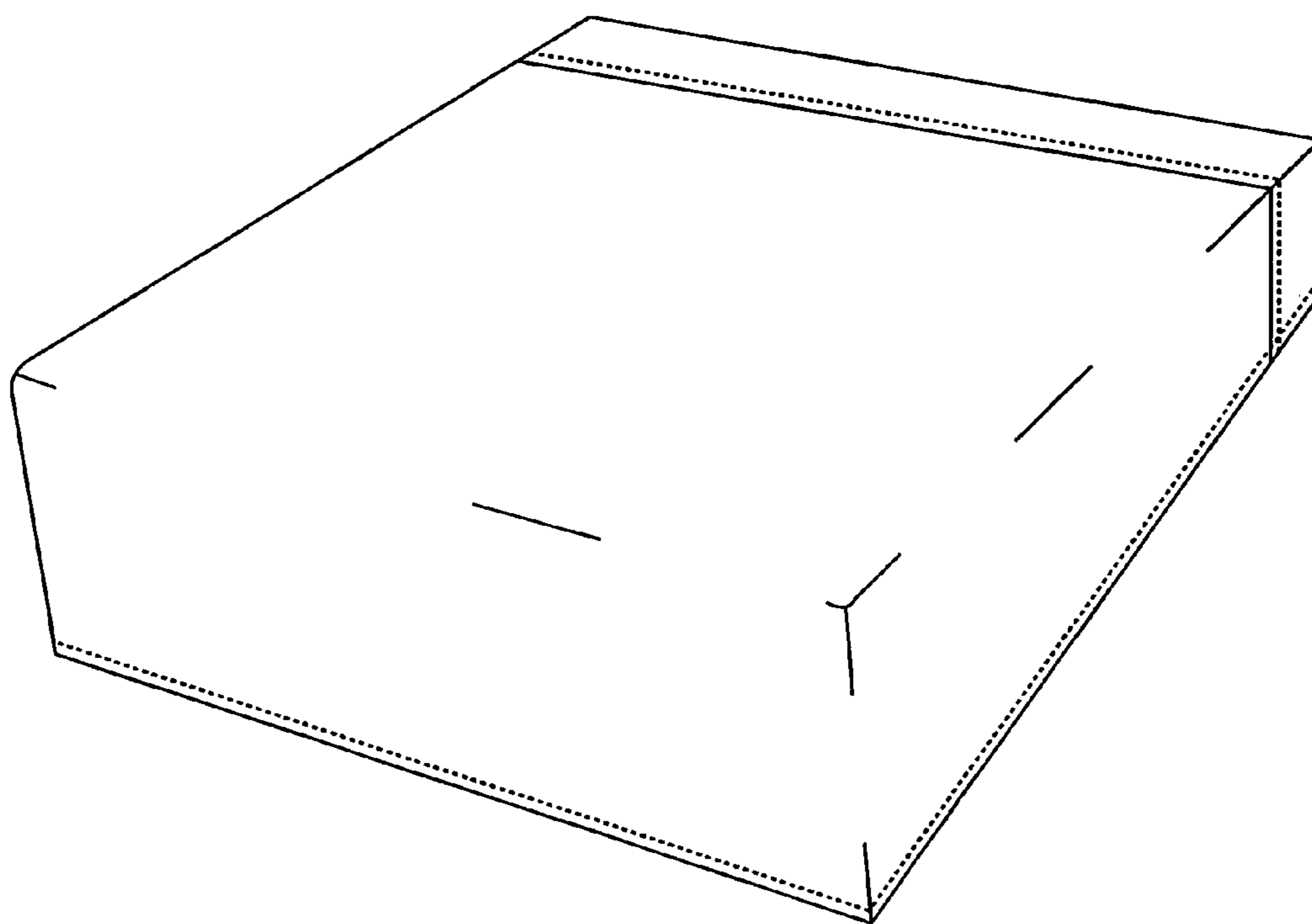


FIG. 2

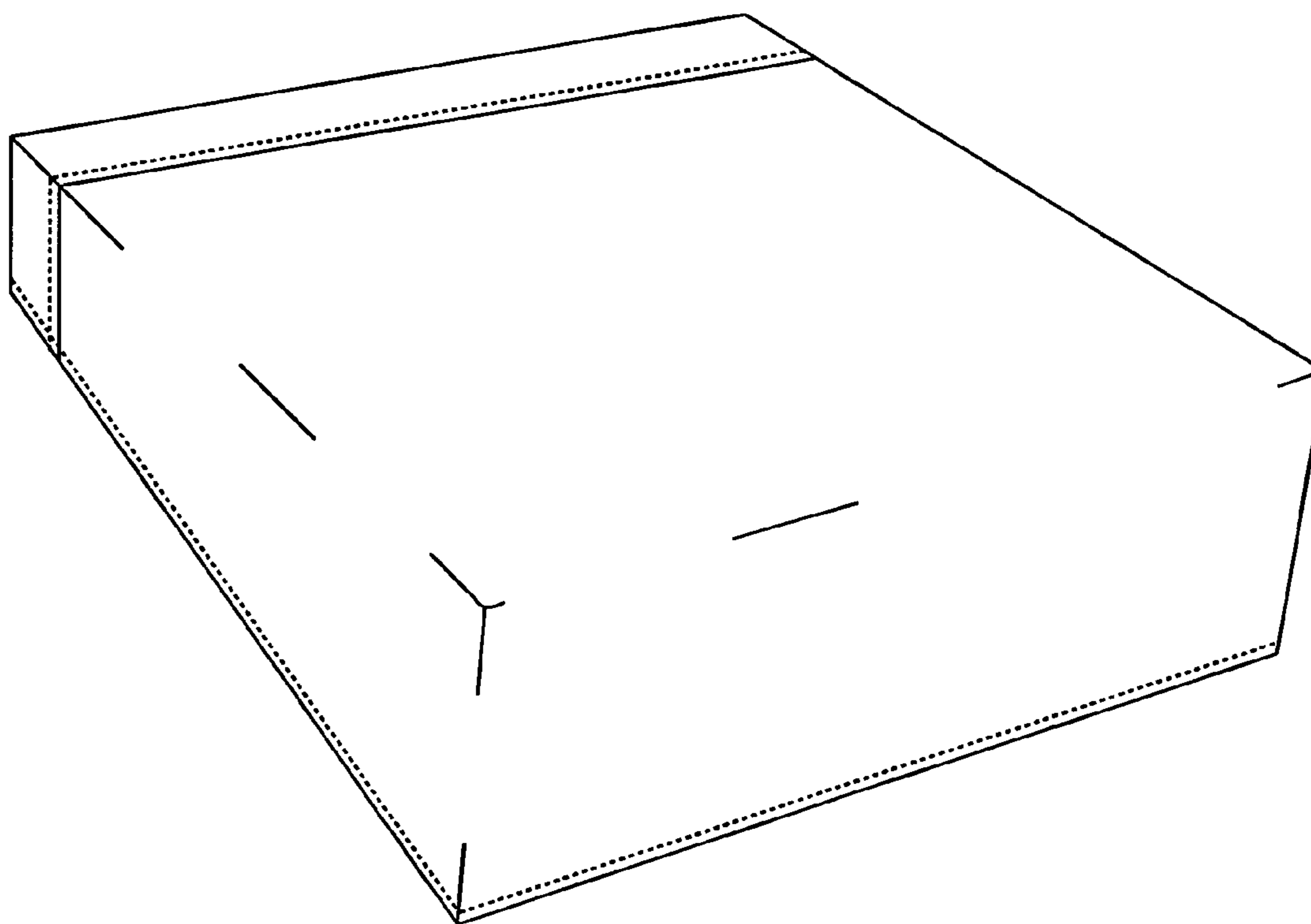


FIG. 3

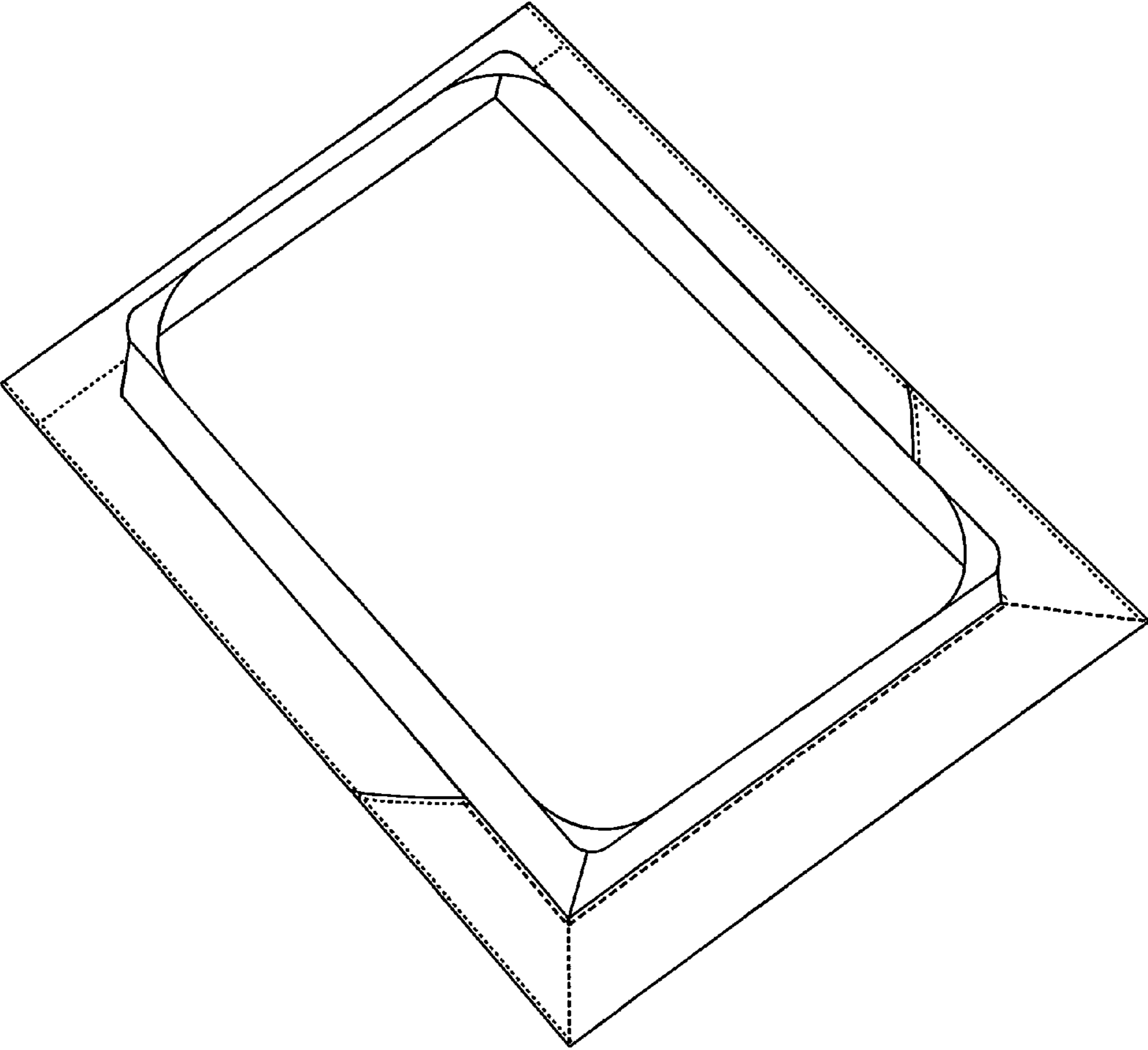


FIG. 4