



US00D724861S

(12) **United States Design Patent**  
**Gottschalk**

(10) **Patent No.:** **US D724,861 S**  
(45) **Date of Patent:** **\*\* Mar. 24, 2015**

(54) **SOAP DISPENSER**

(56) **References Cited**

- (71) Applicant: **Eric Gottschalk**, Bruchkoebel (DE)
- (72) Inventor: **Eric Gottschalk**, Bruchkoebel (DE)
- (73) Assignee: **Ille Papier-Service GmbH**, Altenstadt (DE)
- (\*\*) Term: **14 Years**
- (21) Appl. No.: **29/492,933**
- (22) Filed: **Jun. 4, 2014**

U.S. PATENT DOCUMENTS

D569,151 S	*	5/2008	Cittadino et al. ....	D6/545
D579,250 S	*	10/2008	Cittadino et al. ....	D6/545
D620,292 S	*	7/2010	Kim .....	D6/545
D628,421 S	*	12/2010	Ophardt et al. ....	D6/545
D655,962 S	*	3/2012	Cittadino .....	D6/545
D668,899 S	*	10/2012	Buell et al. ....	D6/545

\* cited by examiner

*Primary Examiner* — Brian N Vinson  
(74) *Attorney, Agent, or Firm* — Ladas & Parry LLP

(57) **CLAIM**

The ornamental design for a soap dispenser, as shown and described.

**DESCRIPTION**

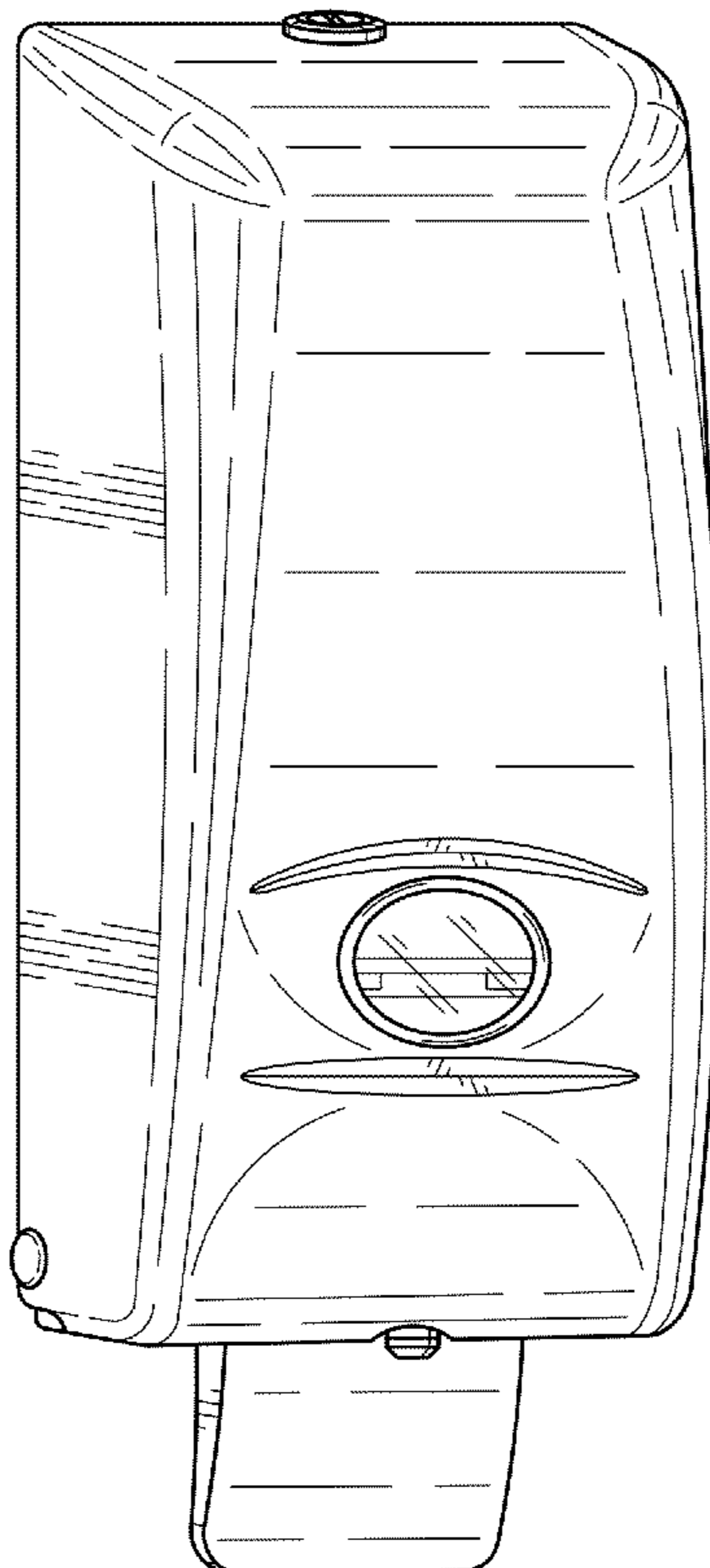
FIG. 1 is a front perspective view of my new design;  
 FIG. 2 is a left side elevational view thereof;  
 FIG. 3 is a front elevational view thereof;  
 FIG. 4 is a right side elevational view thereof;  
 FIG. 5 is a rear elevational view thereof;  
 FIG. 6 is a top plan view thereof; and,  
 FIG. 7 is a rear plan view thereof.

The portions of the design within the boundary depicted in broken lines in FIG. 5 form no part of the claimed design.  
 The broken line shown in FIG. 7 forms no part of the claimed design.

**Related U.S. Application Data**

- (62) Division of application No. 29/448,336, filed on Mar. 12, 2013, now Pat. No. Des. 709,300.
- (51) **LOC (10) Cl.** ..... **23-02**
- (52) **U.S. Cl.**  
USPC ..... **D6/545**
- (58) **Field of Classification Search**  
USPC ..... D6/542-545; 221/208, 282, 283;  
222/105, 173, 180, 181.1, 181.2, 181.3  
See application file for complete search history.

**1 Claim, 4 Drawing Sheets**



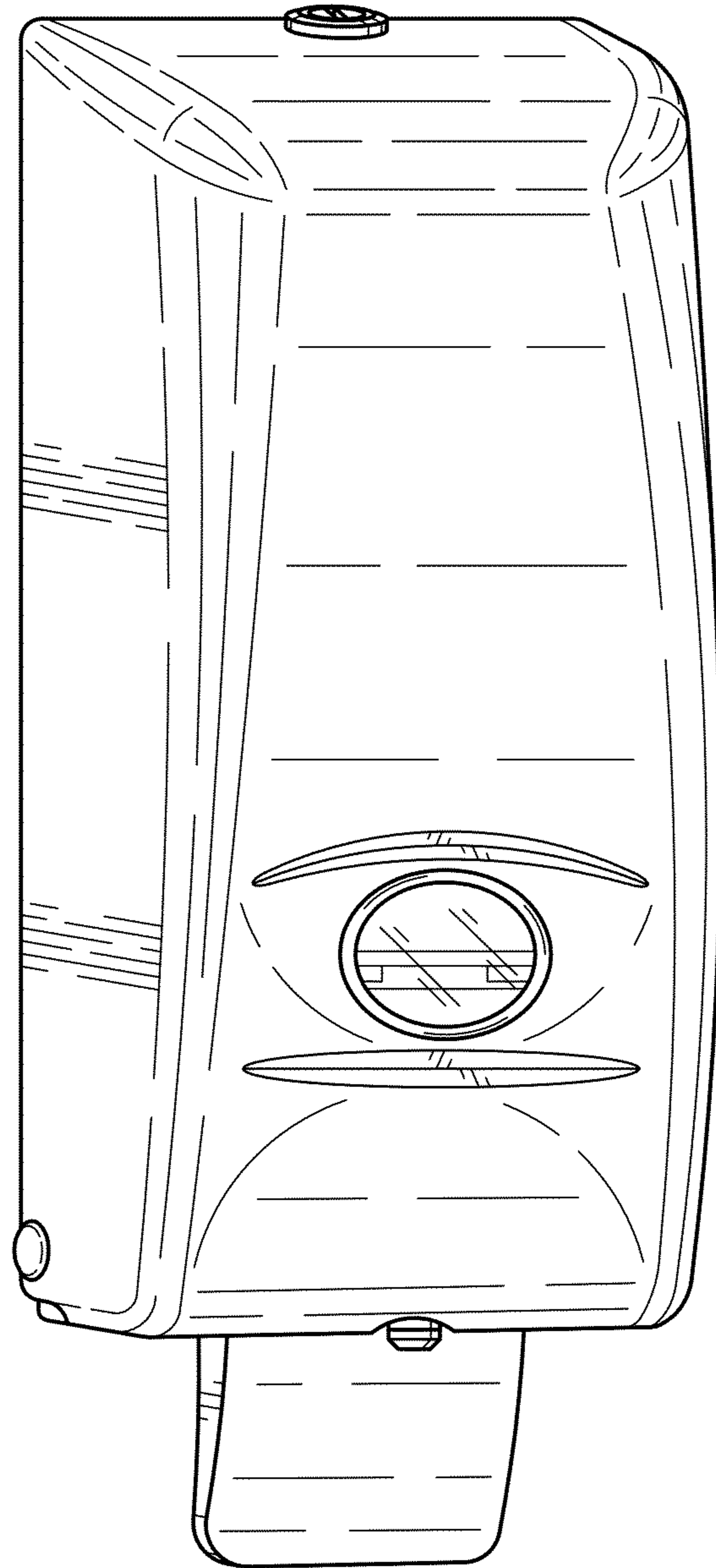


FIG. 1

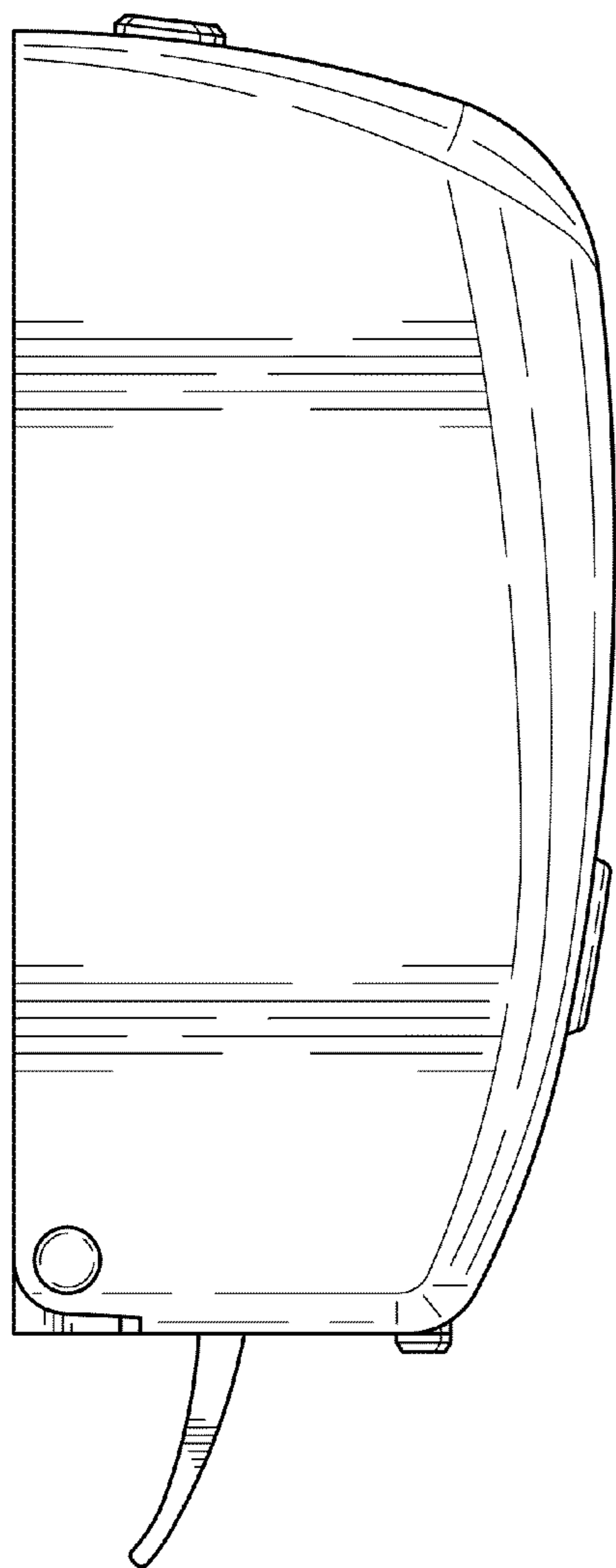


FIG. 2

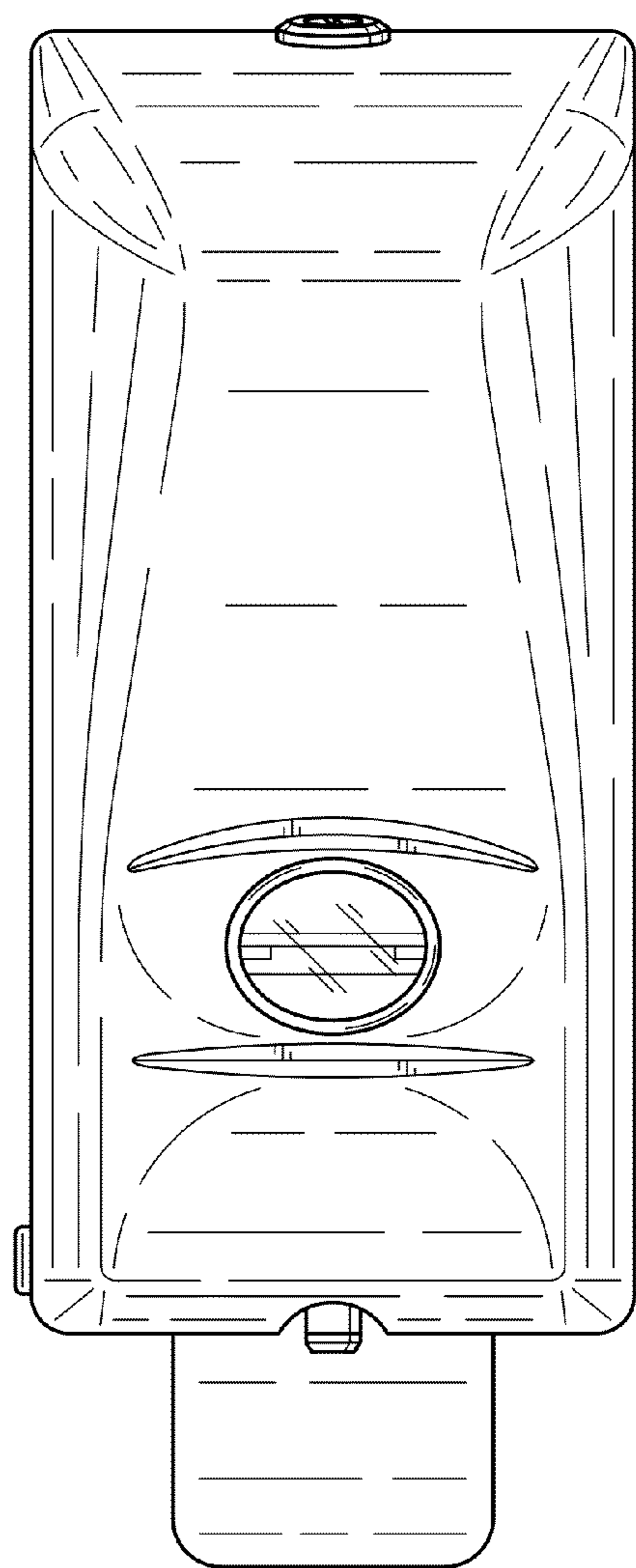


FIG. 3

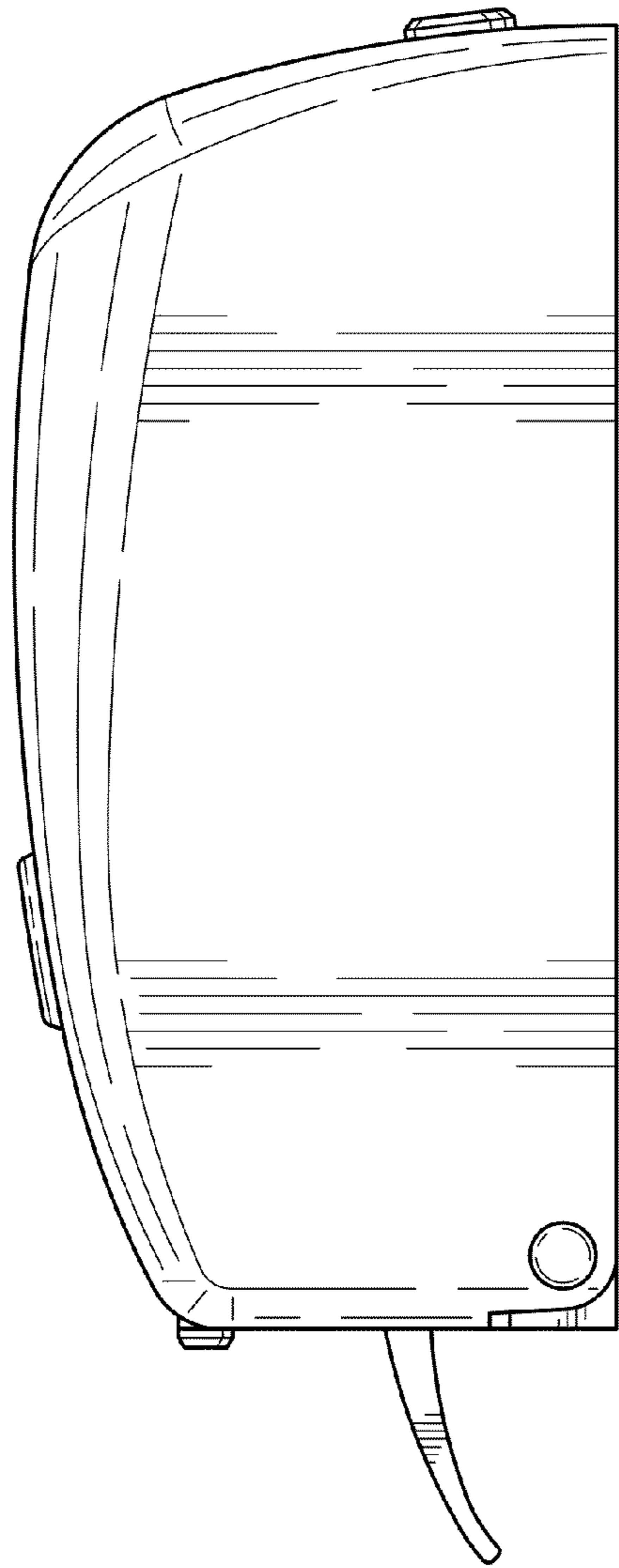


FIG. 4

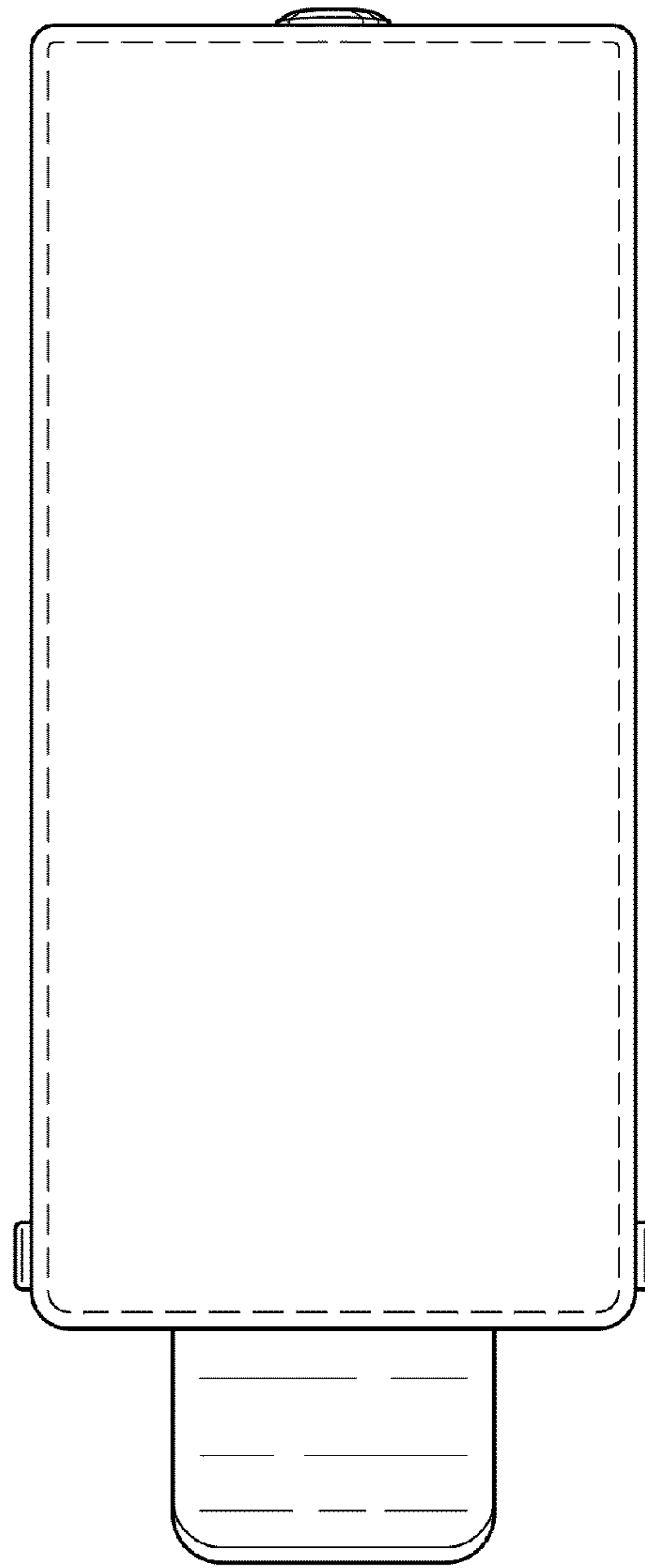


FIG. 5

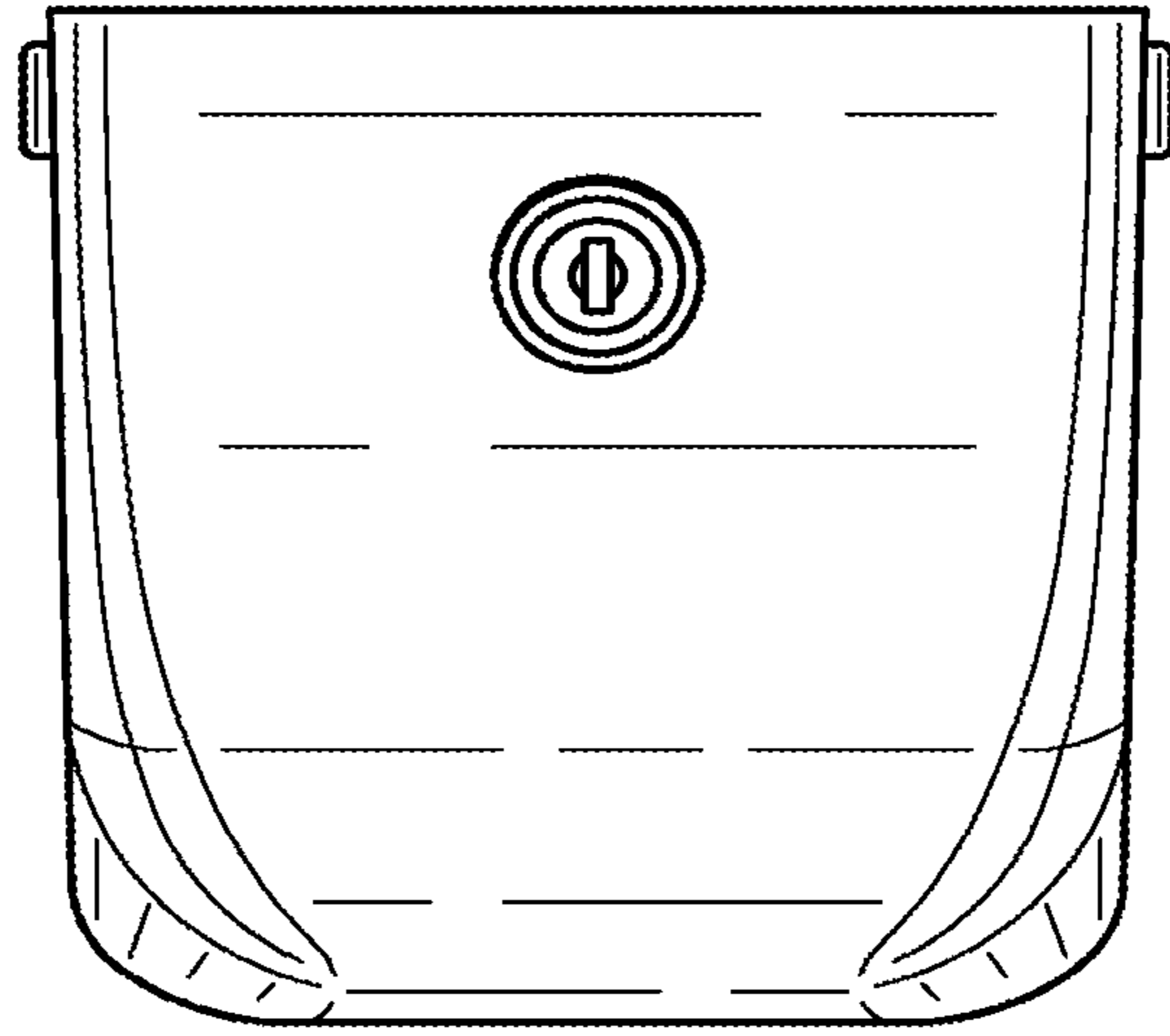


FIG. 6

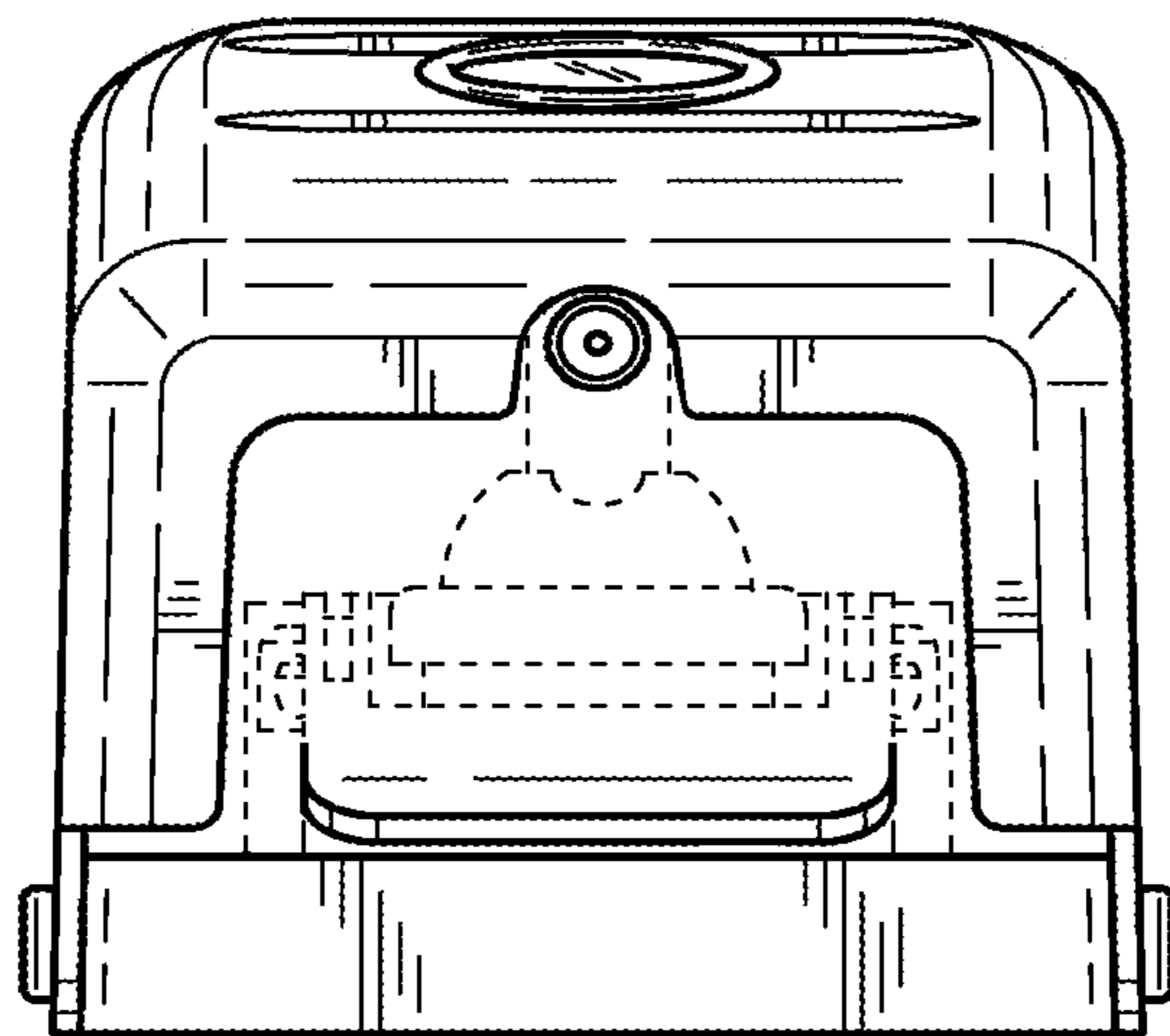


FIG. 7