



US00D724860S

(12) **United States Design Patent**
Tsai

(10) **Patent No.:** **US D724,860 S**
(45) **Date of Patent:** **** Mar. 24, 2015**

(54) **OVER-THE-DOOR HOOK RACK**

(71) Applicant: **Pretty Star Store LLC**, Rowland Heights, CA (US)

(72) Inventor: **Tsung-Yu Tsai**, Changhua (TW)

(73) Assignee: **Pretty Star Store LLC**, Rowland Heights, CA (US)

(**) Term: **14 Years**

(21) Appl. No.: **29/495,081**

(22) Filed: **Jun. 26, 2014**

(51) **LOC (10) Cl.** **06-06**

(52) **U.S. Cl.**
USPC **D6/514; D6/566**

(58) **Field of Classification Search**
USPC D6/512-514, 553, 566, 567, 569, 315, D6/320, 327; D8/349, 354, 367, 372; 248/301-304, 309.1, 309.2; 211/13.1, 211/30, 32, 70.6, 56.01, 87.01, 181.1; D25/38; D26/51

See application file for complete search history.

(56) **References Cited**

U.S. PATENT DOCUMENTS

D461,706 S *	8/2002	Goodman et al.	D6/566
D466,396 S *	12/2002	Snell	D8/372
D479,796 S *	9/2003	Snell	D8/372
D484,345 S *	12/2003	Clucas	D6/572
D555,366 S *	11/2007	Goodman et al.	D6/566
D616,232 S *	5/2010	Guindi	D6/514
D699,467 S *	2/2014	Tsai	D6/514

* cited by examiner

Primary Examiner — Brian N Vinson

(74) *Attorney, Agent, or Firm* — Muncy, Geissler, Olds & Lowe, P.C.

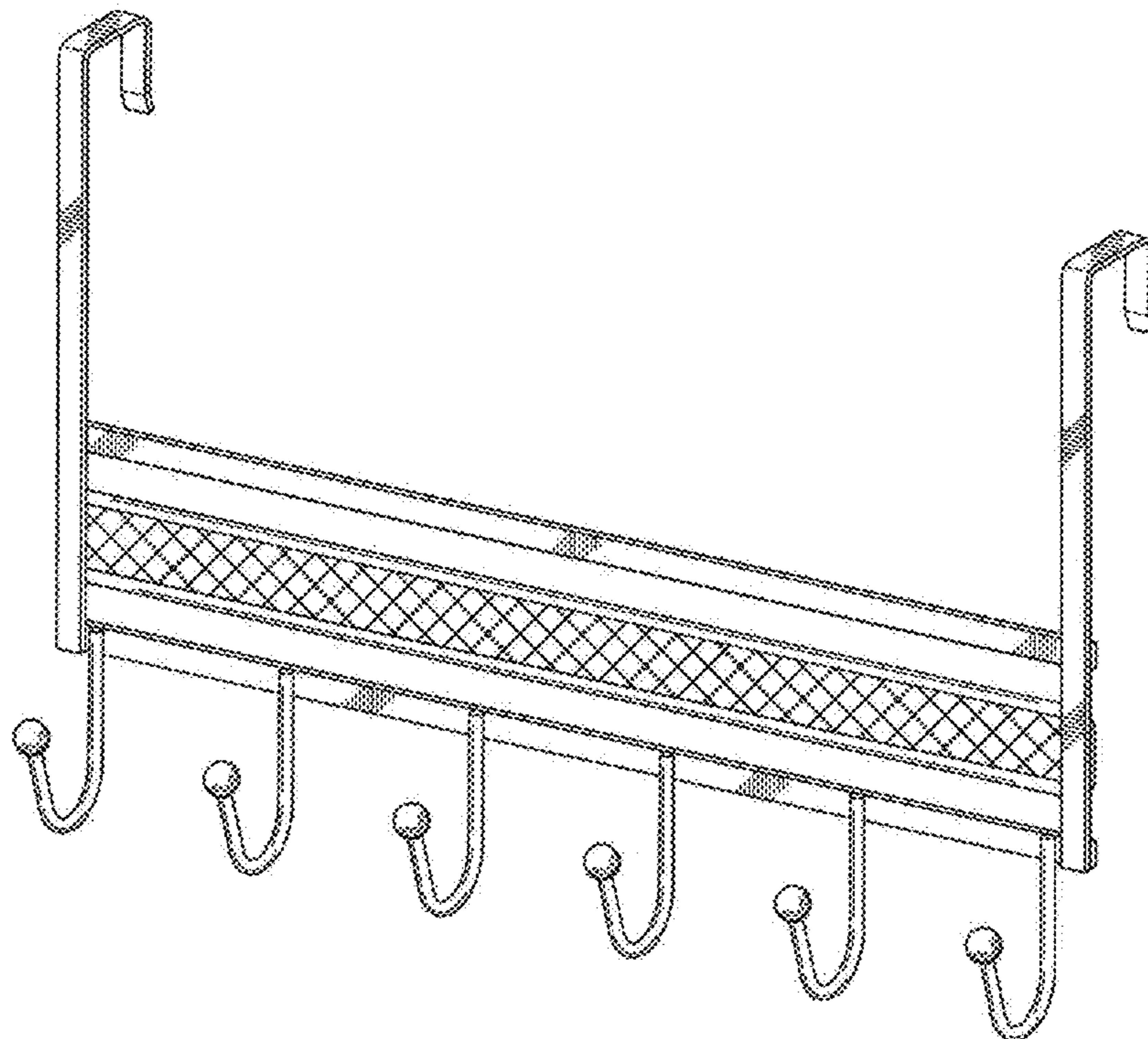
(57) **CLAIM**

The ornamental design for an over-the-door hook rack, as shown and described.

DESCRIPTION

FIG. 1 is a perspective view of the present design.
FIG. 2 is a front view of the present design.
FIG. 3 is a rear view of the present design.
FIG. 4 is a left side view of the present design, the right view of the present design being a mirror image thereof.
FIG. 5 is a top view of the present design; and,
FIG. 6 is a bottom view of the present design.

1 Claim, 6 Drawing Sheets



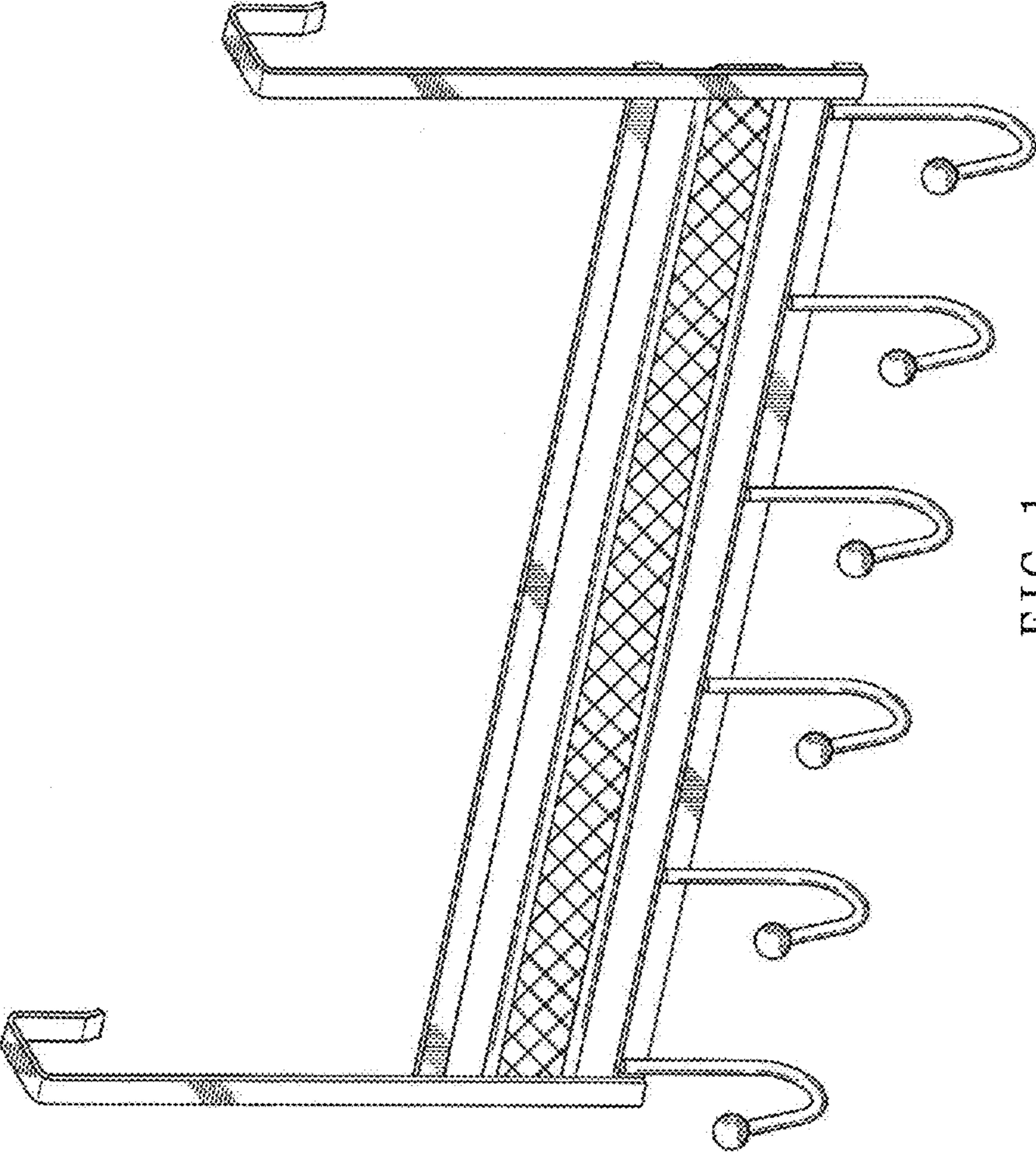


FIG. 1

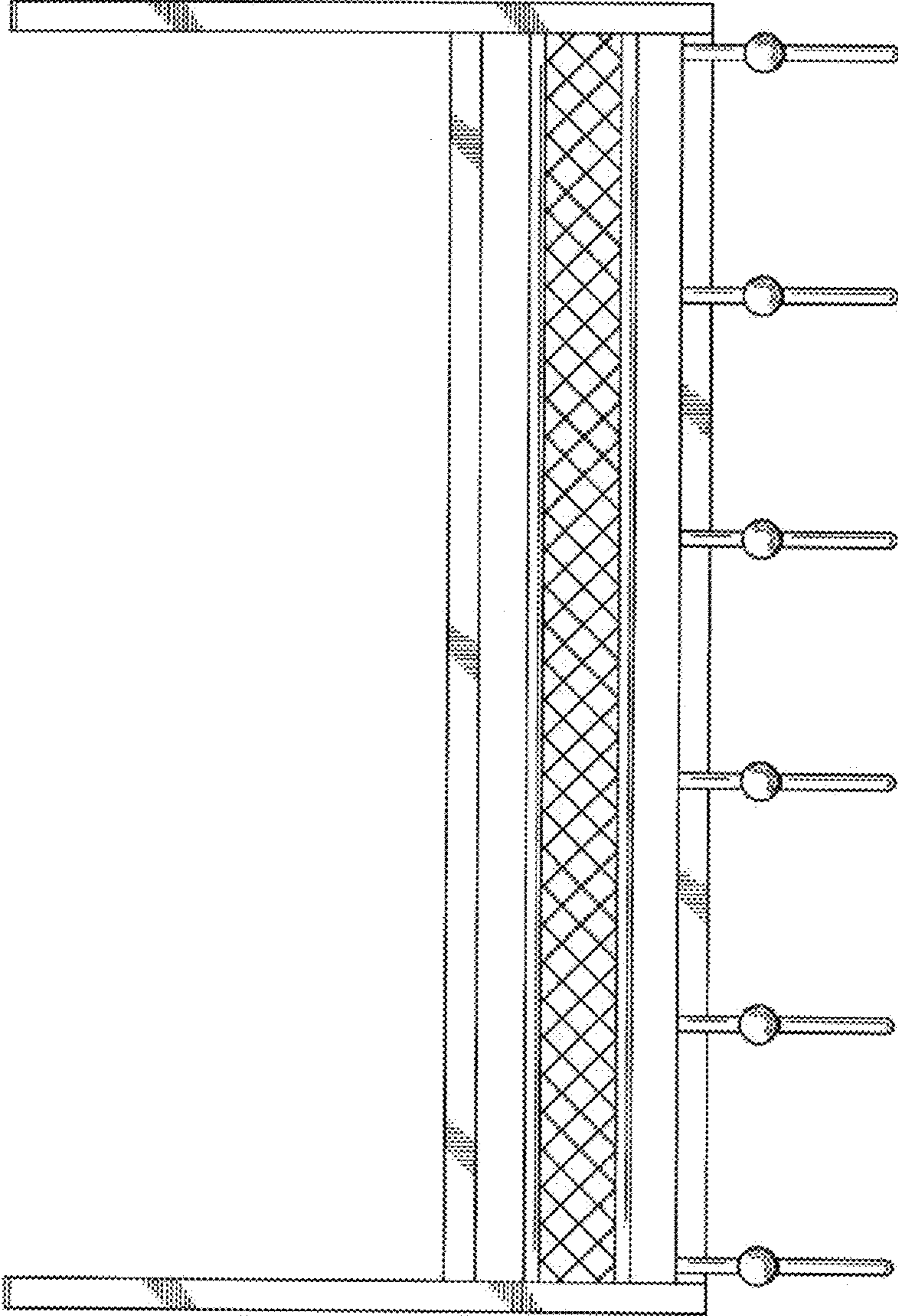


FIG. 2

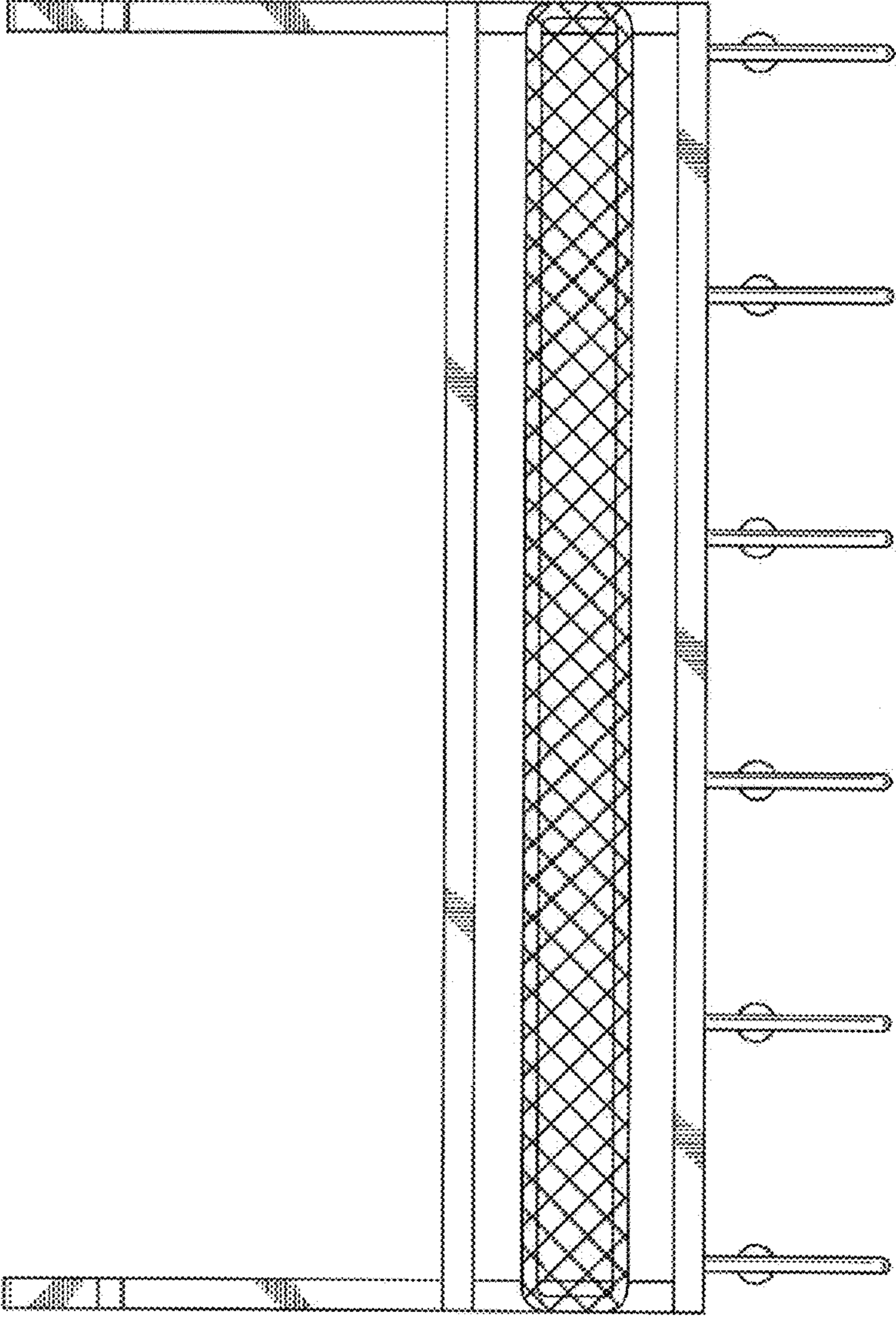


FIG. 3

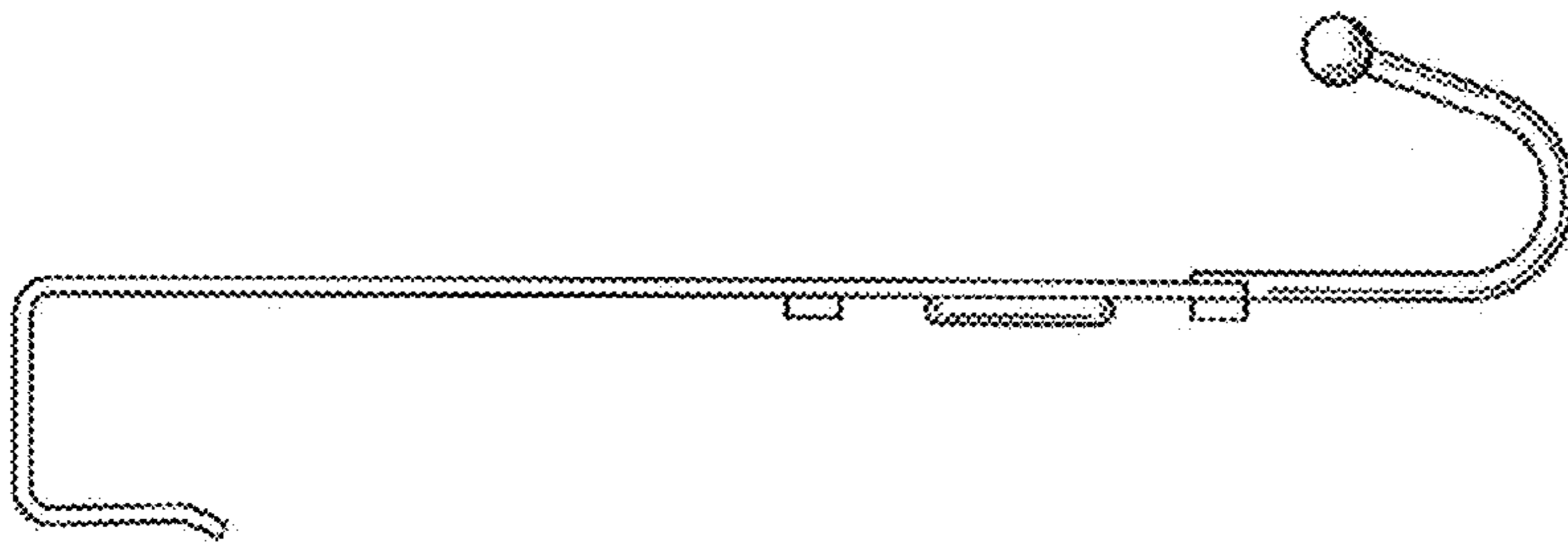


FIG. 4

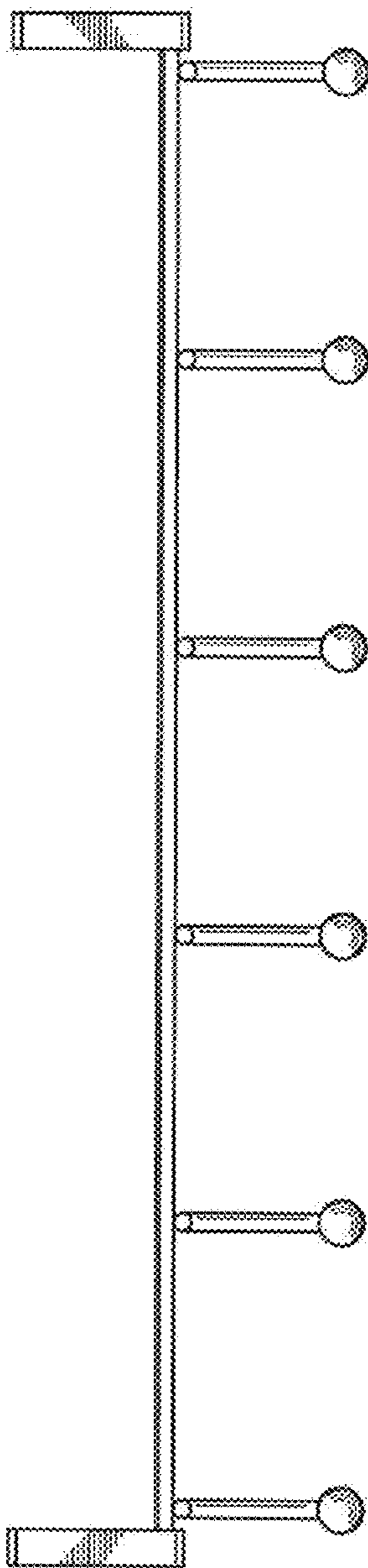


FIG. 5

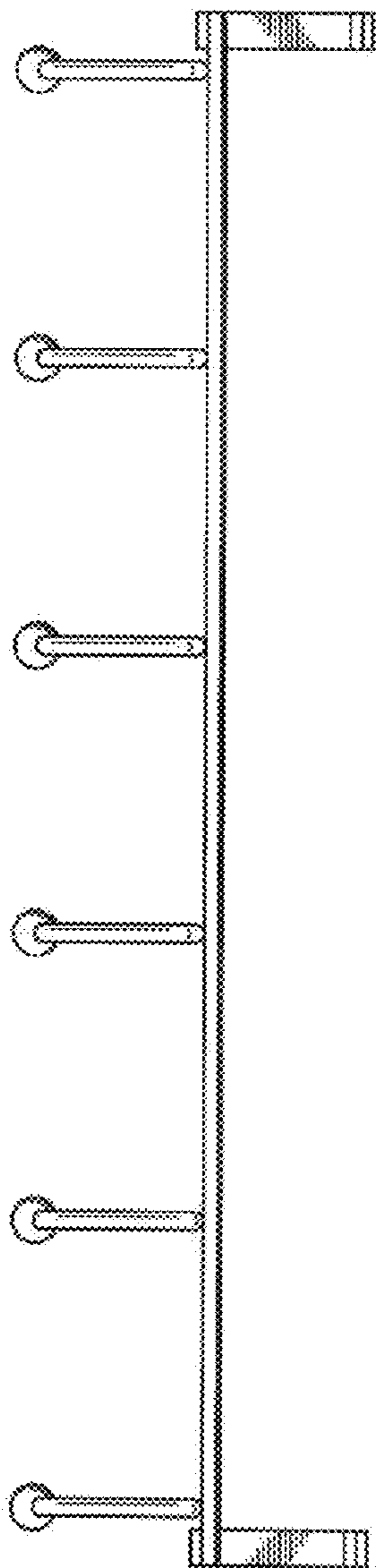


FIG. 6