



US00D724856S

(12) **United States Design Patent**
Marköö

(10) **Patent No.:** **US D724,856 S**
(45) **Date of Patent:** **** Mar. 24, 2015**

(54) **CHAIR**
(71) Applicant: **Chairit of Sweden AB, Årsta (SE)**
(72) Inventor: **Carl-Johan Marköö, Årsta (SE)**
(73) Assignee: **Chairit of Sweden AB, Årsta (SE)**
(**) Term: **14 Years**
(21) Appl. No.: **29/455,896**

D674,628 S * 1/2013 Day D6/368
D690,957 S * 10/2013 Weppelman D6/368
2003/0006632 A1 * 1/2003 Ku 297/45
2004/0084581 A1 * 5/2004 Chang 248/166

(22) Filed: **May 24, 2013**
(51) **LOC (10) Cl.** **06-01**
(52) **U.S. Cl.**
USPC **D6/368**
(58) **Field of Classification Search**
USPC D6/334-336, 367-368, 374-381, 500,
D6/502, 716, 716.1-716.4; 108/115;
248/165-167, 436; 297/4, 16.1-16.2,
297/40-46, 53-58, 129, 183.7, 188.06,
297/452.1, 452.12, 452.13, 452.19, 452.21,
297/452.29, 452.56

FOREIGN PATENT DOCUMENTS

EP 000747555-0005 6/2007
EP 000747555-0006 6/2007
EP 000747555-0015 6/2007
EP 000760400-0005 7/2007
EP 000806310-0002 10/2007
EP 001031330-0025 10/2008
EP 001037311-0001 12/2008
EP 001821158-0001 2/2011
EP 001324354-0001 5/2012

* cited by examiner

Primary Examiner — Ricky Pham

(74) *Attorney, Agent, or Firm* — Haynes and Boone LLP

(57) **CLAIM**

The ornamental design for a chair, as shown and described.

DESCRIPTION

FIG. 1 is a right side perspective view of a chair showing my new design;
FIG. 2 is a left side perspective view thereof;
FIG. 3 is a front perspective view thereof;
FIG. 4 is a rear perspective view thereof;
FIG. 5 is an enlarged right-front detailed perspective view of a portion thereof taken along the lines 5-5 of FIG. 1;
FIG. 6 is an enlarged right-rear detailed perspective view of a portion thereof taken along the lines 6-6 of FIG. 1;
FIG. 7 is a bottom plan view thereof; and,
FIG. 8 is a top plan view thereof.

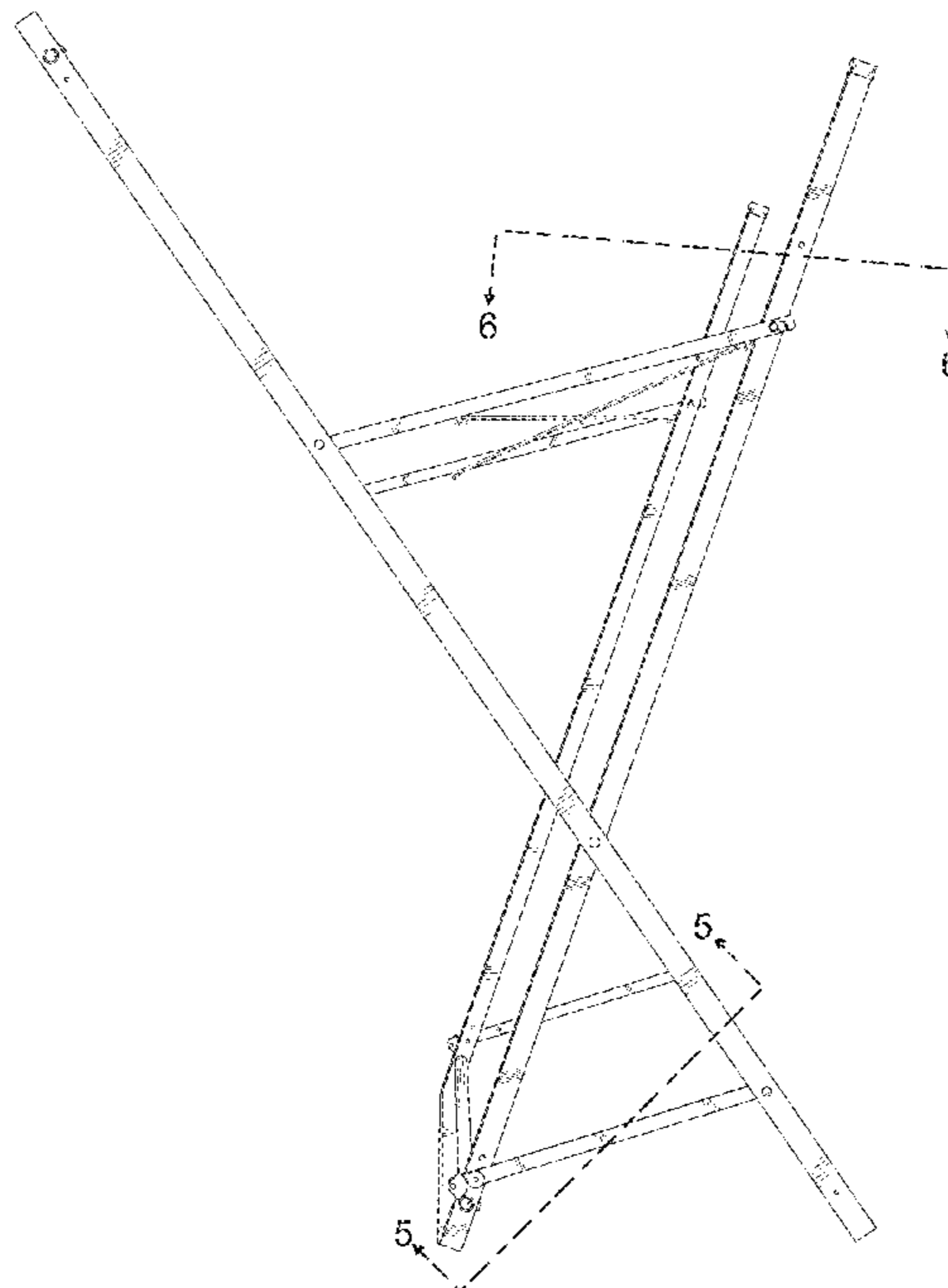
See application file for complete search history.

(56) **References Cited**

U.S. PATENT DOCUMENTS

4,359,244 A * 11/1982 Koehm 297/16.2
6,073,894 A * 6/2000 Chen 248/165
D431,382 S * 10/2000 Eloge et al. D6/368
6,179,374 B1 * 1/2001 Tang 297/45
6,488,331 B2 * 12/2002 Chen 297/42
6,499,705 B1 * 12/2002 Tsai 248/167
6,792,880 B2 * 9/2004 Tsai 108/115
6,929,230 B2 * 8/2005 Tsai 248/436
7,073,852 B1 * 7/2006 Zheng 297/16.2

1 Claim, 8 Drawing Sheets



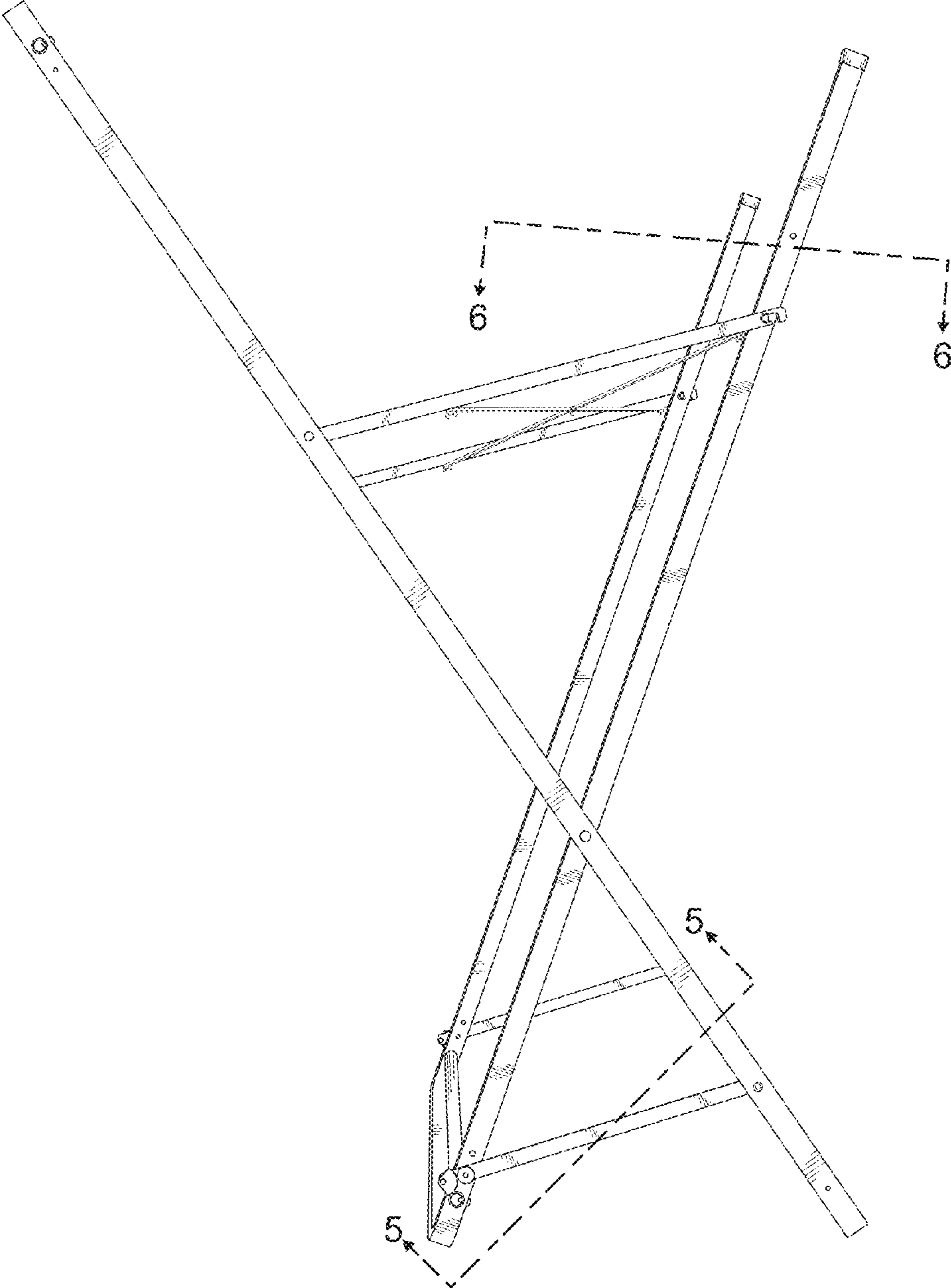


FIG. 1

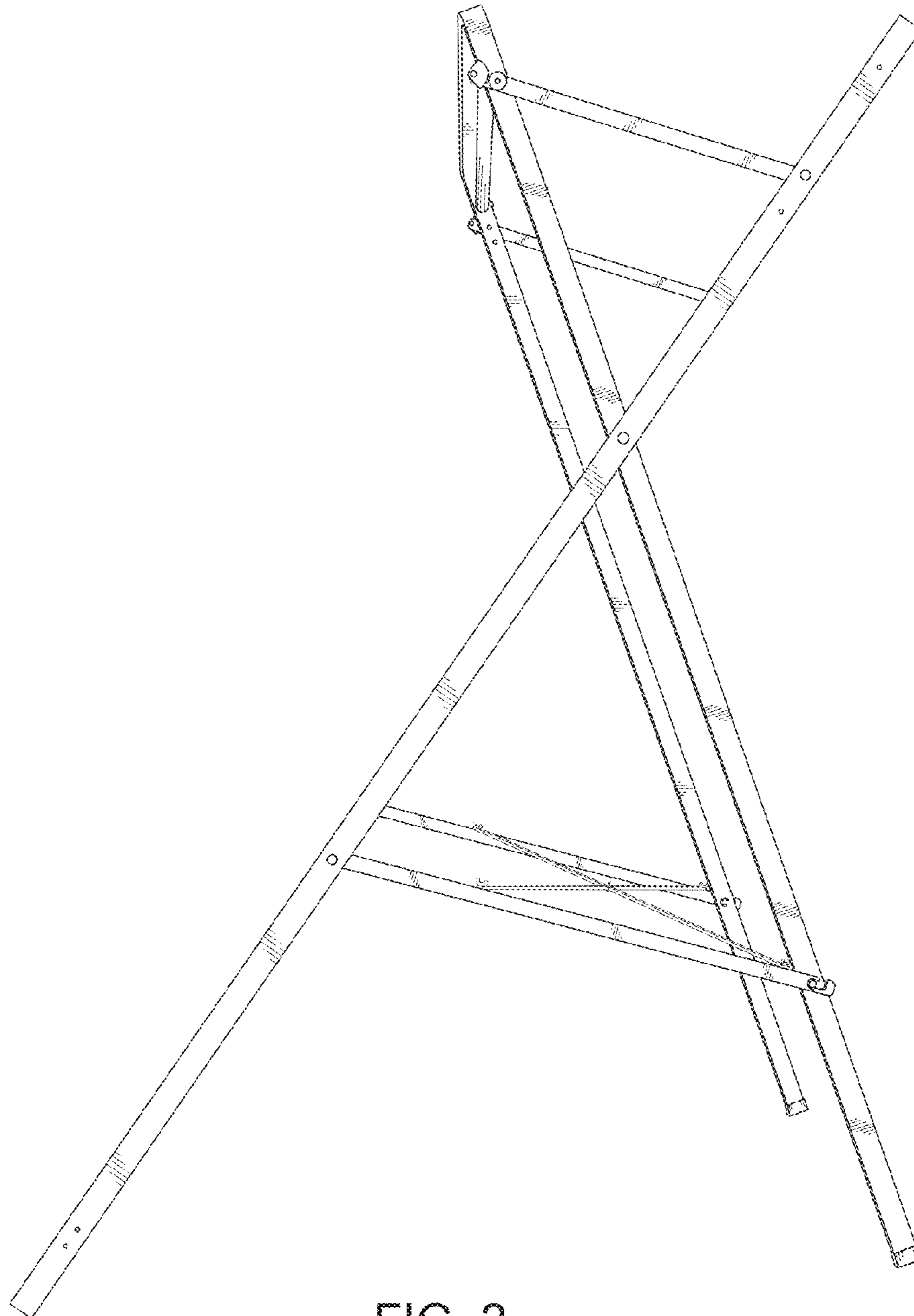


FIG. 2

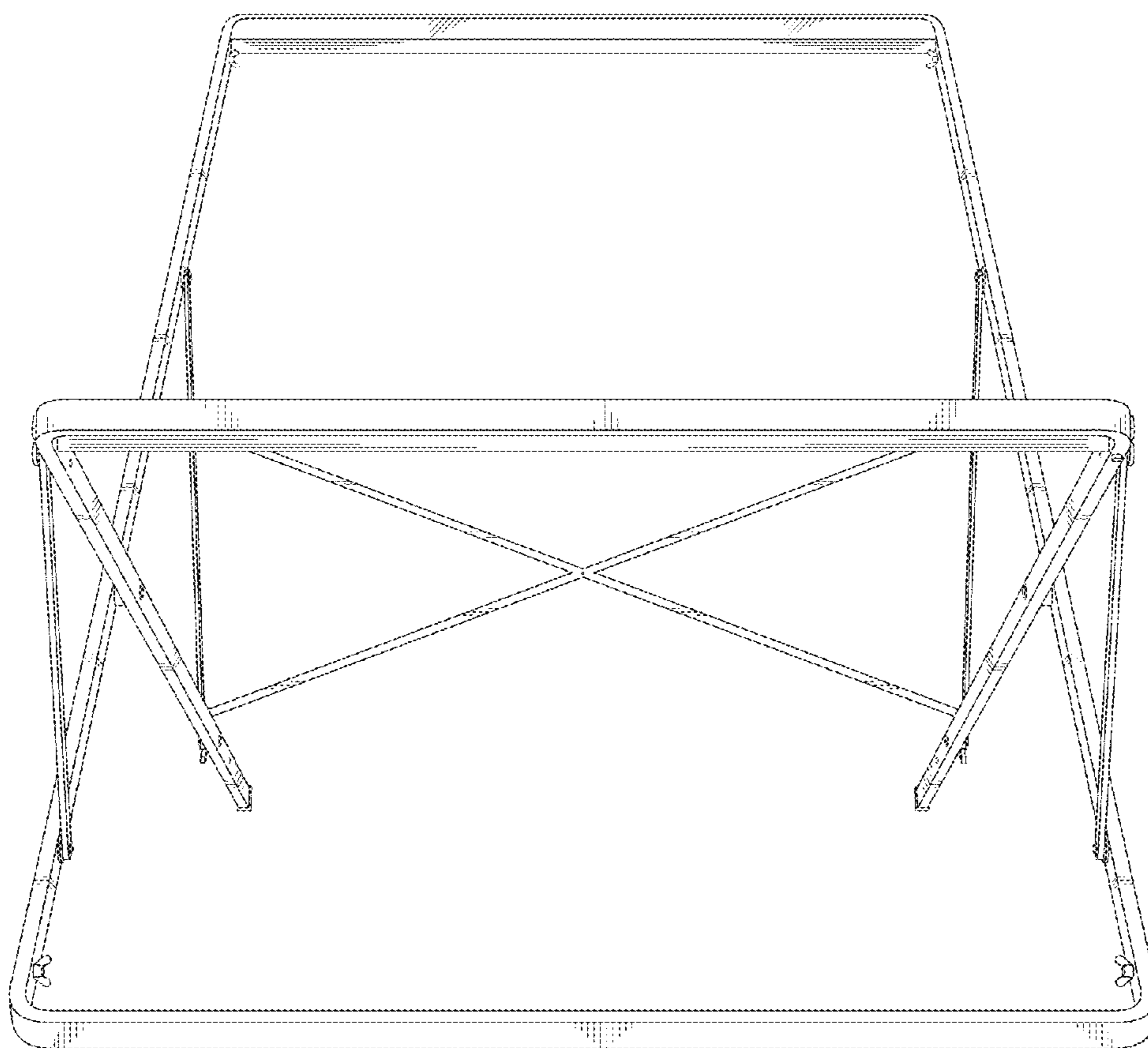


FIG. 3

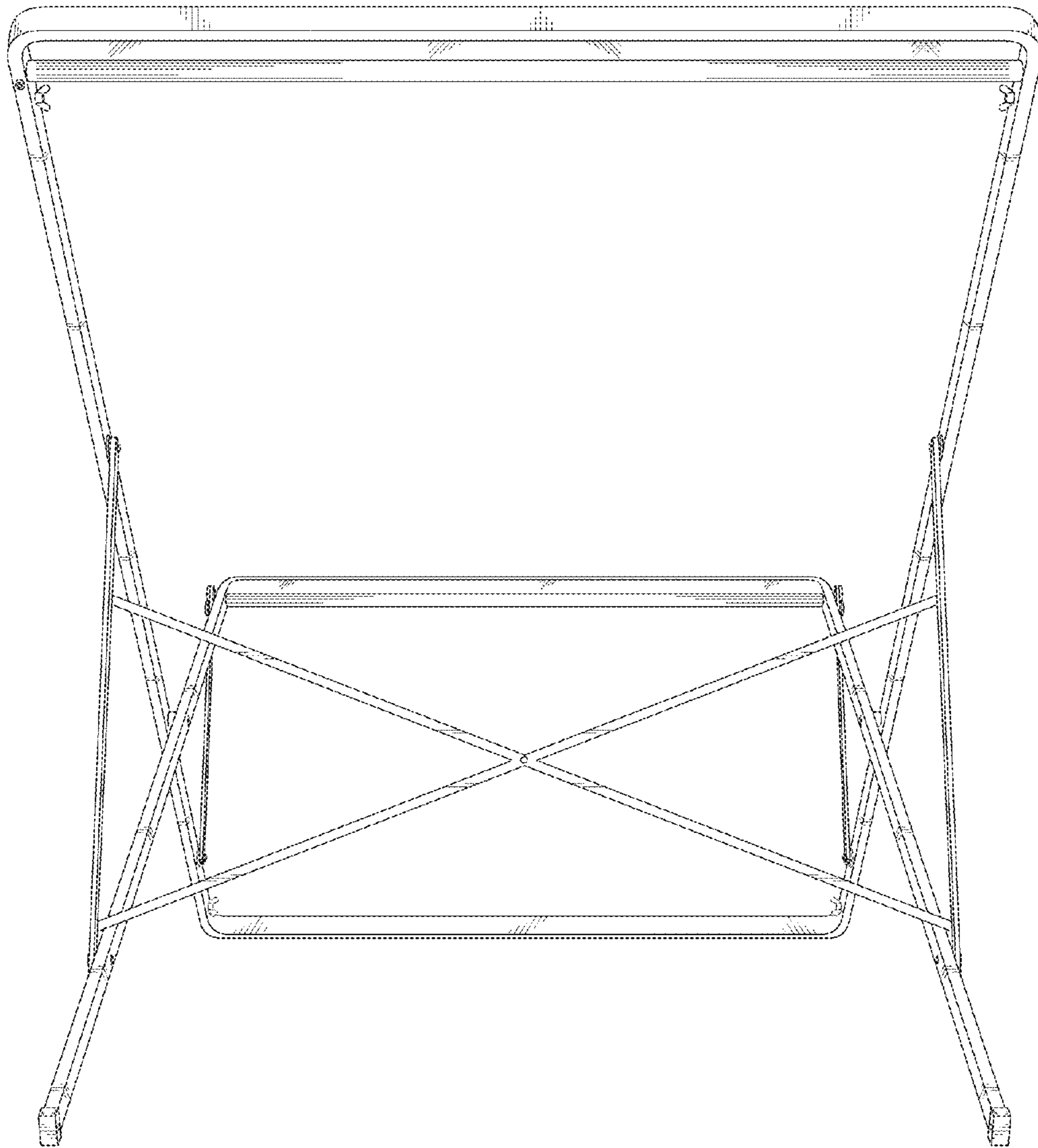


FIG. 4

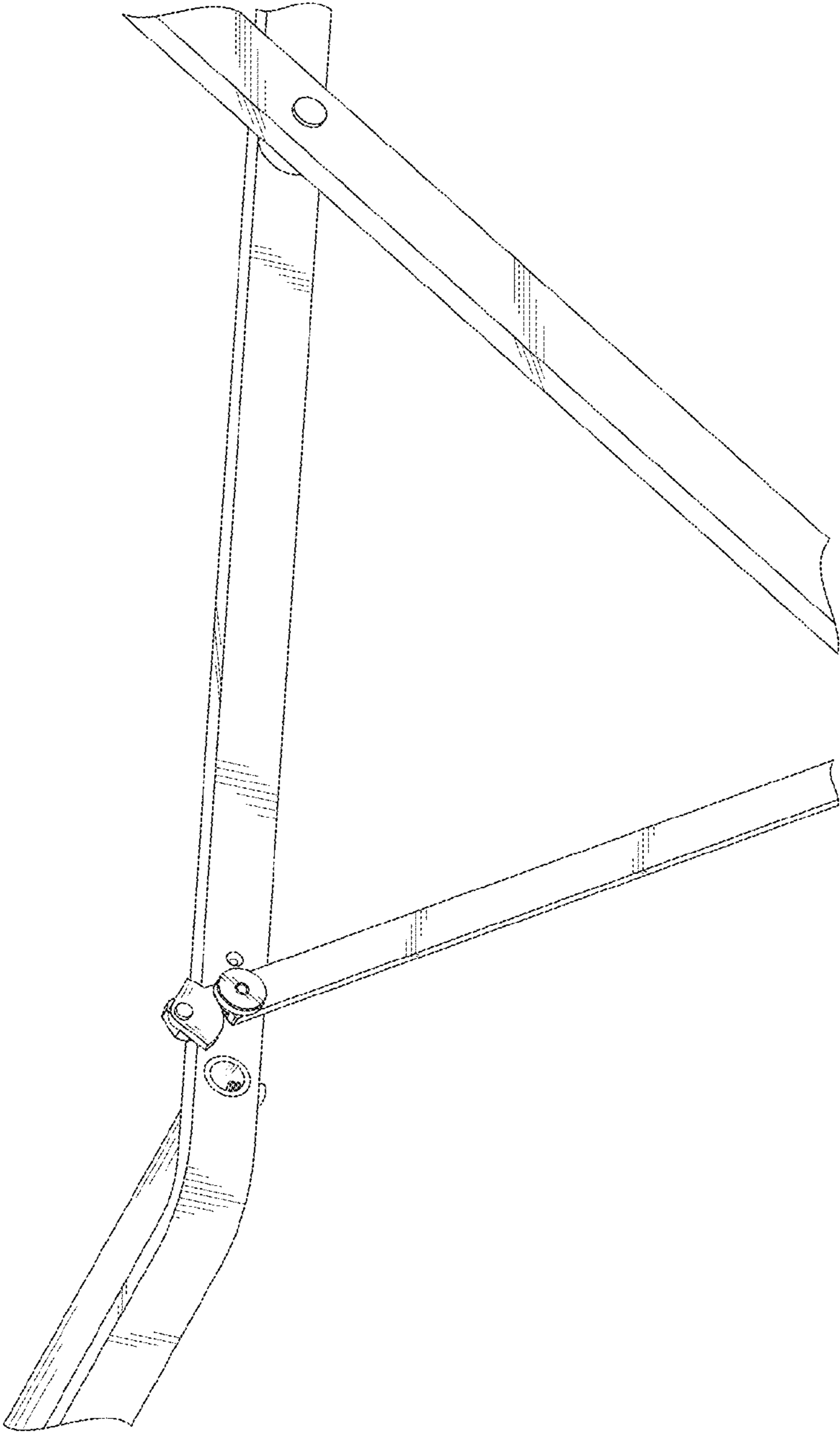


FIG. 5

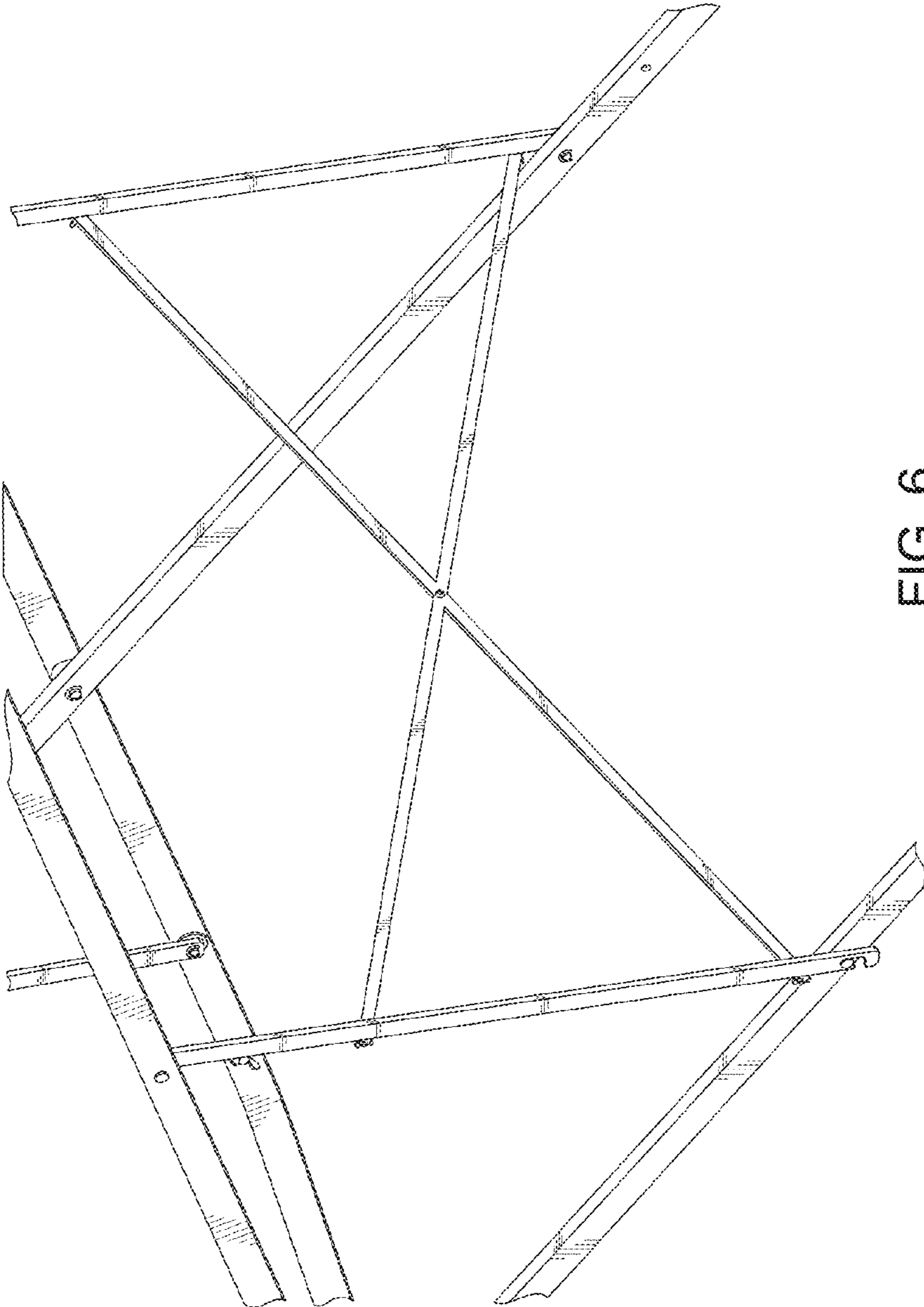


FIG. 6

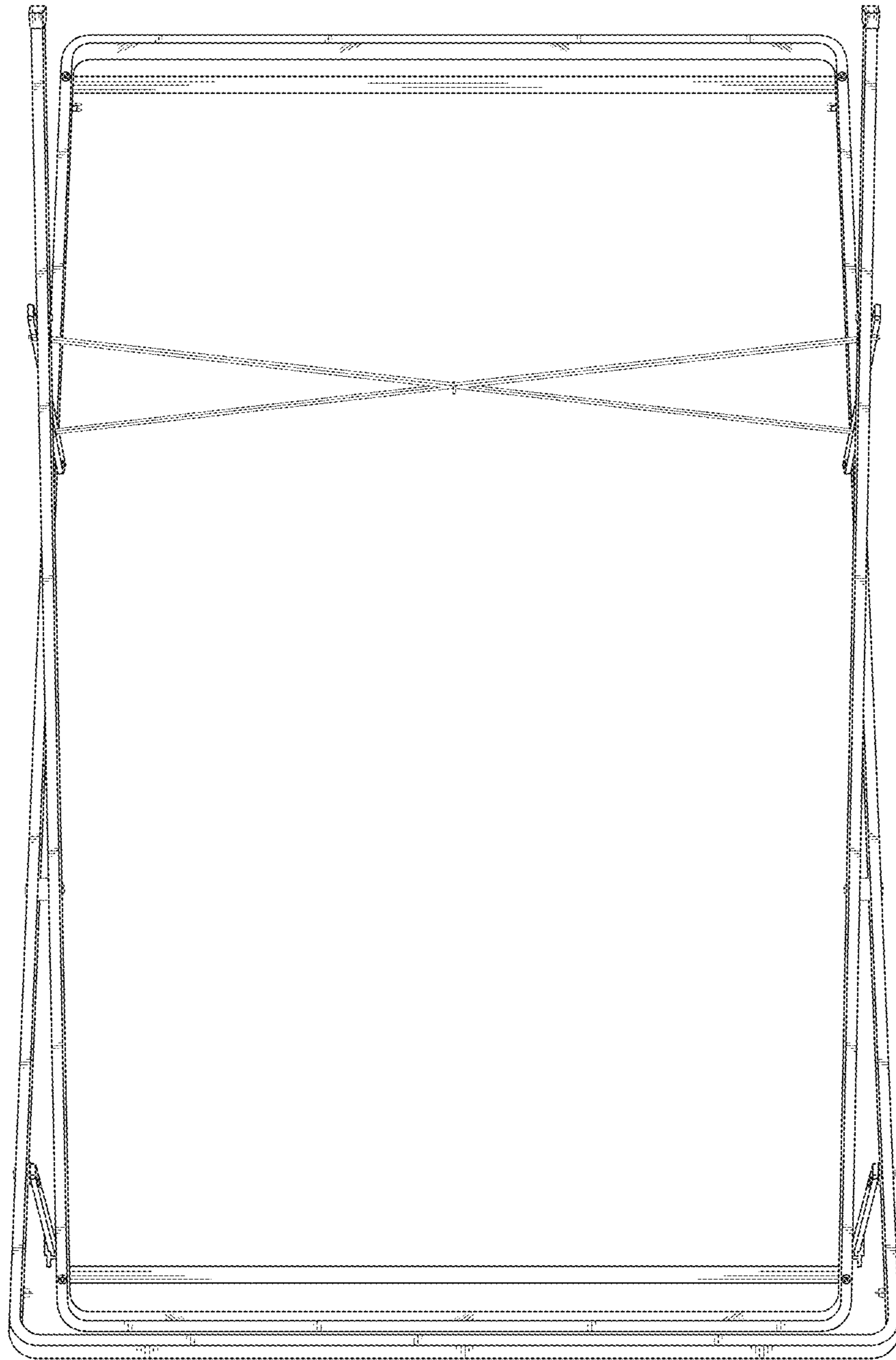


FIG. 7

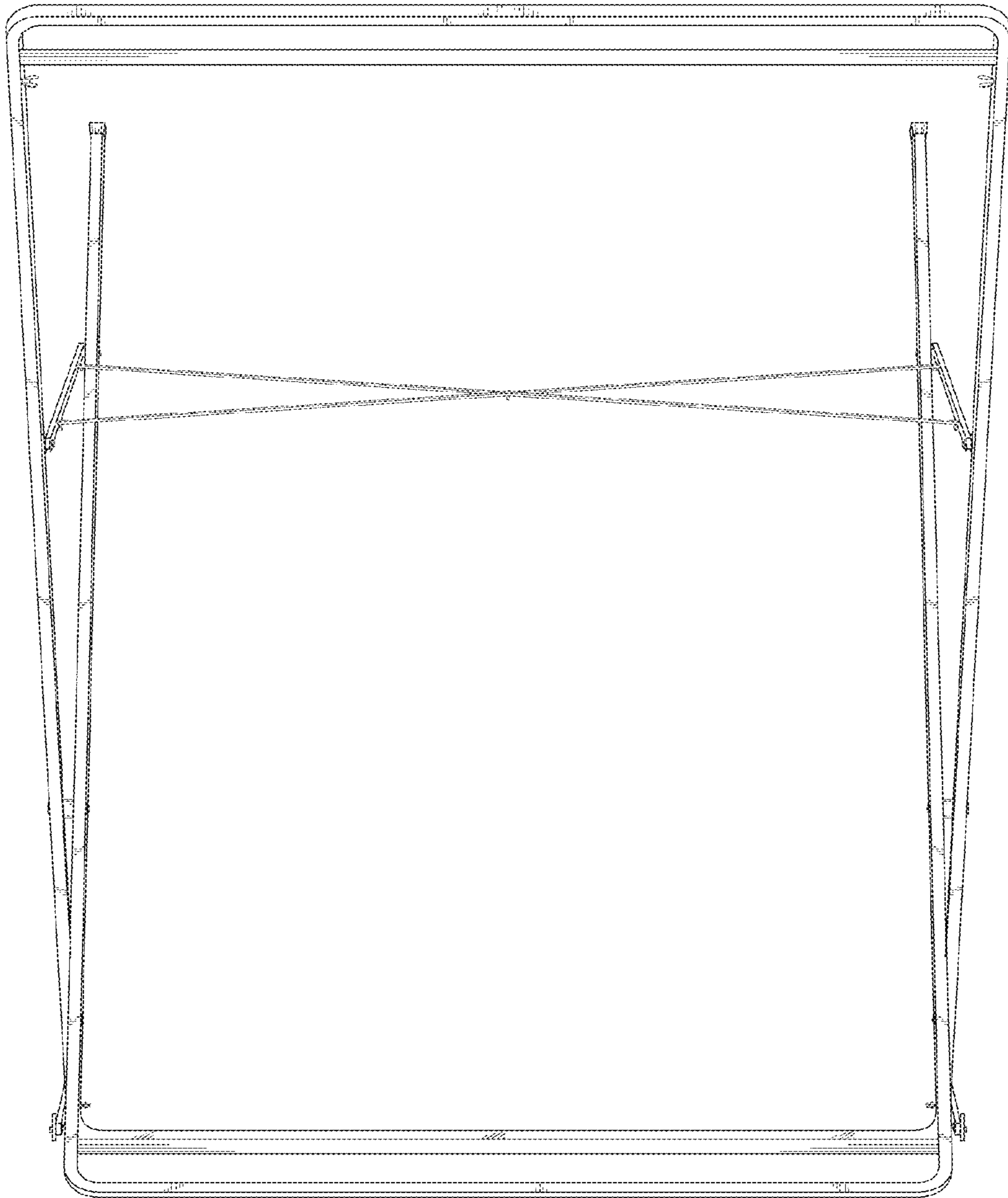


FIG. 8