



US00D724855S

(12) **United States Design Patent**
Kim

(10) **Patent No.:** **US D724,855 S**
(45) **Date of Patent:** **** Mar. 24, 2015**

(54) **SPA CHAIR**

D701,969 S * 4/2014 Le et al. D24/204
D701,970 S * 4/2014 Le et al. D24/204
D709,208 S * 7/2014 Ton D24/204

(71) Applicant: **J&A USA Inc.**, Brentwood, NY (US)

(72) Inventor: **Yun Ho Kim**, Dix Hills, NY (US)

(73) Assignee: **J&A USA Inc.**, Brentwood, NY (US)

(**) Term: **14 Years**

(21) Appl. No.: **29/506,580**

(22) Filed: **Oct. 17, 2014**

(51) **LOC (10) Cl.** **06-01**

(52) **U.S. Cl.**
USPC **D6/336**

(58) **Field of Classification Search**
USPC D6/334, 335, 336, 379, 381, 369, 349;
297/94, 118, 232, 445.1, 448.1, DIG. 7;
D24/204

See application file for complete search history.

(56) **References Cited**

U.S. PATENT DOCUMENTS

D455,017 S * 4/2002 Tran D6/336
D456,154 S * 4/2002 Huynh et al. D6/336
D526,505 S * 8/2006 Gruenwald et al. D6/381
D619,727 S * 7/2010 Le D24/204
D620,126 S * 7/2010 Le D24/204
D624,761 S * 10/2010 Le D6/336
D635,787 S * 4/2011 Ton D6/336
D636,191 S * 4/2011 Ton D6/336

OTHER PUBLICATIONS

Lenox Enduring Elegance Product Brochure, 11 pages.

* cited by examiner

Primary Examiner — Sandra Snapp

(74) *Attorney, Agent, or Firm* — Hoffmann & Baron, LLP

(57) **CLAIM**

The ornamental design for a spa chair, as shown and described.

DESCRIPTION

FIG. 1 is a perspective view of a spa chair constructed in accordance with the invention;
FIG. 2 is a front view of the spa chair shown in FIG. 1;
FIG. 3 is a rear view of the spa chair shown in FIG. 1;
FIG. 4 is a left side elevational view of the spa chair shown in FIG. 1;
FIG. 5 is a right side elevational view of the spa chair shown in FIG. 1;
FIG. 6 is a top elevation view of the spa chair as shown in FIG. 1; and,
FIG. 7 is a bottom elevation view of the spa chair shown in FIG. 1.

The broken lines shown in the drawings represent unclaimed environment and are for illustrative purposes only, forming no part of the claimed design.

1 Claim, 7 Drawing Sheets



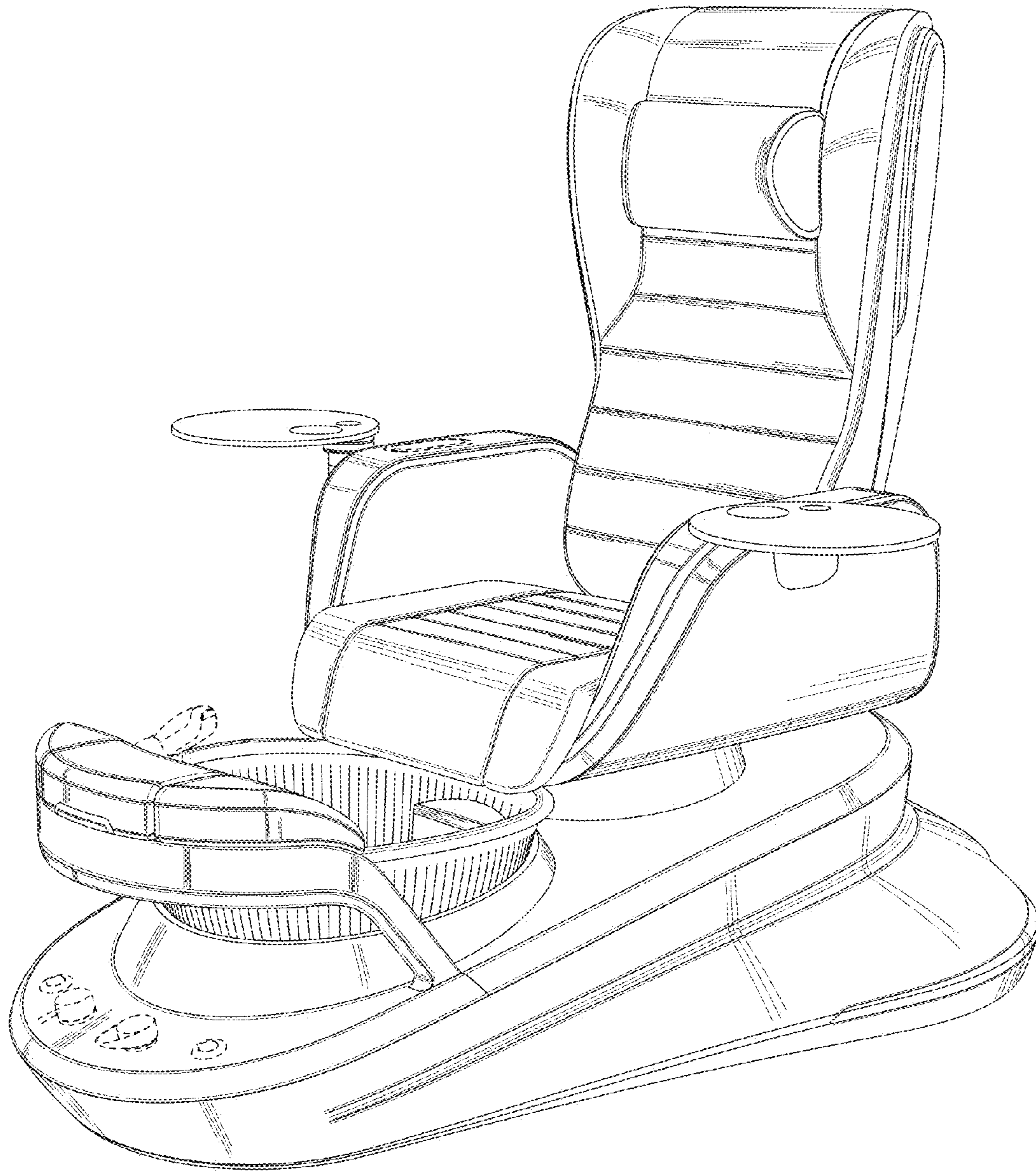


Fig.1

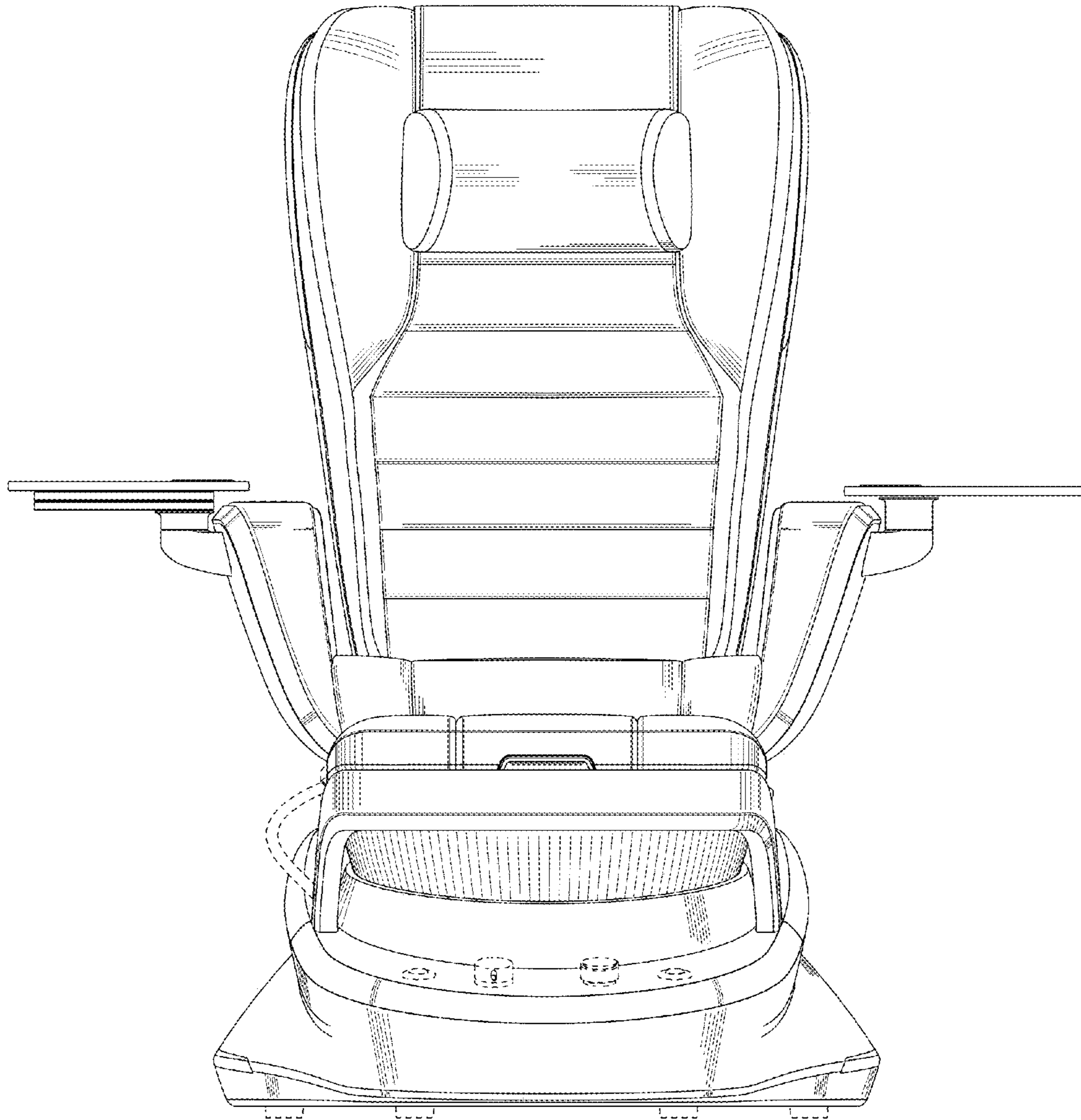


Fig.2

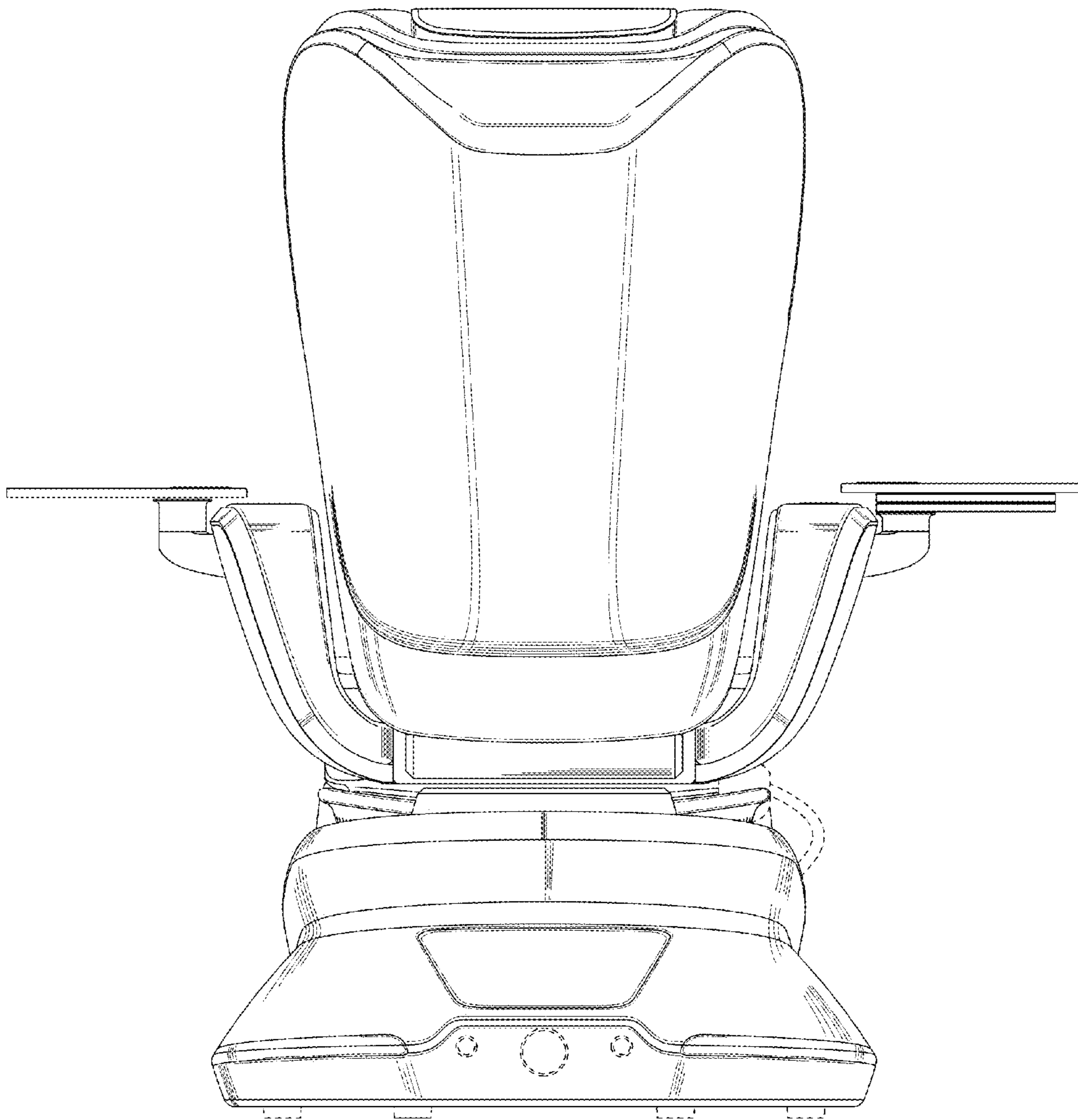


Fig.3

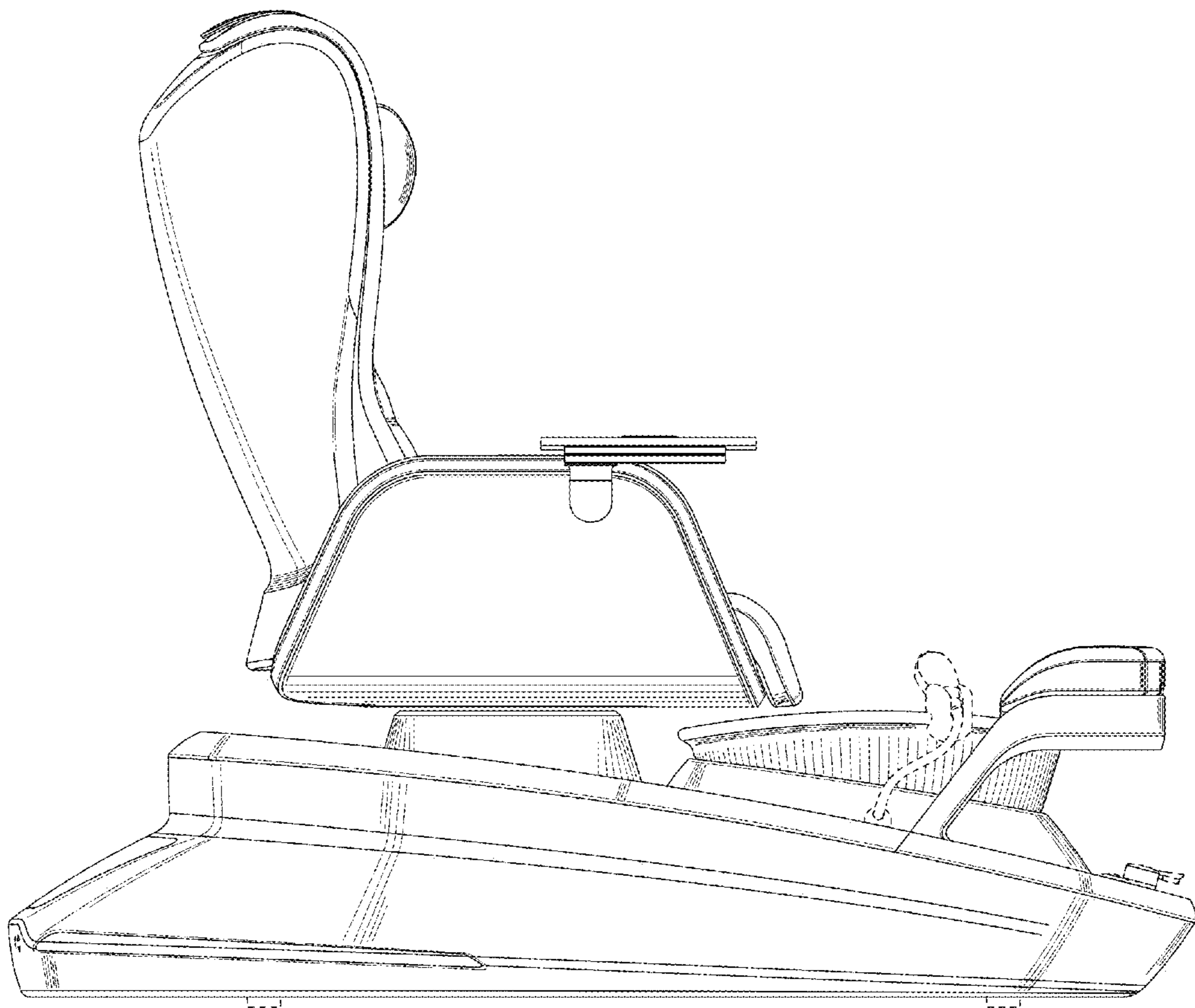


Fig.4

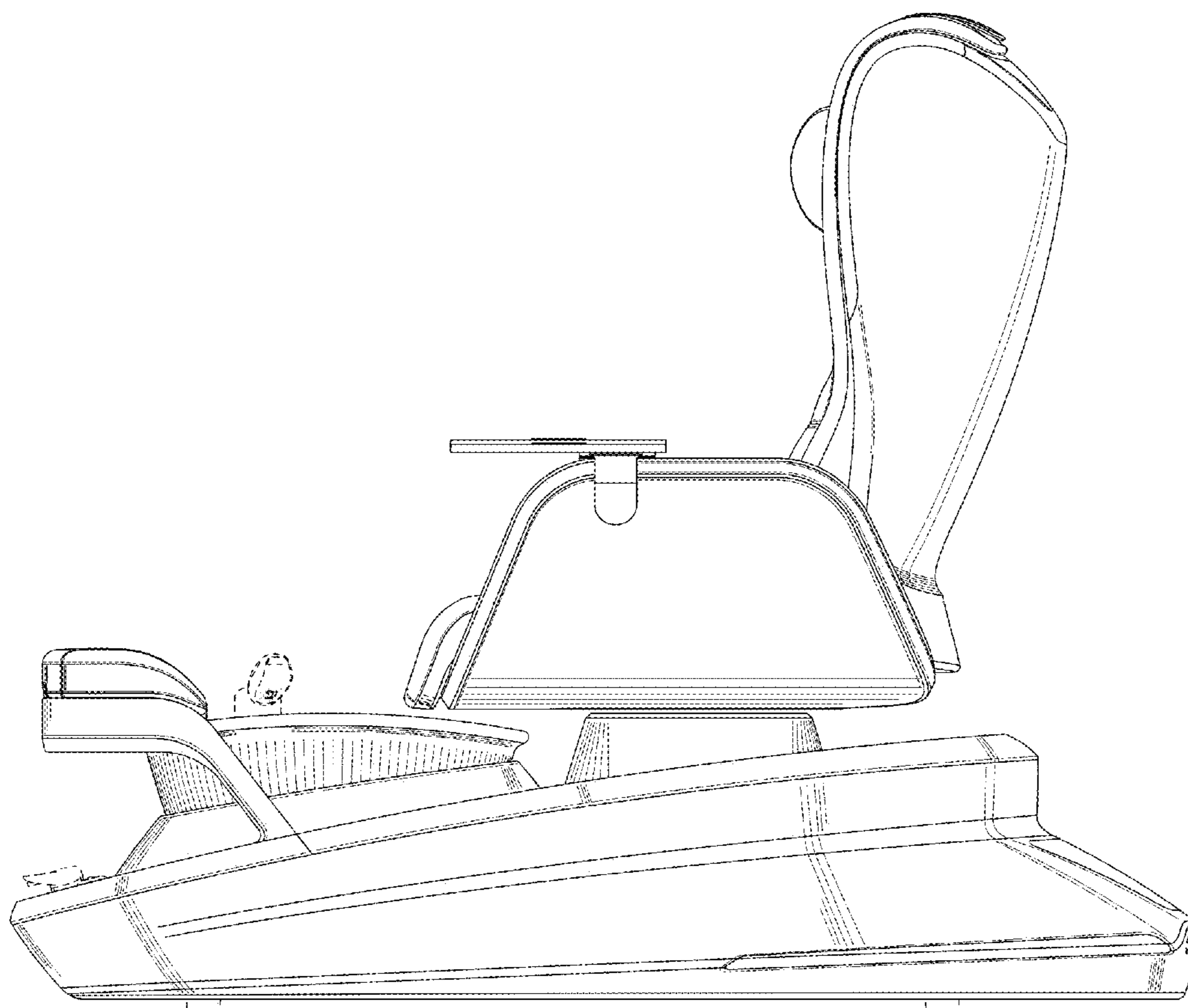


Fig.5

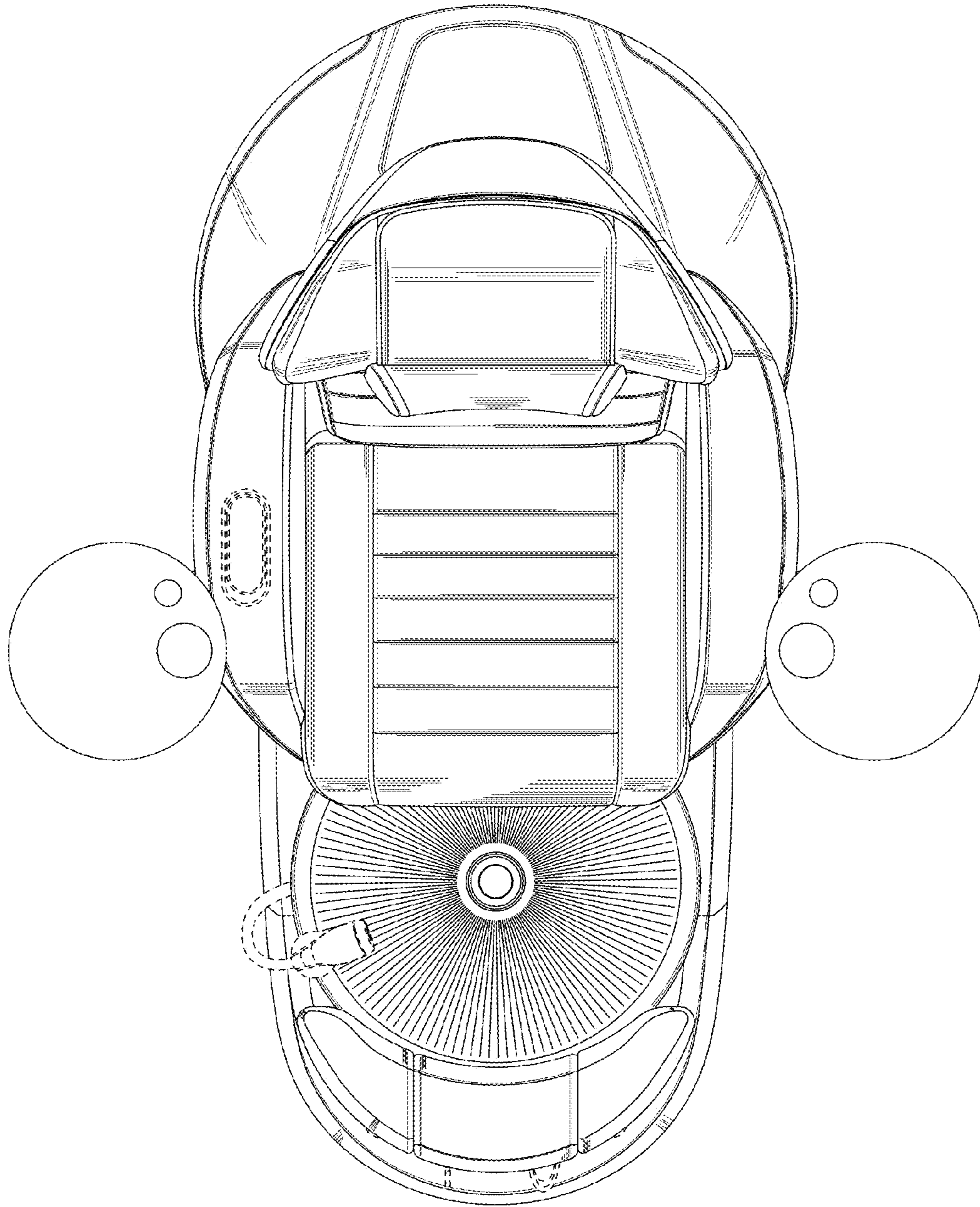


Fig.6

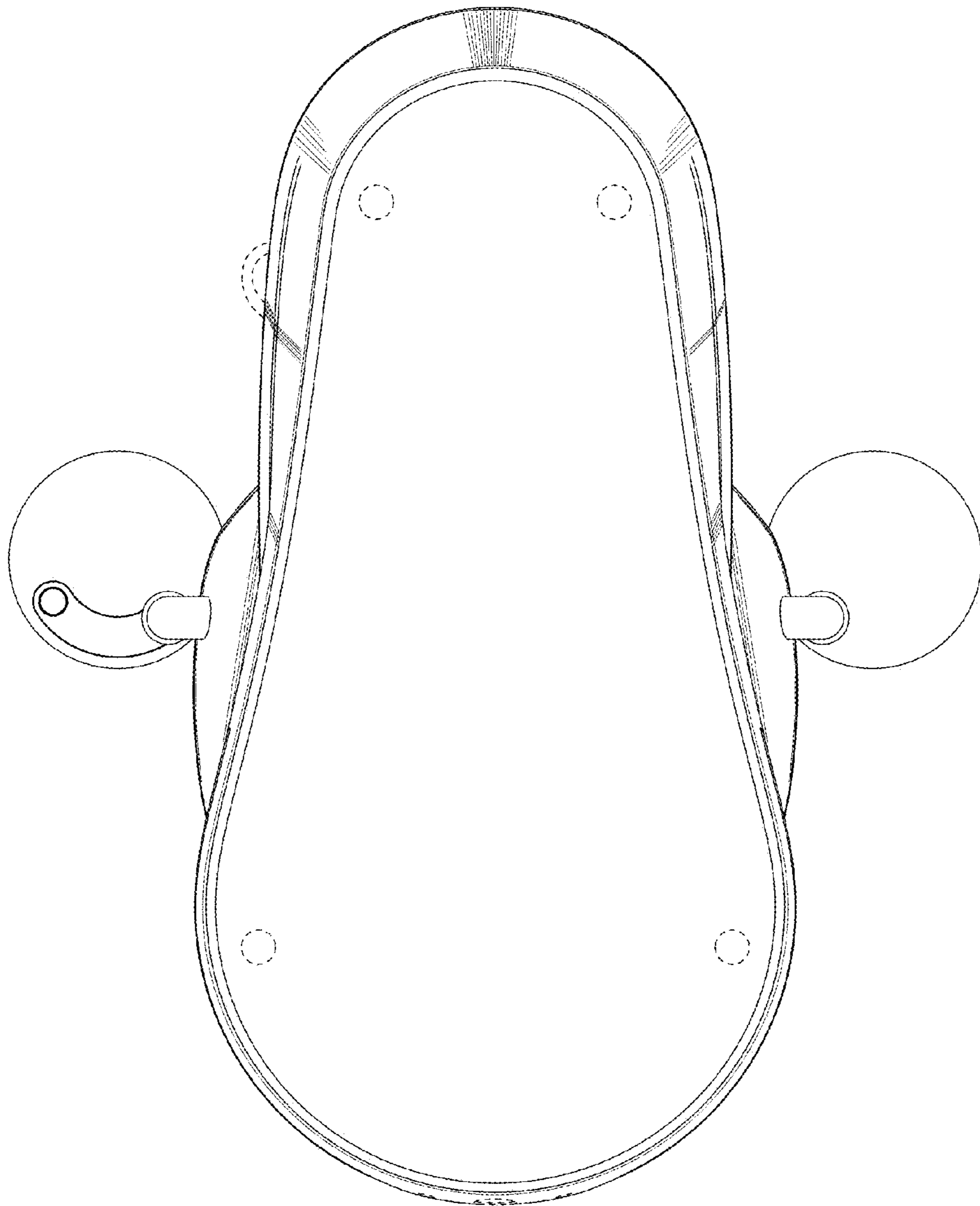


Fig.7