



US00D724851S

(12) **United States Design Patent**  
**Klein et al.**

(10) **Patent No.:** **US D724,851 S**  
(45) **Date of Patent:** **\*\* Mar. 24, 2015**

(54) **SCARF ORGANIZER**

(71) Applicant: **Lynk, Inc.**, Lenexa, KS (US)

(72) Inventors: **Richard B. Klein**, Overland Park, KS (US); **Mark A. Etter**, Independence, MO (US); **Brandon D. Wood**, Independence, MO (US); **Zheng Song**, Olathe, KS (US)

(73) Assignee: **Lynk, Inc.**, Lenexa, KS (US)

(\*\*) Term: **14 Years**

(21) Appl. No.: **29/501,326**

(22) Filed: **Sep. 3, 2014**

(51) **LOC (10) Cl.** ..... **06-08**

(52) **U.S. Cl.**  
USPC ..... **D6/323; D8/372**

(58) **Field of Classification Search**  
USPC ..... D6/315–328, 513, 514, 546, 552, 553,  
D6/567, 569, 570; 223/85–98; 211/10,  
211/13.1, 60.1, 63, 85.3, 86.01, 87.01,  
211/88.04, 97, 94.01, 113, 119.004;  
D8/372, 373, 380, 381, 376  
See application file for complete search history.

(56) **References Cited**

**U.S. PATENT DOCUMENTS**

D397,565	S	*	9/1998	Klein et al.	.....	D6/513
D461,650	S	*	8/2002	Goodman et al.	.....	D6/372
D465,998	S	*	11/2002	Goodman et al.	.....	D8/372
D466,396	S	*	12/2002	Snell	.....	D8/372
D555,366	S	*	11/2007	Goodman et al.	.....	D6/323
7,789,248	B1	*	9/2010	Salerno et al.	.....	211/85.7
D699,467	S	*	2/2014	Tsai	.....	D6/514

**OTHER PUBLICATIONS**

Website Advertisement, The Container Store, “Axis 8-Hook Wall-Mounted Rack”, downloaded from the internet on Aug. 7, 2014 at

www.containerstore.com/shop/closet/accessoryStorage/scarves?productId=10030098&N=159 (2 pgs).  
Website Advertisement, Bed Bath & Beyond, “InterDesign® York Lyra Over-The-Door 5-Hook Rack”, downloaded from the internet on Aug. 7, 2014 at www.bedbathandbeyond.com/store/product/interdesign-reg-york-lyra-over-the-door-5-hook-rack/1017947788?categoryId=12210 (2 pgs).

(Continued)

*Primary Examiner* — Derrick Holland  
*Assistant Examiner* — Lauren Calve  
(74) *Attorney, Agent, or Firm* — Stinson Leonard Street LLP

(57) **CLAIM**

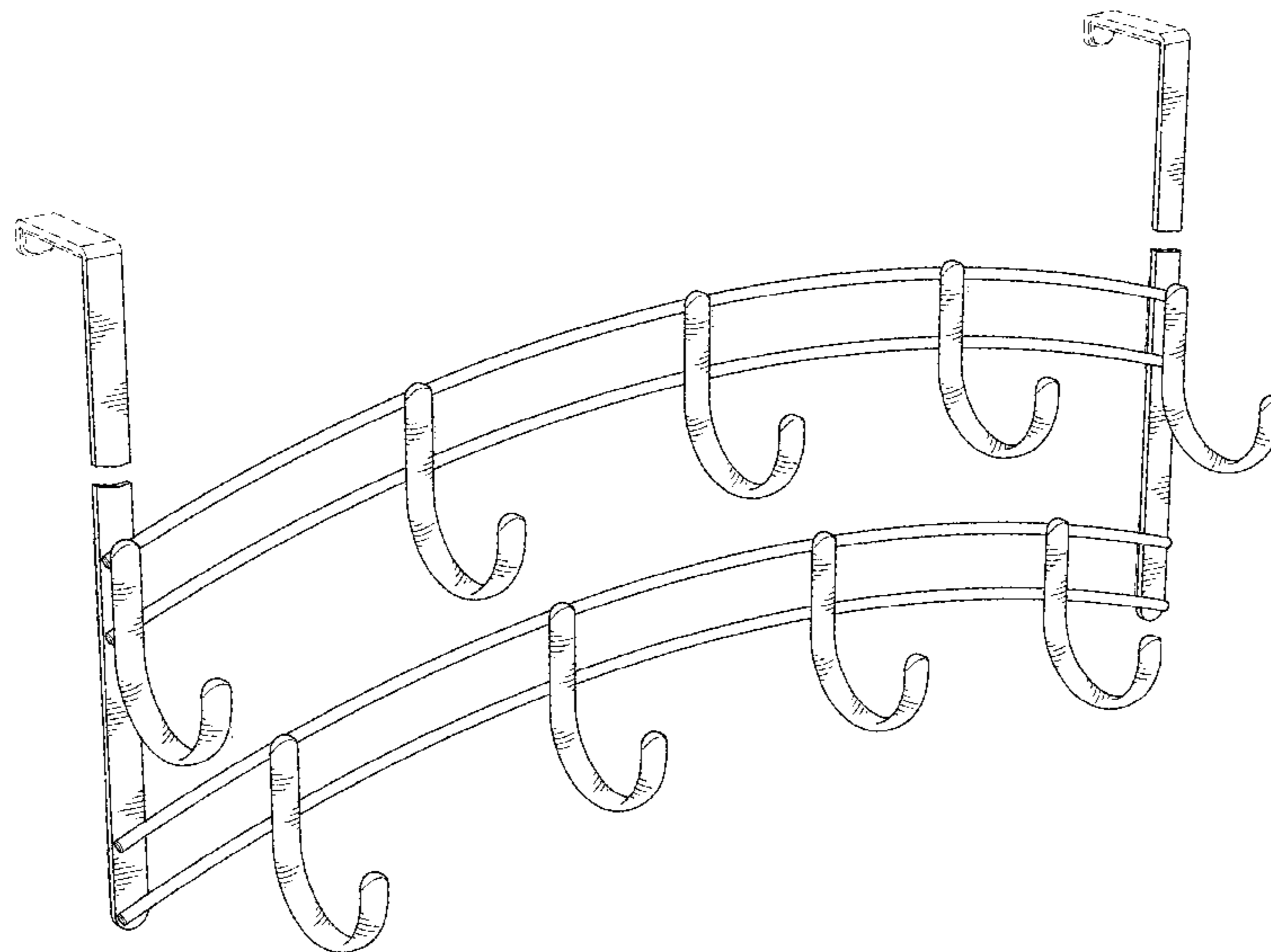
The ornamental design for a scarf organizer, as shown and described.

**DESCRIPTION**

FIG. 1 is a front perspective view of the scarf organizer; FIG. 2 is a top plan view of the scarf organizer of FIG. 1; FIG. 3 is a bottom plan view of the scarf organizer of FIG. 1; FIG. 4 is a front elevational view of the scarf organizer of FIG. 1; FIG. 5 is a back elevational view of the scarf organizer of FIG. 1; FIG. 6 is left side elevational view of the scarf organizer of FIG. 1; and, FIG. 7 is a right side elevational view of the scarf organizer of FIG. 1.

The scarf organizer is shown broken to represent indeterminate length. The indeterminate portion of the article forms no part of the claim design. Patentability is based only on those portions of the scarf organizer that are shown in solid lines. The broken lines shown represent unclaimed subject matter and form no part of the claimed design.

**1 Claim, 5 Drawing Sheets**



(56)

**References Cited**

## OTHER PUBLICATIONS

Website Advertisement, Bed Bath & Beyond, “Rubberized Over The Door Hook Rack in Gray”, downloaded from the internet on Aug. 7, 2014 at [www.bedbathandbeyond.com/store/product/rubberized-over-the-door-hook-rack-in-gray/1042323853?categoryId=12210](http://www.bedbathandbeyond.com/store/product/rubberized-over-the-door-hook-rack-in-gray/1042323853?categoryId=12210) (2 pgs).

Website Advertisement, Bed Bath & Beyond, “OXO Good Grips® Over-The-Door Hook Rack in Stainless Steel”, downloaded from the internet on Aug. 7, 2014 at [www.bedbathandbeyond.com/store/product/oxo-good-grips-reg-over-the-door-hook-rack-in-stainless-steel/1041500538?categoryId=12210](http://www.bedbathandbeyond.com/store/product/oxo-good-grips-reg-over-the-door-hook-rack-in-stainless-steel/1041500538?categoryId=12210) (2 pgs).

Website Advertisement, Bed Bath & Beyond, “Heritage Over-The-Door 5-Hook Rack in Brushed Nickel”, downloaded from the internet on Aug. 7, 2014 at [www.bedbathandbeyond.com/store/product/heritage-over-the-door-5-hook-rack-in-brushed-nickel/1041969311?categoryId=12210](http://www.bedbathandbeyond.com/store/product/heritage-over-the-door-5-hook-rack-in-brushed-nickel/1041969311?categoryId=12210) (2 pgs).

Website Advertisement, Bed Bath & Beyond, “Rubber-Coated Over-The-Door Hook Rack”, downloaded from the internet on Aug. 7, 2014 at [www.bedbathandbeyond.com/store/product/rubber-coated-over-the-door-hook-rack/1041180792?categoryId=12210](http://www.bedbathandbeyond.com/store/product/rubber-coated-over-the-door-hook-rack/1041180792?categoryId=12210) (2 pgs).

Website Advertisement, Bed Bath & Beyond, “Heavy Duty Over The Door Hook Rack”, downloaded from the internet on Aug. 7, 2014 at [www.bedbathandbeyond.com/store/product/heavy-duty-over-the-door-hook-rack/1040631172?categoryId=12210](http://www.bedbathandbeyond.com/store/product/heavy-duty-over-the-door-hook-rack/1040631172?categoryId=12210) (2 pgs).

Website Advertisement, Bed Bath & Beyond, “Over-The-Door Hook Rack with Towel Bar”, downloaded from the internet on Aug. 7, 2014 at [www.bedbathandbeyond.com/store/product/over-the-door-hook-rack-with-towel-bar/1041564028?categoryId=12210](http://www.bedbathandbeyond.com/store/product/over-the-door-hook-rack-with-towel-bar/1041564028?categoryId=12210) (2 pgs).

Website Advertisement, Bed Bath & Beyond, “Spectrum™ Windsor Over The Door 6-Hook Rack”, downloaded from the internet on Aug. 7, 2014 at [www.bedbathandbeyond.com/store/product/spectrum-trade-windsor-over-the-door-6-hook-rack/1013150532?categoryId=12210](http://www.bedbathandbeyond.com/store/product/spectrum-trade-windsor-over-the-door-6-hook-rack/1013150532?categoryId=12210) (2 pgs).

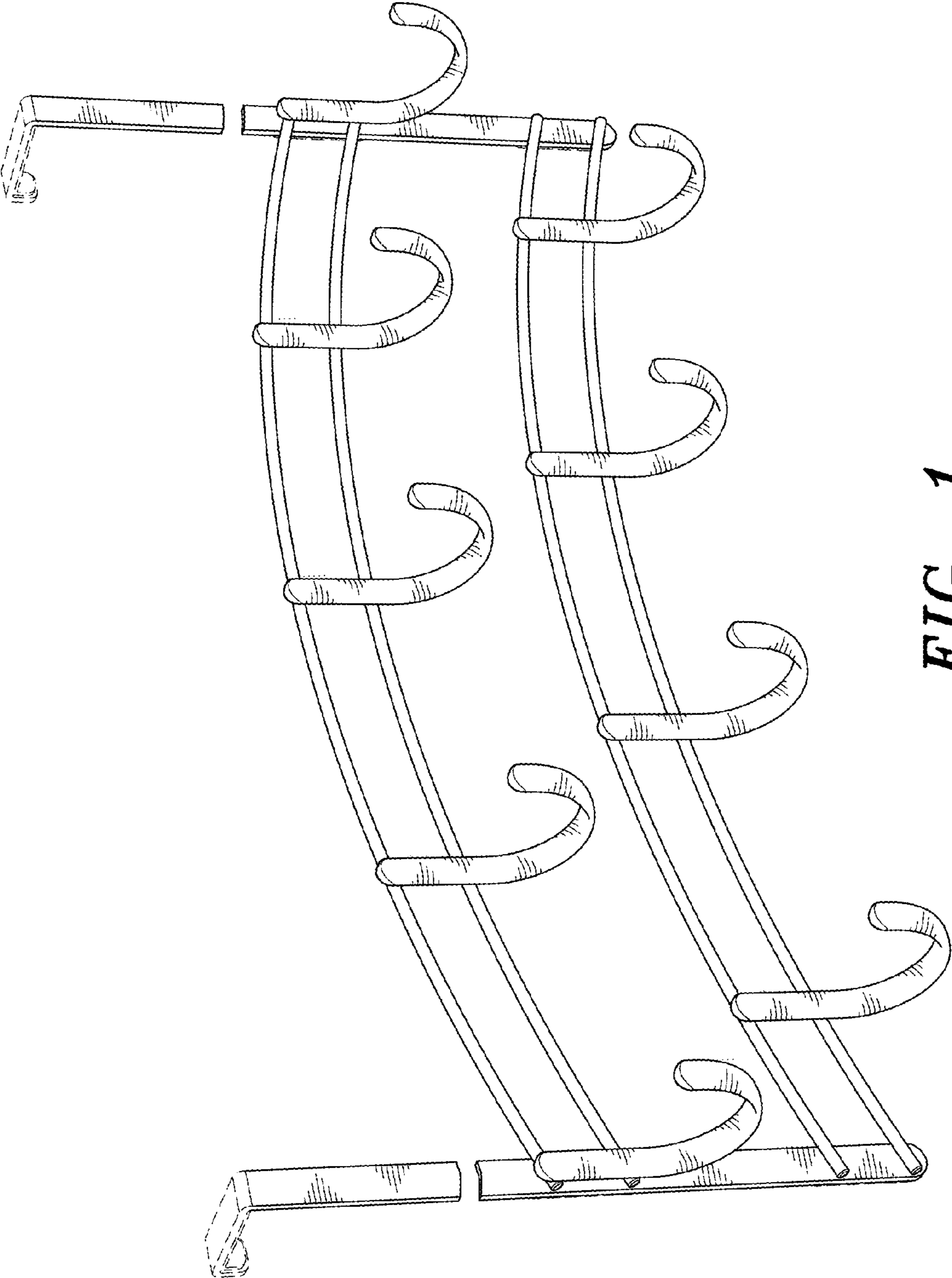
Website Advertisement, Bed Bath & Beyond, “6-Hook Over-The-Door Rack”, downloaded from the internet on Aug. 7, 2014 at [www.bedbathandbeyond.com/store/product/6-hook-over-the-door-rack/1017156772?categoryId=12210](http://www.bedbathandbeyond.com/store/product/6-hook-over-the-door-rack/1017156772?categoryId=12210) (2 pgs).

Website Advertisement, Bed Bath & Beyond, “Spectrum™ Willow Over The Door 5-Hook Rack in Black Chrome”, downloaded from the internet on Aug. 7, 2014 at [www.bedbathandbeyond.com/store/product/spectrum-trade-willow-over-the-door-5-hook-rack-in-black-chrome/1041493564?categoryId=12210](http://www.bedbathandbeyond.com/store/product/spectrum-trade-willow-over-the-door-5-hook-rack-in-black-chrome/1041493564?categoryId=12210) (2 pgs).

Website Advertisement, Bed Bath & Beyond, “Spectrum™ Quazar Over The Door 9-Hook Rack”, downloaded from the internet on Aug. 7, 2014 at [www.bedbathandbeyond.com/store/product/spectrum-trade-quazar-over-the-door-9-hook-rack/1041493557?categoryId=12210](http://www.bedbathandbeyond.com/store/product/spectrum-trade-quazar-over-the-door-9-hook-rack/1041493557?categoryId=12210) (2 pgs).

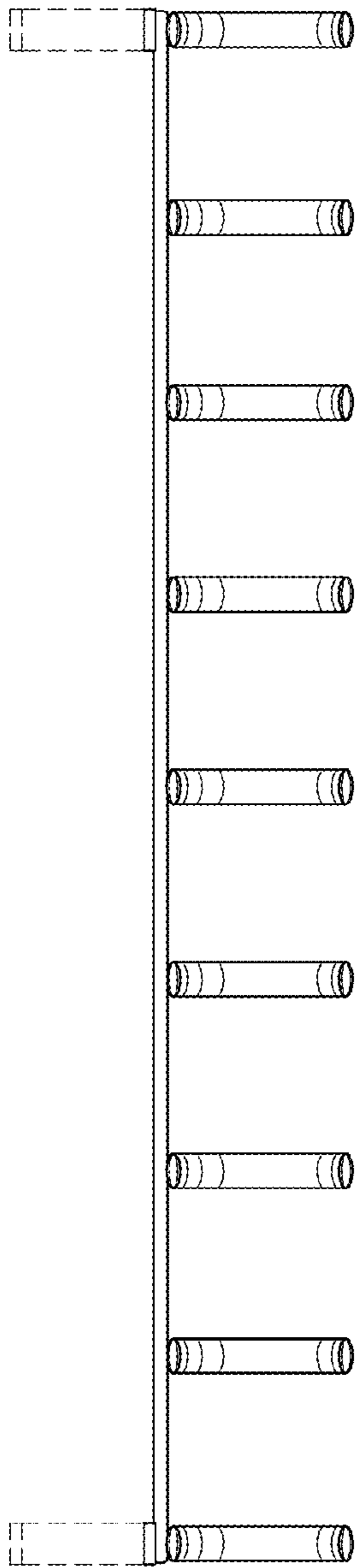
Website Advertisement, Bed Bath & Beyond, “Over The Door Hook Rack”, downloaded from the internet on Aug. 7, 2014 at [www.bedbathandbeyond.com/store/product/over-the-door-hook-rack/1017432230?categoryId=12210](http://www.bedbathandbeyond.com/store/product/over-the-door-hook-rack/1017432230?categoryId=12210) (2 pgs).

\* cited by examiner

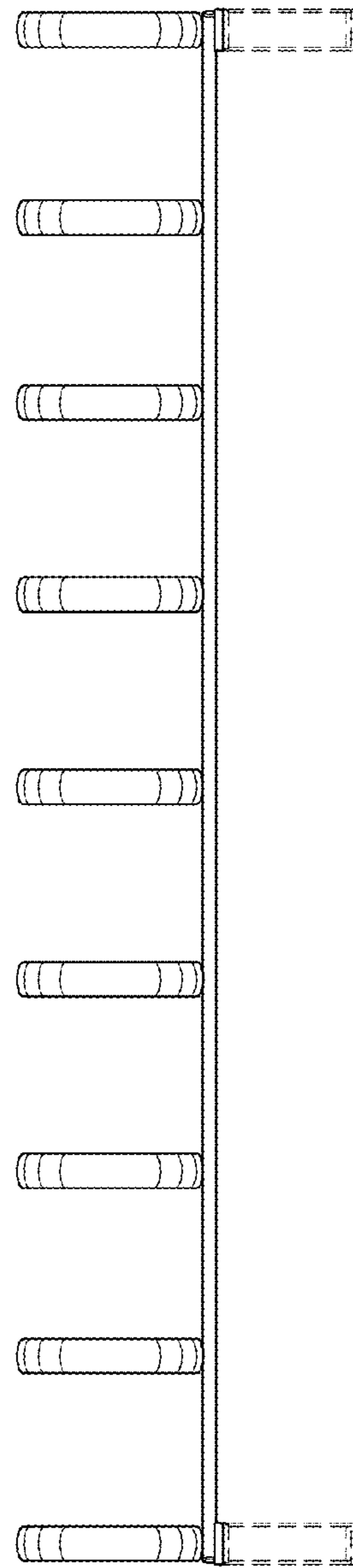


**FIG. 1**

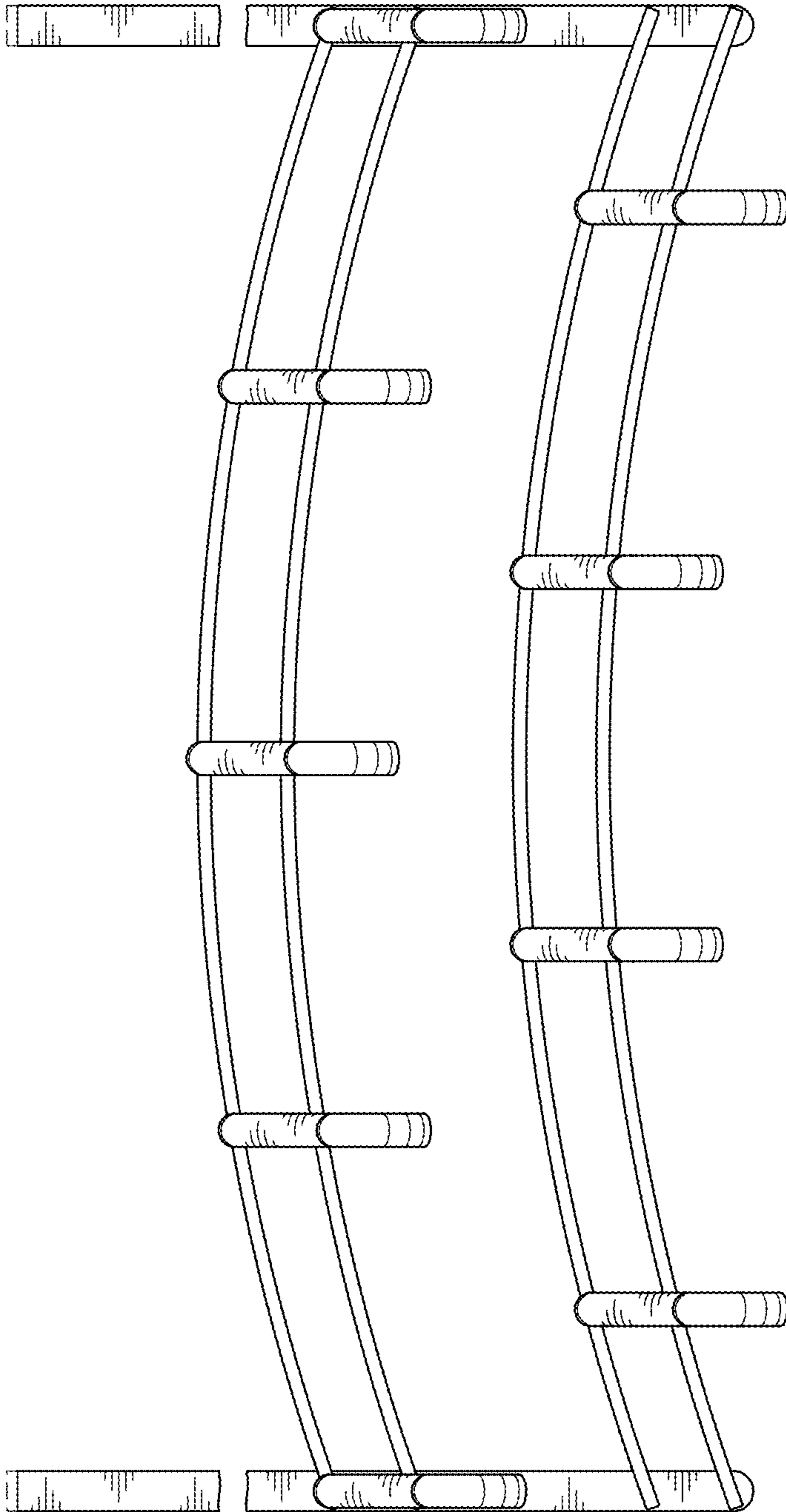




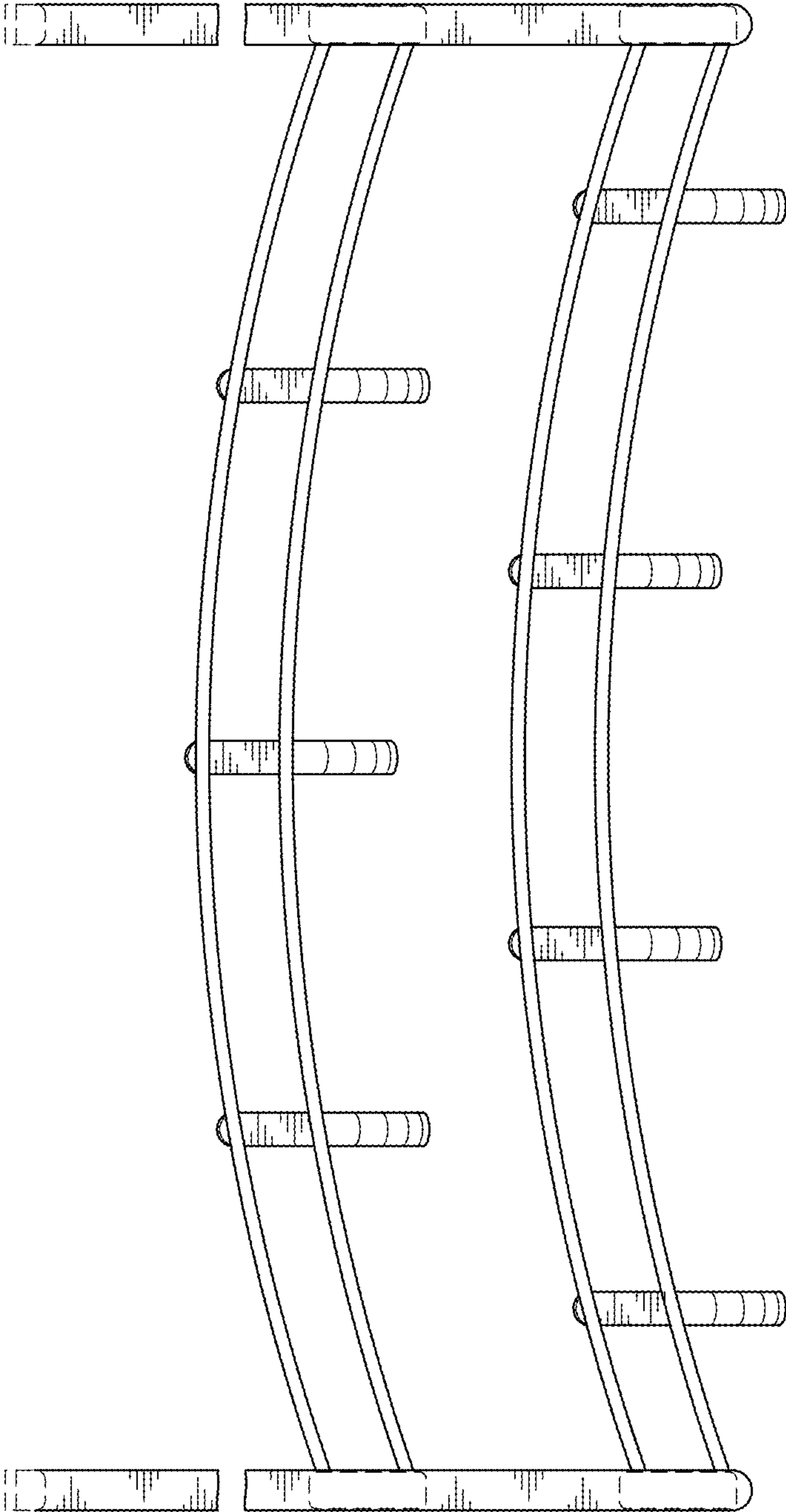
*FIG. 2*



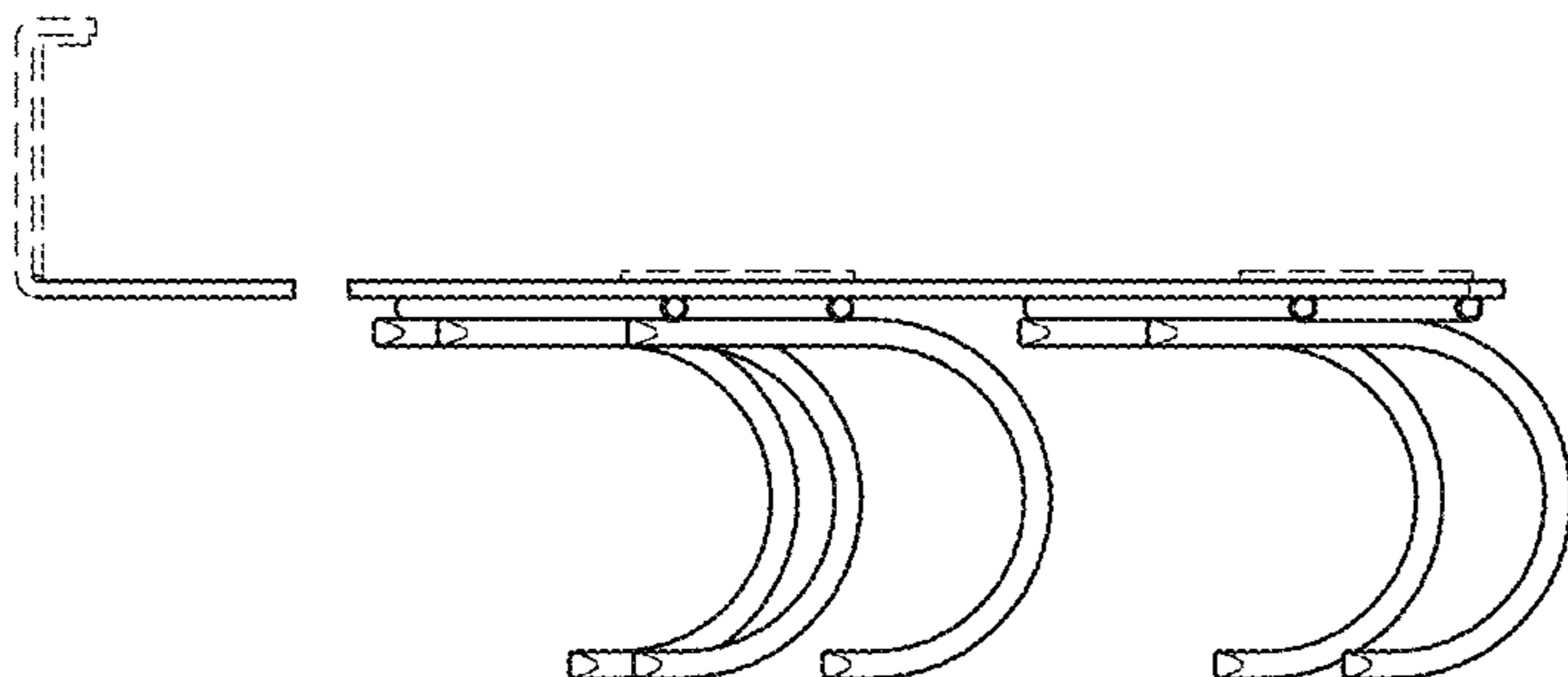
*FIG. 3*



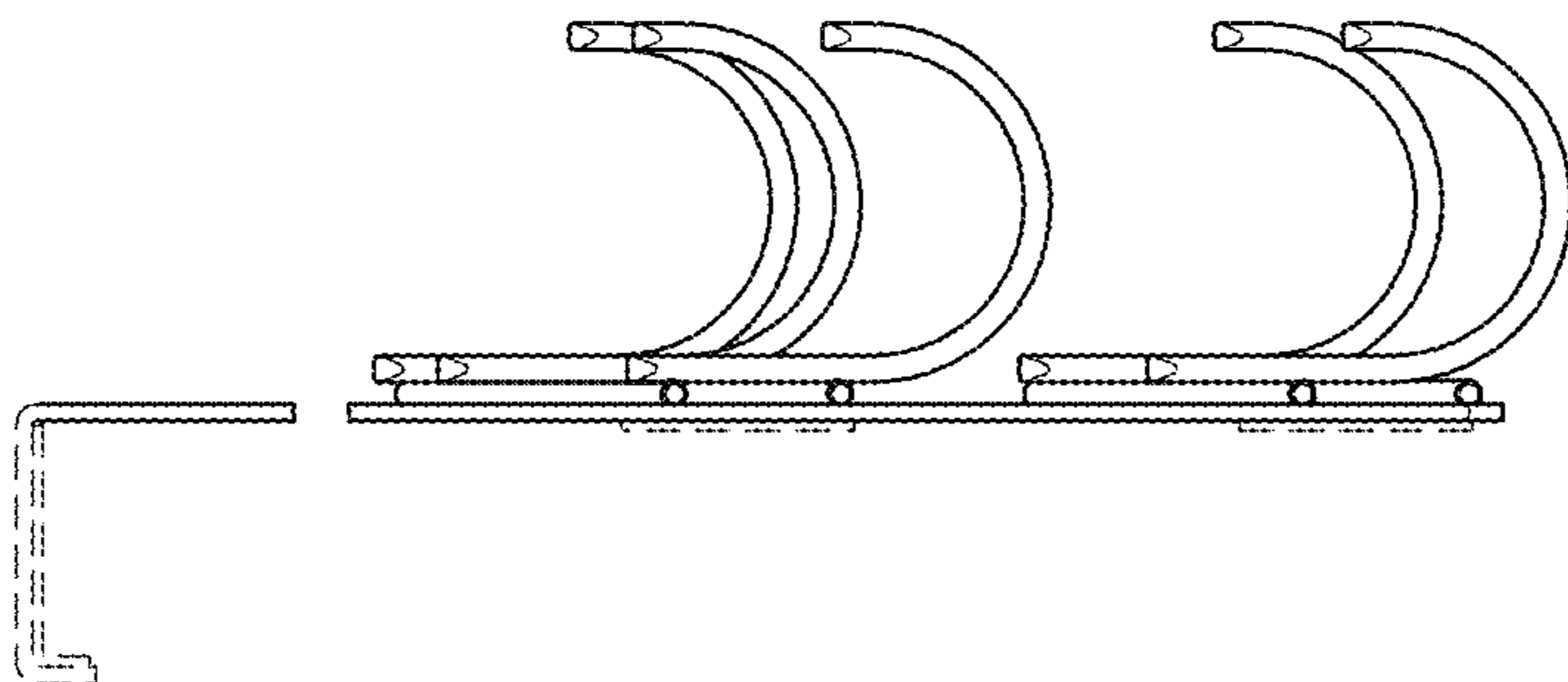
*FIG. 4*



*FIG. 5*



*FIG. 7*



*FIG. 6*