



US00D724850S

(12) **United States Design Patent**  
**Schuler**

(10) **Patent No.:** **US D724,850 S**  
(45) **Date of Patent:** **\*\* Mar. 24, 2015**

(54) **HAIR BRUSH**

FOREIGN PATENT DOCUMENTS

(71) Applicant: **Conair Corporation**, Stamford, CT  
(US)

JP 2009189560 A \* 8/2009  
KR 142558 9/1993

(Continued)

(72) Inventor: **Jason Scott Schuler**, New York, NY  
(US)

OTHER PUBLICATIONS

(73) Assignee: **Conair Corporation**, Stamford, CT  
(US)

Hong Kong Enterprise, Oct. 1999 Gifts & Stationary Section, Kai Fat  
Brush Factory Ltd. Hairbrushes, p. 7.

(Continued)

(\*\*) Term: **14 Years**

(21) Appl. No.: **29/494,466**

*Primary Examiner* — Melanie H Tung

*Assistant Examiner* — Lavone D Tabor

(22) Filed: **Jun. 20, 2014**

(74) *Attorney, Agent, or Firm* — Carter, DeLuca, Farrell &  
Schmidt, LLP

(51) **LOC (10) Cl.** ..... **04-02**

(52) **U.S. Cl.**

USPC ..... **D4/138; D4/133**

(58) **Field of Classification Search**

CPC ..... A46B 1/00; A46B 3/00; A46B 3/20;  
A46B 3/22; A46B 5/00; A46B 5/02; A46B  
5/021; A46B 5/023; A46B 5/025; A46B  
5/026; A46B 9/00; A46B 9/005; A46B 9/02;  
A46B 9/023; A46B 9/025; A46B 9/026;  
A46B 2200/00; A46B 2200/10; A46B  
2200/102; A46B 2200/104; A46B 2200/1093  
USPC ..... D4/104, 132-134, 136, 138; D7/393,  
D7/395, 401.2; D8/107, 303; D28/10, 28,  
D28/30; D30/158, 159; 15/143.1, 159.1,  
15/160, 186-188; 16/430; 119/600, 612,  
119/615, 625; 132/119.1, 120, 142, 313  
See application file for complete search history.

(57) **CLAIM**

The ornamental design for the hair brush, as shown and  
described.

**DESCRIPTION**

FIG. 1 is a top perspective view of the hair brush in accor-  
dance with the principles of the present disclosure;  
FIG. 2 is a bottom perspective view of the hair brush;  
FIG. 3 is a top plan view of the hair brush;  
FIG. 4 is a side elevation view of the hair brush;  
FIG. 5 is a front axial view of the hair brush;  
FIG. 6 is a bottom plan view of the hair brush; and,  
FIG. 7 is a rear axial view of the hair brush.  
The broken line immediately adjacent the shaded area near  
the distal end of the handle represents the bounds of the claim  
and forms no part thereof while all of the other broken lines on  
the handle and the broken lines showing the bristles illustrate  
portions of the hair brush that form no part of the claimed  
design.

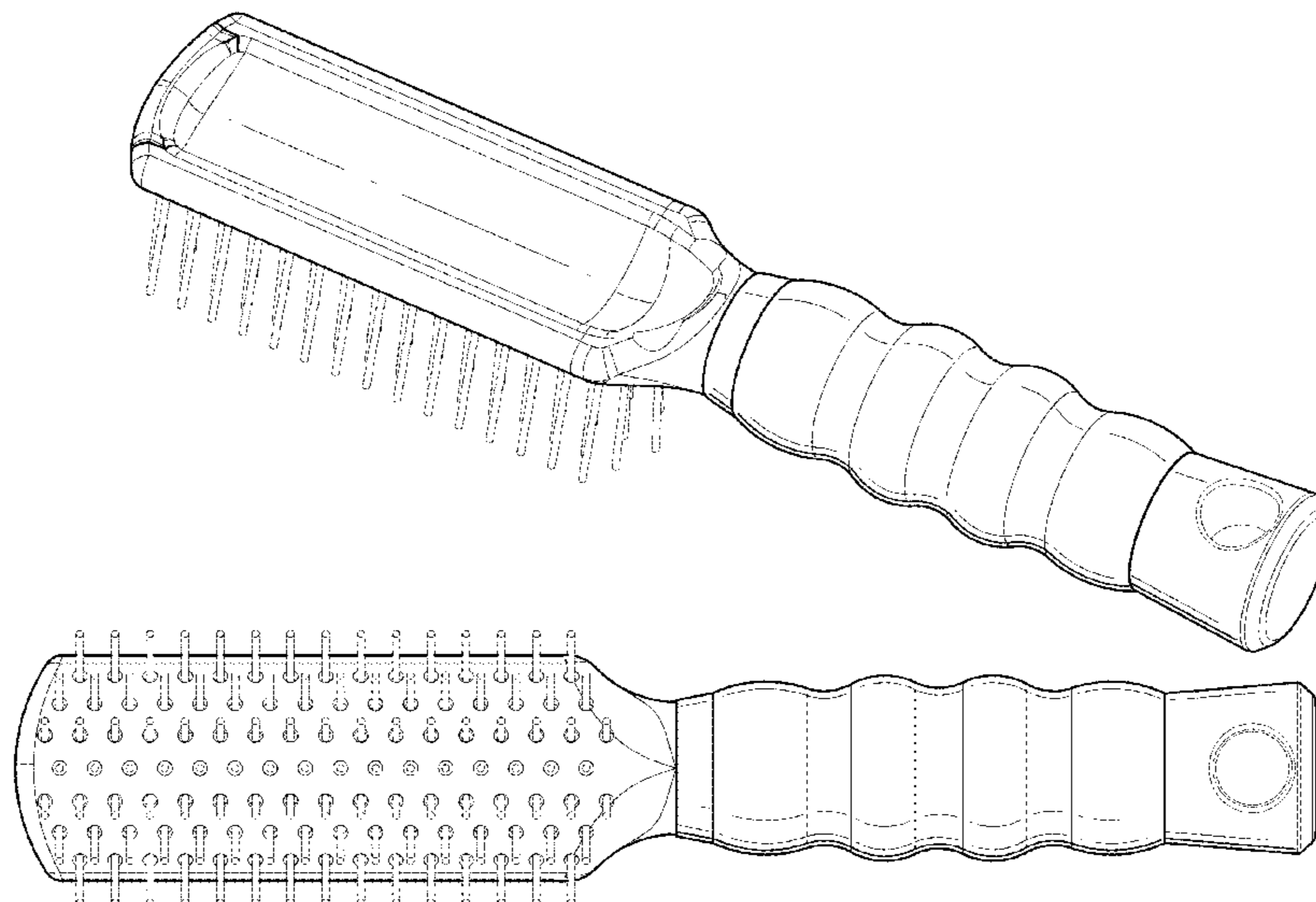
(56) **References Cited**

U.S. PATENT DOCUMENTS

D100,789 S 8/1936 O'Donoghue  
D134,720 S 1/1943 Herschensohn

(Continued)

**1 Claim, 4 Drawing Sheets**



(56)

**References Cited**

U.S. PATENT DOCUMENTS

D171,735 S 3/1954 Schotland  
 2,963,729 A \* 12/1960 Thonbo et al. .... 15/176.1  
 D206,527 S 12/1966 Montecalvo  
 5,815,877 A 10/1998 Heneveld  
 D417,553 S 12/1999 Davila  
 D434,910 S 12/2000 Kim  
 D435,172 S 12/2000 Hsieh  
 D438,056 S 2/2001 Lai  
 D453,077 S 1/2002 Chen  
 6,341,611 B1 1/2002 Nakamura  
 D455,560 S 4/2002 Kim  
 6,438,785 B1 8/2002 Smith  
 6,817,053 B2 11/2004 Nakamura  
 D504,572 S 5/2005 Kuo et al.  
 D507,681 S 7/2005 Choi et al.  
 D509,962 S 9/2005 Kampel et al.  
 D513,129 S 12/2005 Kampel et al.  
 D513,883 S 1/2006 Kampel et al.  
 D529,720 S 10/2006 Chang  
 7,210,186 B2 5/2007 Bigio  
 D543,704 S 6/2007 Leung

7,448,111 B2 11/2008 Bigio  
 D625,473 S 10/2010 Matz et al.  
 D627,974 S 11/2010 Chang  
 8,181,304 B1 5/2012 Kamath  
 D698,556 S 2/2014 Little  
 D709,705 S 7/2014 Brown

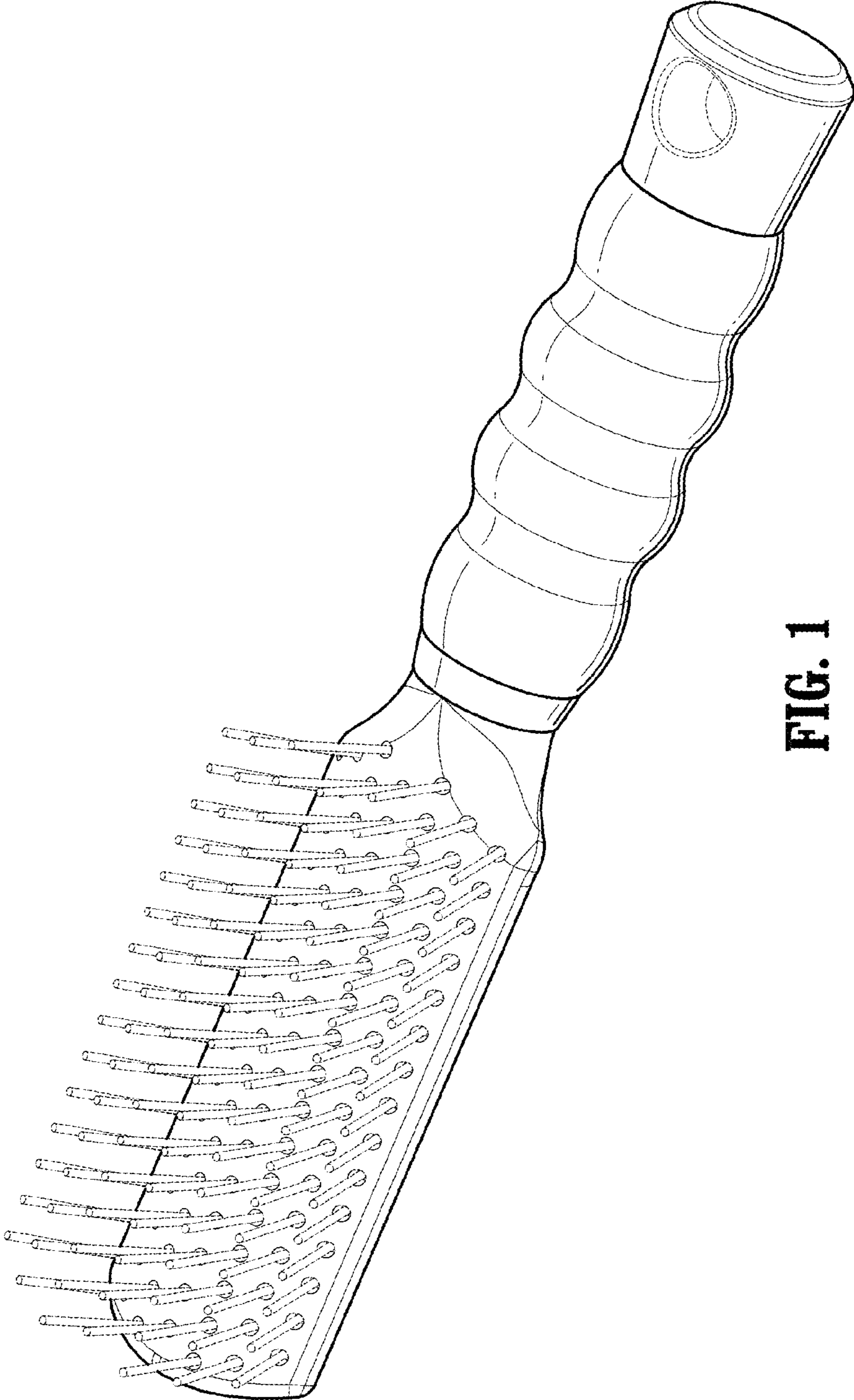
FOREIGN PATENT DOCUMENTS

KR 0224612 S 7/1998  
 KR 30-0257795 5/2000  
 KR 30-0348873 4/2004  
 KR 30-0513233 12/2008  
 KR 30-0736574 S 4/2014

OTHER PUBLICATIONS

Ningbo Tofine Machinery Co. Ltd., © 2009, [online], Products Page, Professional Brushes, Rubber Painting Handle Item No. 9595PI-2NR, [retrieved on Sep. 6, 2014] Retrieved from the Internet using Web Archive: <URL:http://web.archive.org/web/\*/http://www.kafat.com>.

\* cited by examiner



**FIG. 1**

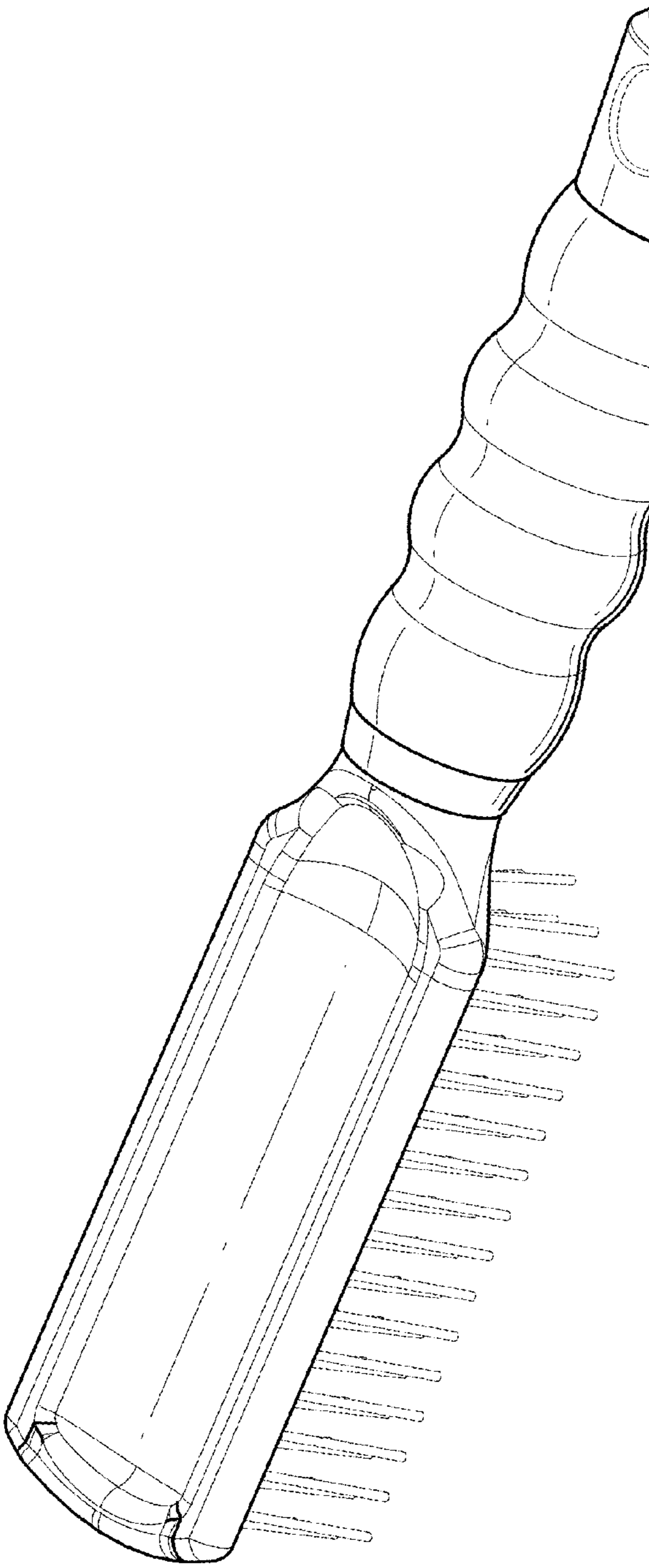


FIG. 2

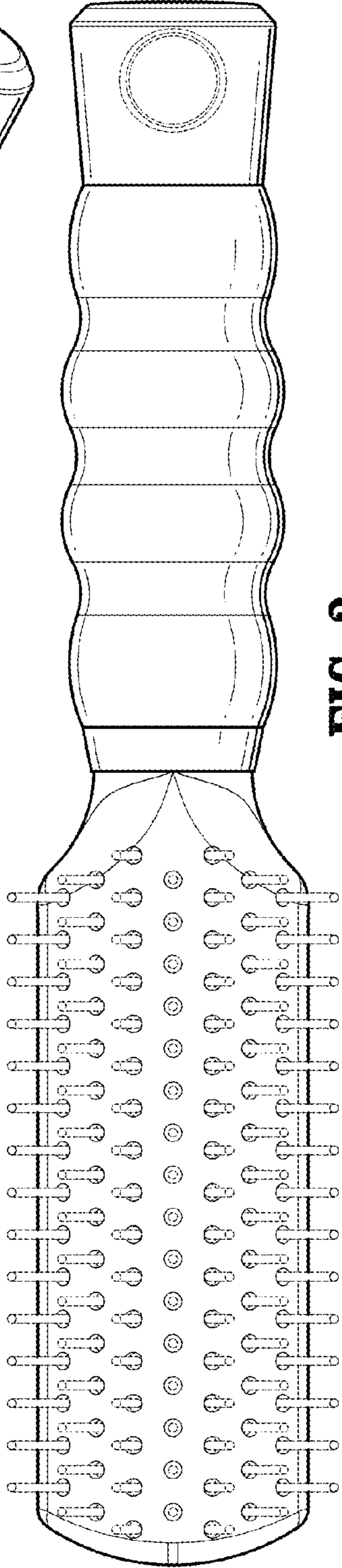
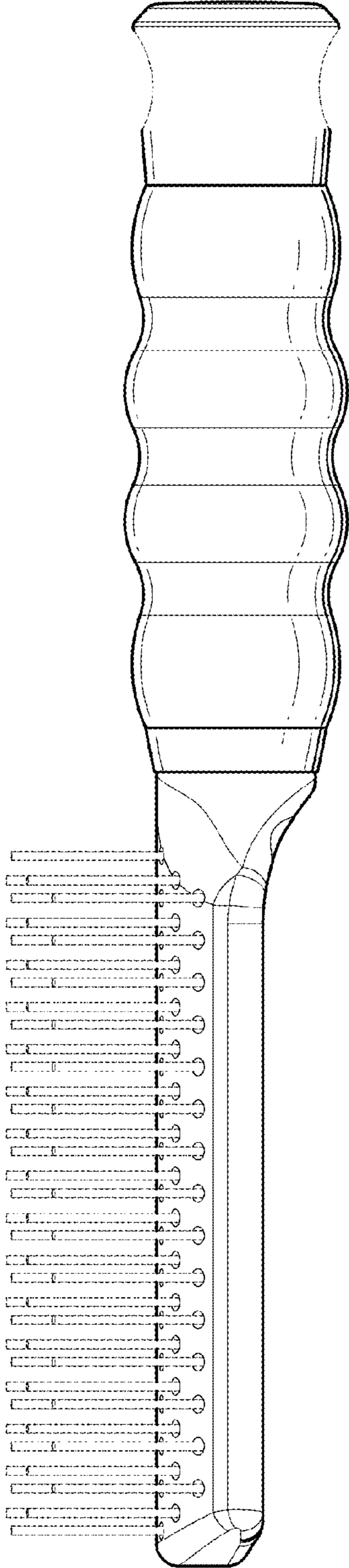
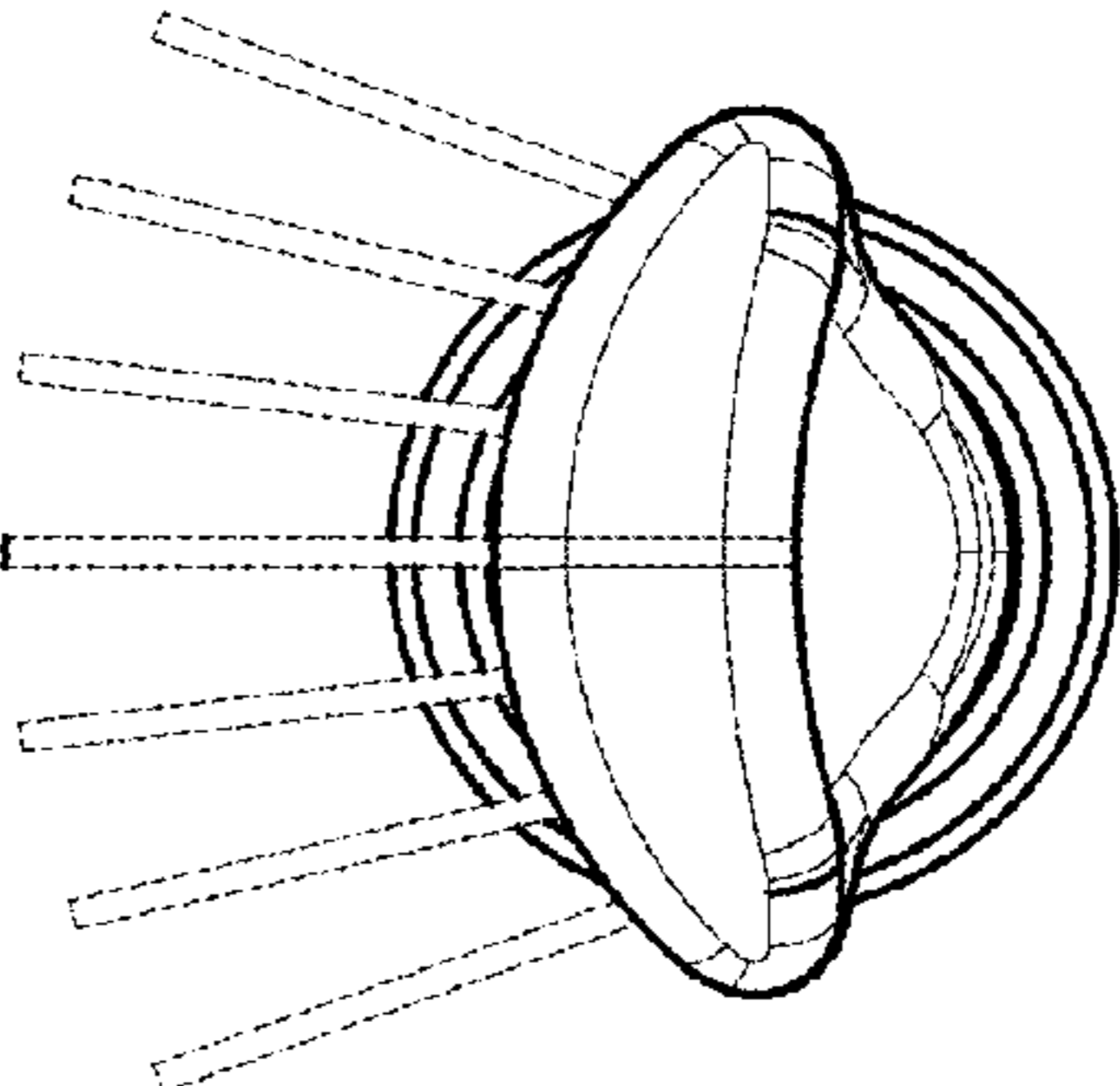


FIG. 3



**FIG. 4**



**FIG. 5**

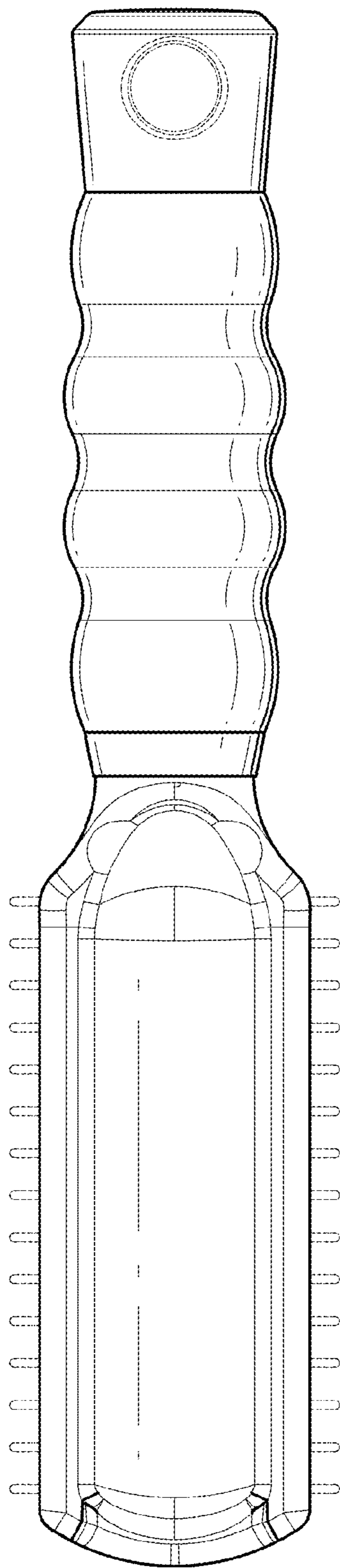


FIG. 6

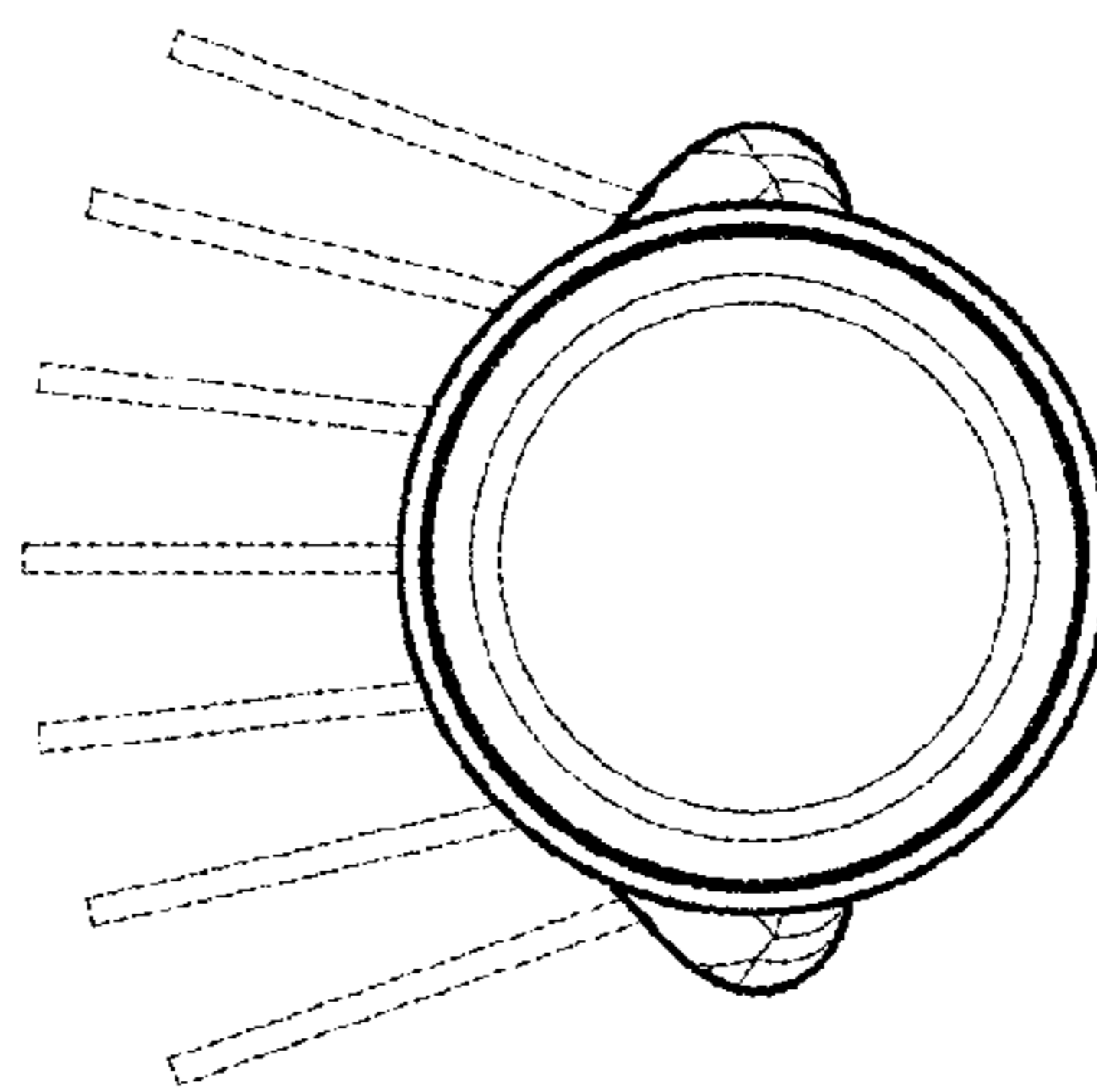


FIG. 7