



US00D724849S

(12) **United States Design Patent**
Schuler

(10) **Patent No.:** **US D724,849 S**
(45) **Date of Patent:** **** Mar. 24, 2015**

(54) **HAIR BRUSH**

(71) Applicant: **Conair Corporation**, Stamford, CT
(US)

(72) Inventor: **Jason Scott Schuler**, New York, NY
(US)

(73) Assignee: **Conair Corporation**, Stamford, CT
(US)

(**) Term: **14 Years**

(21) Appl. No.: **29/494,434**

(22) Filed: **Jun. 20, 2014**

(51) **LOC (10) Cl.** **04-02**
(52) **U.S. Cl.**

USPC **D4/138; D4/133**

(58) **Field of Classification Search**

CPC A46B 1/00; A46B 3/00; A46B 3/20;
A46B 3/22; A46B 5/00; A46B 5/02; A46B
5/021; A46B 5/023; A46B 5/025; A46B
5/026; A46B 9/00; A46B 9/005; A46B 9/02;
A46B 9/023; A46B 9/025; A46B 9/026;
A46B 2200/00; A46B 2200/10; A46B
2200/102; A46B 2200/104; A46B 2200/1093
USPC D4/104, 132-134, 136, 138; D7/393,
D7/395, 401.2; D8/107, 303; D28/10, 28,
D28/30; D30/158, 159; 15/143.1, 159.1,
15/160, 186-188; 16/430; 119/600, 612,
119/615, 625; 132/119.1, 120, 142, 313

See application file for complete search history.

(56) **References Cited**

U.S. PATENT DOCUMENTS

D20,175 S * 9/1890 Fuchs et al. D4/124
D36,627 S * 11/1903 Turton D4/124

(Continued)

FOREIGN PATENT DOCUMENTS

EP 882414 A2 12/1998
JP 1268901 S * 4/2006

(Continued)

OTHER PUBLICATIONS

EM 001194484-0002 Registered Design, (Royal King Ltd.) Mar. 12, 2010, [online], [retrieved on Apr. 7, 2013] Retrieved from the Community Design Database of the Office for Harmonization in the Internal Market using the Internet: <URL: http://oami.europa.eu>.*

(Continued)

Primary Examiner — Melanie H Tung
Assistant Examiner — Lavone D Tabor

(74) *Attorney, Agent, or Firm* — Carter, DeLuca, Farrell & Schmidt, LLP

(57) **CLAIM**

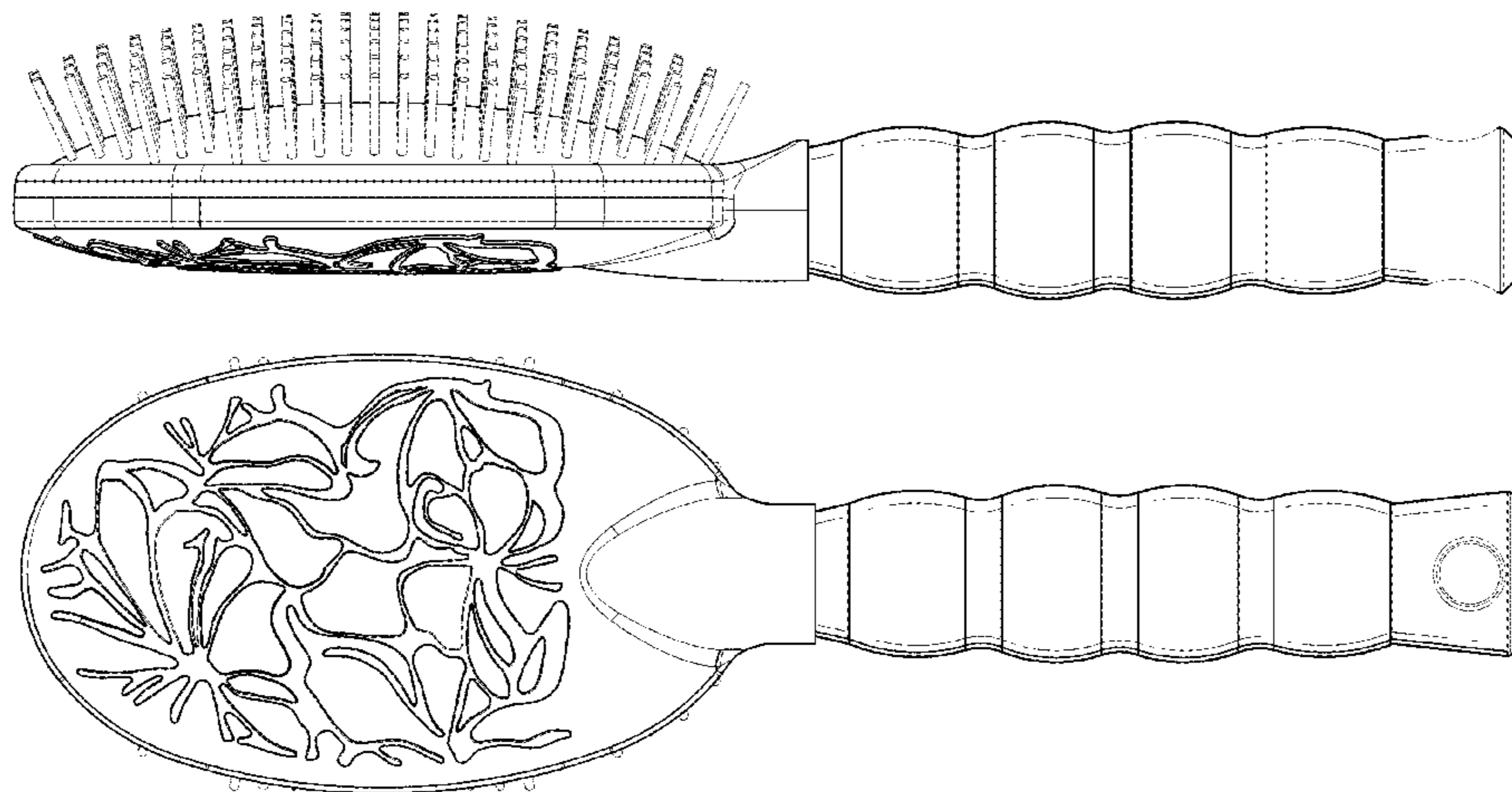
The ornamental design for the hair brush, as shown and described.

DESCRIPTION

FIG. 1 is a perspective view of the hair brush in accordance with the principles of the present disclosure; FIG. 2 is a left side elevation view of the hair brush; FIG. 3 is a right side elevation view of the hair brush; FIG. 4 is a top plan view of the hair brush; FIG. 5 is a rear axial view of the hair brush; FIG. 6 is a rear plan view of the hair brush; FIG. 7 is a front axial view of the hair brush; FIG. 8 is a perspective view of an alternate embodiment of the hair brush; FIG. 9 is a left side elevation view of the hair brush of FIG. 8; FIG. 10 is a right side elevation view of the hair brush of FIG. 8; FIG. 11 is a top plan view of the hair brush of FIG. 8; FIG. 12 is a rear axial view of the hair brush of FIG. 8; FIG. 13 is a rear plan view of the hair brush of FIG. 8; and, FIG. 14 is a front axial view of the hair brush of FIG. 8.

The broken line immediately adjacent the shaded area near the distal end of the handle represents the bounds of the claim and forms no part thereof while all of the other broken lines on the handle and the broken lines showing the bristles illustrate portions of the hair brush that form no part of the claimed design. The broken line showing of the raised design on the rear of the head in FIGS. 9, 10, and 12-14 illustrates a portion of the hair brush that forms no part of the second embodiment.

1 Claim, 8 Drawing Sheets



(56)

References Cited

U.S. PATENT DOCUMENTS

D206,527 S 12/1966 Montecalvo
D365,687 S 1/1996 Gertsma et al.
D438,056 S 2/2001 Lai
D453,077 S 1/2002 Chen
D461,961 S * 8/2002 Chen D4/125
6,817,053 B2 11/2004 Nakamura
D504,234 S 4/2005 Kuo et al.
D507,681 S 7/2005 Choi et al.
D509,363 S 9/2005 Kampel et al.
D529,720 S 10/2006 Chang
7,210,186 B2 5/2007 Bigio
D543,705 S 6/2007 Leung
7,448,111 B2 11/2008 Bigio
7,690,733 B2 4/2010 Spitale et al.
D625,473 S 10/2010 Matz et al.
D627,974 S 11/2010 Chang
D637,818 S 5/2011 Mercier
8,595,885 B1 12/2013 Weinstein

8,627,537 B2 1/2014 Mercier
D713,151 S * 9/2014 Jimenez et al. D4/104
2013/0055518 A1 3/2013 Jacob et al.

FOREIGN PATENT DOCUMENTS

KR 211961 S 4/1998
KR 30-0405488 S 2/2006
KR 30-0736574 S 4/2014

OTHER PUBLICATIONS

Hong Kong Enterprise, Oct. 1999 Gifts & Stationary Section, Kai Fat Brush Factory Ltd., Hairbrushes, p. 7.
Ningbo Tofine Machinery Co., Ltd., © 2009, [online], Products Page, Professional Brushes, Rubber Painting Handle Item Nos. 9586P1-2NR & 9551P1-2NR [retrieved on Sep. 6, 2014] Retrieved from the Internet using Web Archive: <URL: http://web.archive.org/web/*/http://www.kaifat.com>.

* cited by examiner

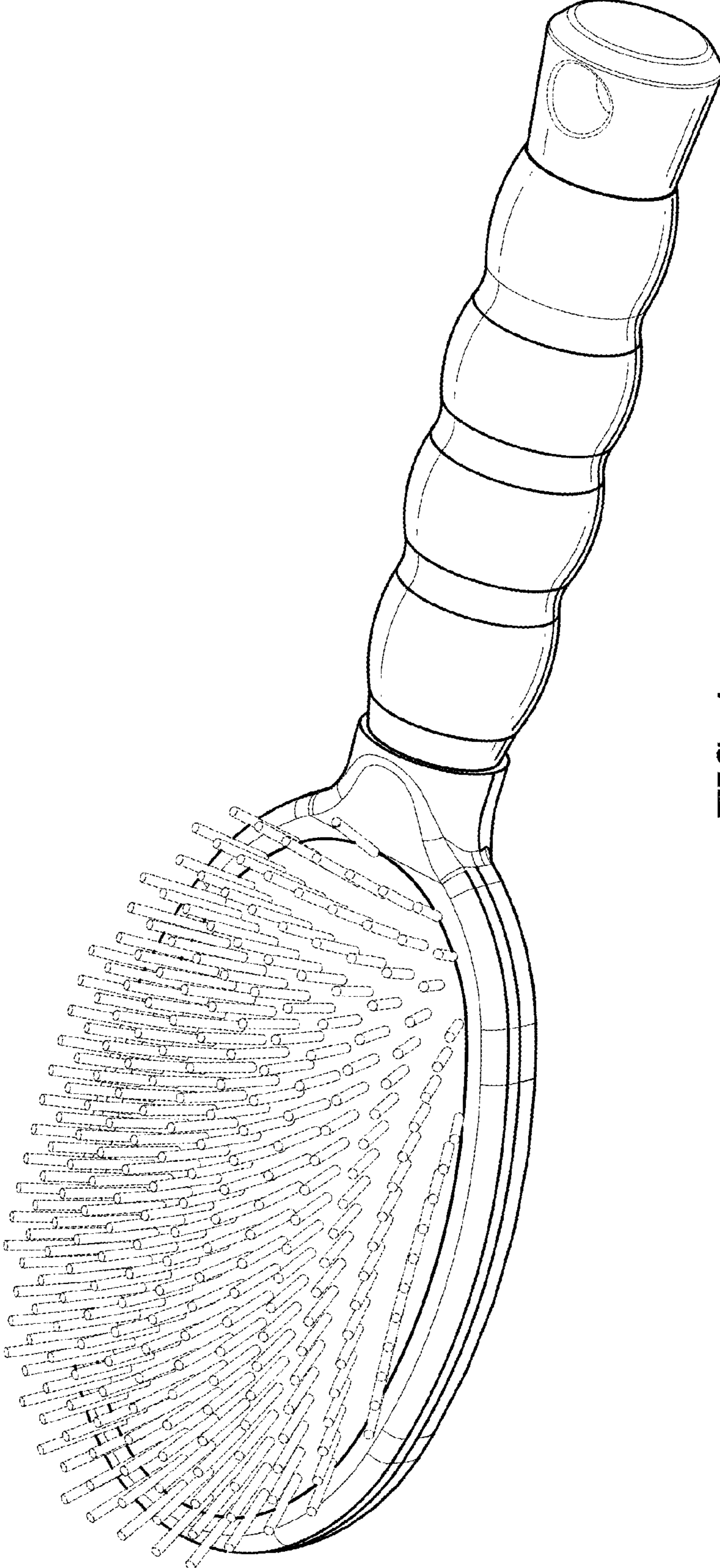


FIG. 1

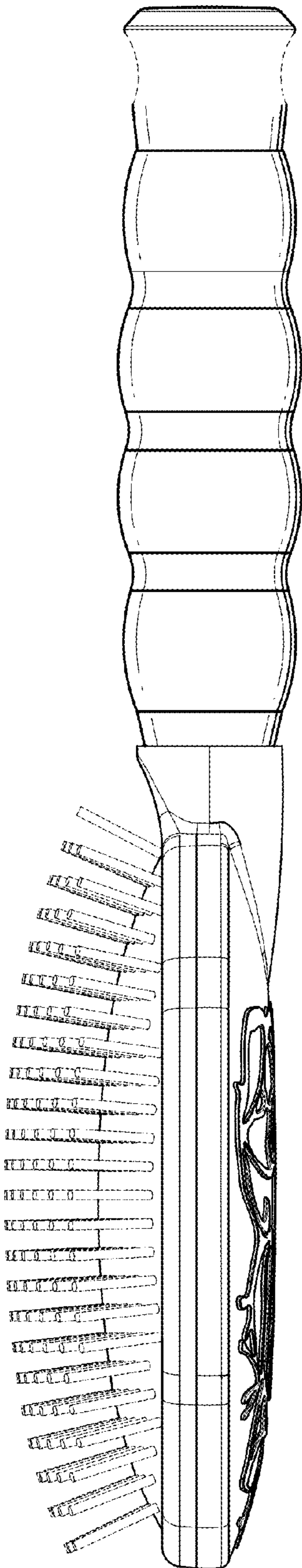


FIG. 2

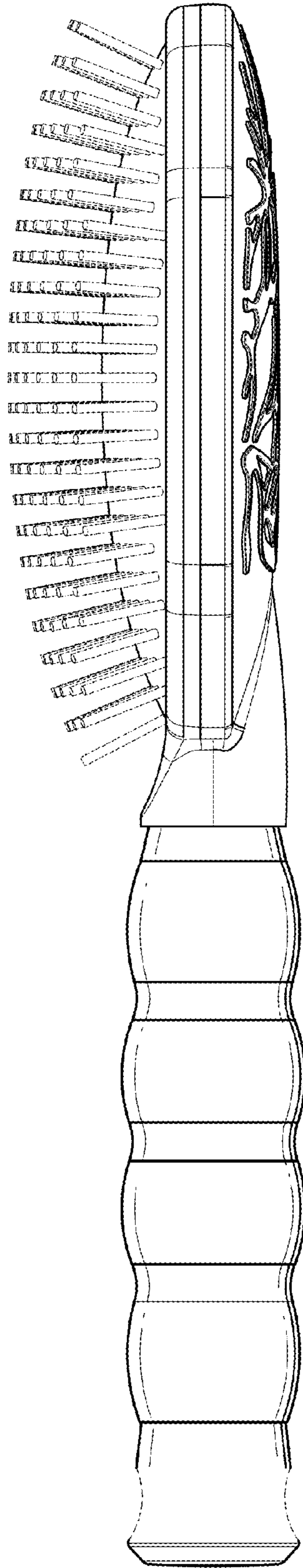


FIG. 3

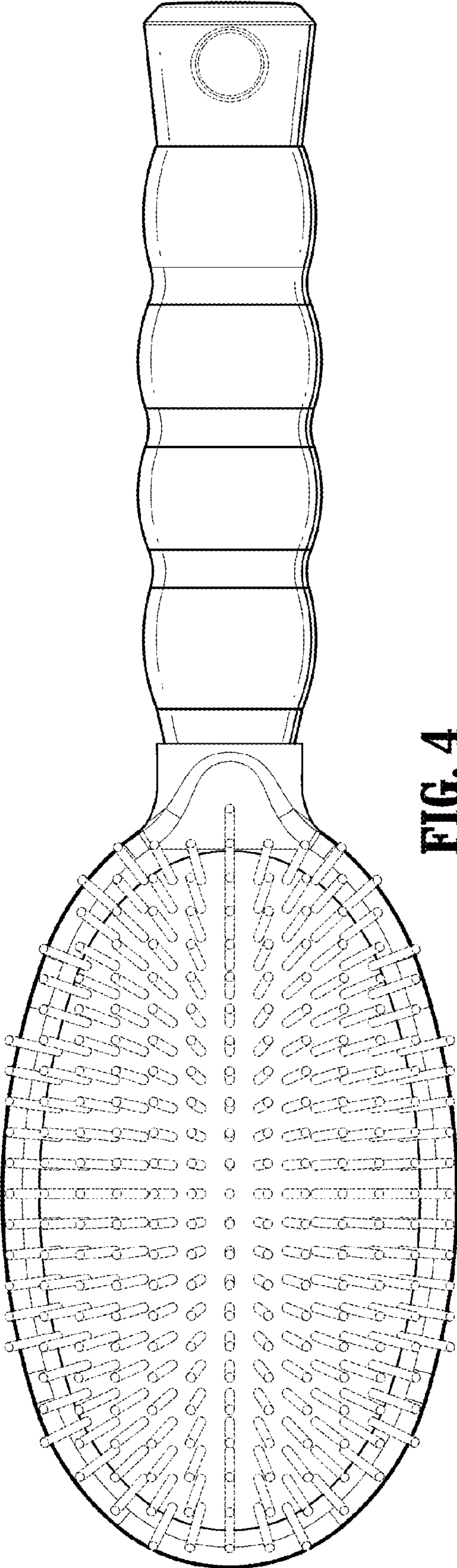


FIG. 4

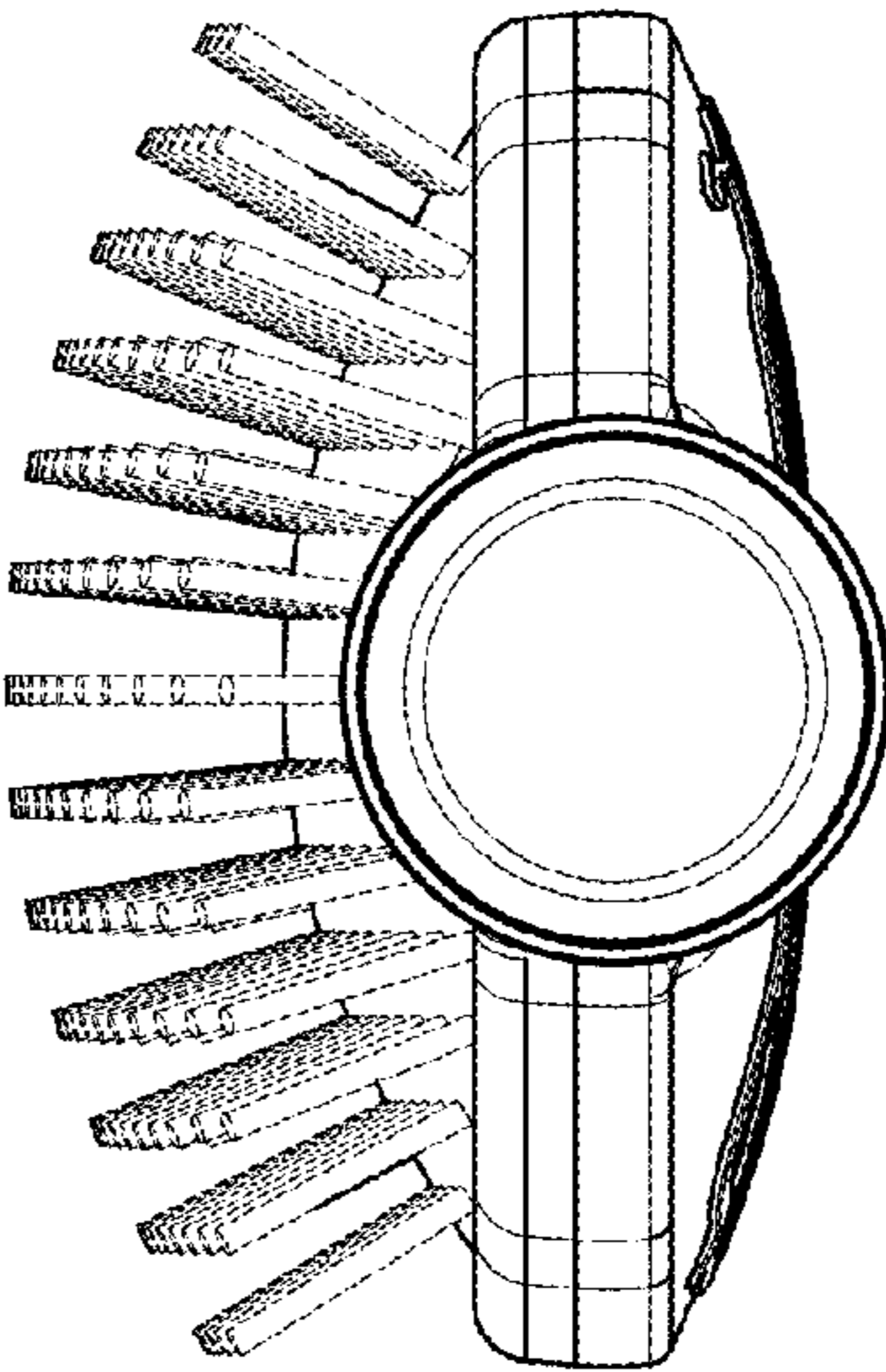


FIG. 5

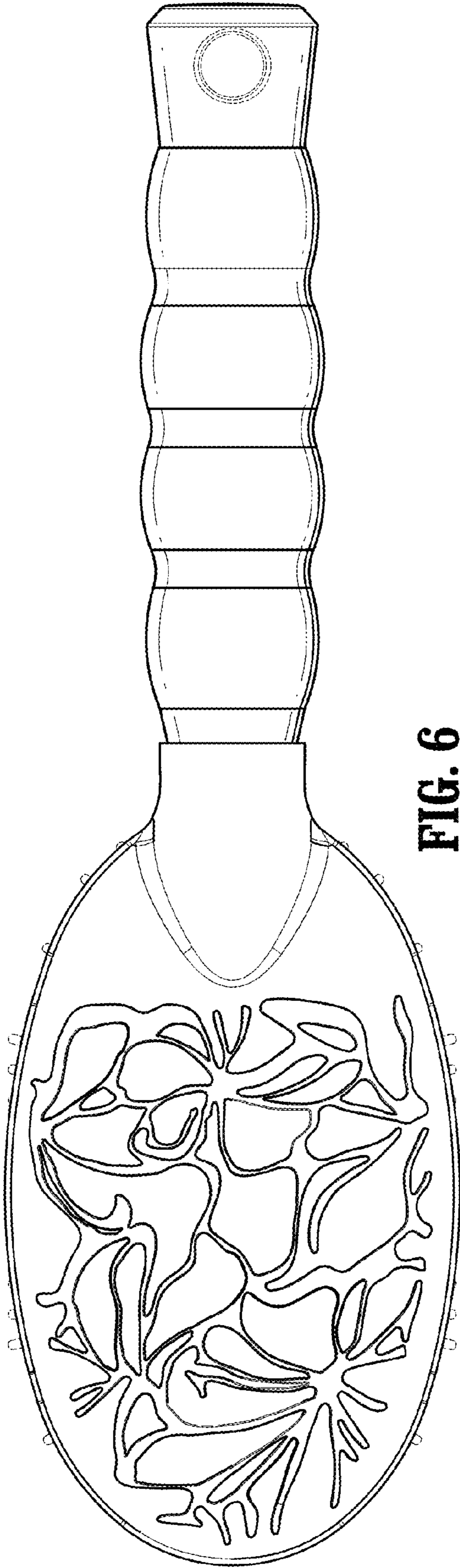


FIG. 6

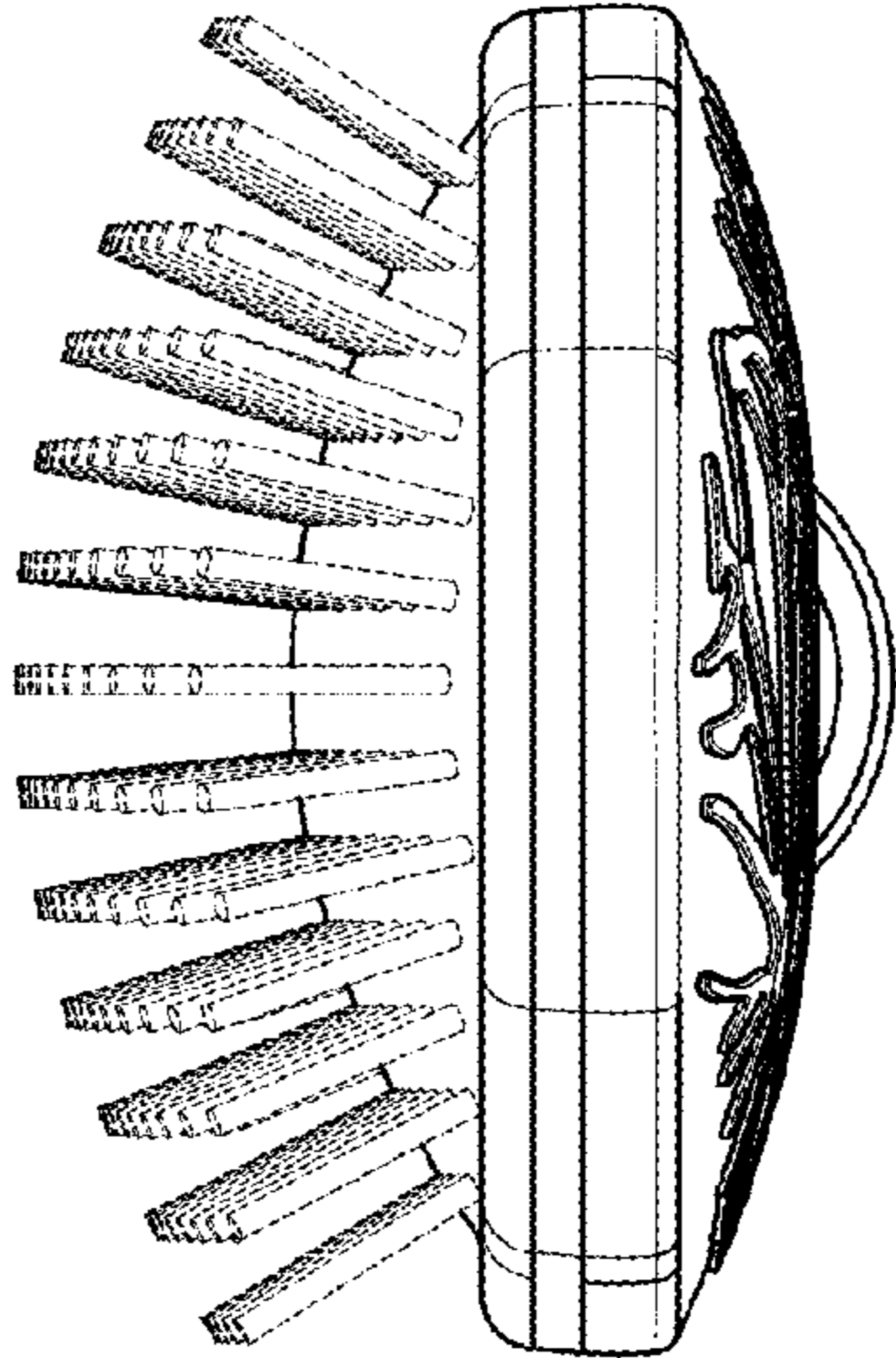


FIG. 7

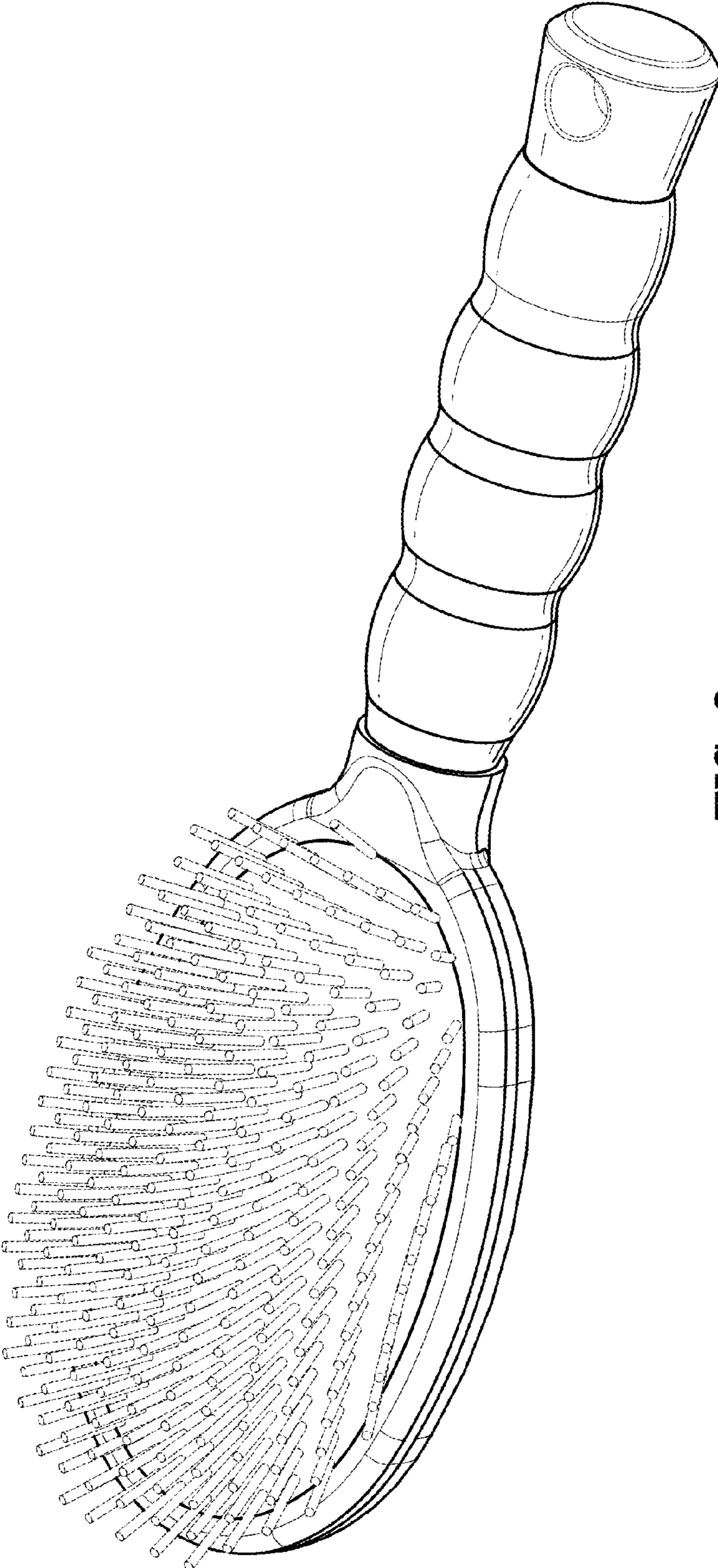


FIG. 8

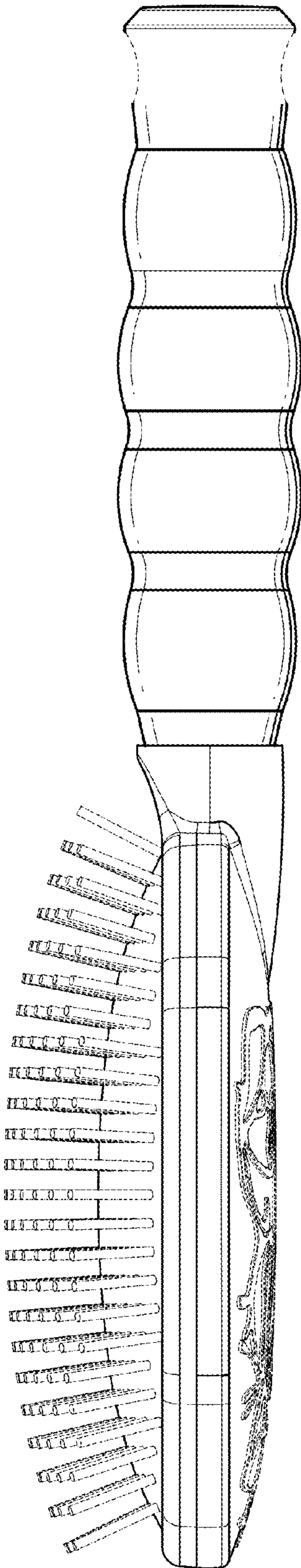


FIG. 9

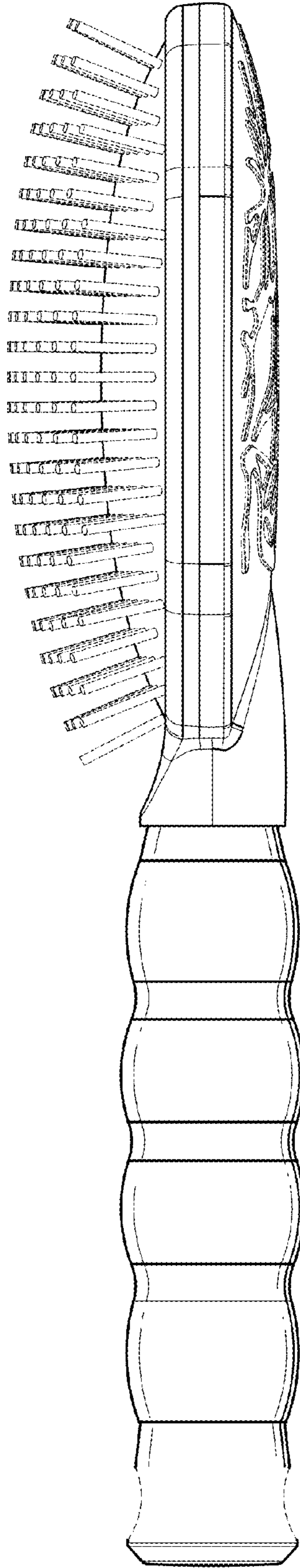


FIG. 10

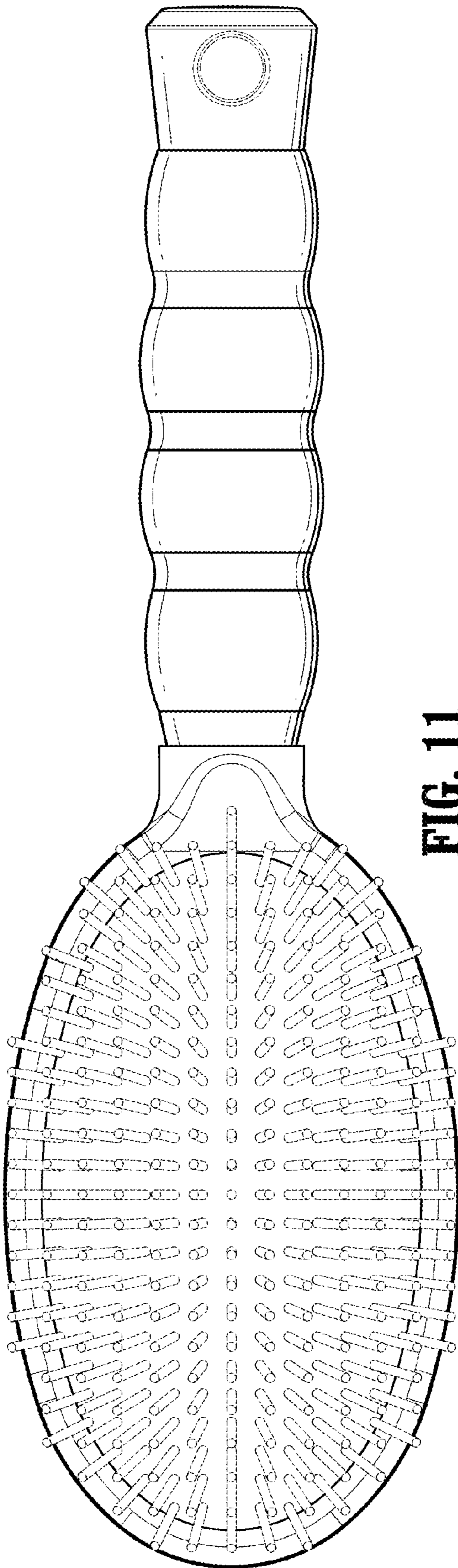


FIG. 11

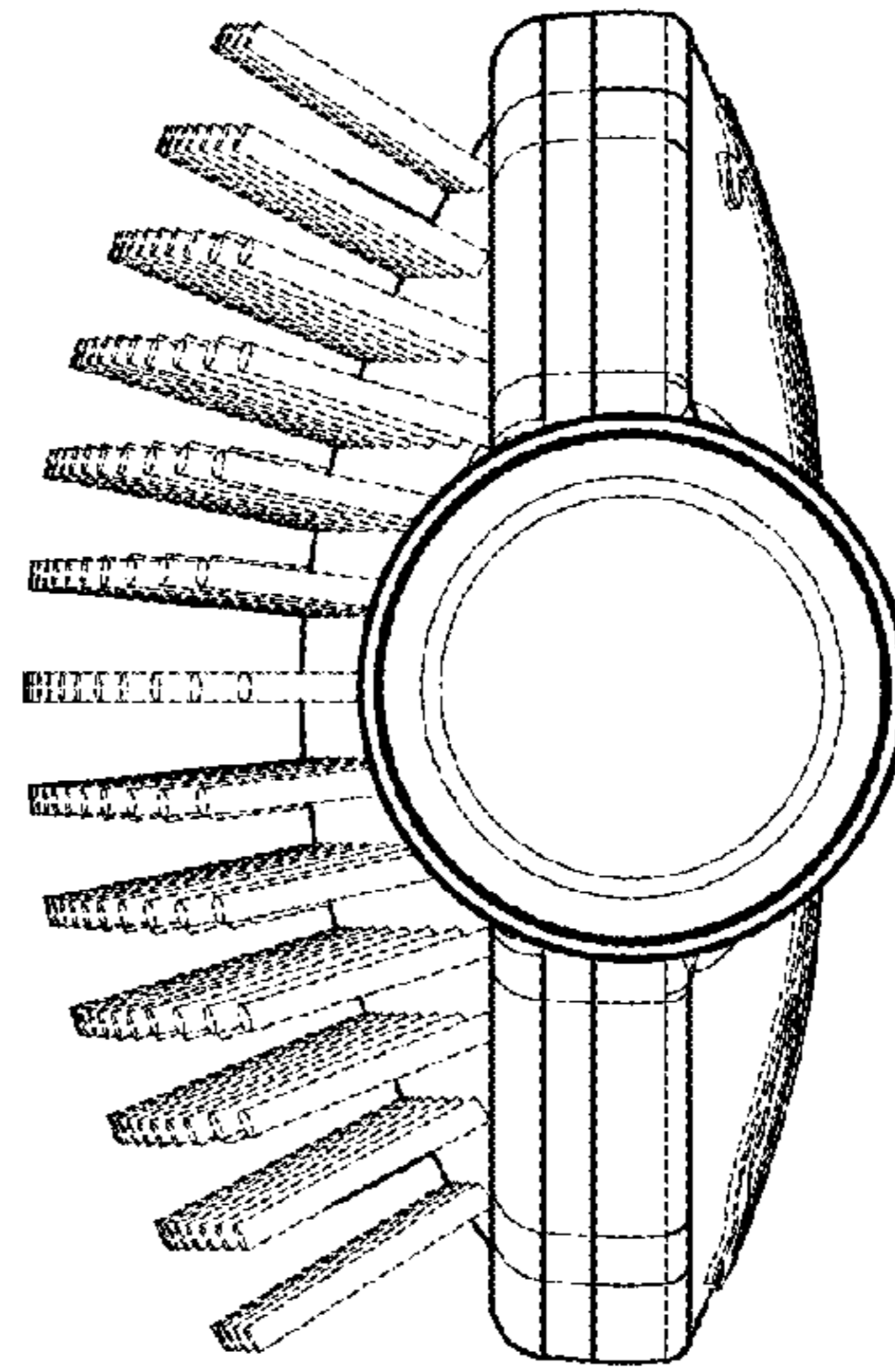


FIG. 12

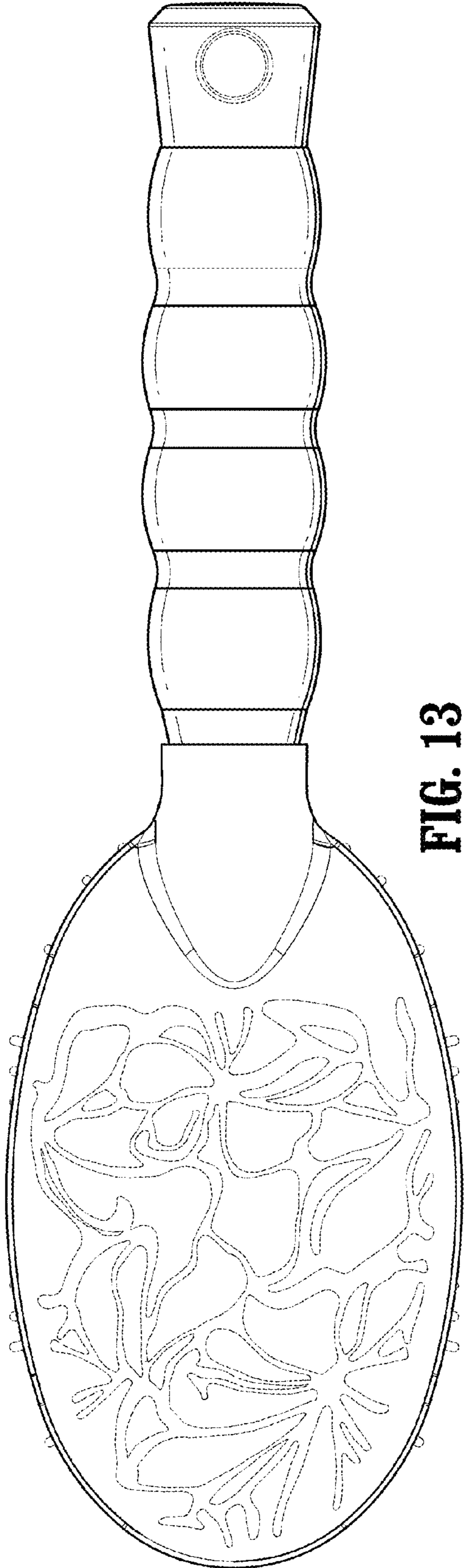


FIG. 13

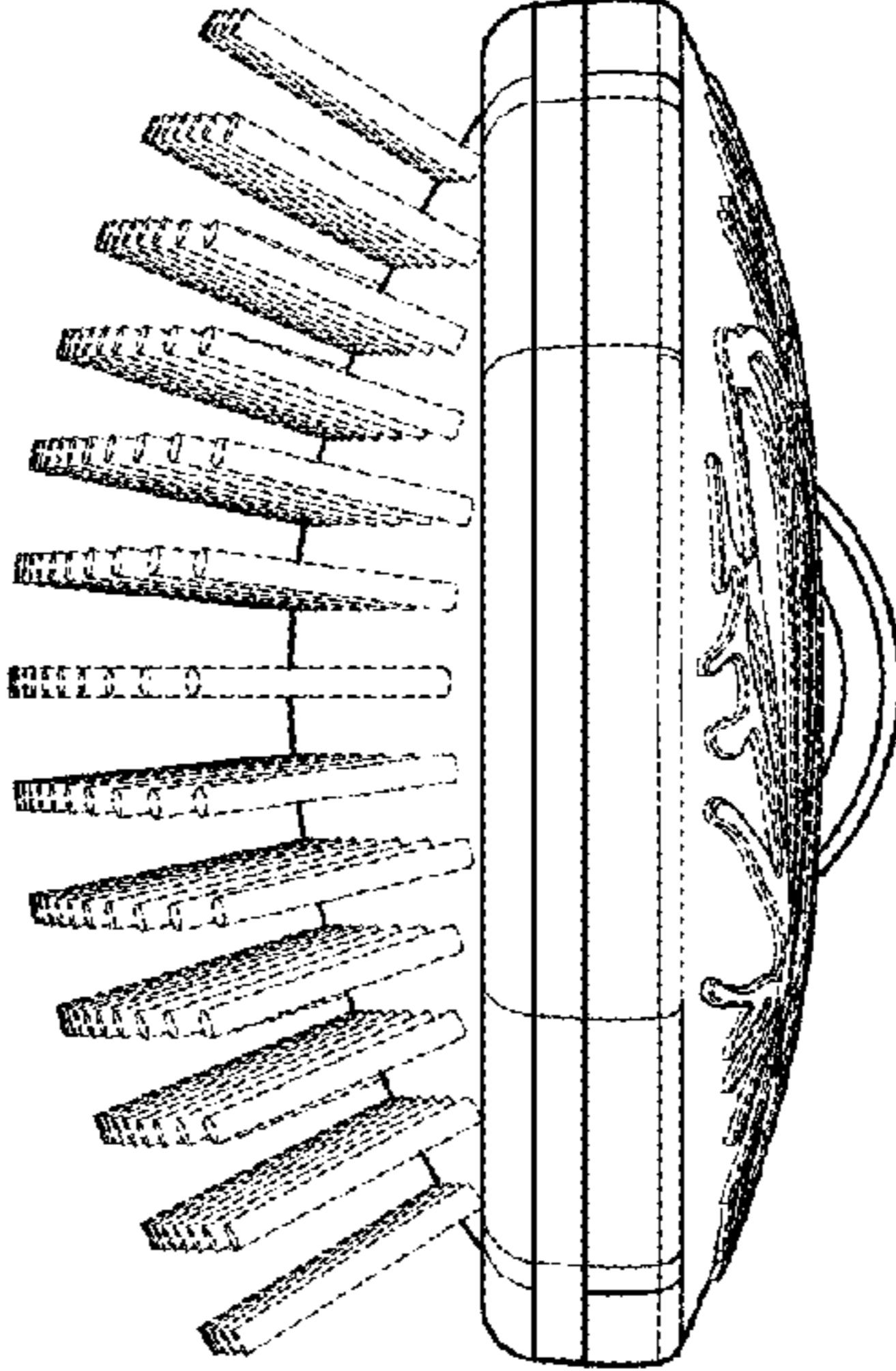


FIG. 14