



US00D724842S

(12) **United States Design Patent**  
**Whalen**

(10) **Patent No.:** **US D724,842 S**  
(45) **Date of Patent:** **\*\* Mar. 24, 2015**

(54) **UTILITY BOX**

(71) Applicant: **Plano Molding Company**, Plano, IL  
(US)

(72) Inventor: **John Whalen**, Sheridan, IL (US)

(73) Assignee: **Plano Molding Company**, Plano, IL  
(US)

(\*\*) Term: **14 Years**

5,475,943	A	12/1995	Hodges	
D465,330	S *	11/2002	Parker	D3/273
7,168,204	B2	1/2007	Wieringa et al.	
7,219,969	B2	5/2007	Bezzubov	
7,278,234	B2	10/2007	Marino	
D600,912	S *	9/2009	Brunner	D3/291
7,748,158	B2	7/2010	Wieringa et al.	
D629,199	S *	12/2010	Minneman	D3/274
D641,160	S *	7/2011	Minneman	D3/274
D650,585	S *	12/2011	Jamison et al.	D3/294
D659,396	S *	5/2012	Hsu	D3/294
D660,440	S *	5/2012	Roehrig et al.	D24/194
2002/0079313	A1	6/2002	Grayson	

(21) Appl. No.: **29/478,105**

**FOREIGN PATENT DOCUMENTS**

(22) Filed: **Dec. 31, 2013**

WO	WO 01/56377	8/2001
WO	WO 2007/083392	7/2007

(51) **LOC (10) Cl.** ..... **03-01**

(52) **U.S. Cl.**

\* cited by examiner

USPC ..... **D3/294**

(58) **Field of Classification Search**

CPC ..... B65D 21/04; B65D 21/02; B65D 6/28

USPC ..... D3/285, 289, 294; 206/503-507, 576,

206/235, 701

See application file for complete search history.

*Primary Examiner* — Holly Baynham

(74) *Attorney, Agent, or Firm* — McGuireWoods LLP

(57) **CLAIM**

The ornamental design for a utility box, as shown and described.

(56) **References Cited**

**DESCRIPTION**

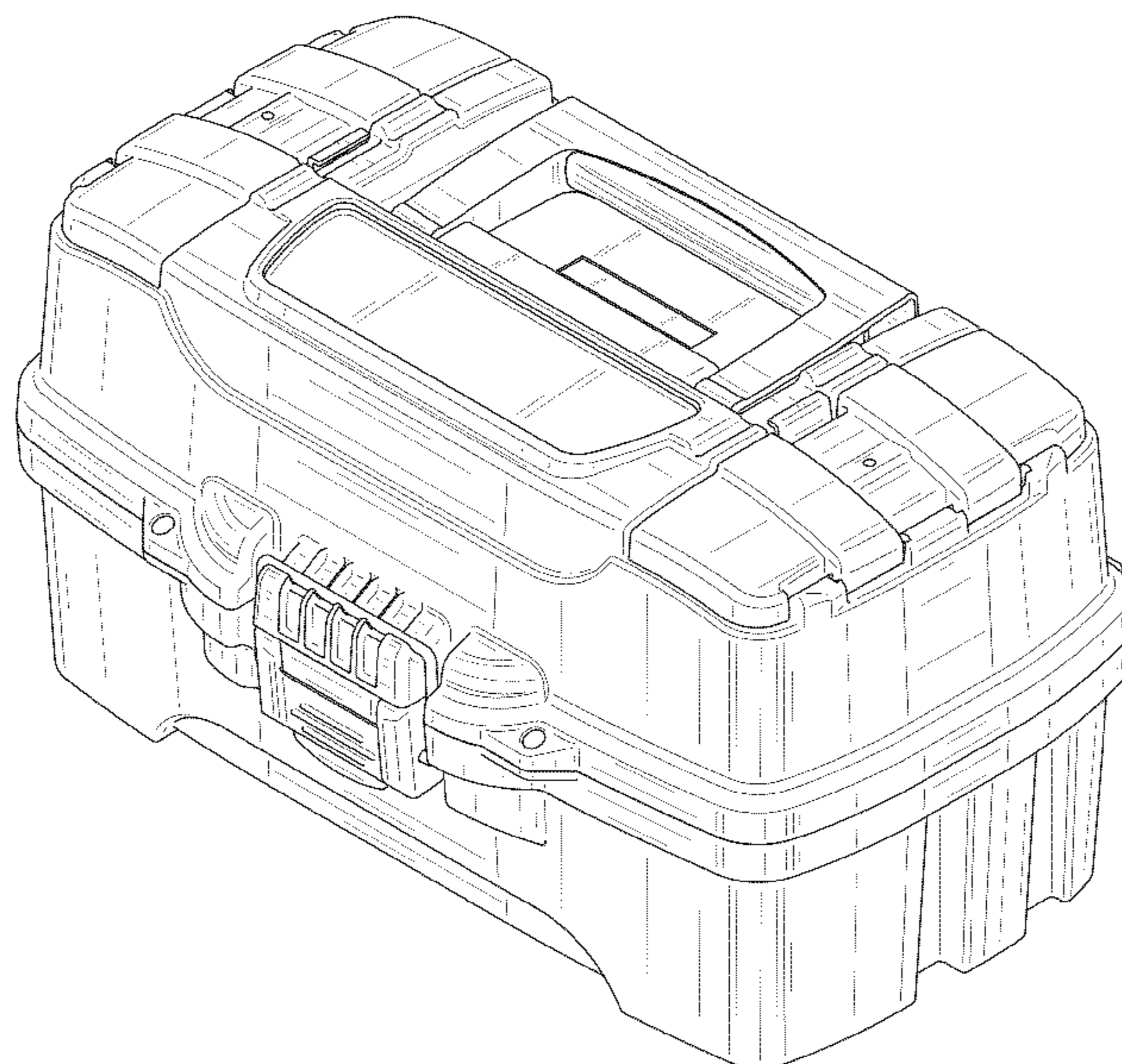
**U.S. PATENT DOCUMENTS**

1,577,566	A	3/1926	Cryder
2,629,644	A	2/1953	Heys
3,301,619	A	1/1967	Mead
3,330,608	A	7/1967	Druger, Jr.
3,606,511	A	9/1971	Henning
3,948,579	A	4/1976	Schirmer
3,985,409	A	10/1976	Kneier
4,118,086	A	10/1978	Kneier
4,765,470	A	8/1988	Curci
4,782,619	A	11/1988	Richards
5,176,281	A	1/1993	Fiore
5,205,429	A	4/1993	Coldren et al.
5,426,885	A	6/1995	Wittman

FIG. 1 is a right-front perspective view of the utility box; FIG. 2 is a front view of the utility box shown in FIG. 1; FIG. 3 is a rear view of the utility box shown in FIG. 1; FIG. 4 is a left-side view of the utility box shown in FIG. 1; FIG. 5 is a right-side view of the utility box shown in FIG. 1; FIG. 6 is a top view of the utility box shown in FIG. 1; and, FIG. 7 is a bottom view of the utility box shown in FIG. 1.

The broken lines showing stitching are for the purposes of illustrating environment and form no part of the claimed design.

**1 Claim, 7 Drawing Sheets**



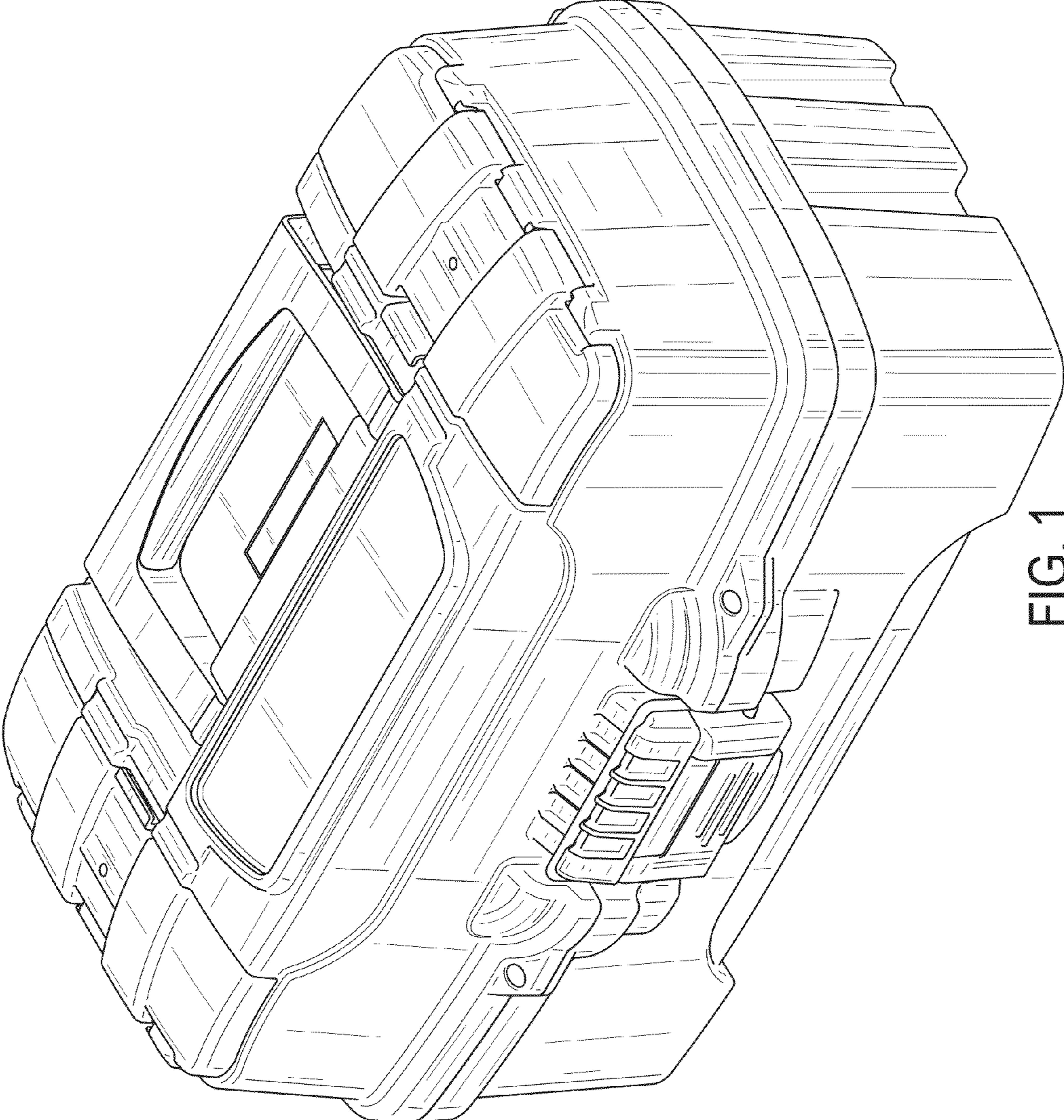


FIG. 1

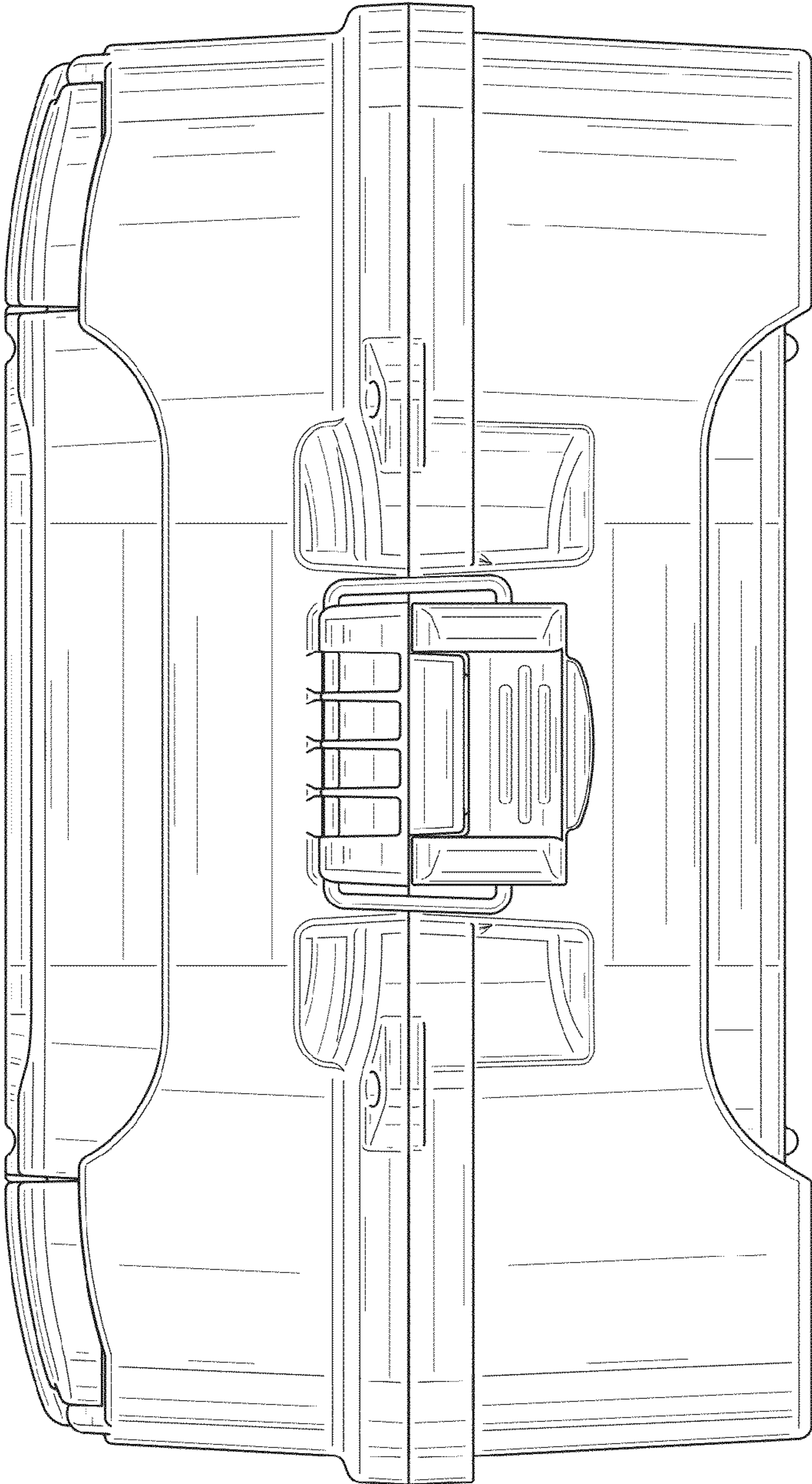


FIG. 2

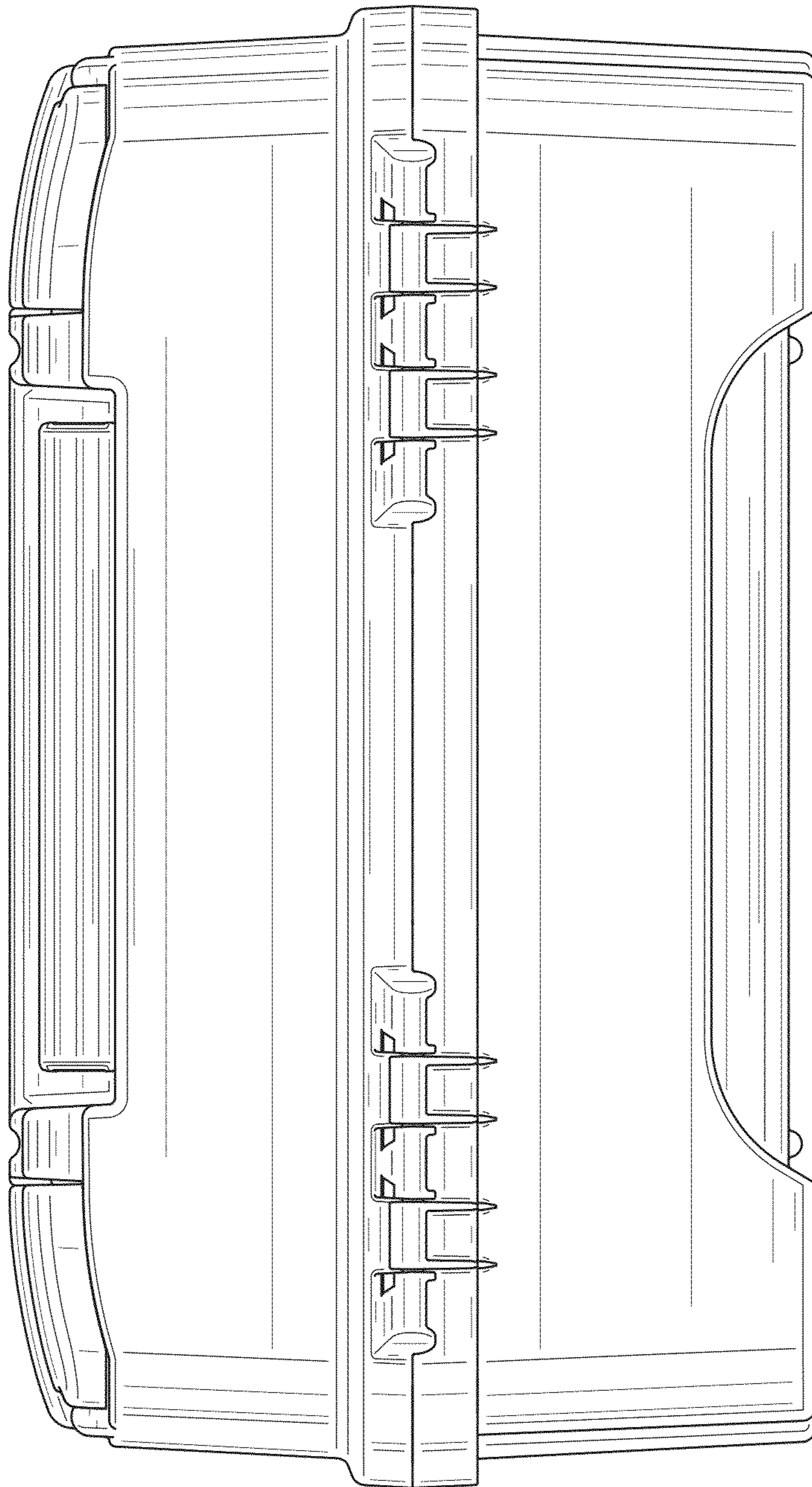


FIG. 3

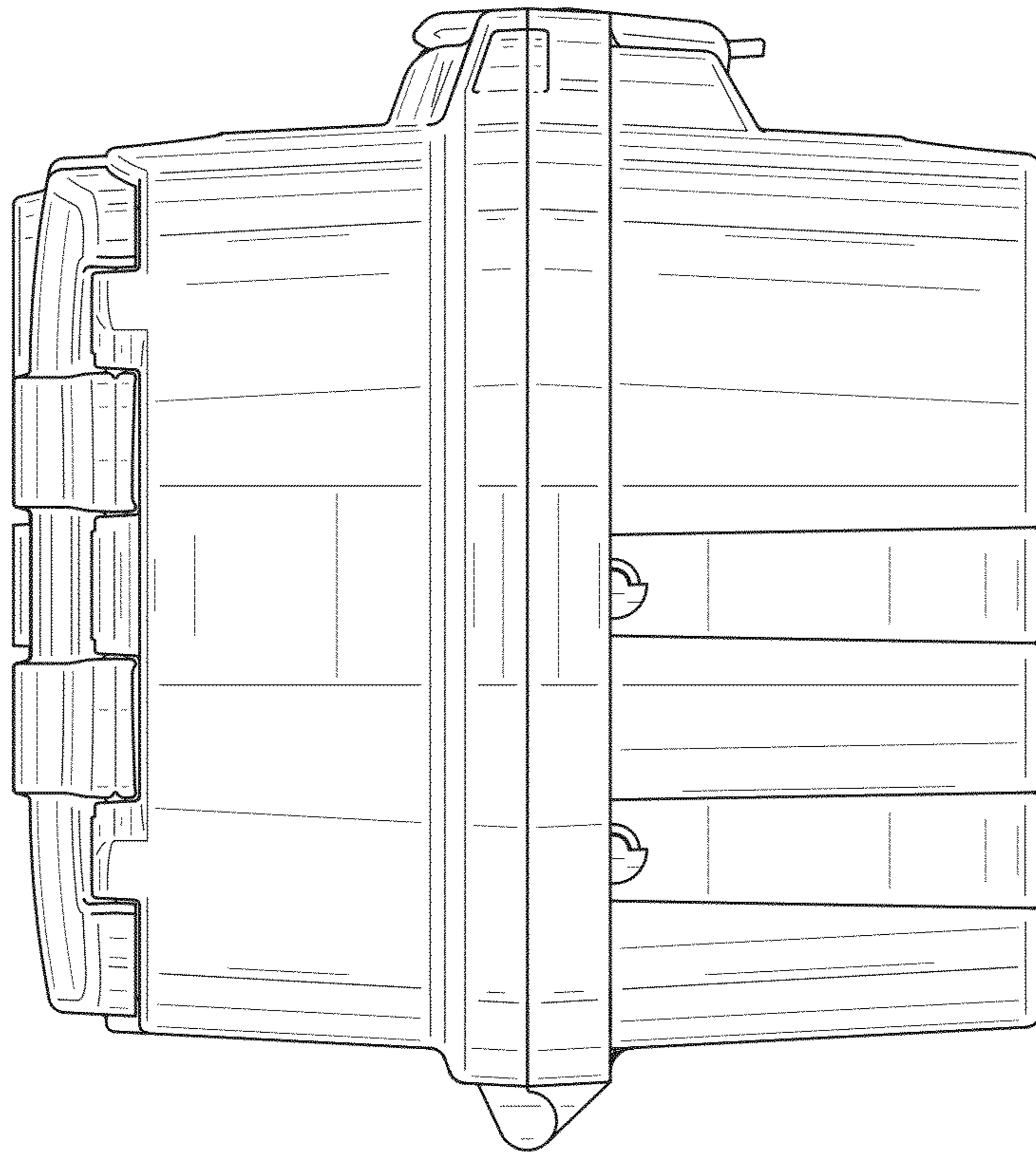


FIG. 4

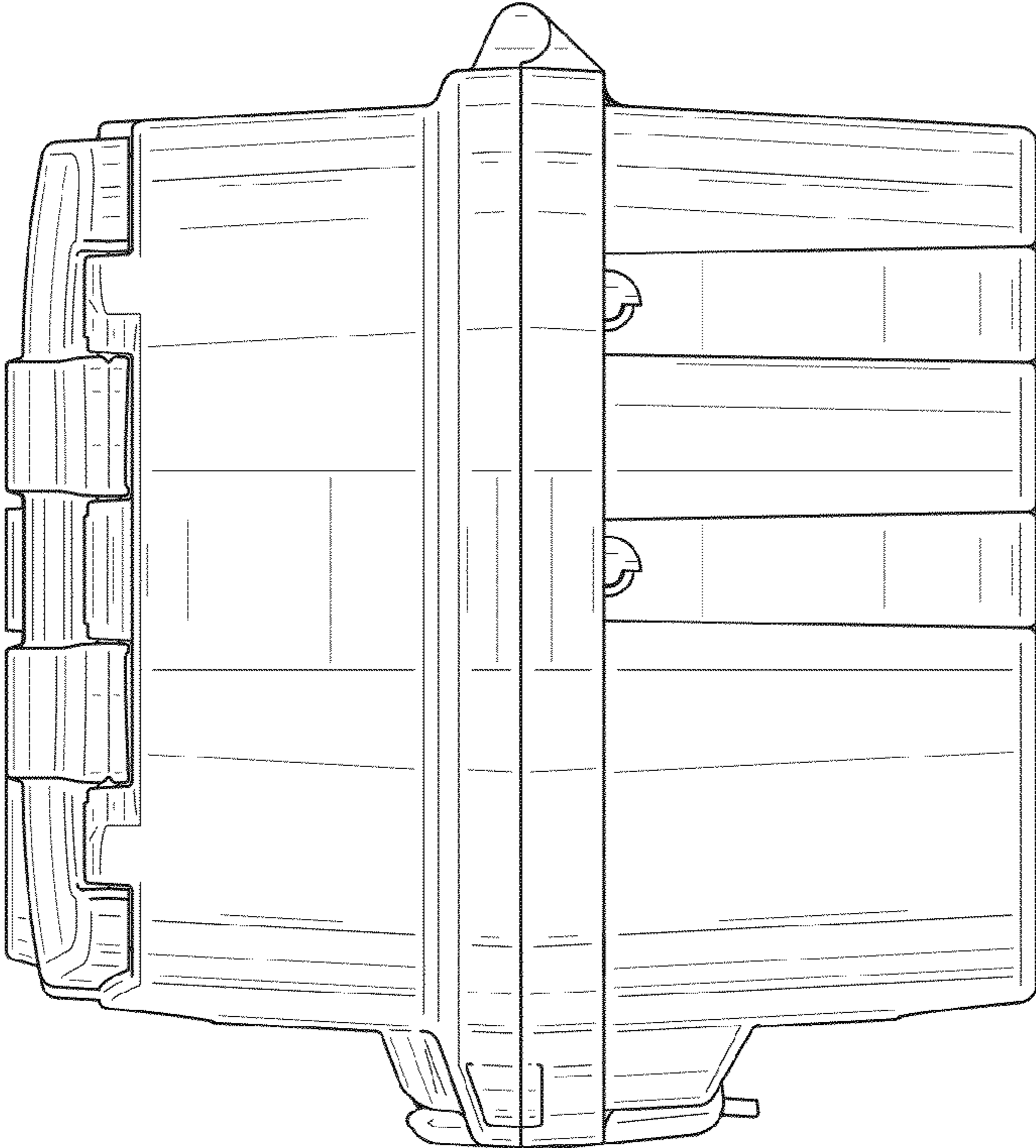


FIG. 5

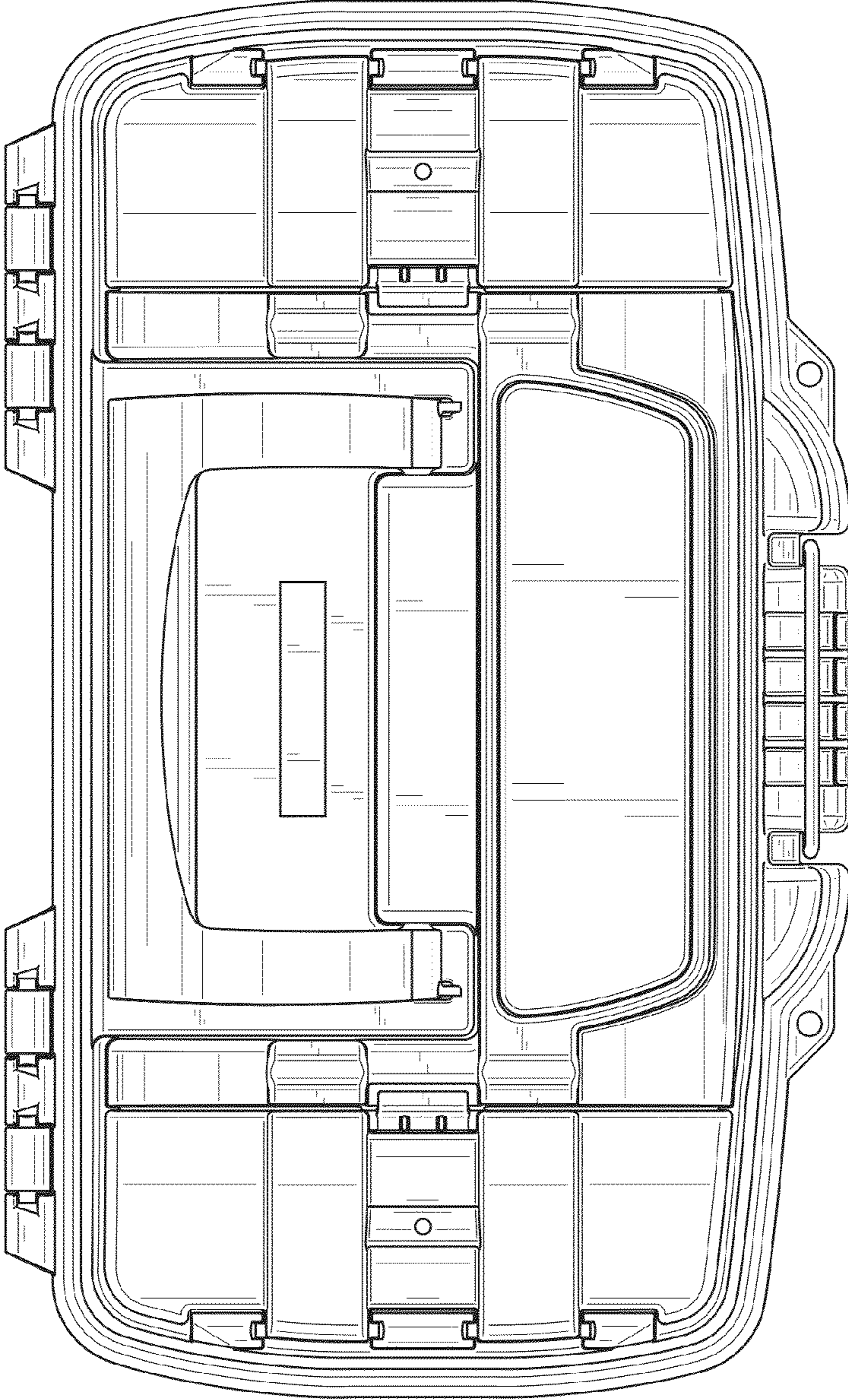


FIG. 6

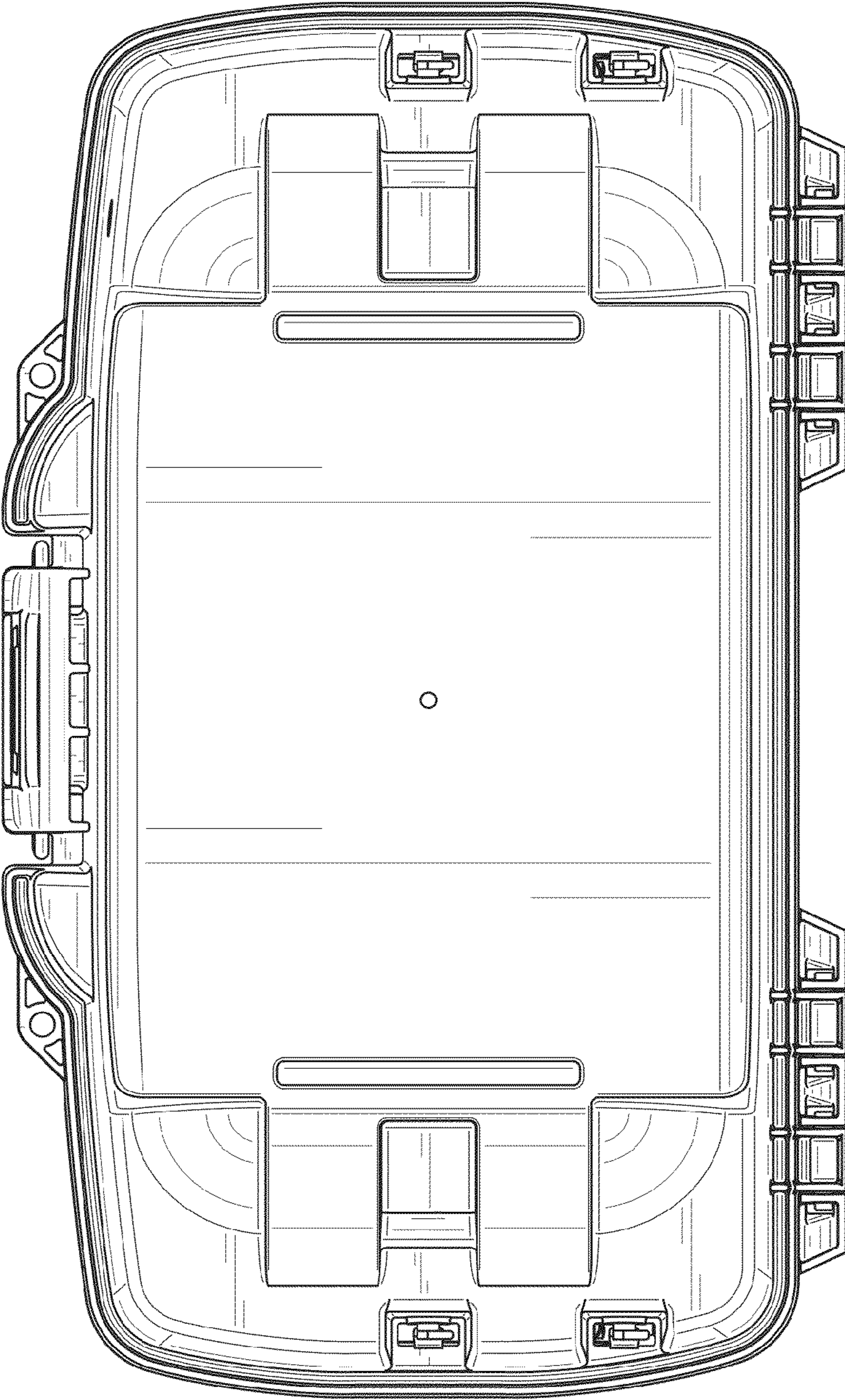


FIG. 7