

US00D724841S

(12) **United States Design Patent**
Schneider et al.

(10) **Patent No.:** **US D724,841 S**
(45) **Date of Patent:** **** Mar. 24, 2015**

(54) **CARD HOLDER**

D509,955 S * 9/2005 Williams D3/247
D575,569 S * 8/2008 Martinetti D6/626
D688,865 S * 9/2013 Tsai D3/249

(71) Applicants: **Jonathan Neil Schneider**, Boulder, CO
(US); **Herbert Abbott**, Boulder, CO
(US)

* cited by examiner

(72) Inventors: **Jonathan Neil Schneider**, Boulder, CO
(US); **Herbert Abbott**, Boulder, CO
(US)

Primary Examiner — Holly Baynham
(74) *Attorney, Agent, or Firm* — Fulwider Patton LLP

(**) Term: **14 Years**

(57) **CLAIM**
The ornamental design for an card holder, as shown and described.

(21) Appl. No.: **29/472,893**

DESCRIPTION

(22) Filed: **Nov. 17, 2013**

(51) **LOC (10) Cl.** **03-01**

(52) **U.S. Cl.**
USPC **D3/247**

(58) **Field of Classification Search**
CPC A45C 1/06
USPC D3/247, 249–253; 150/132, 136–137,
150/147

See application file for complete search history.

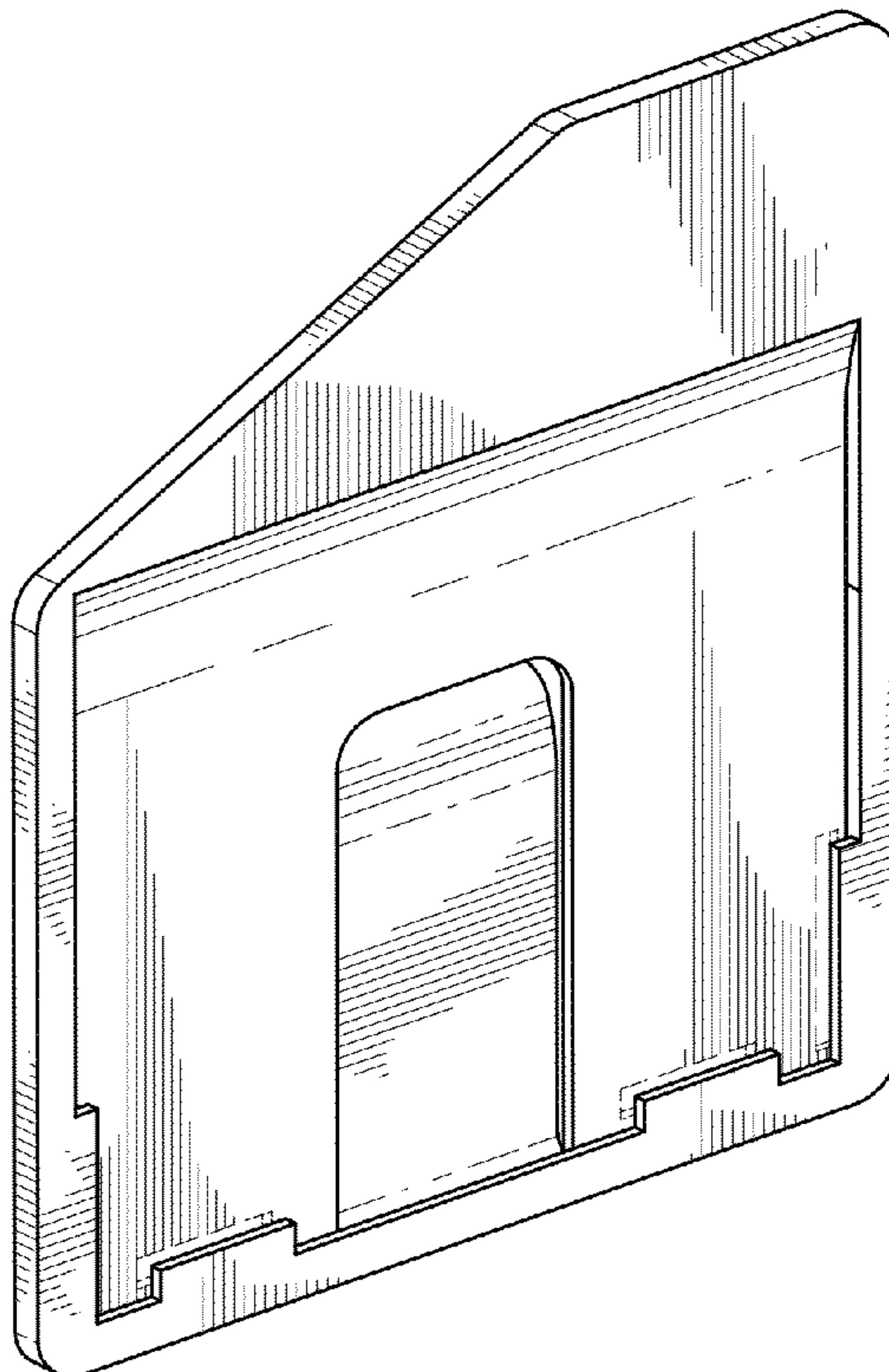
FIG. 1 is a front perspective view of the card holder;
FIG. 2 is a front perspective view of the card holder with an unclaimed card appearing in broken lines;
FIG. 3 is a rear perspective view of the card holder;
FIG. 4 is a front elevation view of the card holder;
FIG. 5 is a rear elevation view of the card holder;
FIG. 6 is a top plan view of the card holder;
FIG. 7 is a bottom plan view of the card holder;
FIG. 8 is a side elevation view of the card holder; and,
FIG. 9 is an opposite side elevation view of the card holder.
Broken lines appearing in the drawings are intended to be for illustrative purposes only and form no part of the claimed design.

(56) **References Cited**

U.S. PATENT DOCUMENTS

5,358,019 A * 10/1994 Sumner, III 150/147
5,520,230 A * 5/1996 Sumner, III 150/147

1 Claim, 4 Drawing Sheets



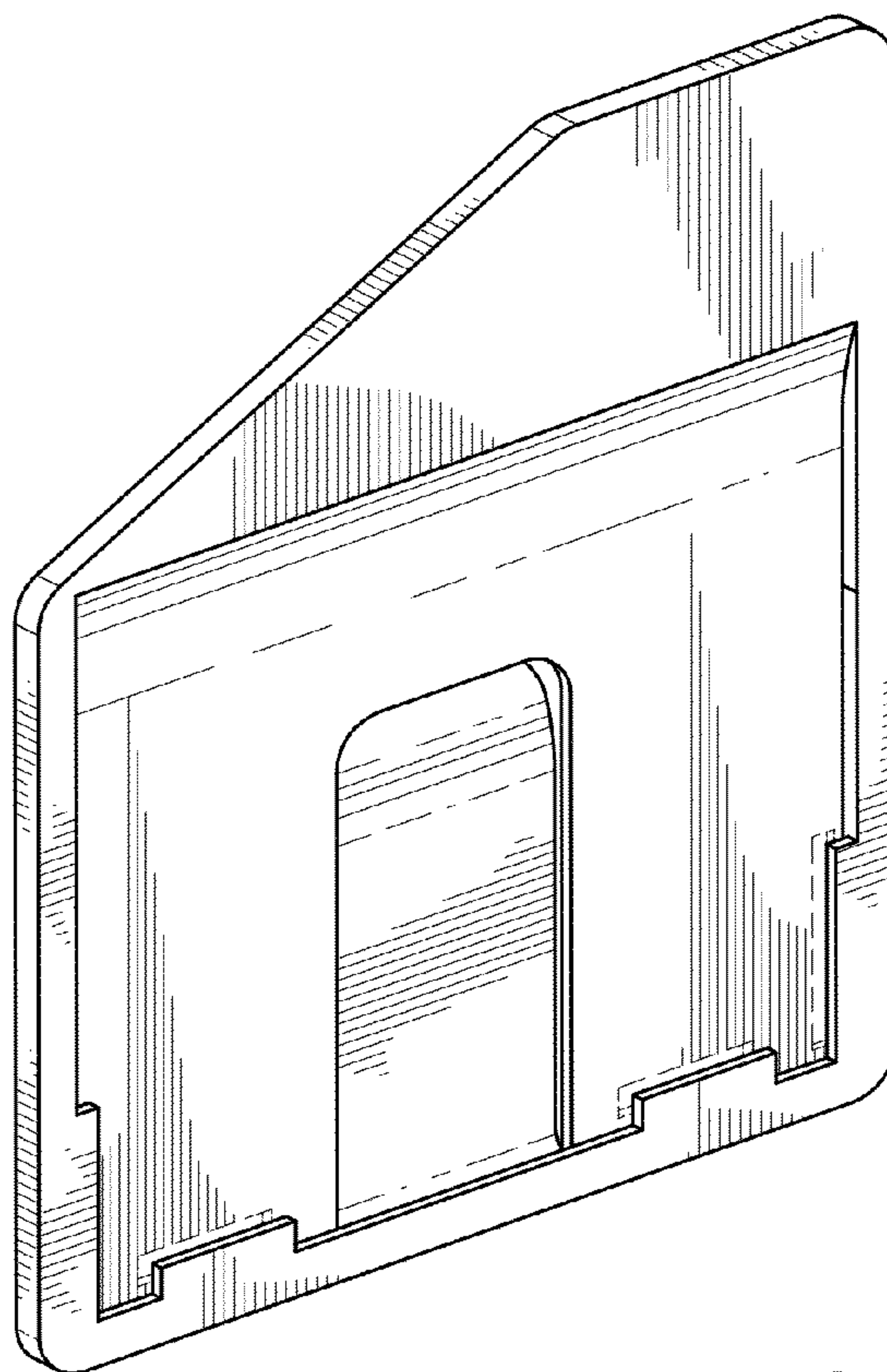


FIG. 1

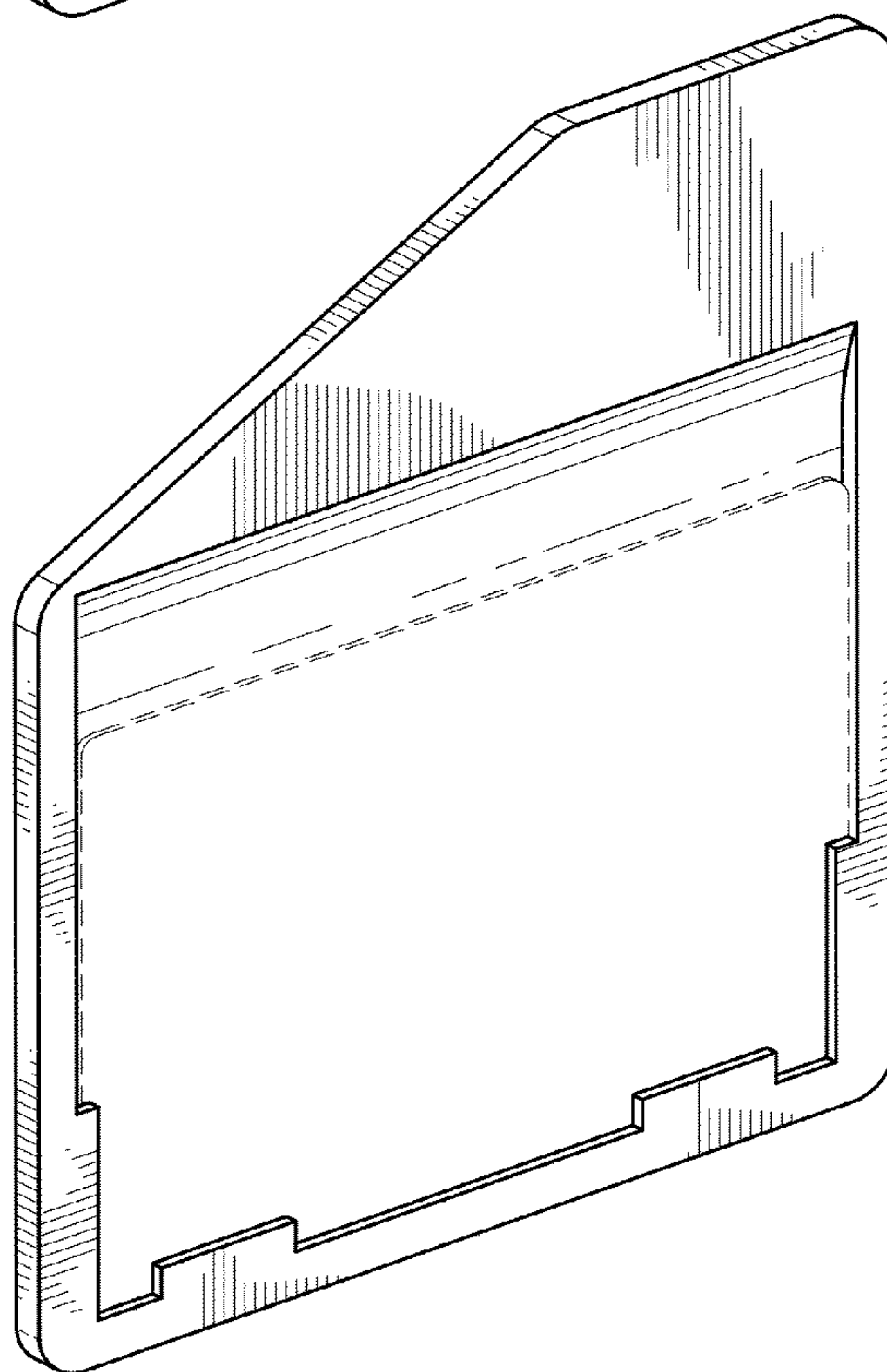


FIG. 2

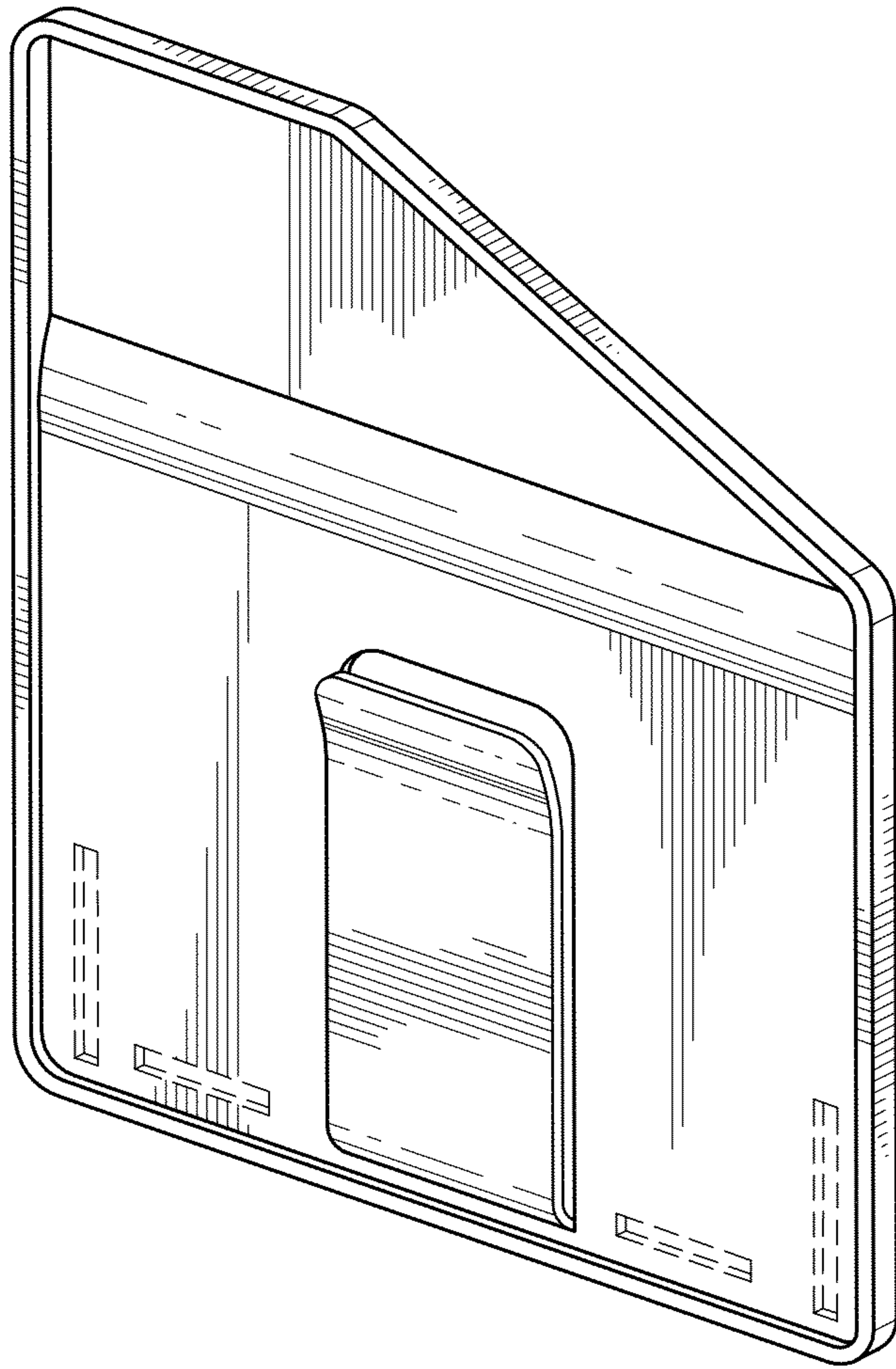


FIG. 3

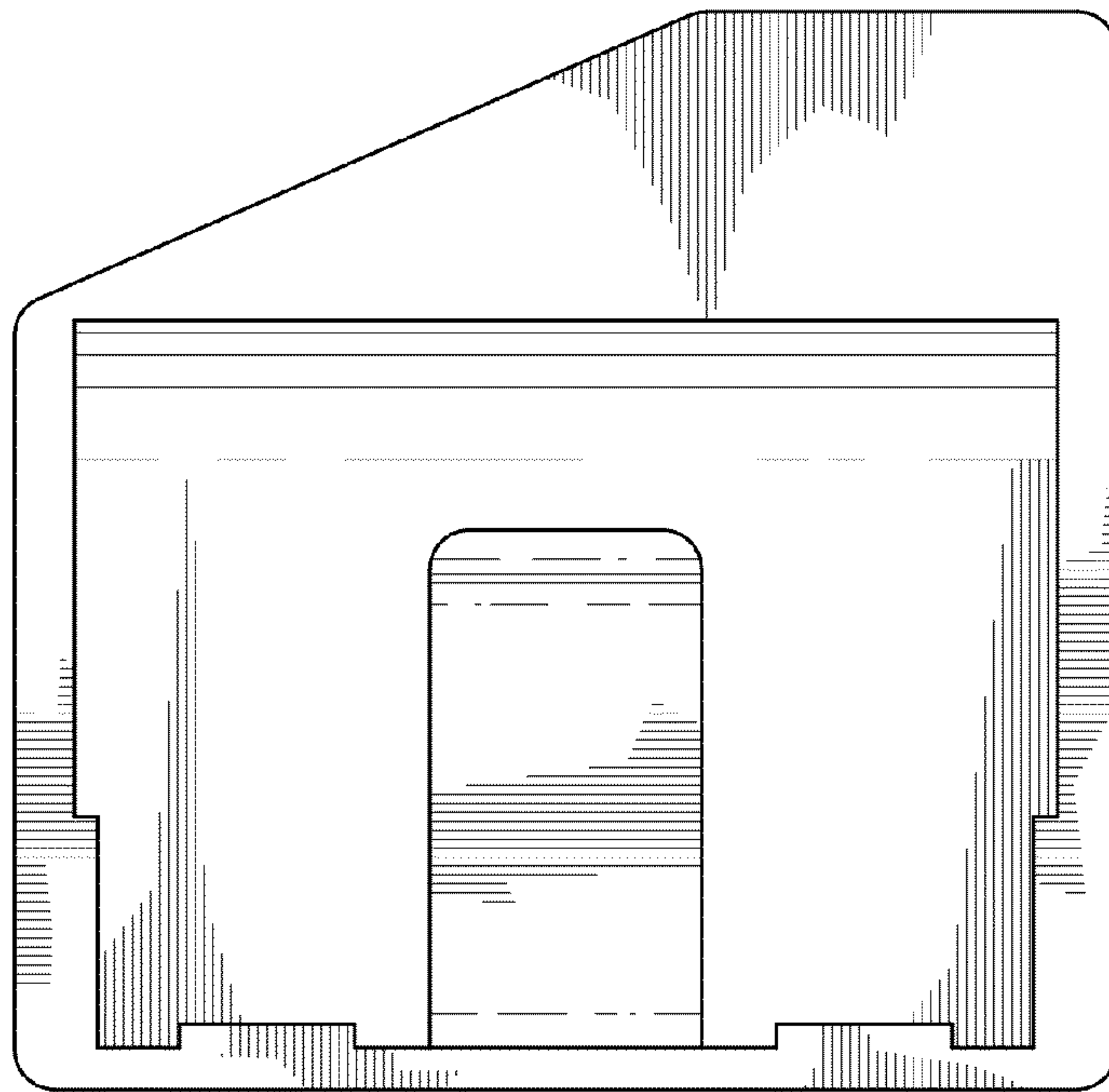


FIG. 4

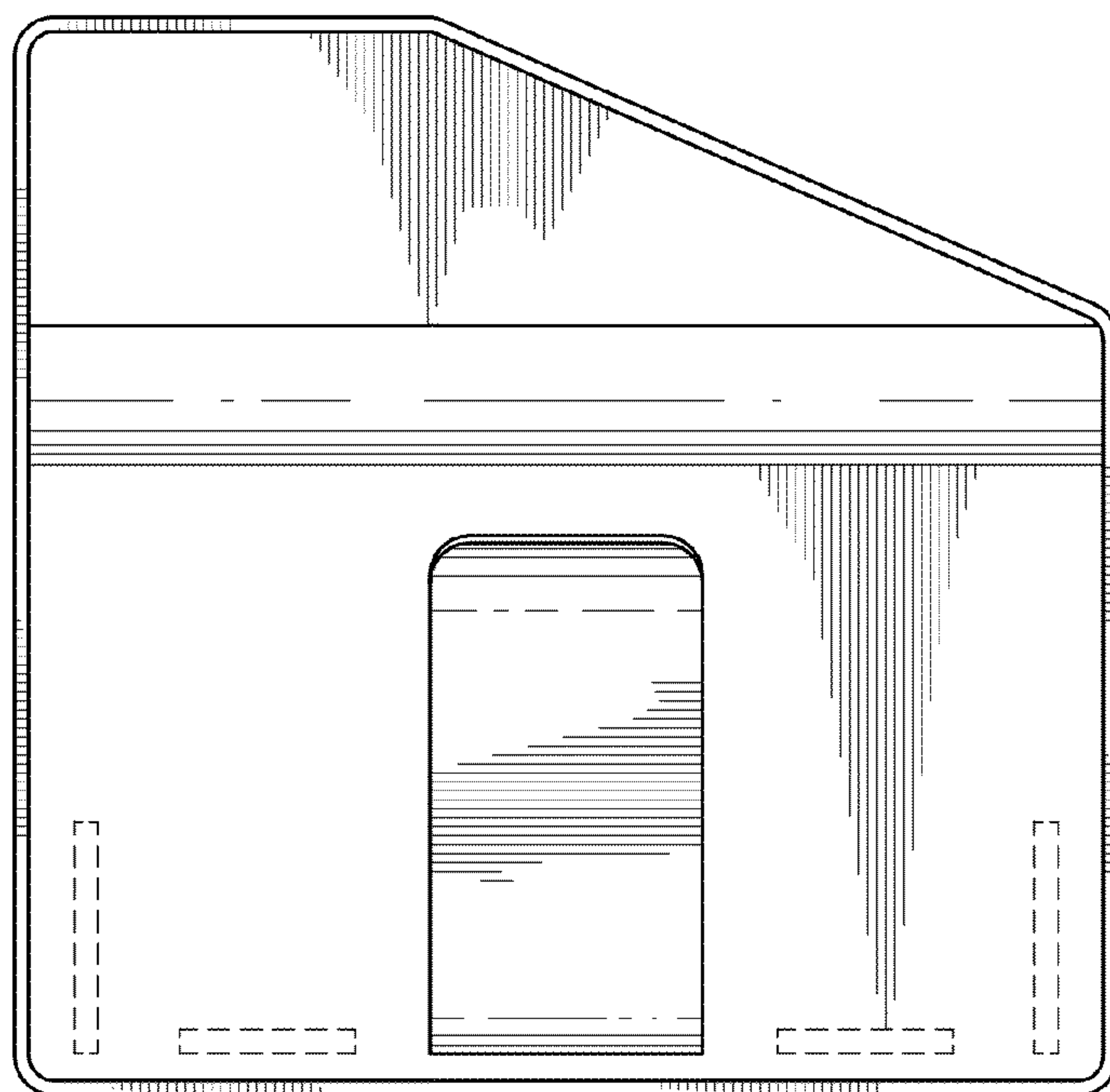


FIG. 5

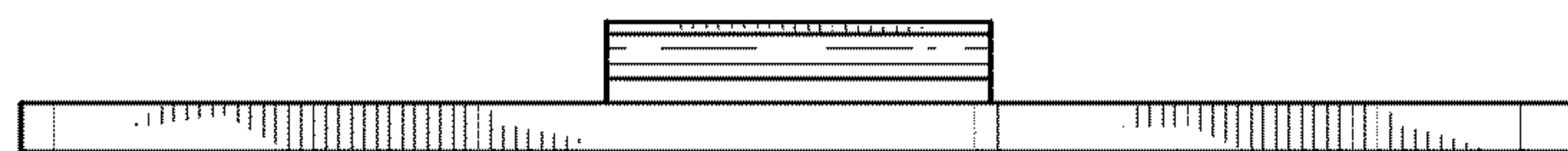


FIG. 6

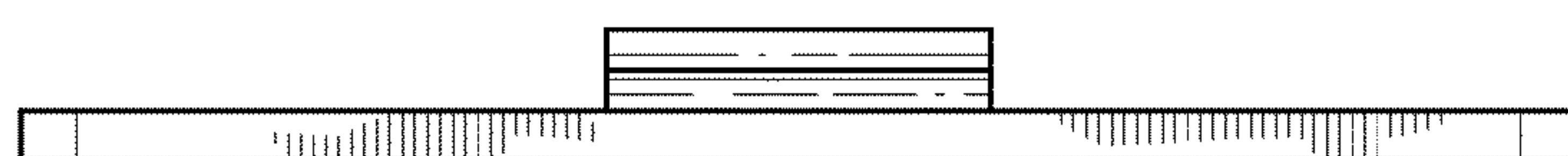


FIG. 7

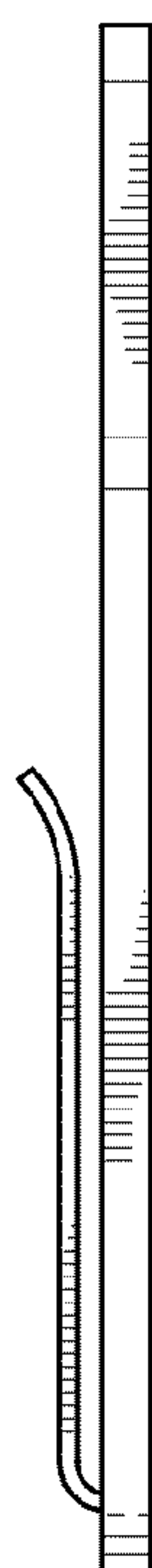


FIG. 8



FIG. 9