



US00D724835S

(12) **United States Design Patent**  
**Zhang**

(10) **Patent No.:** **US D724,835 S**  
(45) **Date of Patent:** **\*\* Mar. 24, 2015**

(54) **SMART PHONE CASE**

(71) Applicant: **Yu Long Zhang**, Brooklyn, NY (US)

(72) Inventor: **Yu Long Zhang**, Brooklyn, NY (US)

(\*\*) Term: **14 Years**

(21) Appl. No.: **29/492,953**

(22) Filed: **Jun. 4, 2014**

(51) **LOC (10) Cl.** ..... **03-01**

(52) **U.S. Cl.**  
USPC ..... **D3/218**

(58) **Field of Classification Search**

CPC ..... A45F 5/00; A45F 5/02; A45F 5/021;  
A45F 5/022; A45F 2005/00; A45F 2005/008;  
A45F 2005/02; A45F 2200/05; A45F  
2200/0516  
USPC ..... D3/218-219, 215, 201, 224, 226, 228,  
D3/269, 303; 224/240-241, 245, 578, 674,  
224/676-681, 901, 904; 206/305, 320, 576,  
206/759, 762; 455/575.1-575.8; D14/248,  
D14/250-251

See application file for complete search history.

(56) **References Cited**

U.S. PATENT DOCUMENTS

D515,806 S \* 2/2006 Rice ..... D3/218  
D561,463 S \* 2/2008 Malhotra ..... D3/218  
D611,702 S \* 3/2010 Fahrendorff et al. .... D3/218  
D695,007 S \* 12/2013 Zhang ..... D3/218  
D715,536 S \* 10/2014 Basmaji ..... D3/218

\* cited by examiner

*Primary Examiner* — Catheri Oliver-Garcia

(74) *Attorney, Agent, or Firm* — Gary E. Lambert; David J. Connaughton, Jr.; Lambert & Associates

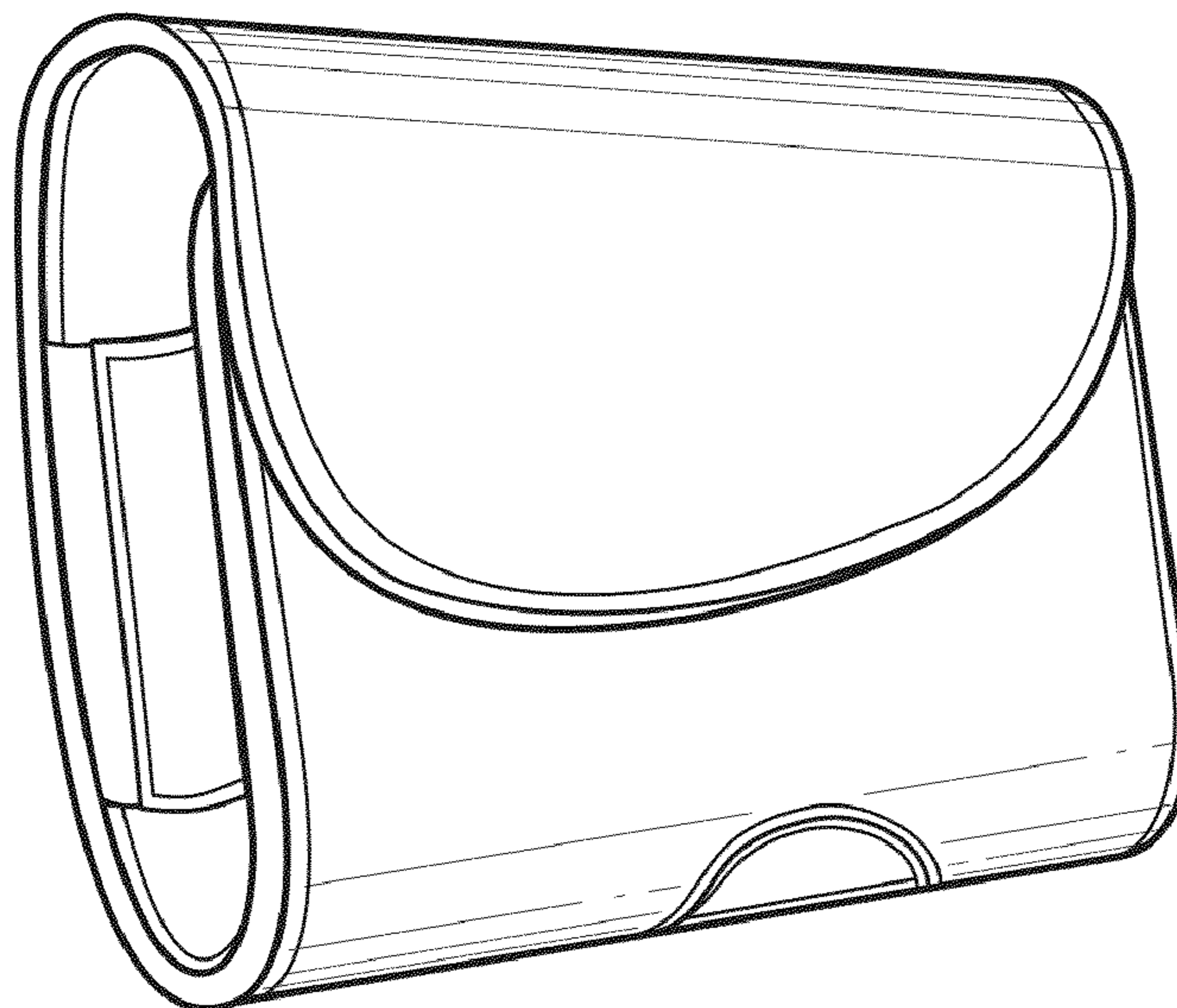
(57) **CLAIM**

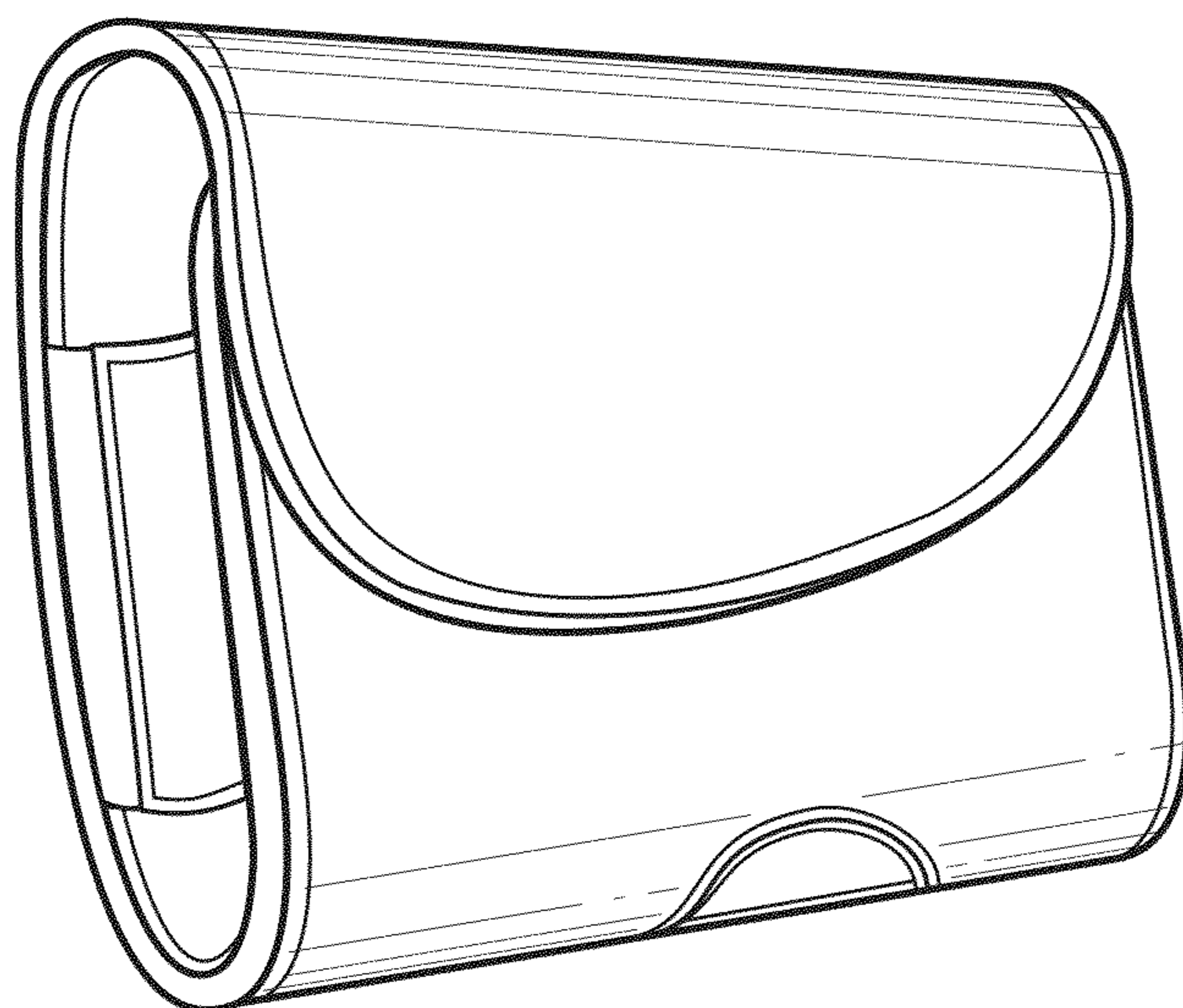
The ornamental design for a smart phone case, as shown and described.

**DESCRIPTION**

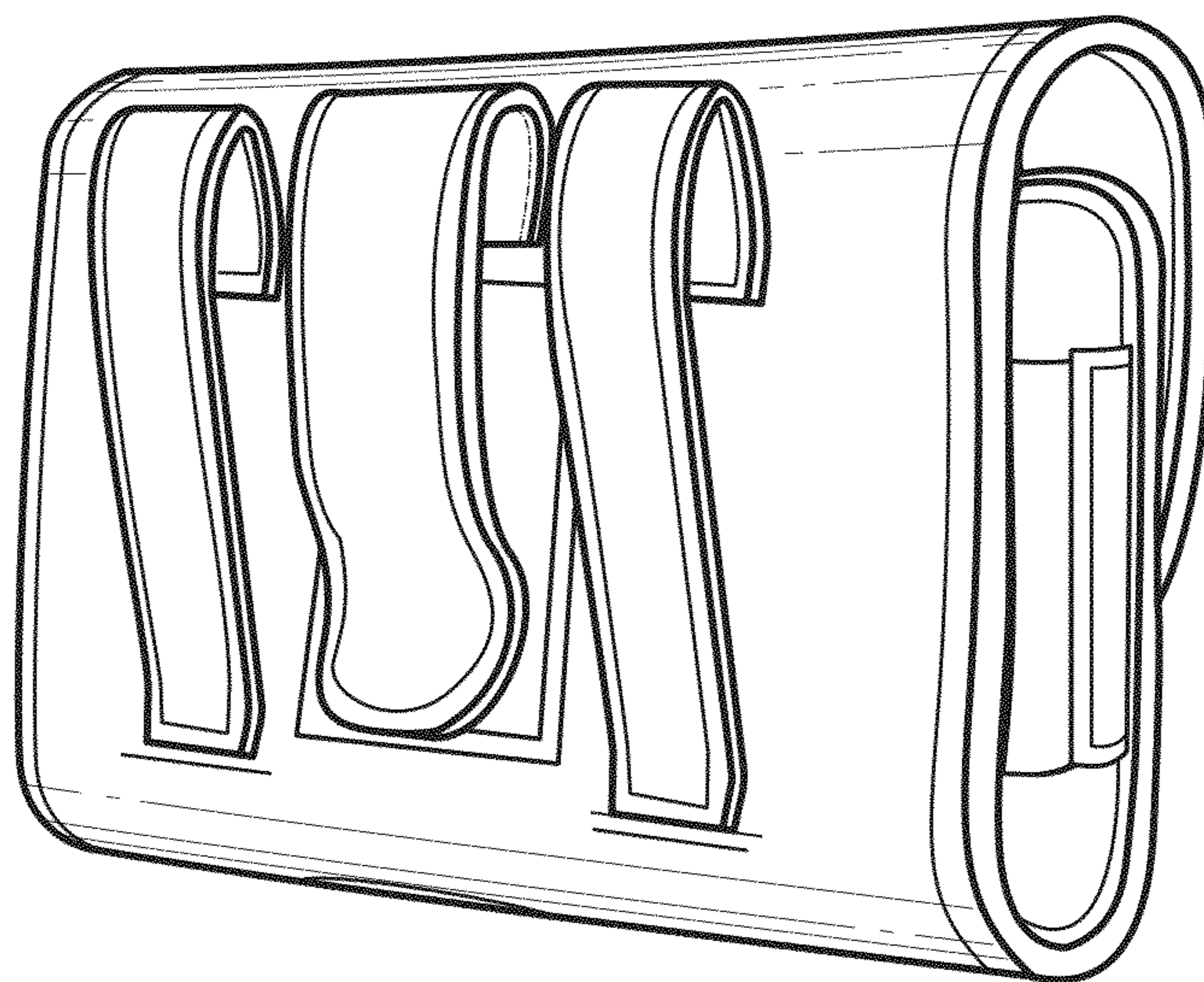
FIG. 1 is a front isometric view of the smart phone case which embodies my design;  
FIG. 2 is a rear isometric view of the smart phone case;  
FIG. 3 is a front of the smart phone case;  
FIG. 4 is a rear view of the smart phone case;  
FIG. 5 is a top plan view of the smart phone case;  
FIG. 6 is bottom plan view of the smart phone case;  
FIG. 7 is a right side view of the smart phone case; and,  
FIG. 8 is a left side view of the smart phone case.

**1 Claim, 3 Drawing Sheets**

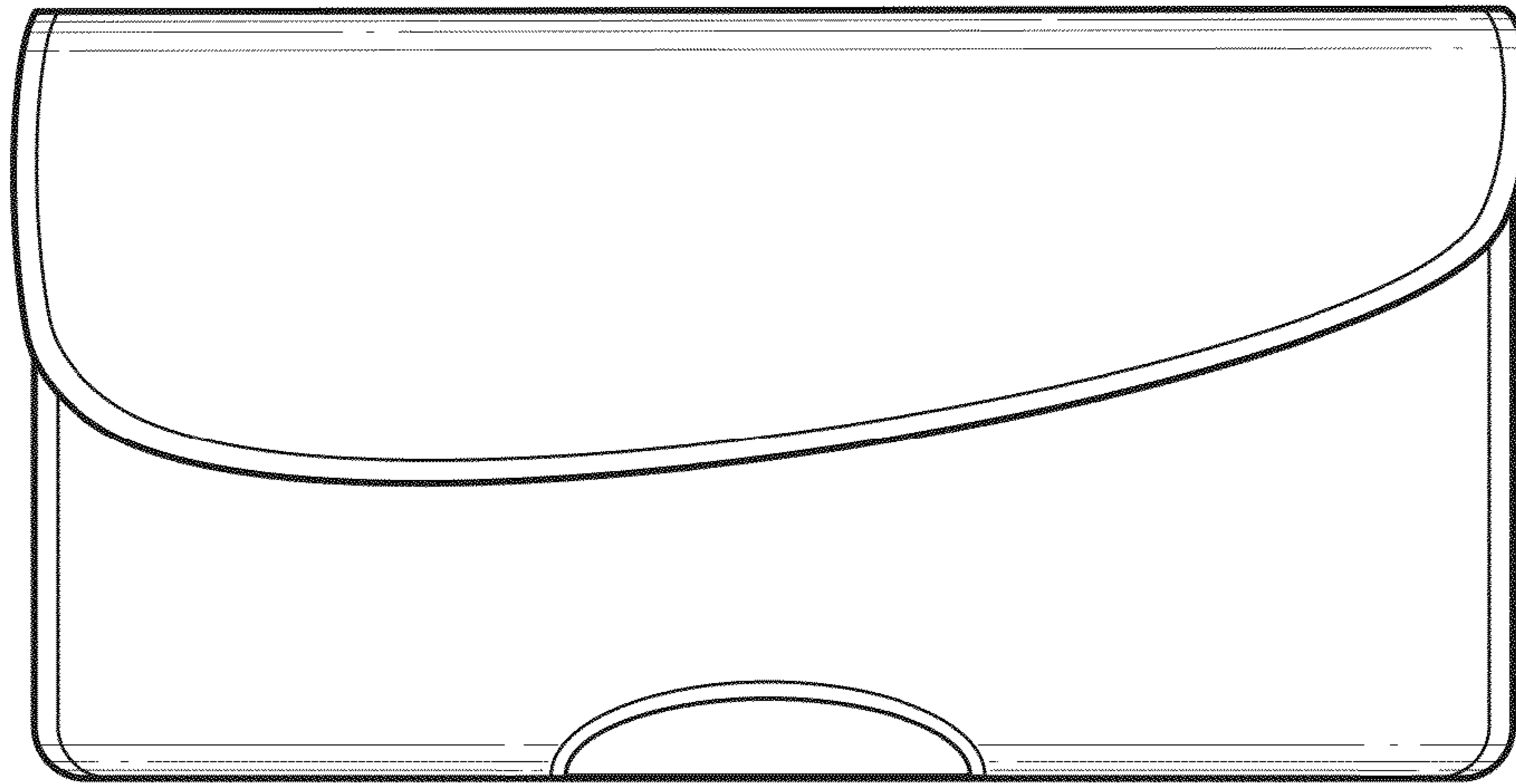




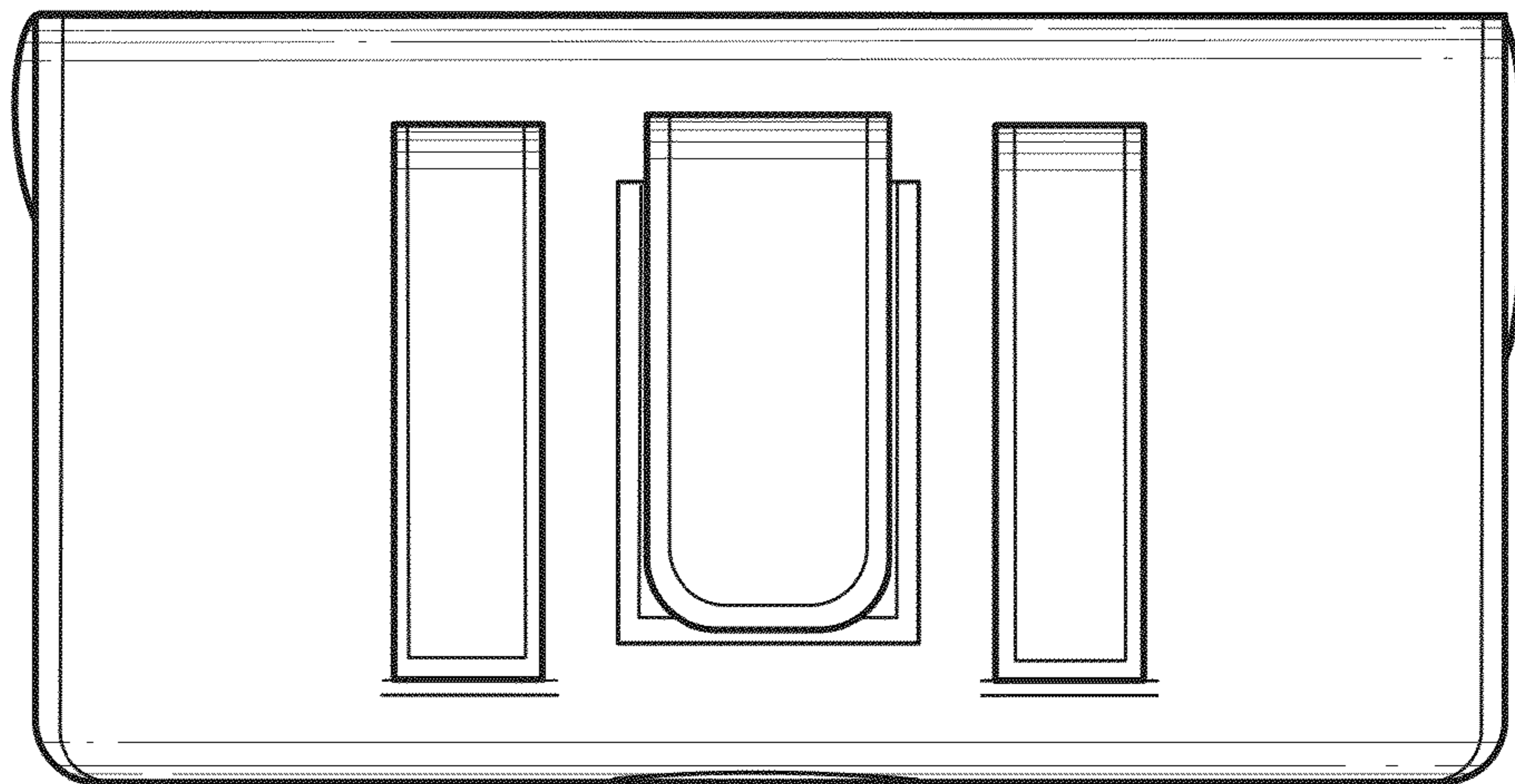
*Fig. 1*



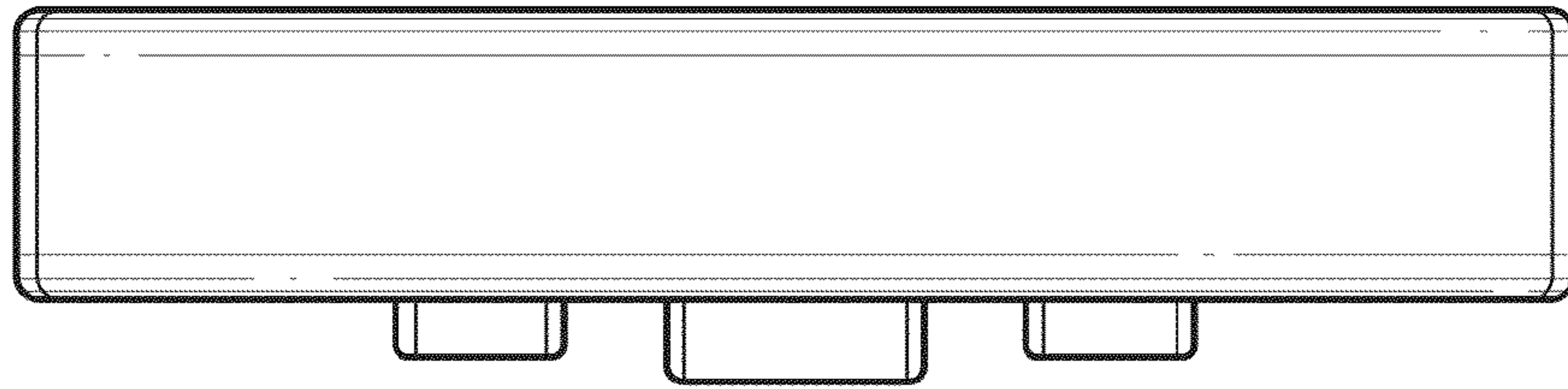
*Fig. 2*



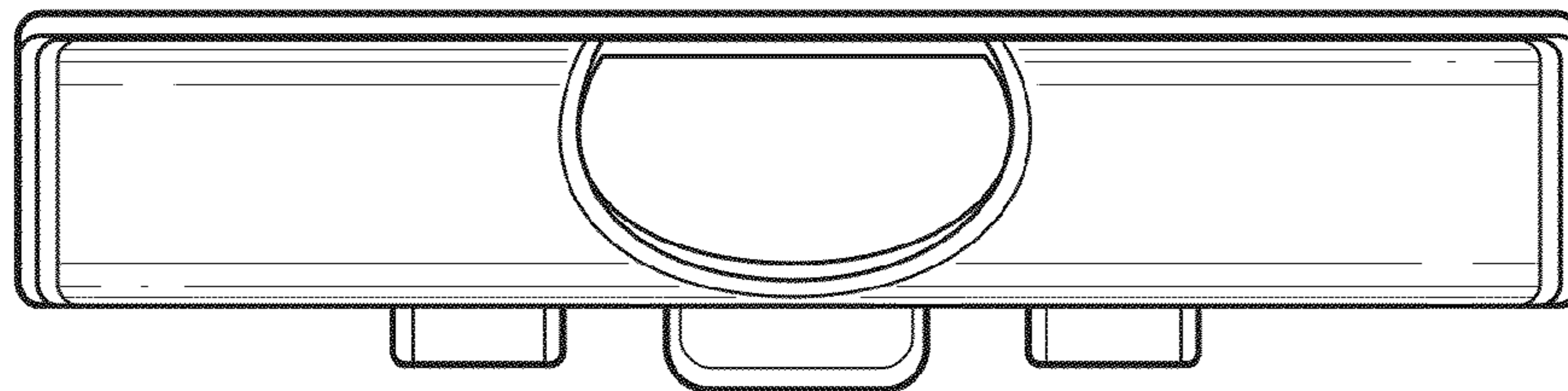
*Fig. 3*



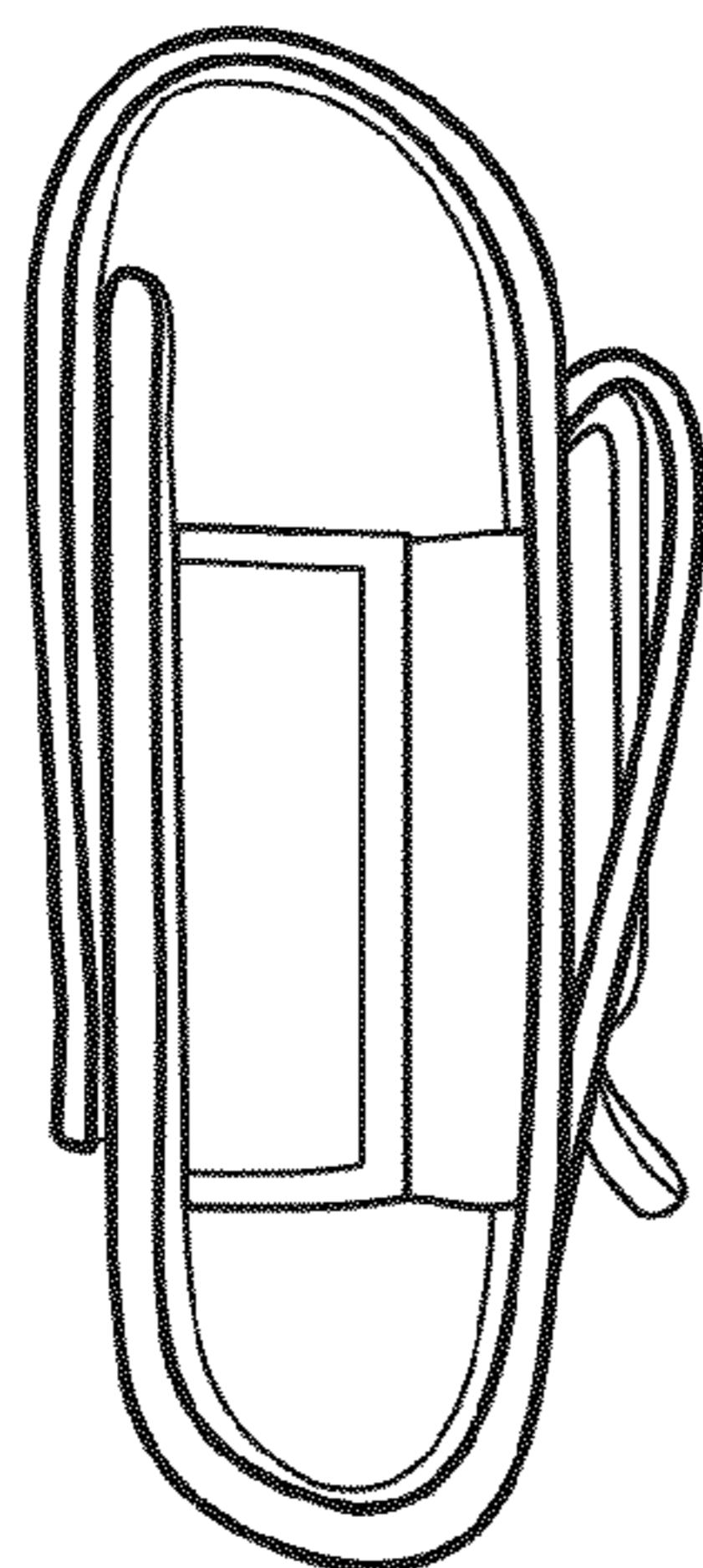
*Fig. 4*



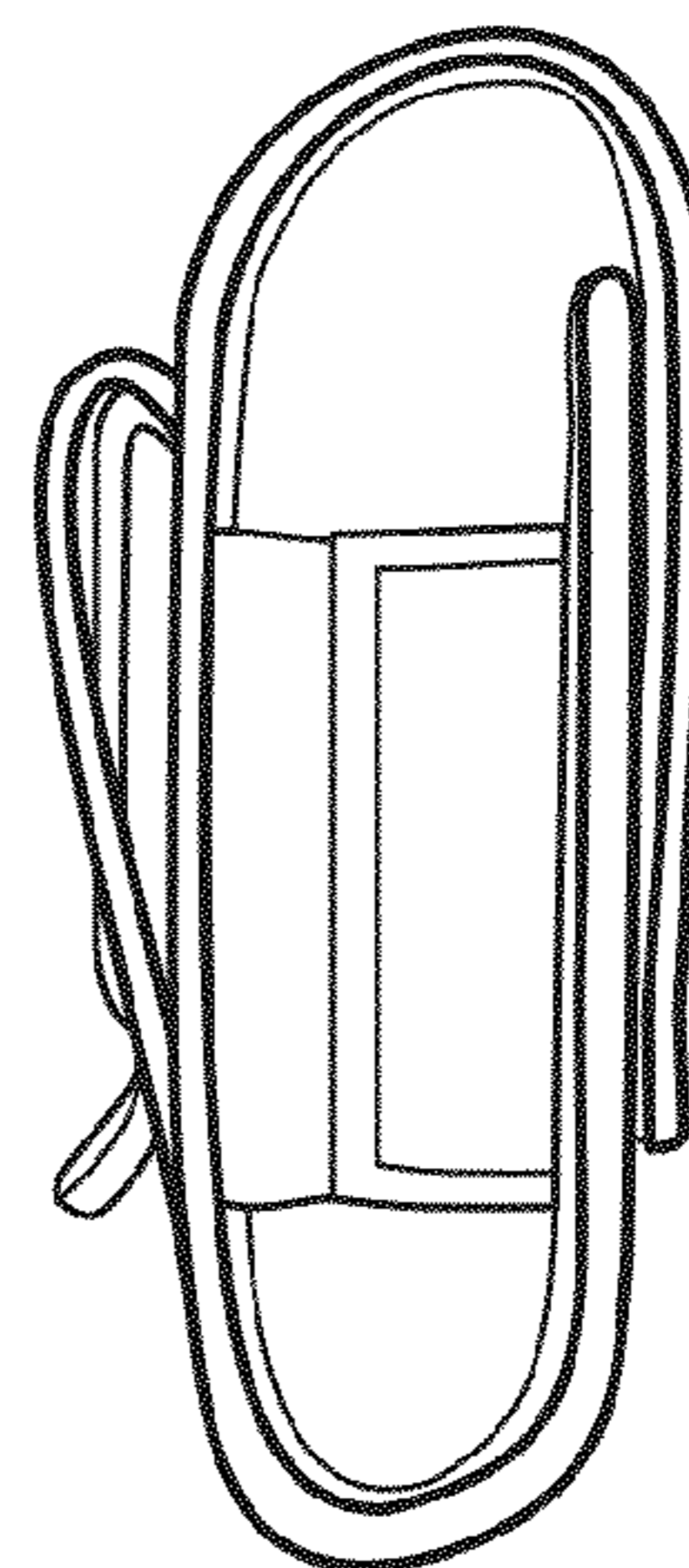
*Fig. 5*



*Fig. 6*



*Fig. 7*



*Fig. 8*