

US00D724830S

(12) **United States Design Patent**
Joseph

(10) **Patent No.:** **US D724,830 S**
(45) **Date of Patent:** **** Mar. 24, 2015**

(54) **FOOTWEAR**

(71) Applicant: **Columbia Sportswear North America, Inc.**, Portland, OR (US)

(72) Inventor: **John R Joseph**, Portland, OR (US)

(73) Assignee: **Columbia Sportswear North America, Inc.**, Portland, OR (US)

(**) Term: **14 Years**

(21) Appl. No.: **29/454,817**

(22) Filed: **May 14, 2013**

(51) **LOC (10) Cl.** **02-04**

(52) **U.S. Cl.**
USPC **D2/957**; D2/951; D2/960

(58) **Field of Classification Search**
USPC D2/902, 906, 908, 916, 918, 925,
D2/946-962, 977; 36/3 B, 22 R, 24.5, 25 R,
36/28, 32 R, 34 R, 59 C, 67 A, 103
See application file for complete search history.

(56) **References Cited**

U.S. PATENT DOCUMENTS

D393,142 S *	4/1998	Brown	D2/908
D440,748 S *	4/2001	Morgan	D2/957
D483,554 S *	12/2003	Burg et al.	D2/952
D498,575 S *	11/2004	Fuerst	D2/953
D508,307 S *	8/2005	Burg et al.	D2/953
D561,439 S *	2/2008	Schoenborn et al.	D2/957
D593,290 S *	6/2009	Chen	D2/953

D600,895 S *	9/2009	Morgan	D2/957
D603,151 S *	11/2009	Roundhouse	D2/960
D604,932 S *	12/2009	Le	D2/957
D655,902 S *	3/2012	Debiase	D2/957
D677,454 S *	3/2013	Pizzuti	D2/960
D695,505 S *	12/2013	Hansen	D2/960
D703,931 S *	5/2014	Bikowski	D2/957
2010/0088929 A1 *	4/2010	Comoli	36/103
2010/0180474 A1 *	7/2010	Clark et al.	36/3 B

* cited by examiner

Primary Examiner — T. Chase Nelson

(74) *Attorney, Agent, or Firm* — Schwabe, Williamson & Wyatt, P.C.

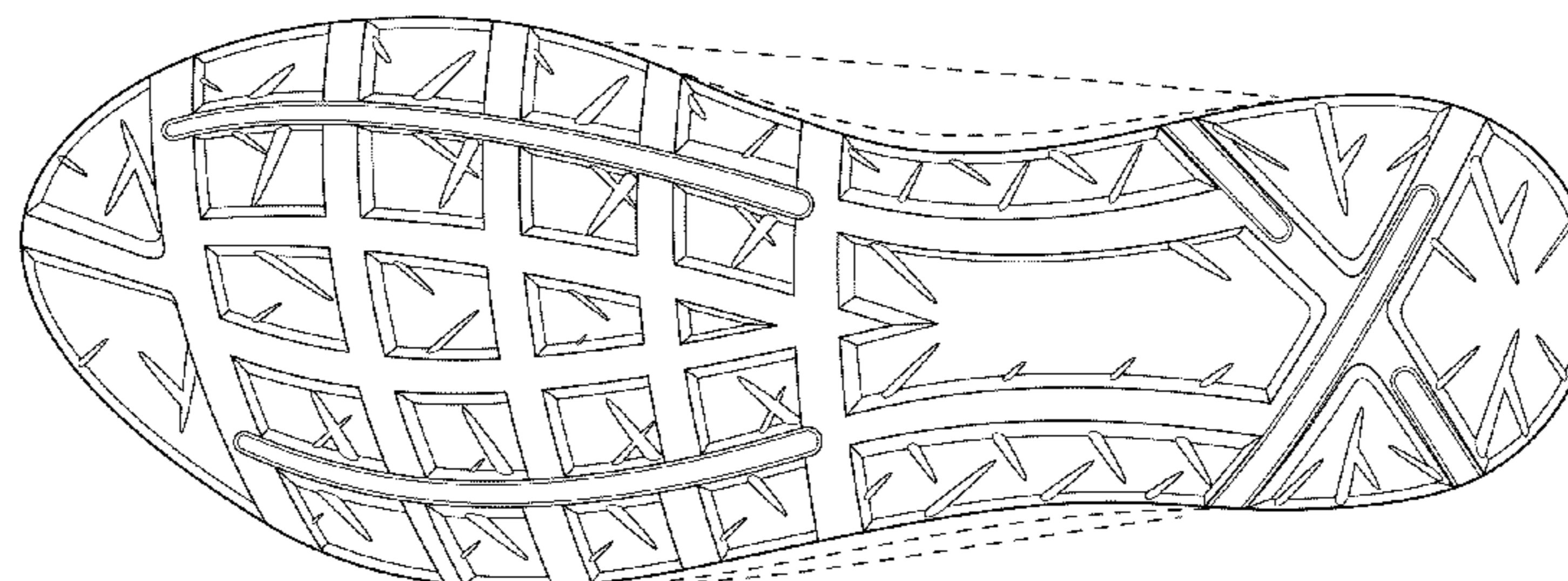
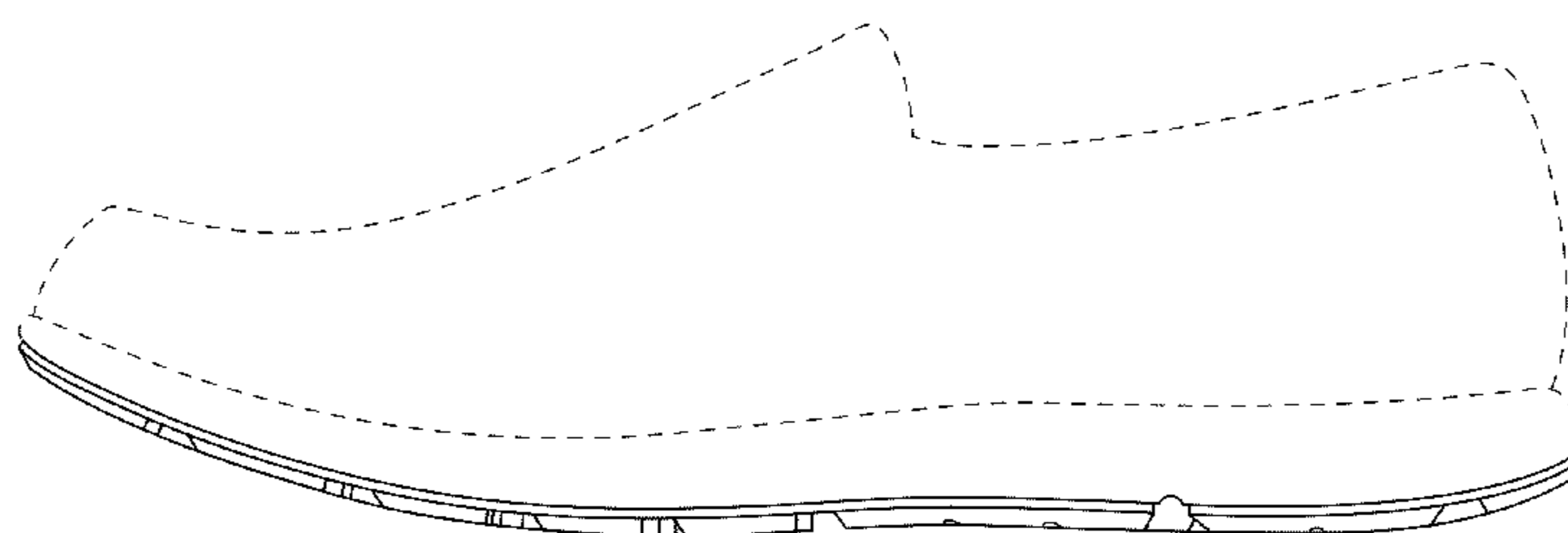
(57) **CLAIM**

I claim the ornamental design for footwear, as shown and described.

DESCRIPTION

FIG. 1 is a perspective view of footwear, showing my new design;
FIG. 2 is a left side view thereof;
FIG. 3 is a right side view thereof;
FIG. 4 is a top view thereof;
FIG. 5 is a bottom view thereof;
FIG. 6 is a front view thereof; and,
FIG. 7 is a back view thereof.
The dashed lines are included for illustrating environmental structure and form no part of the claimed design.

1 Claim, 5 Drawing Sheets



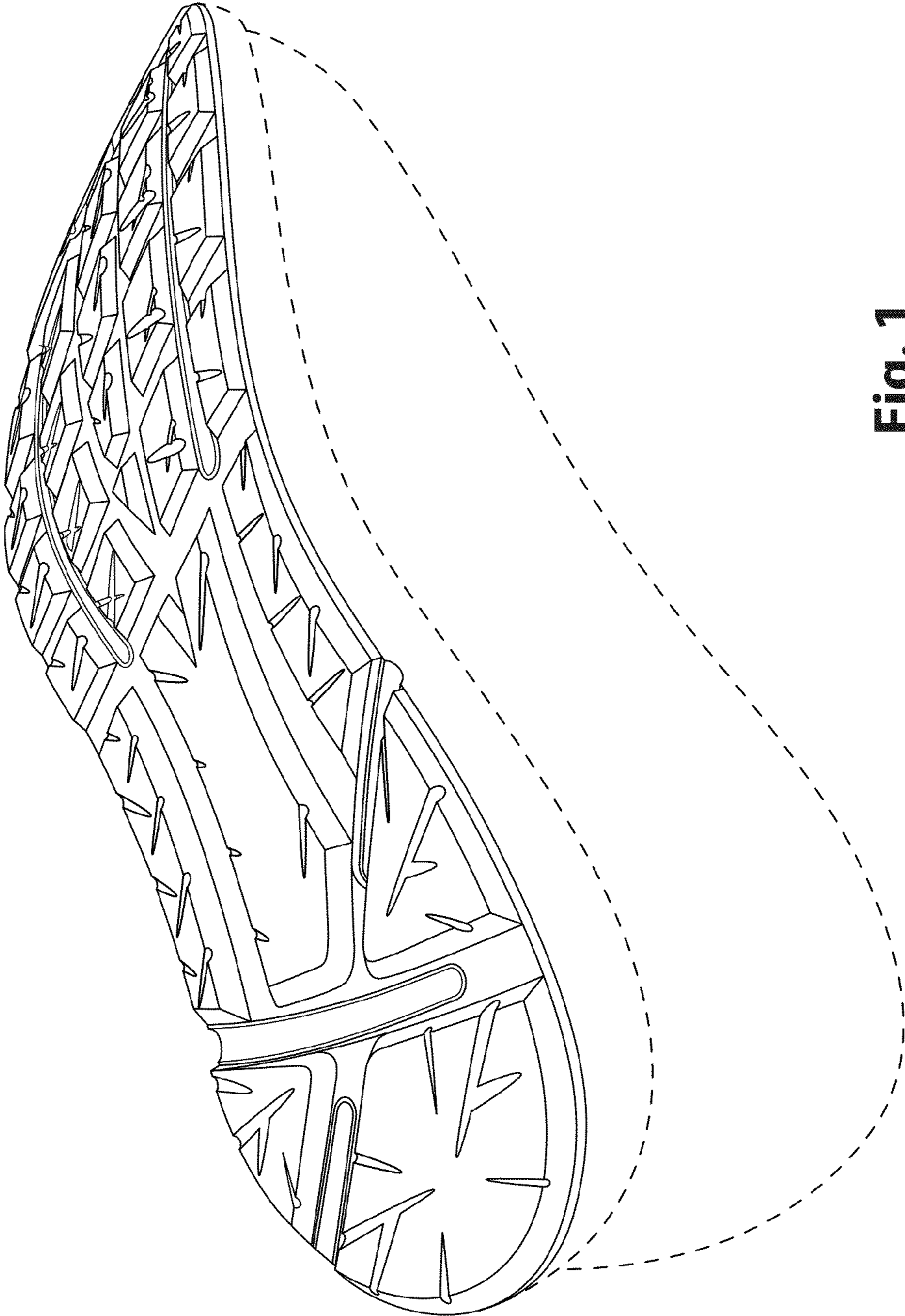
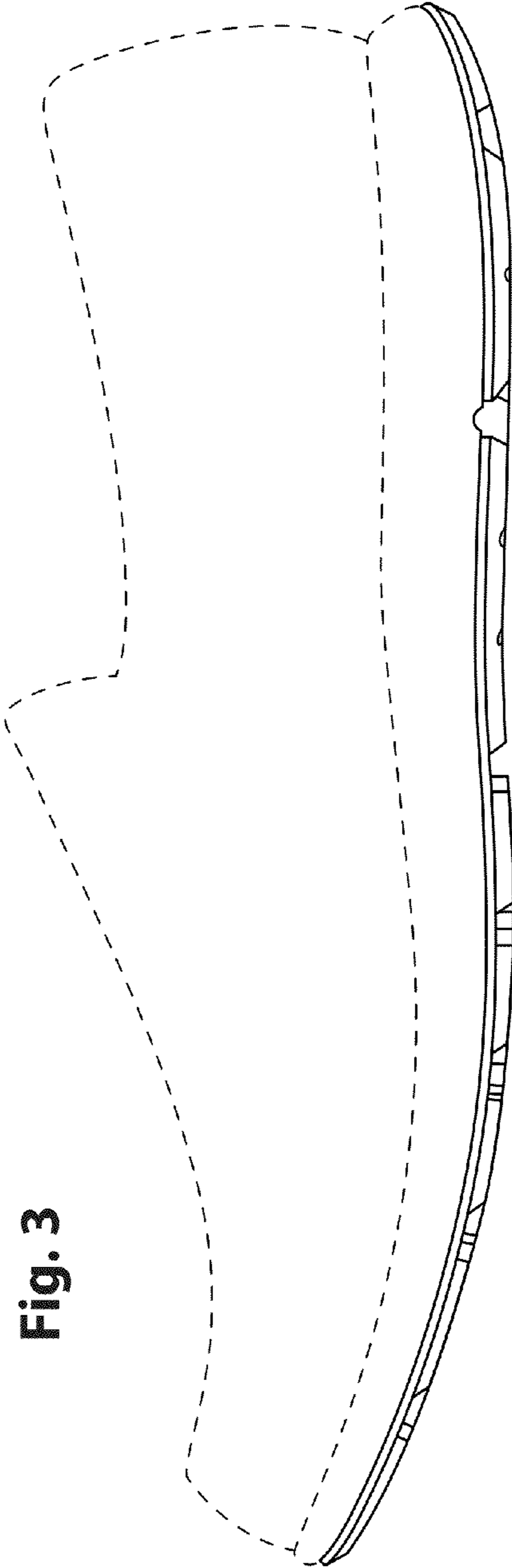
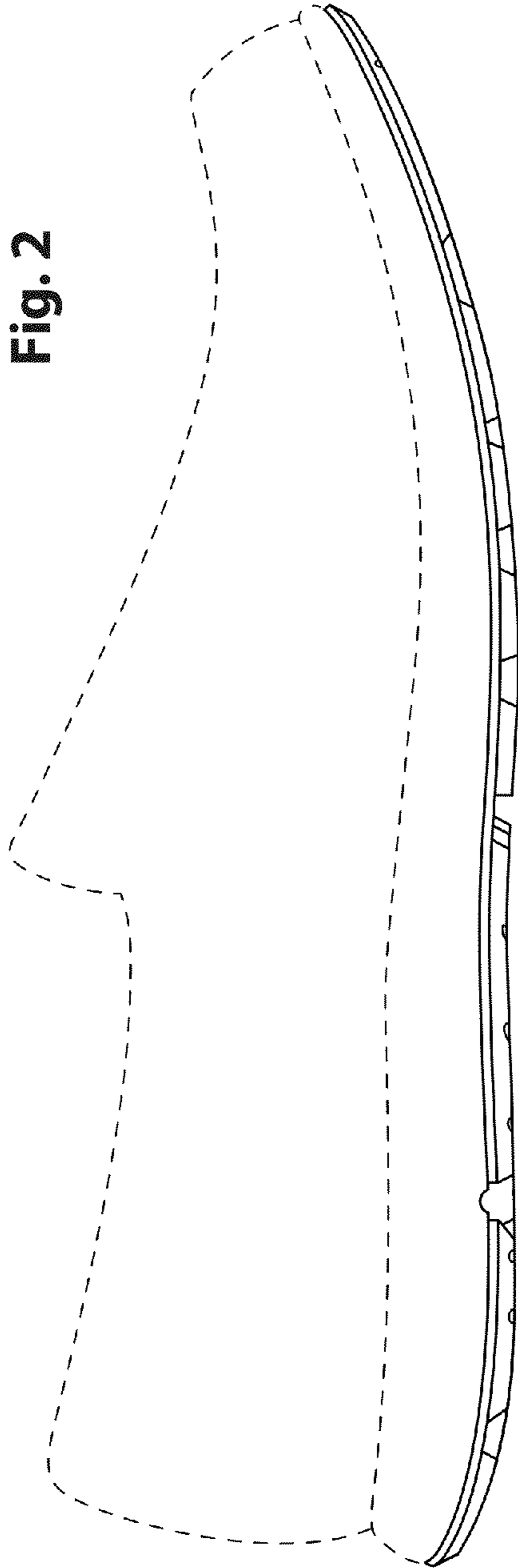


Fig. 1



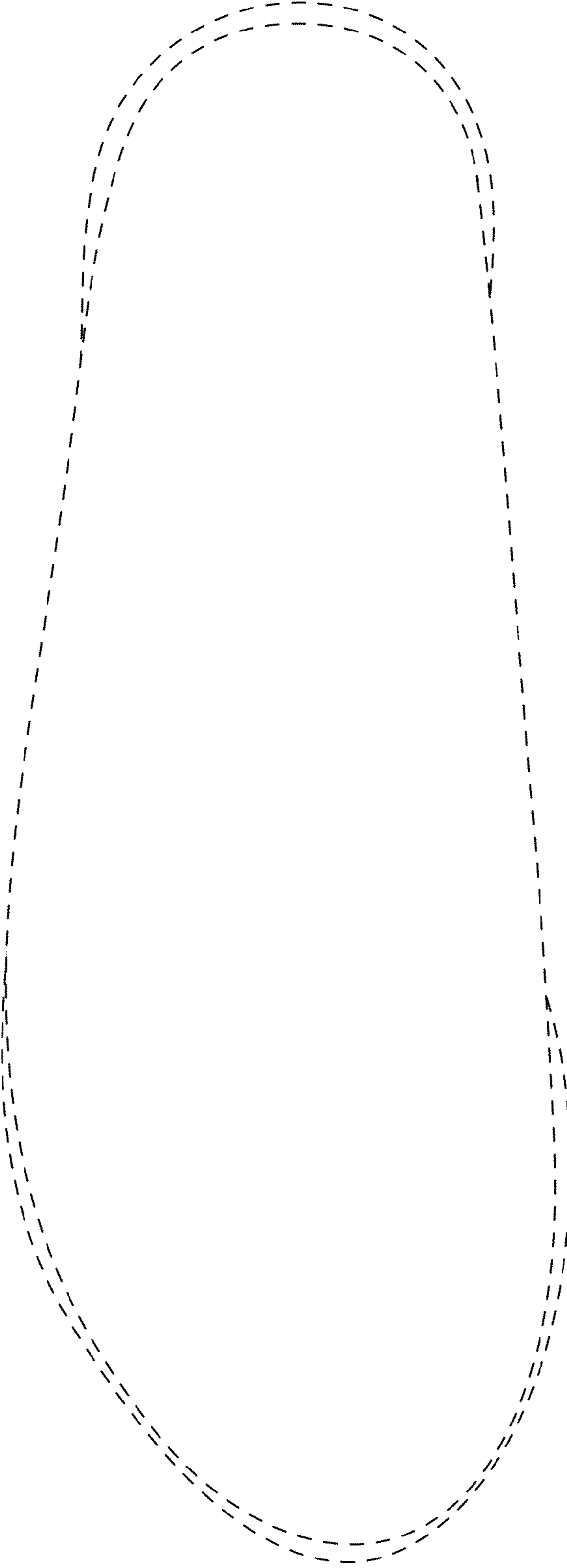


Fig. 4

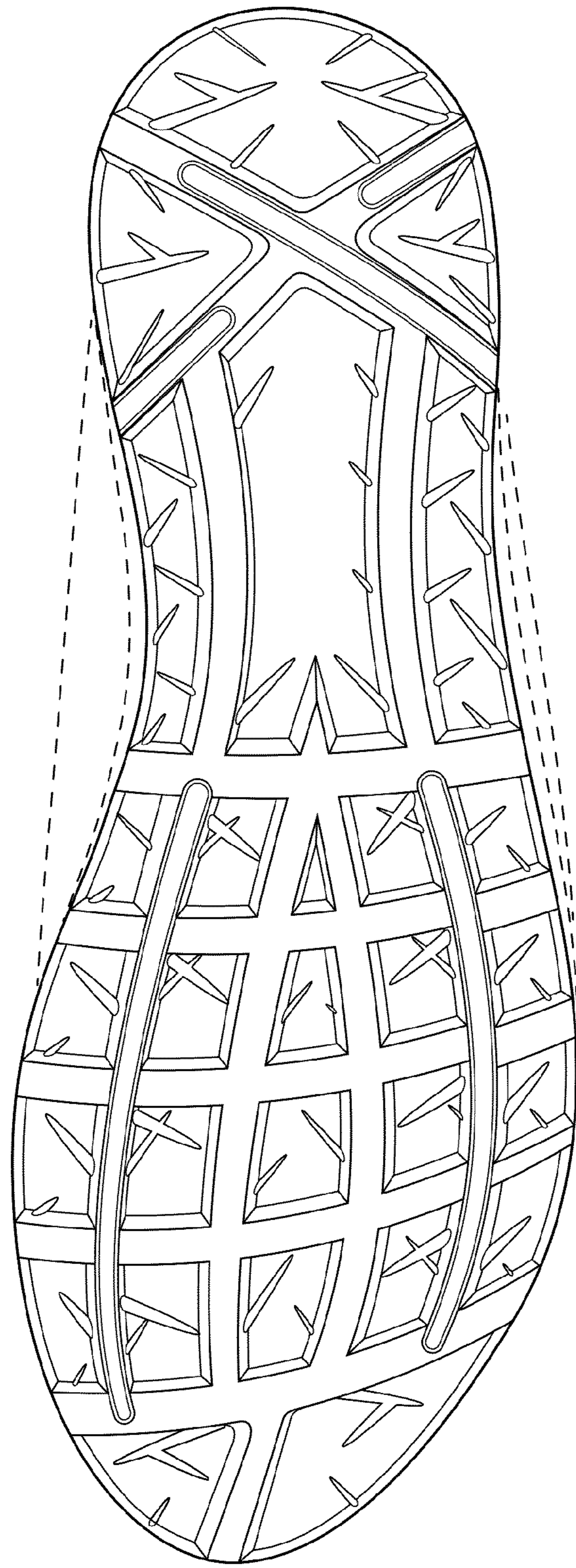


Fig. 5

Fig. 7

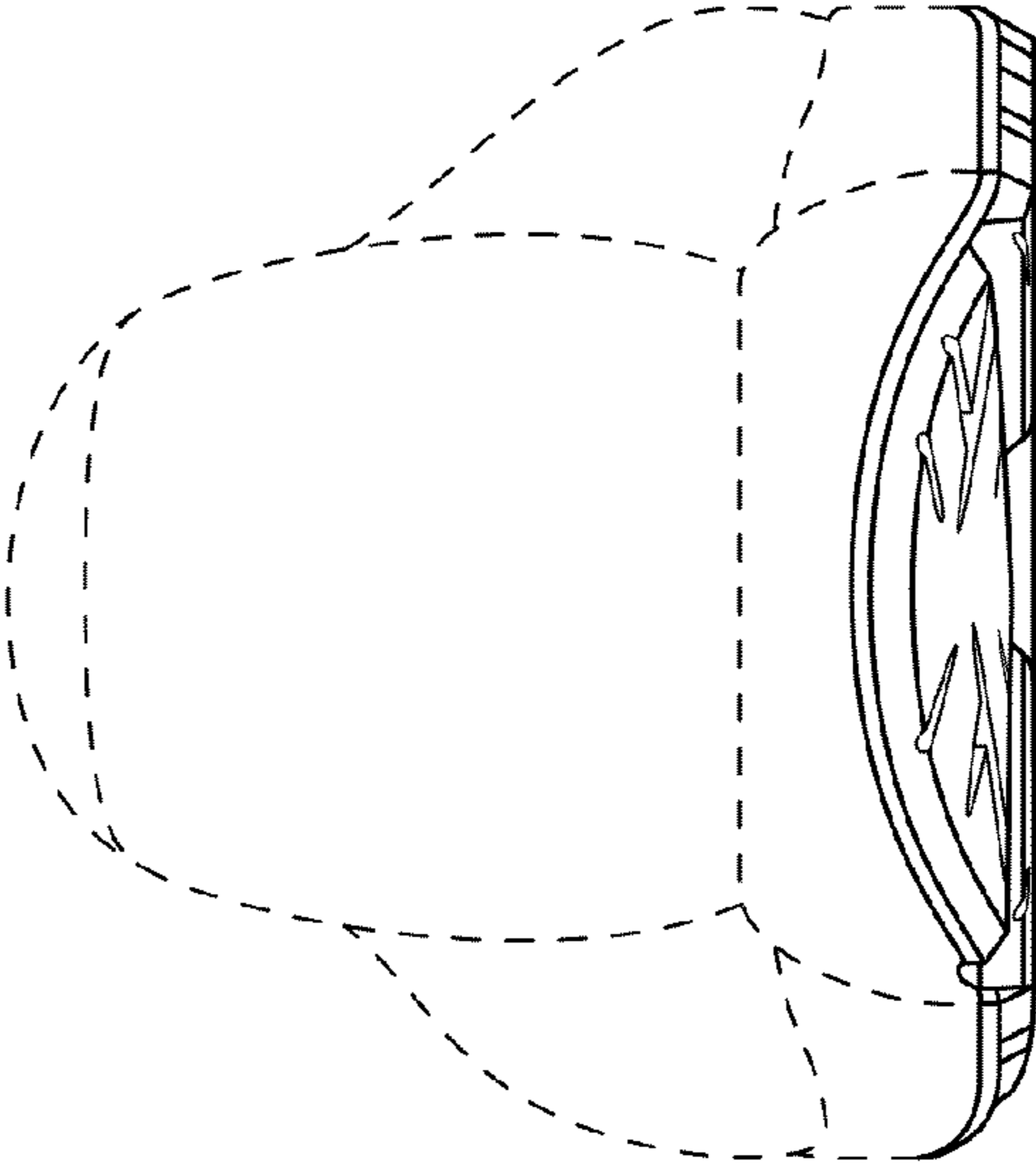


Fig. 6

