



US00D724821S

(12) **United States Design Patent**
Kim

(10) **Patent No.:** **US D724,821 S**
(45) **Date of Patent:** **** Mar. 24, 2015**

(54) **HAT WITH VISOR-SHAPED INNER PLATE**

(71) Applicant: **Sung Jin Kim**, Yongin (KR)

(72) Inventor: **Sung Jin Kim**, Yongin (KR)

(73) Assignee: **DADA Corporation**, Seoul (KR)

(**) Term: **14 Years**

(21) Appl. No.: **29/463,109**

(22) Filed: **Jul. 31, 2013**

(51) **LOC (10) Cl.** **02-03**

(52) **U.S. Cl.**
USPC **D2/892**

(58) **Field of Classification Search**

USPC D2/865, 866, 871, 872, 873, 875, 876,
D2/879, 882, 884, 891, 892, 893, 894, 895,
D2/886, 869; 2/10, 171.1, 171.5, 182.1,
2/182.2, 182.6, 183, 425, 171.4, 171.7,
2/171.8, 181, 181.2, 181.4, 181.6, 181.8,
2/195.1, 195.2, 195.6, 209.12, 209.13,
2/182.3, 182.4, 182.5, 182.7, 182.8,
2/209.11, 209.3, 209.4, 209.5, 209.7,
2/175.1, 175.2, 175.3, 175.4, 175.5,
2/175.6, 195.3, 195.4, 195.5

See application file for complete search history.

(56) **References Cited**

U.S. PATENT DOCUMENTS

3,072,915 A * 1/1963 Henschel 2/195.6
4,222,125 A * 9/1980 Sewell-Wood 2/195.1
D285,981 S 10/1986 Ekins
4,686,713 A * 8/1987 Coleman et al. 2/12
D294,877 S 3/1988 Burley
D349,389 S 8/1994 Phillips
D349,596 S 8/1994 Booth
5,410,761 A * 5/1995 Connelly et al. 2/195.1
D377,108 S 1/1997 Schulz
D377,708 S 2/1997 Bay, Jr.

(Continued)

FOREIGN PATENT DOCUMENTS

KR 300710508.0000 * 10/2013
KR 300710509.0000 * 10/2013
RU 00058838 * 4/2006

OTHER PUBLICATIONS

Vintage NFL "LA Raiders" Snapback Cap (on-line), posted Apr. 21, 2011. Retrieved from Internet Oct. 8, 2014, URL: <http://ohsnapbacks.com/2011/04/21/vintage-x-nfl-la-raiders-snapback-cap/> (4 pages).*

Primary Examiner — Karen E. Eldridge Powers

Assistant Examiner — Kimberly Barnes

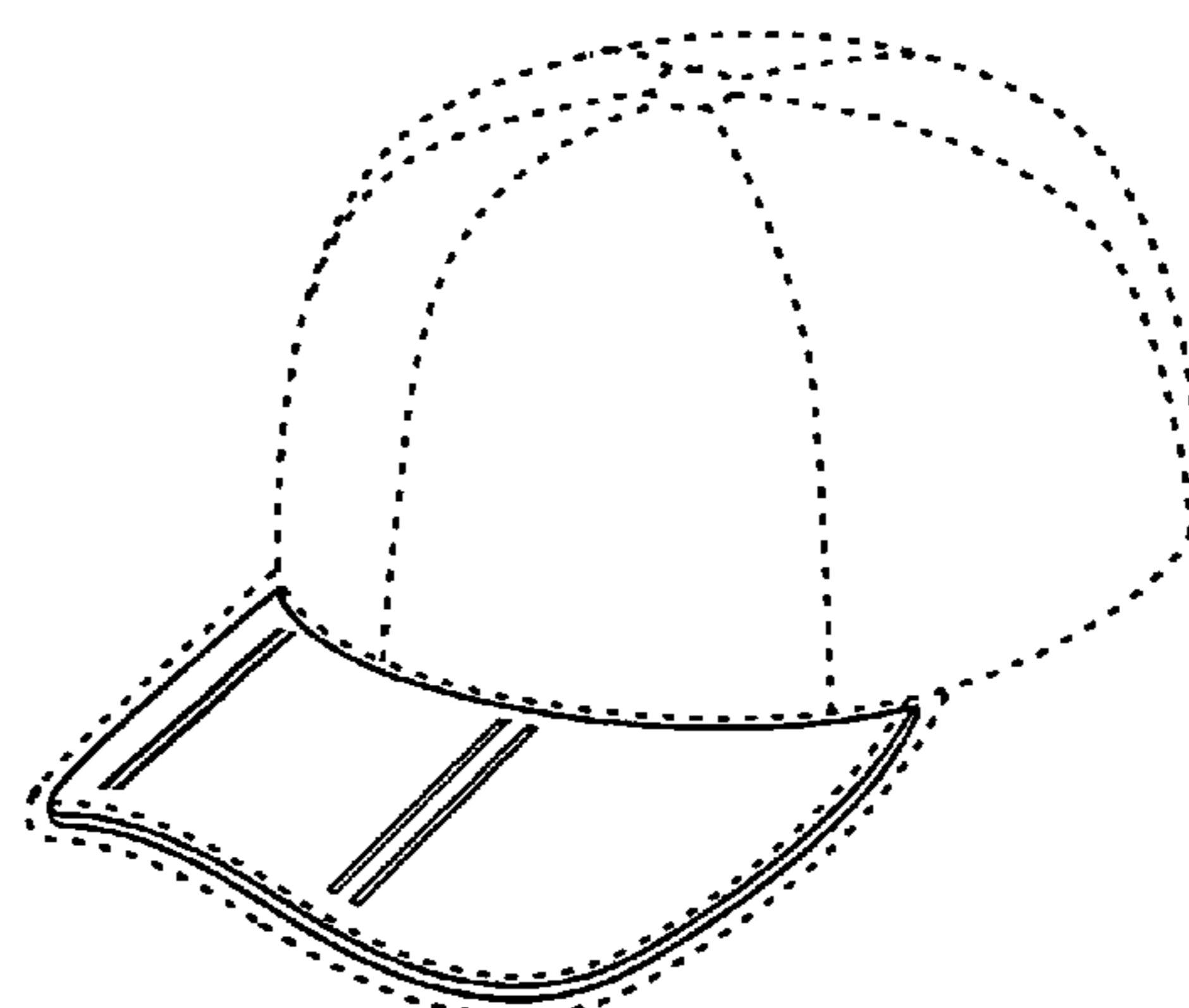
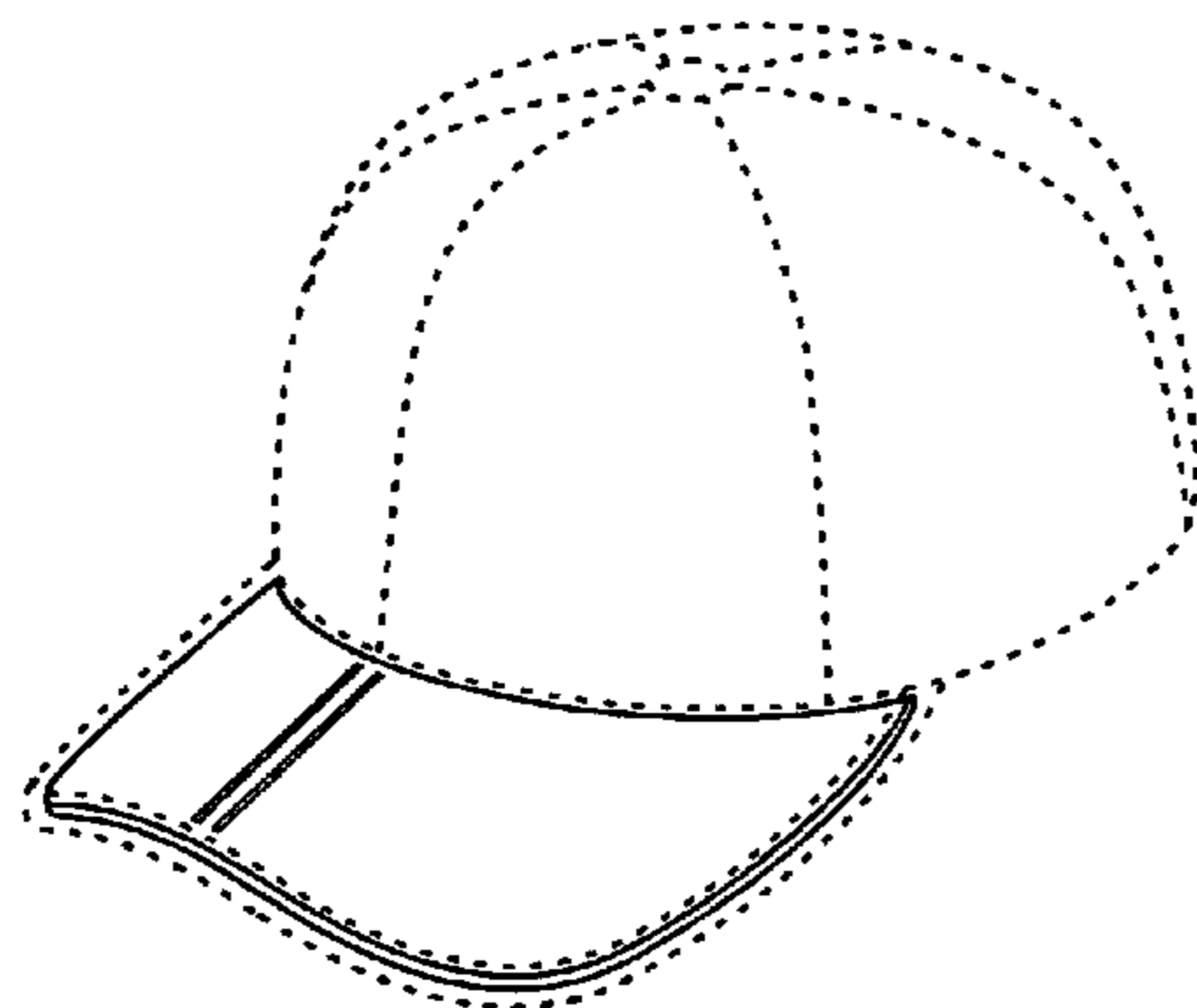
(57) **CLAIM**

The ornamental design for a hat with visor-shaped inner plate, as shown and described.

DESCRIPTION

FIG. 1 is a perspective view of a first embodiment of a hat with visor-shaped inner plate showing my new design; FIG. 2 is a front elevation view of the hat with visor-shaped inner plate shown in FIG. 1; FIG. 3 is a rear elevation view thereof; FIG. 4 is a right side elevation view thereof; FIG. 5 is a perspective view of a second embodiment of a hat with visor-shaped inner plate; FIG. 6 is a front elevation view of the hat with visor-shaped inner plate shown in FIG. 5; FIG. 7 is a rear elevation view thereof; FIG. 8 is a right side elevation view thereof; FIG. 9 is a perspective view of a cap having a first embodiment of a hat with visor-shaped inner plate inserted into the visor portion thereof; and, FIG. 10 is a perspective view of a cap having a second embodiment of a hat with visor-shaped inner plate inserted into the visor portion thereof. The broken line showing of a cap in FIGS. 9 and 10, respectively, are for the purpose of illustrating the environment in which the design is associated and forms no part of the claimed design.

1 Claim, 5 Drawing Sheets



(56)

References Cited

U.S. PATENT DOCUMENTS

5,676,449	A *	10/1997	Newsome	362/106	6,408,443	B1 *	6/2002	Park	2/195.1
D396,945	S	8/1998	Glass		D469,242	S *	1/2003	Park	D2/882
D417,334	S *	12/1999	Wands	D2/893	6,634,030	B2 *	10/2003	Park	2/195.6
6,122,774	A *	9/2000	Park	2/181	D493,607	S *	8/2004	Park	D2/893
6,138,279	A *	10/2000	Gore	2/175.5	D507,092	S *	7/2005	Kim	D2/876
6,163,888	A *	12/2000	Park	2/183	D519,717	S *	5/2006	Kim	D2/893
D441,938	S *	5/2001	Davis	D2/882	7,082,618	B1 *	8/2006	Muso	2/175.1
6,311,331	B1 *	11/2001	Park	2/195.1	D627,140	S *	11/2010	Dyer	D2/866
					2009/0260131	A1 *	10/2009	Kim	2/195.1
					2014/0137311	A1 *	5/2014	Sandoval	2/181

* cited by examiner

FIG. 1

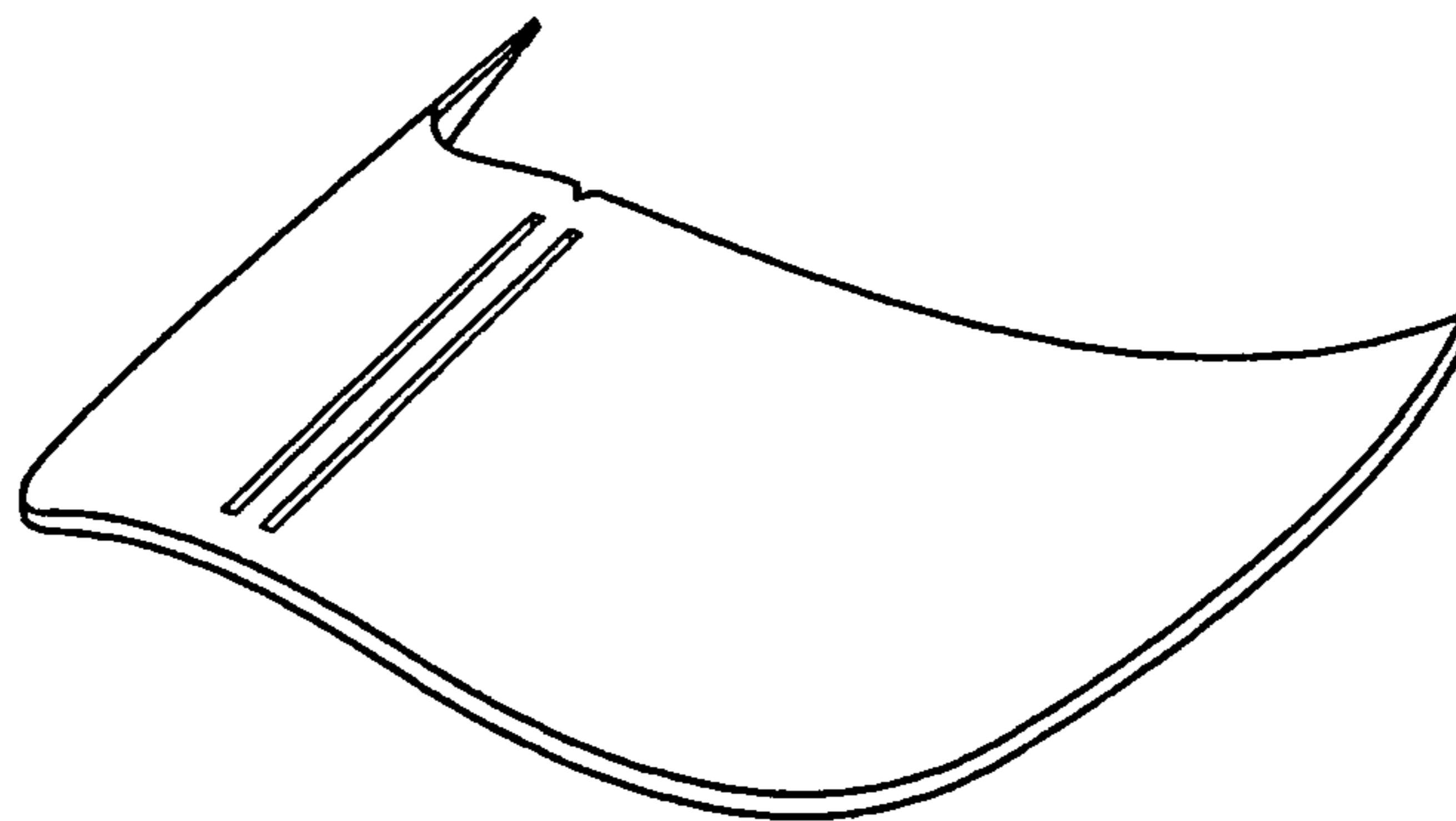


FIG. 2

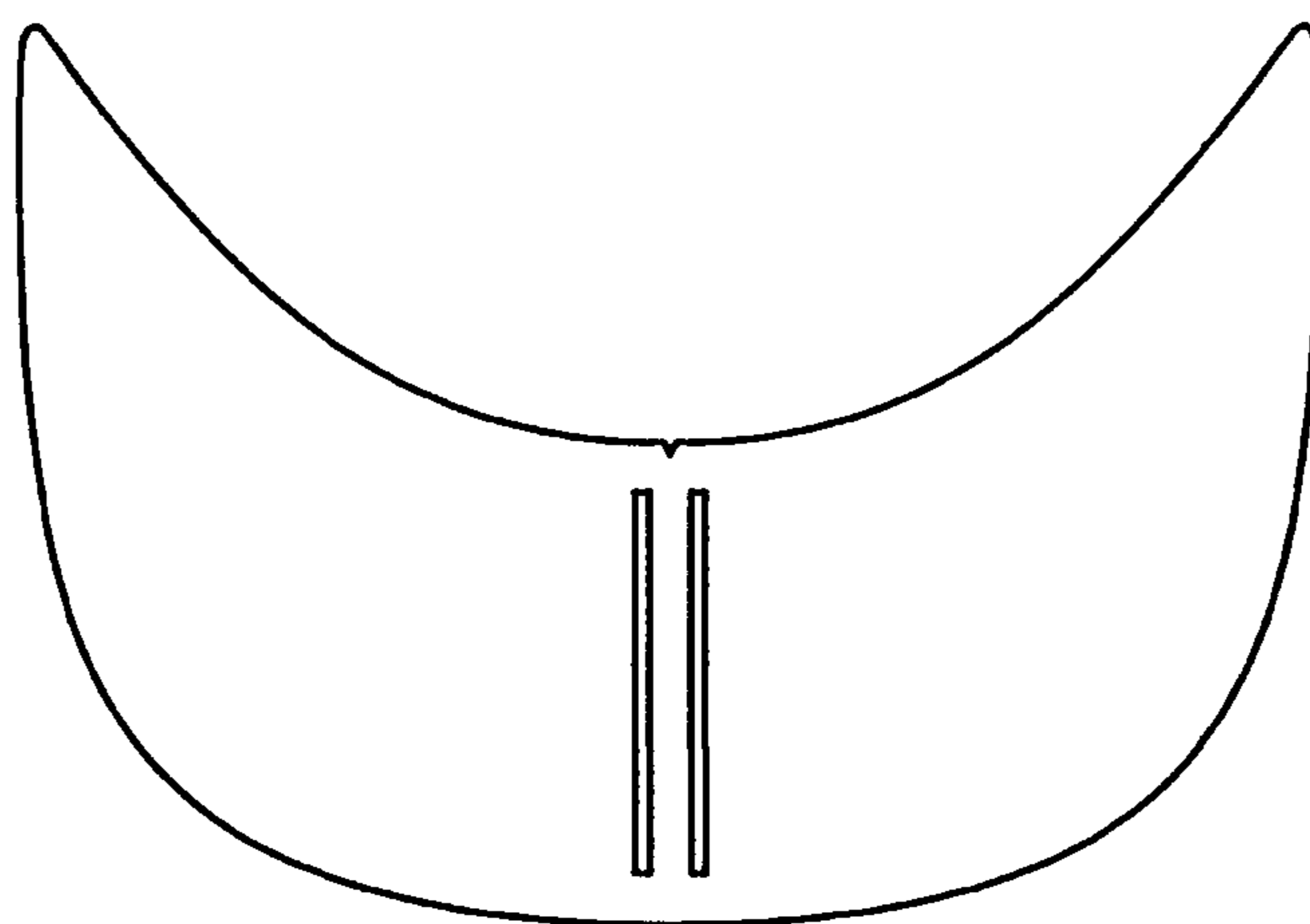


FIG. 3

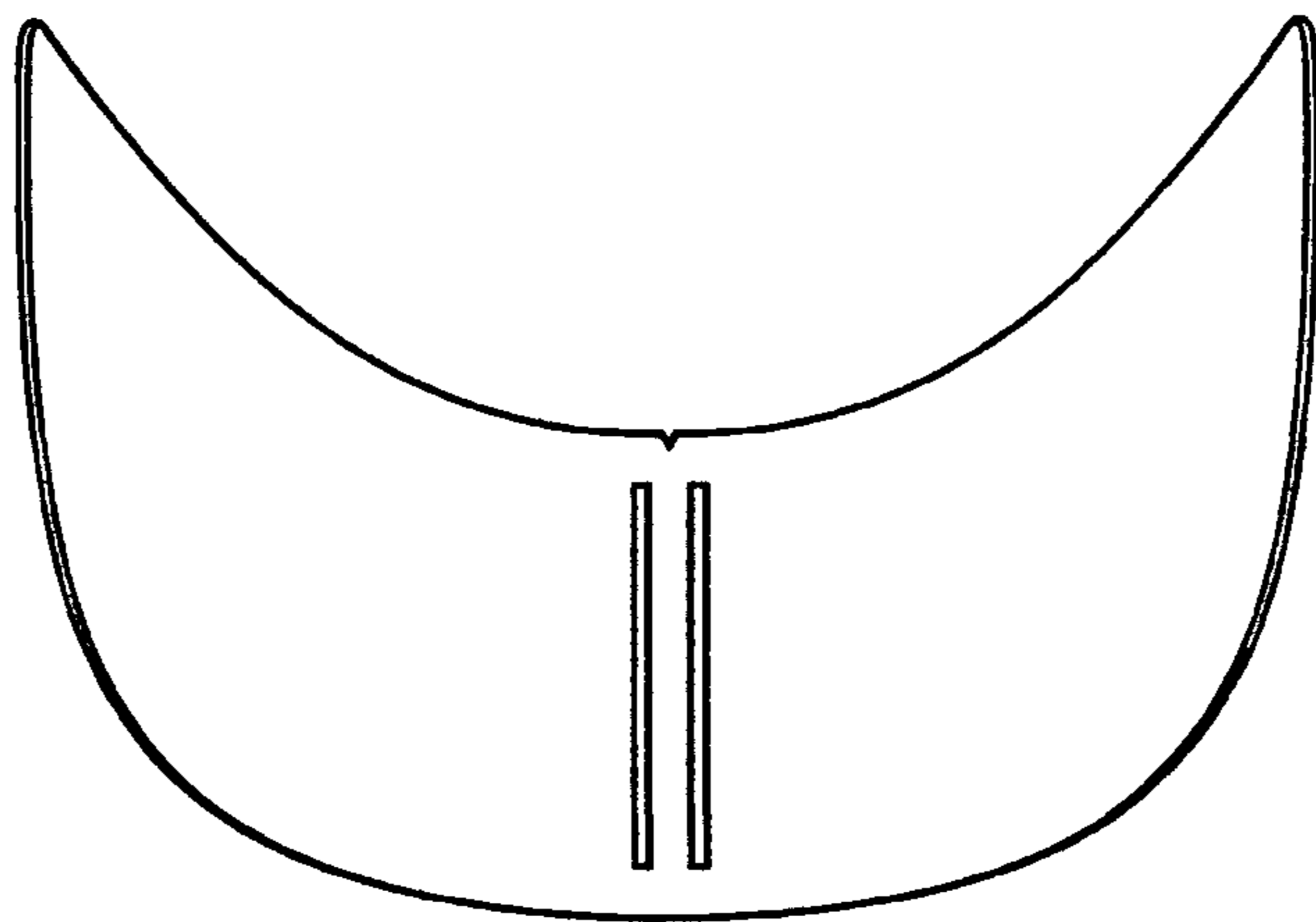


FIG. 4

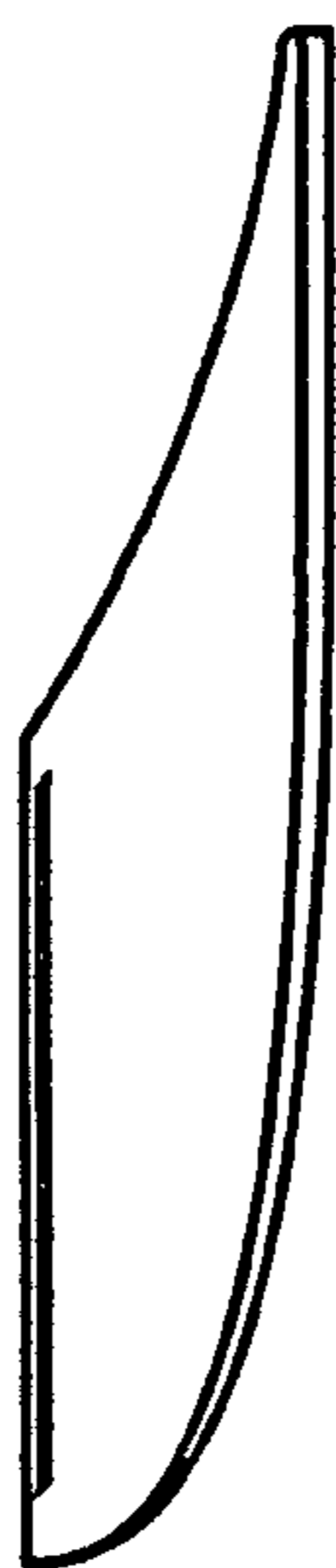


FIG. 5

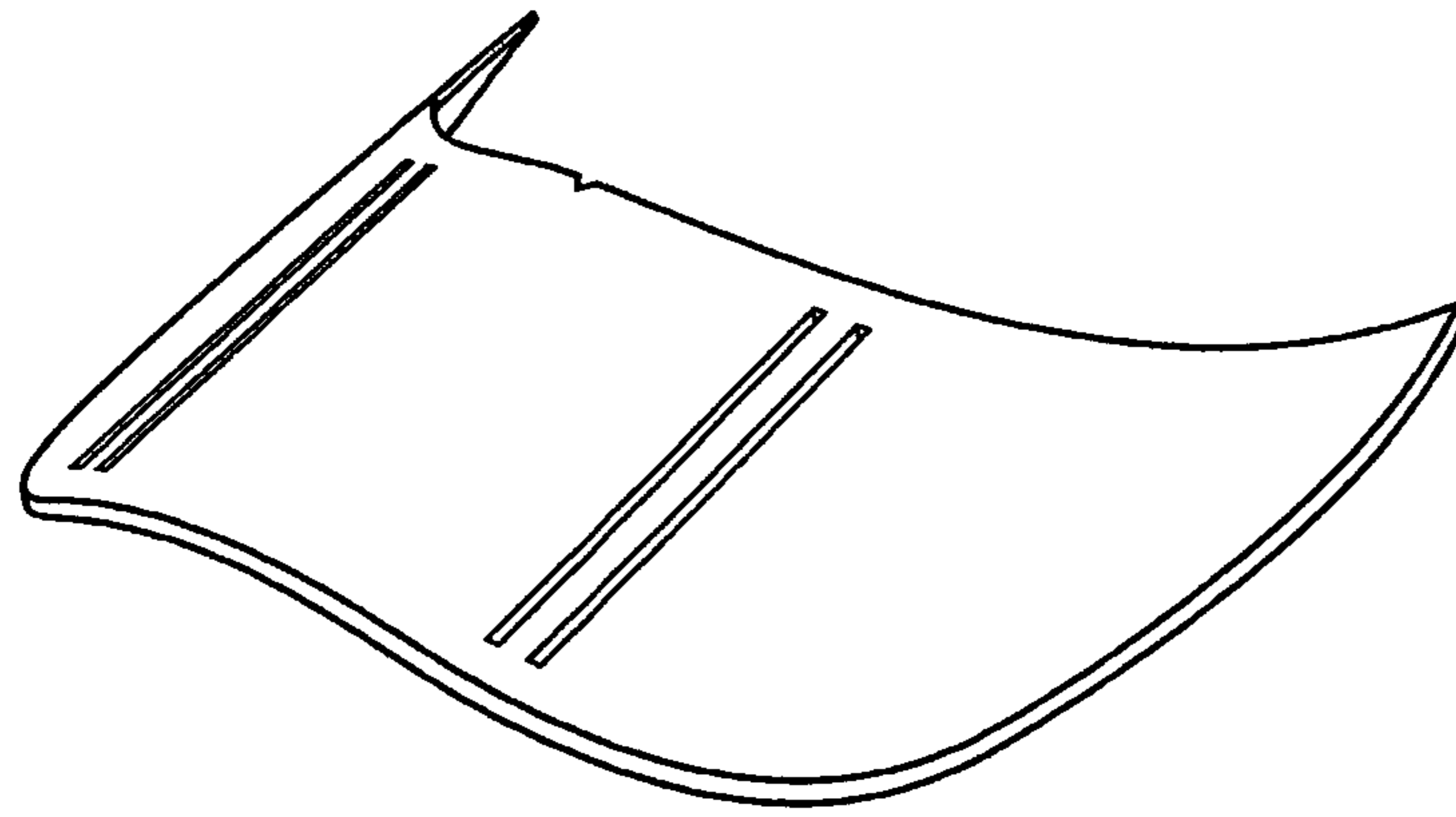


FIG. 6

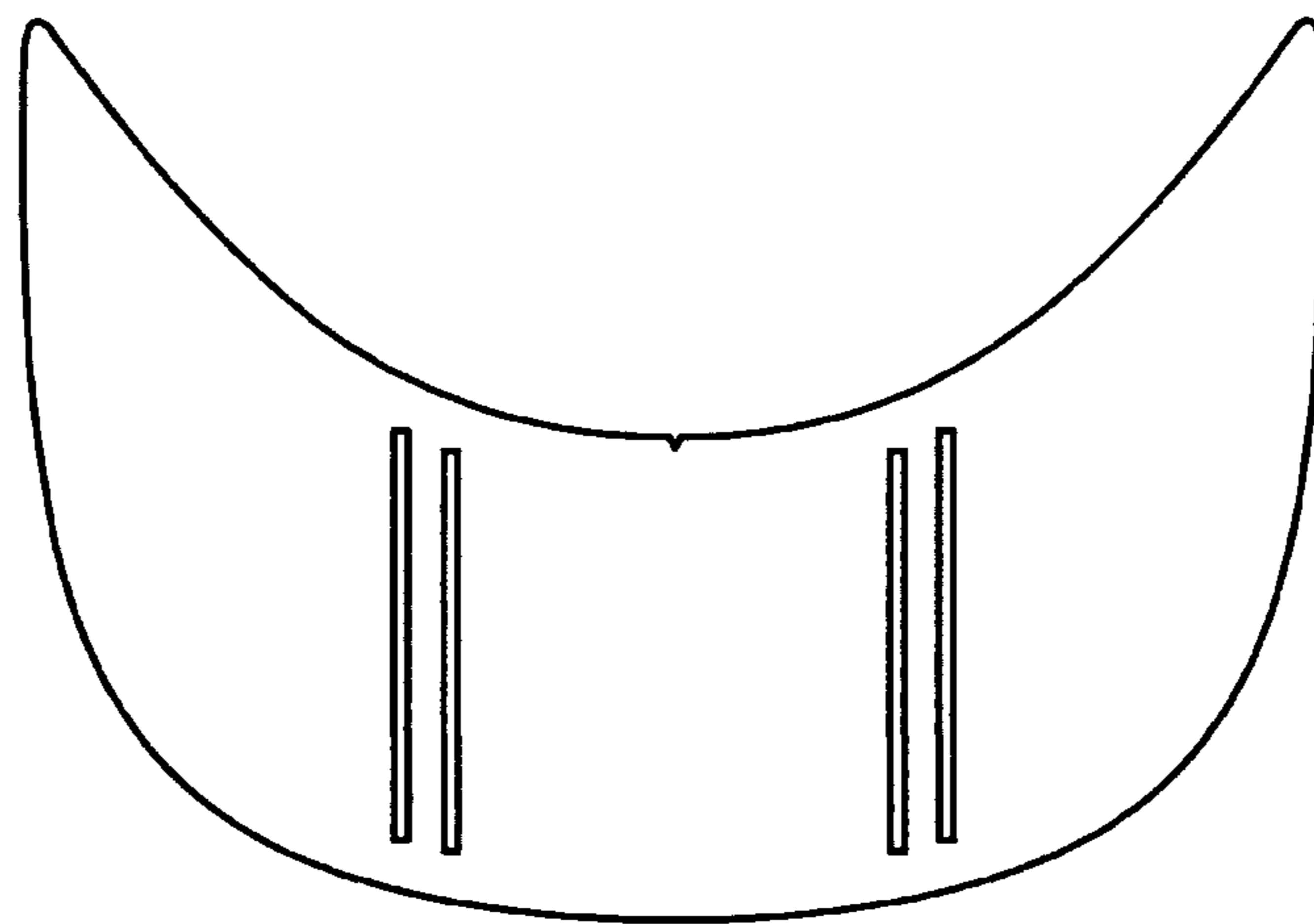


FIG. 7

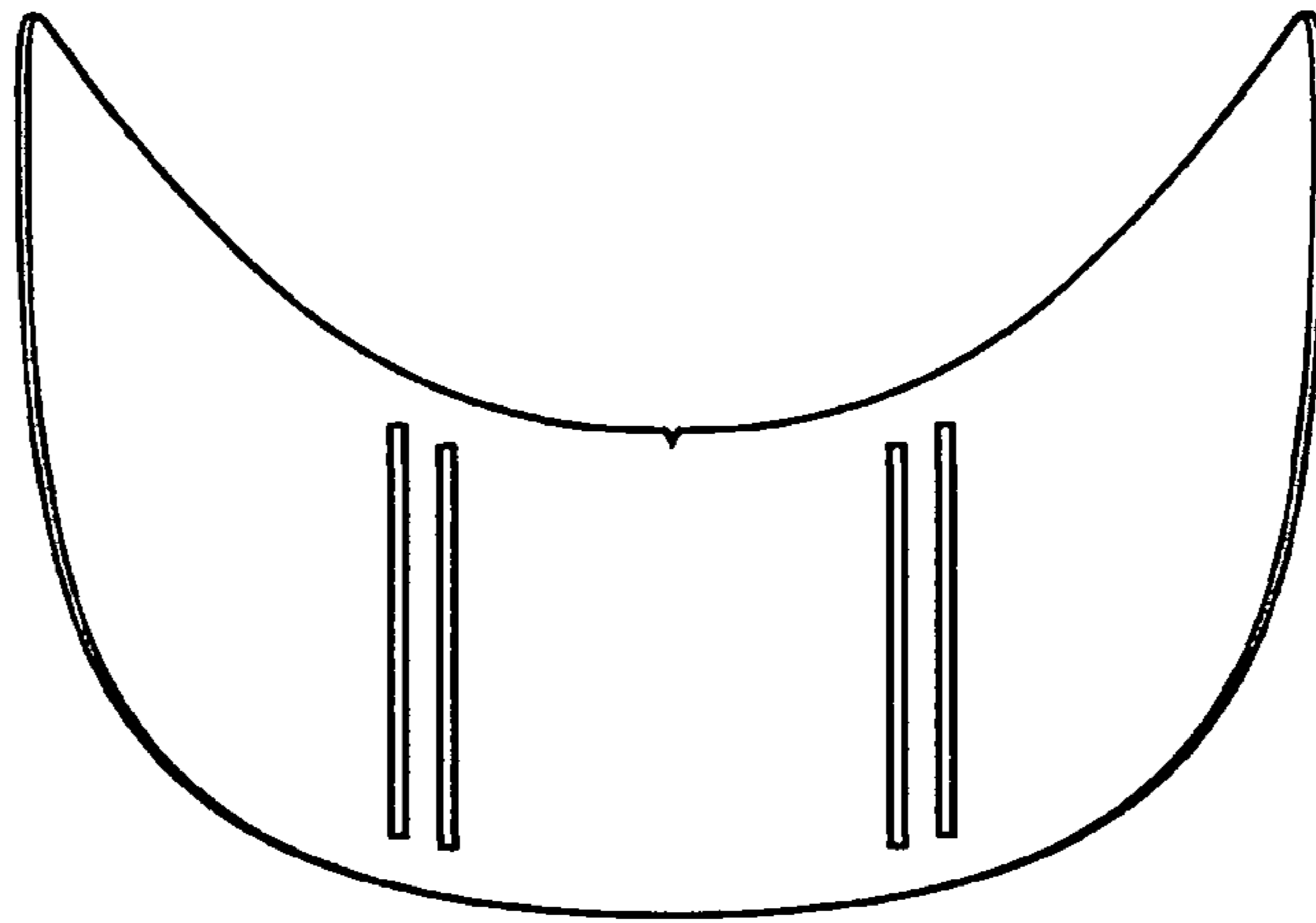


FIG. 8



FIG. 9

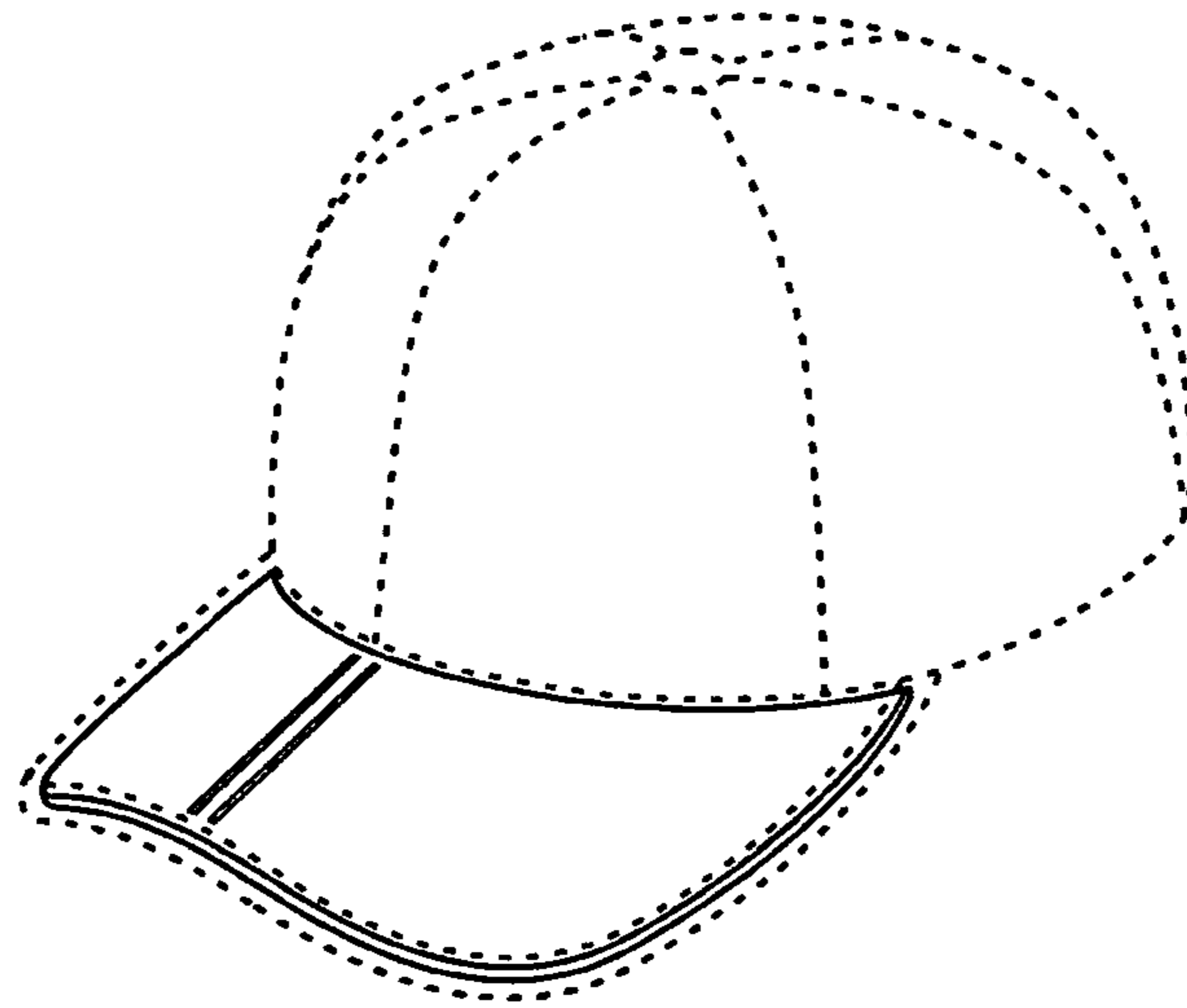


FIG. 10

