

US00D724814S

(12) **United States Design Patent**
Scheib

(10) **Patent No.:** **US D724,814 S**
(45) **Date of Patent:** **** Mar. 17, 2015**

(54) **CASH BOX**

(71) Applicant: **Robert Alan Scheib**, Emporia, KS (US)

(72) Inventor: **Robert Alan Scheib**, Emporia, KS (US)

(**) Term: **14 Years**

(21) Appl. No.: **29/481,769**

(22) Filed: **Feb. 10, 2014**

(51) **LOC (10) Cl.** **99-00**

(52) **U.S. Cl.**
USPC **D99/34**

(58) **Field of Classification Search**
USPC D99/28, 34, 35, 36, 43, 99; D14/900,
D14/901, 902; D18/1, 3.1, 3.2, 3.3, 4.1, 4.2,
D18/4.4, 6, 7, 12.1; 206/0.8, 0.81, 0.815,
206/0.82, 0.83, 0.84; 101/66; 109/1 R, 1 V,
109/2, 23, 24.1, 25, 45, 58, 66; 446/8-13;
453/1-3, 58, 61, 63; 232/1 R, 1 C, 1 D,
232/1 E, 2, 4 R, 4 D, 7, 10, 15, 64; 53/212,
53/213

See application file for complete search history.

(56) **References Cited**

U.S. PATENT DOCUMENTS

2,735,541	A *	2/1956	Mosler	206/0.81
D260,099	S *	8/1981	Sakamoto	D18/4.1
D261,004	S *	9/1981	Jinbo et al.	D18/4.1
D266,114	S *	9/1982	Berkheij	D99/34
D273,908	S *	5/1984	Hoogeveen	D99/28
D283,822	S *	5/1986	Ishida	D18/4.1
D285,858	S *	9/1986	Ooki	D99/34
D291,139	S *	7/1987	Warwicker	D99/28
D292,354	S *	10/1987	Seltzer et al.	D6/440
D298,679	S *	11/1988	Casini et al.	D99/28
D319,251	S *	8/1991	Ishida et al.	D18/4.1

D371,887	S *	7/1996	Minagawa et al.	D99/34
D375,972	S *	11/1996	Masuda	D18/4.1
D386,307	S *	11/1997	Naas et al.	D3/294
D393,526	S *	4/1998	Robey et al.	D99/28
D409,352	S *	5/1999	Nolte et al.	D99/28
D439,390	S *	3/2001	Nottingham et al.	D99/34
D460,104	S *	7/2002	Wada	D18/12.1
D466,548	S *	12/2002	Yamashiro	D18/4.1
D474,596	S *	5/2003	Osiecki et al.	D3/273
D517,770	S *	3/2006	Walker	D99/28
D541,045	S *	4/2007	Peart et al.	D3/291
D542,529	S *	5/2007	Peart et al.	D3/276
D558,977	S *	1/2008	Peart et al.	D3/294
D561,994	S *	2/2008	Peart et al.	D3/291
D574,125	S *	7/2008	Gunst et al.	D99/34
D586,975	S *	2/2009	Knox	D99/28
D624,275	S *	9/2010	Min	D99/28
D635,324	S *	3/2011	Plato	D99/28
D644,815	S *	9/2011	Helm et al.	D99/34
D671,705	S *	11/2012	Edmondson	D99/28
D677,855	S *	3/2013	Eick	D99/35
2002/0062767	A1 *	5/2002	Walker	109/67

* cited by examiner

Primary Examiner — Elizabeth J Oswecki

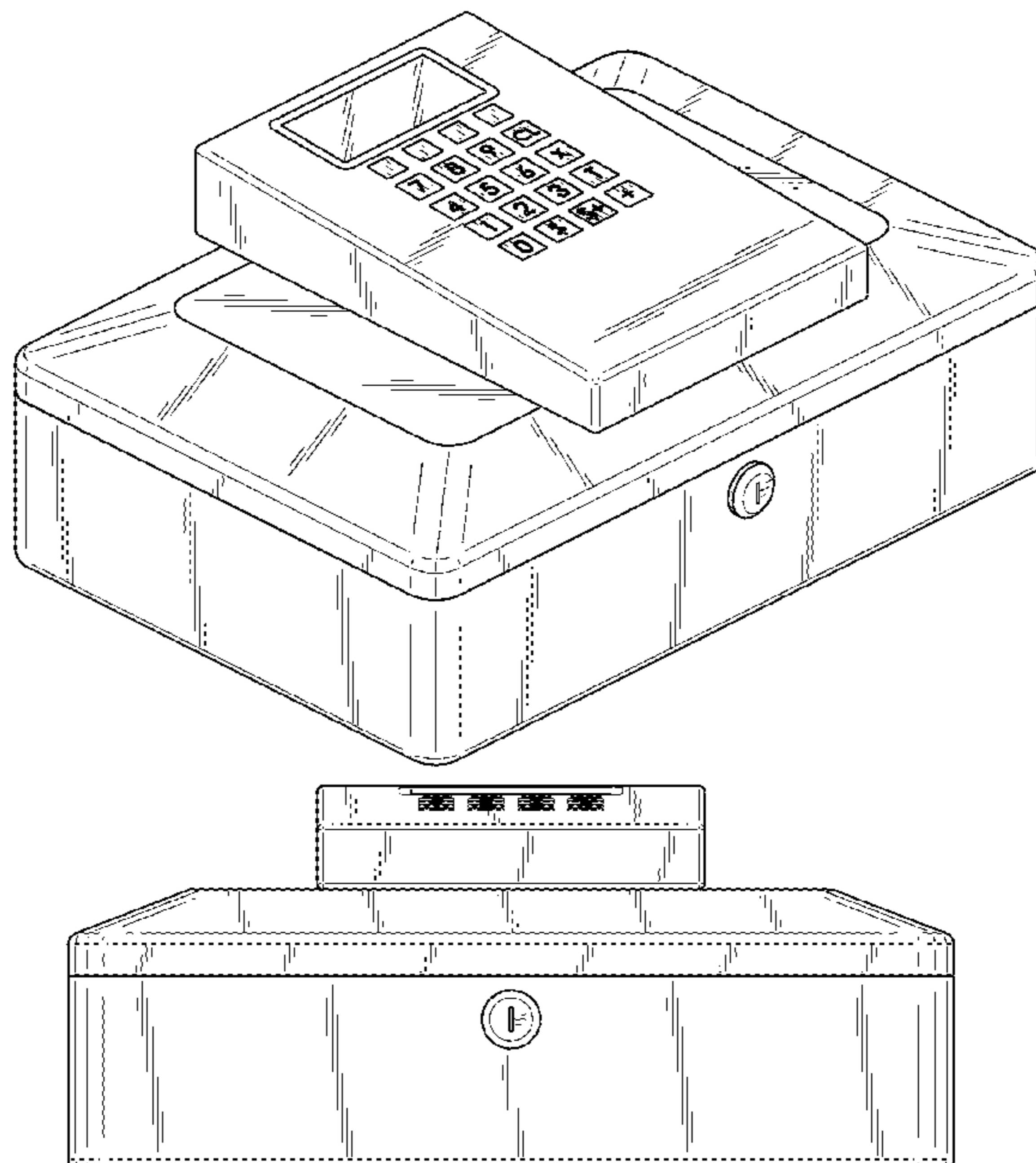
(57) **CLAIM**

The ornamental design for a cash box, as shown and described.

DESCRIPTION

FIG. 1 is a front perspective view of a cash box, showing my new design;
FIG. 2 is a front elevation view thereof;
FIG. 3 is a rear elevation view thereof;
FIG. 4 is a left side elevation view thereof, the right side elevation view is a mirror image thereof;
FIG. 5 is a top plan view thereof; and,
FIG. 6 is a bottom plan view thereof.

1 Claim, 3 Drawing Sheets



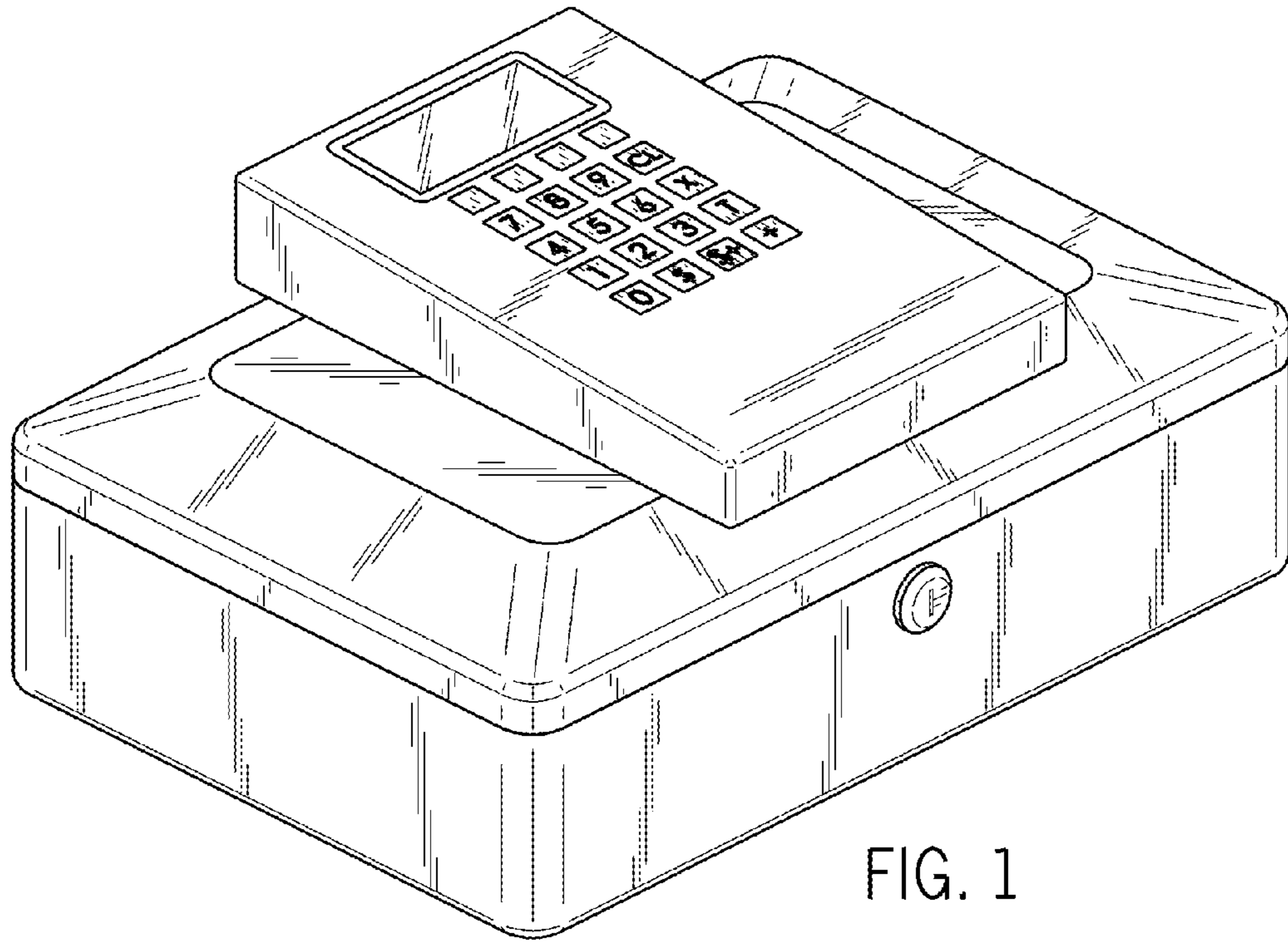


FIG. 1

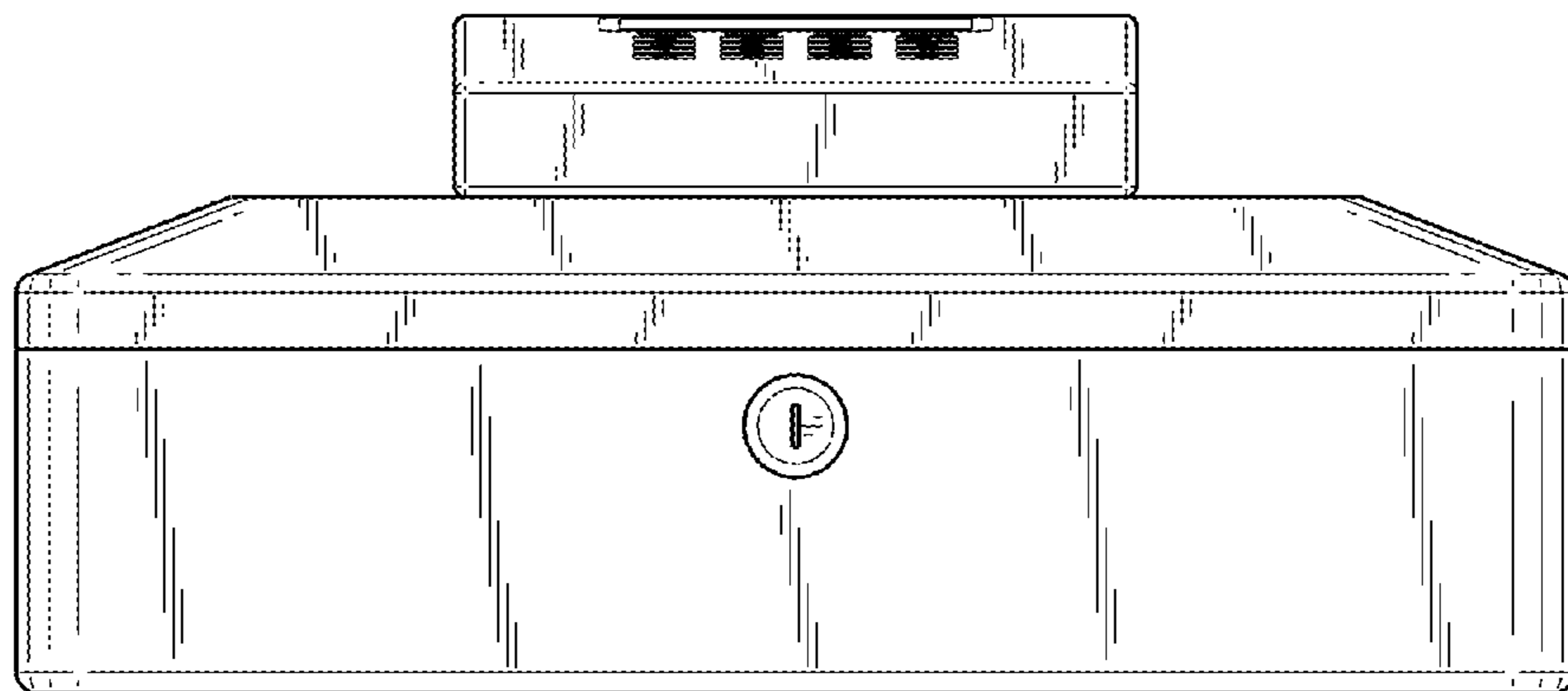


FIG. 2

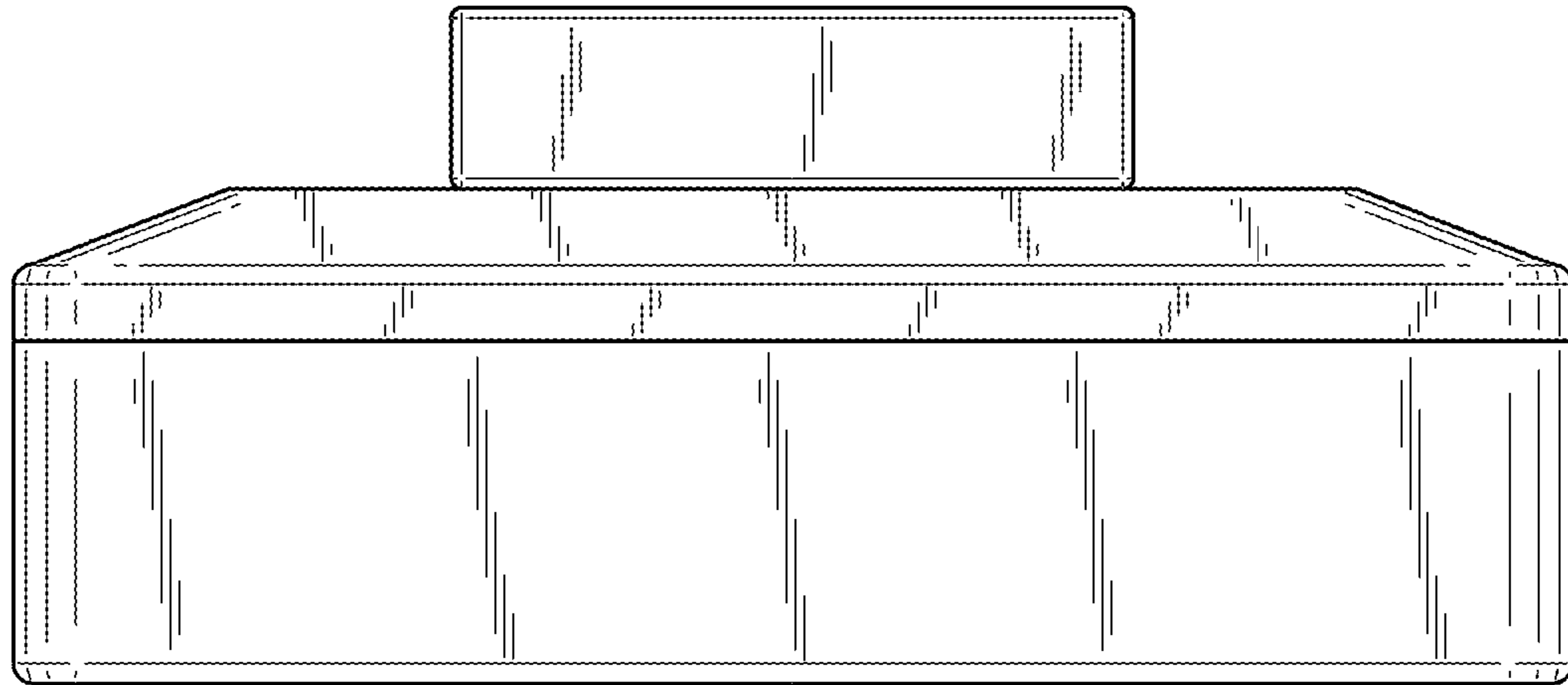


FIG. 3

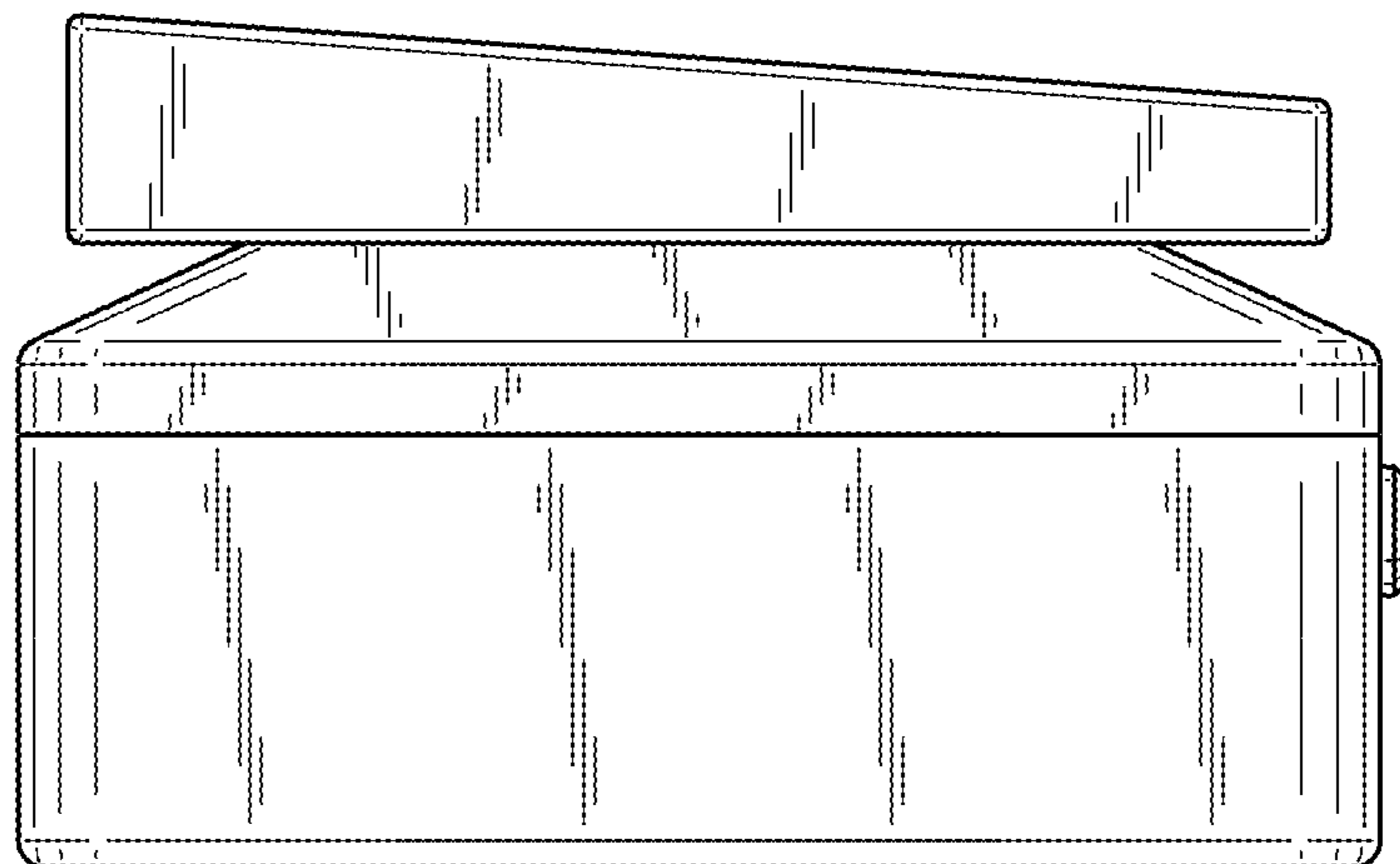


FIG. 4

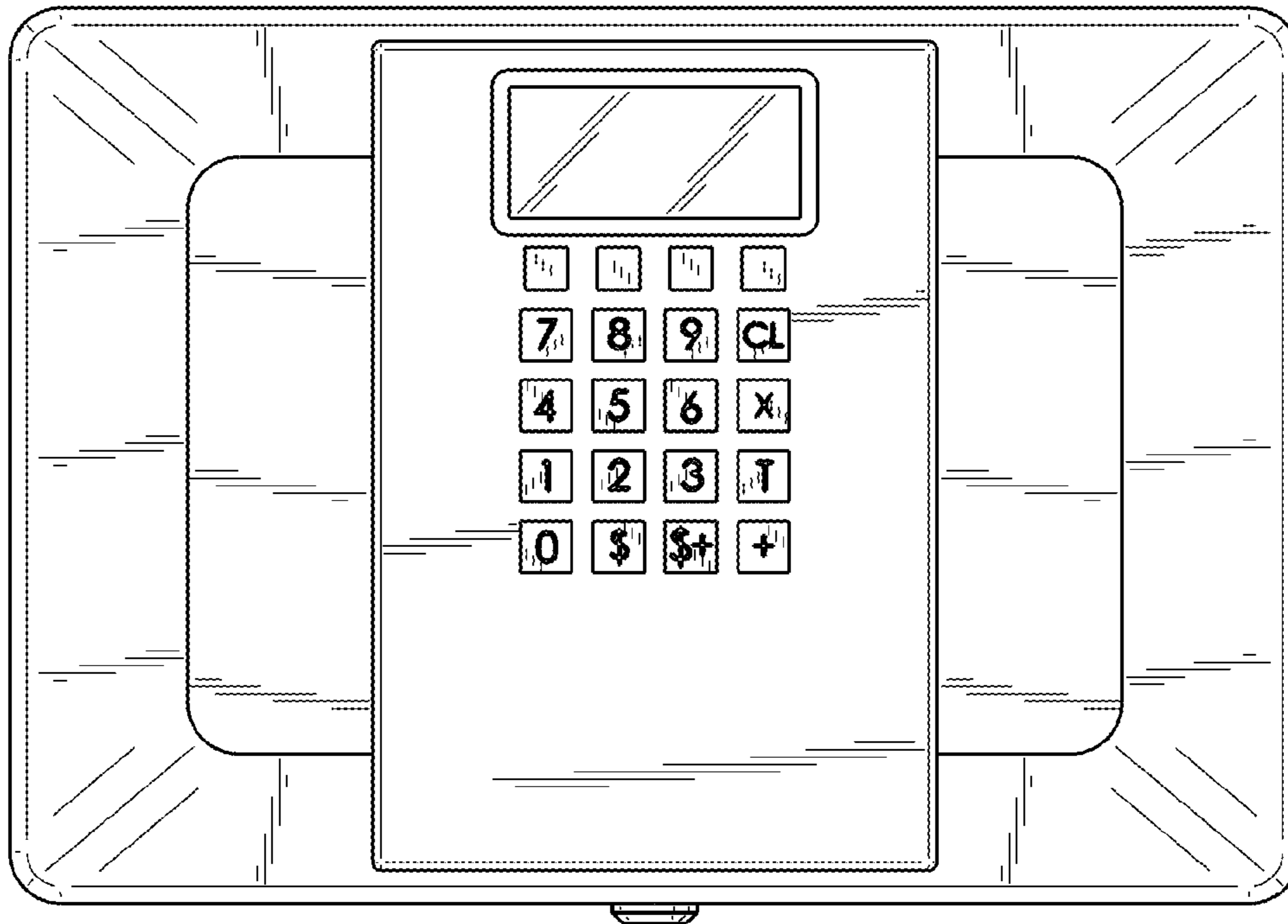


FIG. 5

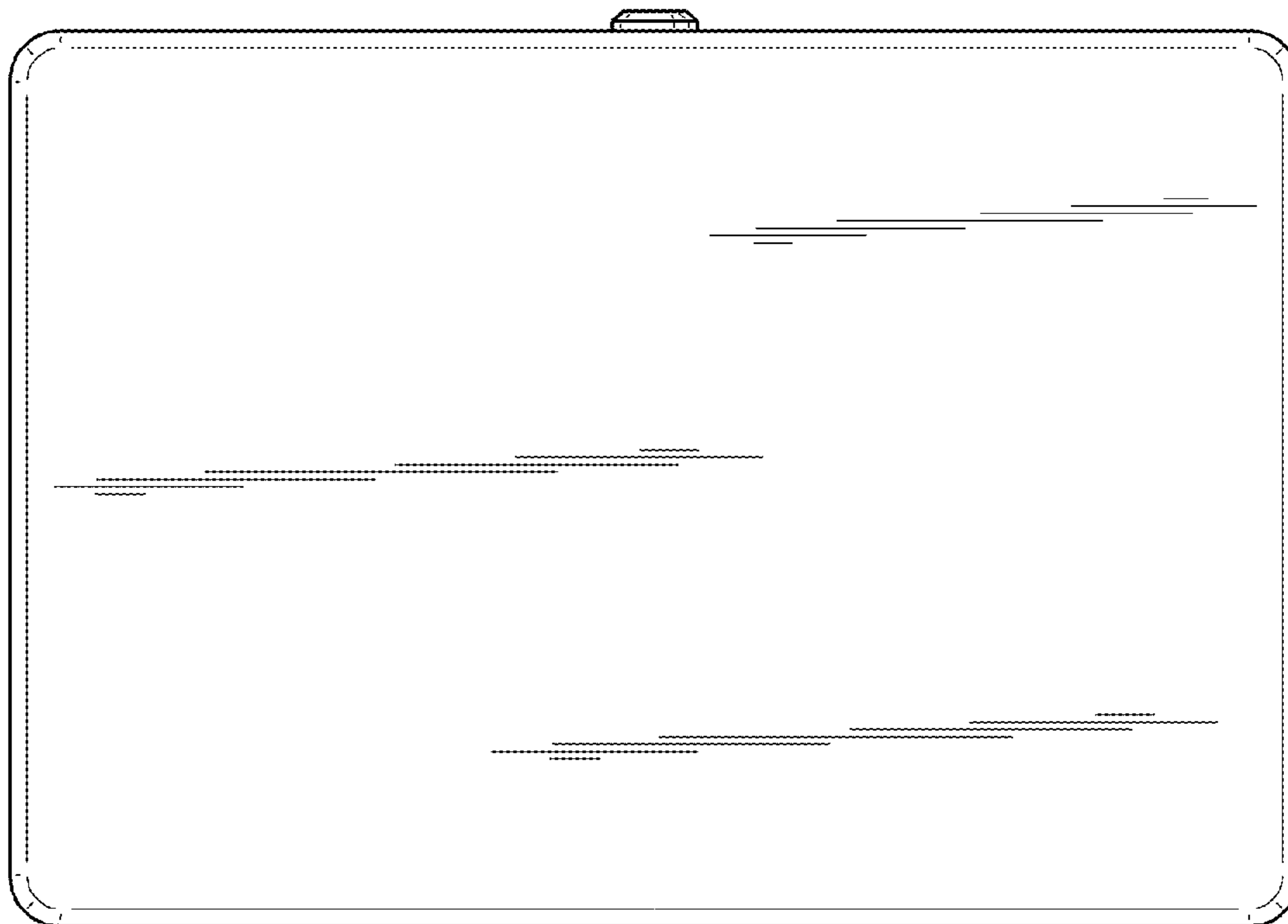


FIG. 6