

US00D724807S

(12) **United States Design Patent**
Gerard

(10) **Patent No.:** **US D724,807 S**
(45) **Date of Patent:** **** Mar. 17, 2015**

- (54) **WASTE RECEPTACLE**
- (71) Applicant: **Anova Furnishings, Inc.**, St. Louis, MO (US)
- (72) Inventor: **Justin Gerard**, Lebanon, IL (US)
- (73) Assignee: **Anova Furnishings, Inc.**, St. Louis, MO (US)
- (**) Term: **14 Years**
- (21) Appl. No.: **29/486,613**
- (22) Filed: **Apr. 1, 2014**
- (51) **LOC (10) Cl.** **09-09**
- (52) **U.S. Cl.**
USPC **D34/7; D34/1**
- (58) **Field of Classification Search**
USPC **D34/1-11; 220/908-913**
See application file for complete search history.

- D420,479 S * 2/2000 Delmerico D34/1
- 6,176,388 B1 * 1/2001 Orndorff 220/662
- D446,373 S * 8/2001 Weiss et al. D34/1
- 7,073,677 B2 * 7/2006 Richardson et al. 220/4.32
- D644,391 S * 8/2011 Kopp et al. D34/7
- D660,539 S * 5/2012 Sheehan D34/7
- D684,332 S * 6/2013 Gollob D34/1
- 8,544,673 B1 * 10/2013 Polk 220/495.09
- D714,009 S * 9/2014 Phillips et al. D34/7

* cited by examiner

Primary Examiner — Cynthia Ramirez
(74) *Attorney, Agent, or Firm* — Lewis, Rice & Fingersh, L.C.

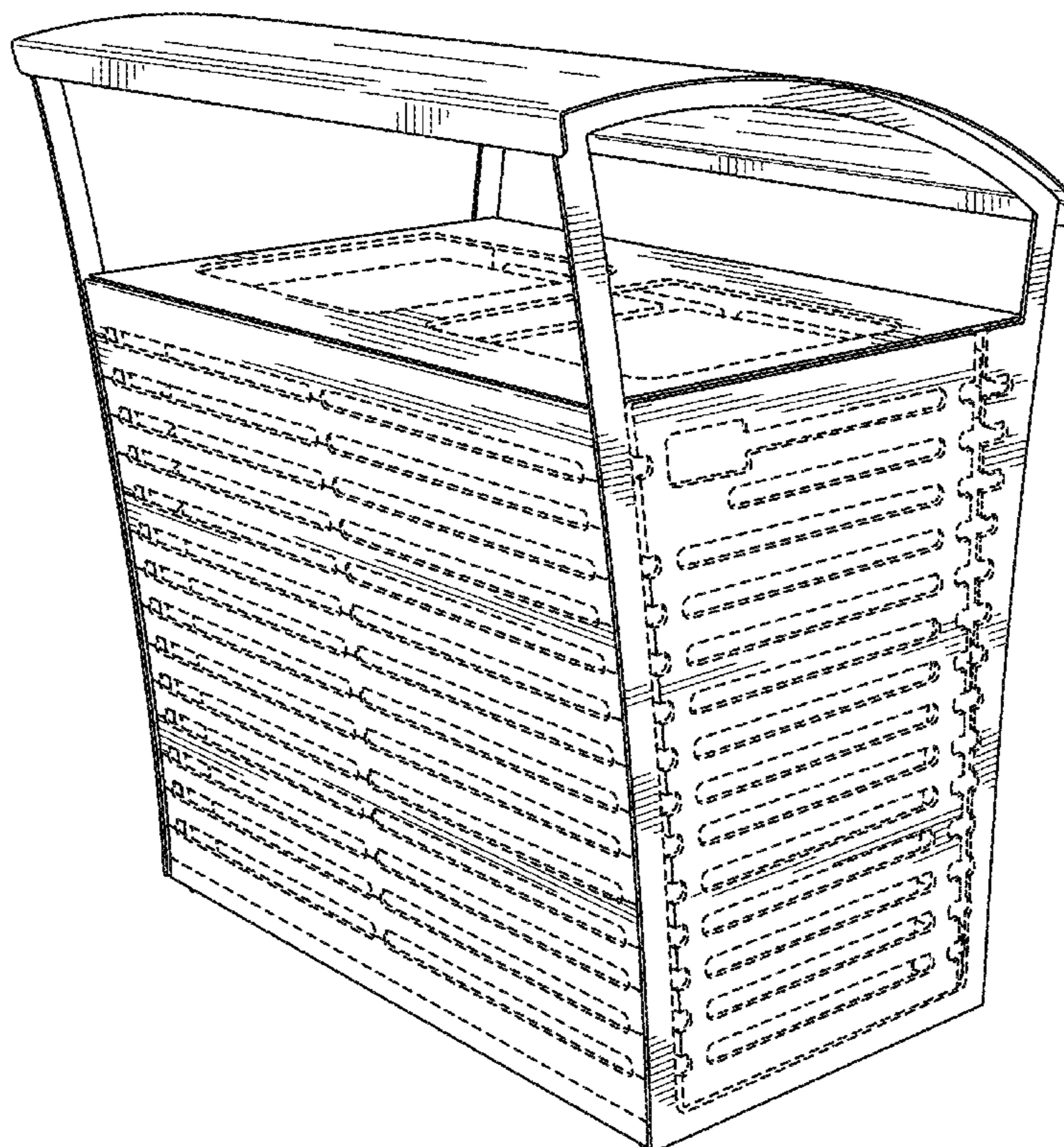
(57) **CLAIM**
The ornamental design for a waste receptacle, as shown and described.

DESCRIPTION

FIG. 1 provides a front perspective view of a waste receptacle. FIG. 2 provides a front view of a waste receptacle. FIG. 3 provides a rear view of a waste receptacle. FIG. 4 provides a left side view of a waste receptacle. FIG. 5 provides a right side view of a waste receptacle; and, FIG. 6 provides a top view of a waste receptacle. The broken lines showing decorative cutouts and the inner can in the figures are to show portions of the waste receptacle and form no part of the claimed design.

1 Claim, 6 Drawing Sheets

- (56) **References Cited**
U.S. PATENT DOCUMENTS
- D142,274 S * 8/1945 Kohen D32/37
- 3,136,575 A * 6/1964 Kolling 294/68.26
- 3,451,582 A * 6/1969 Morgan 220/7
- 3,687,328 A * 8/1972 Spruyt et al. 220/324



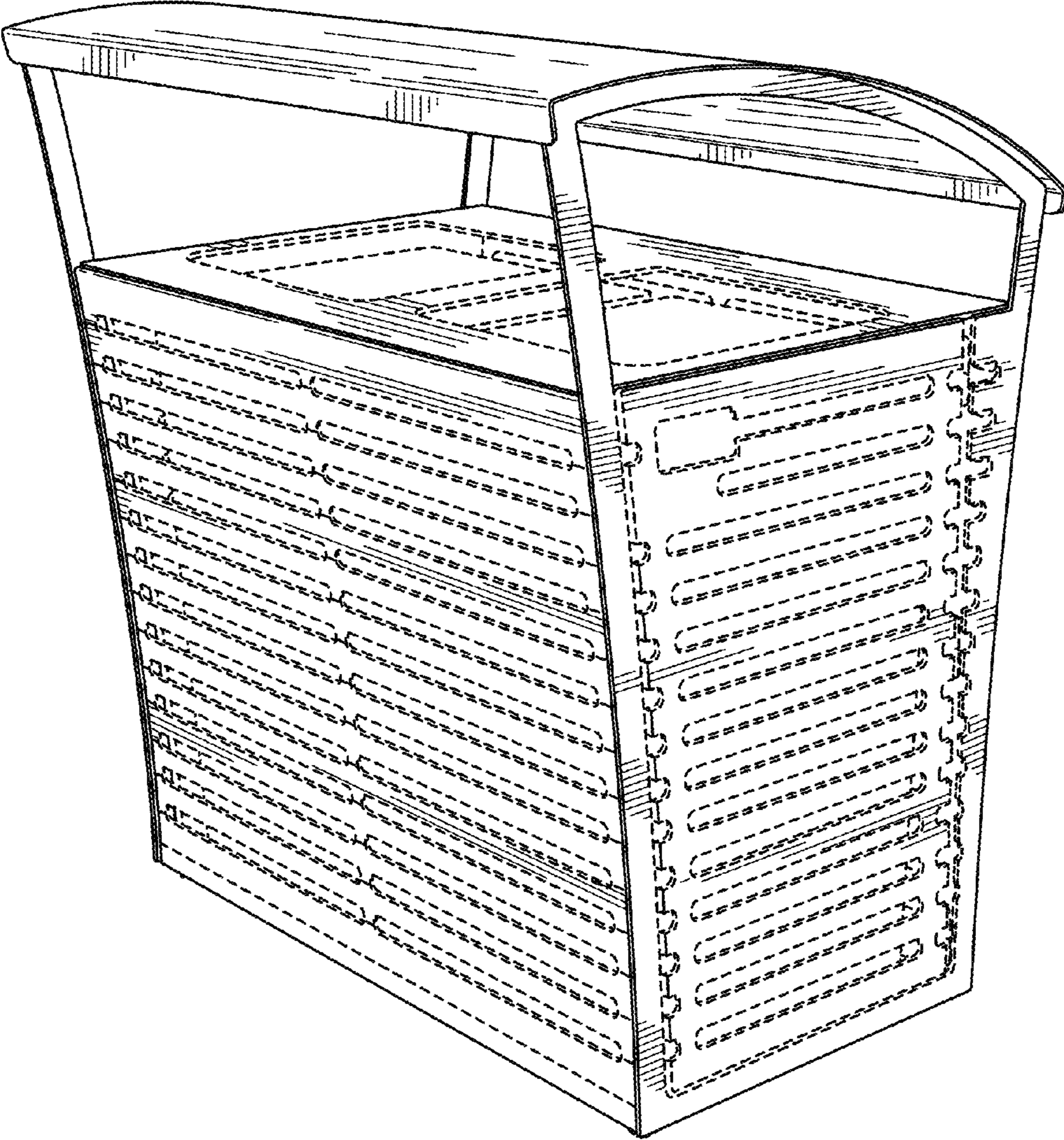


FIG. 1

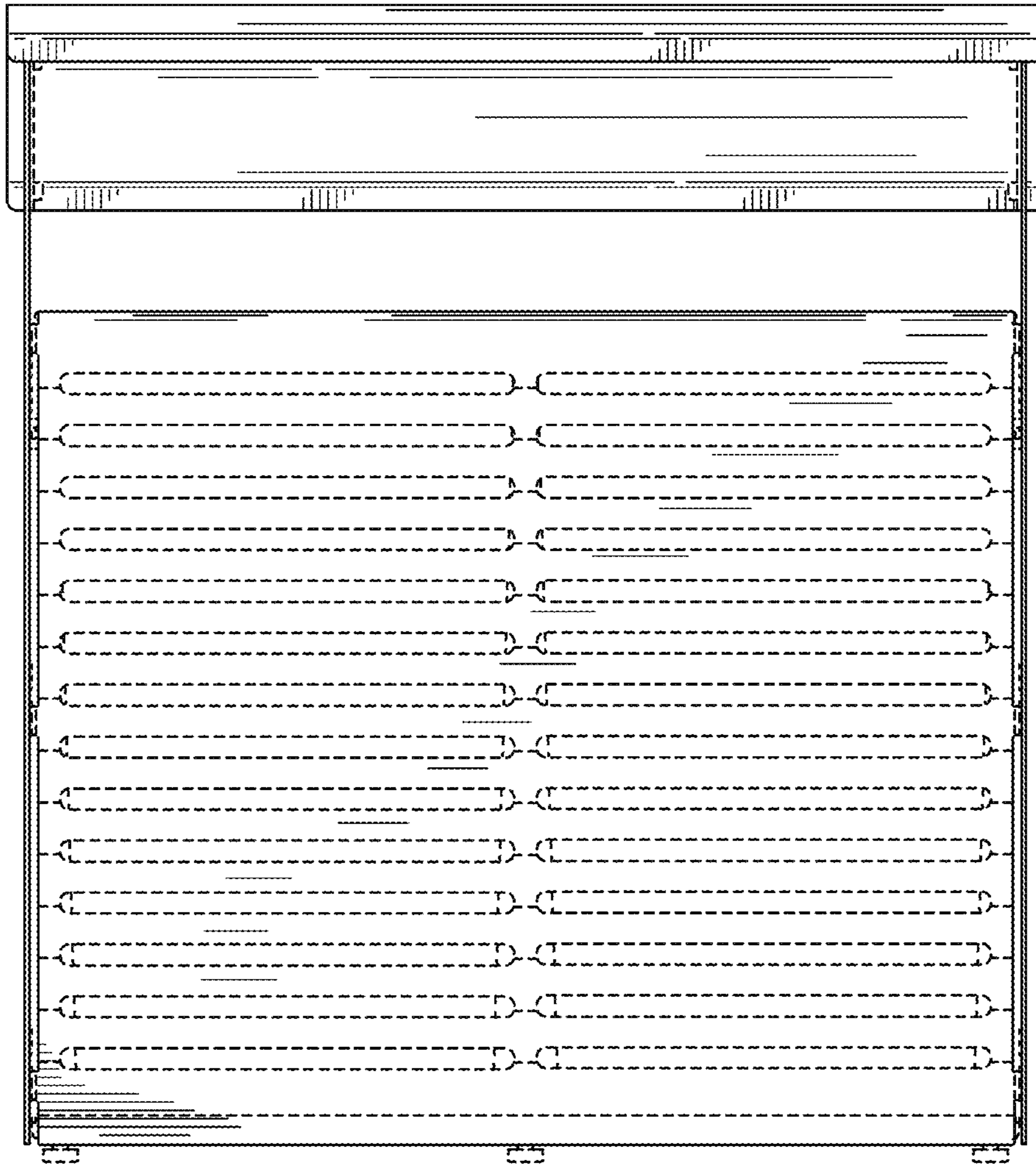


FIG. 2

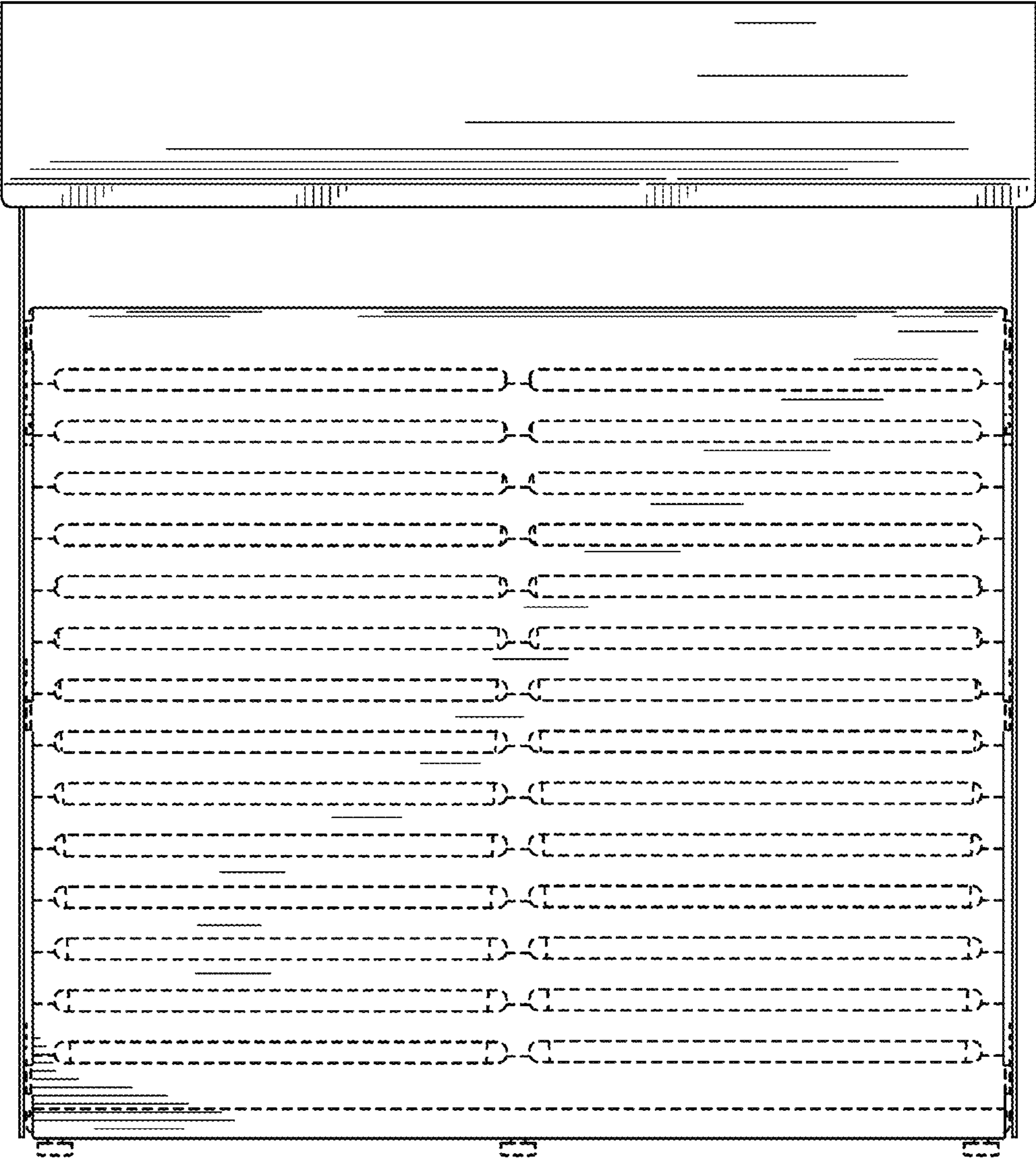


FIG. 3

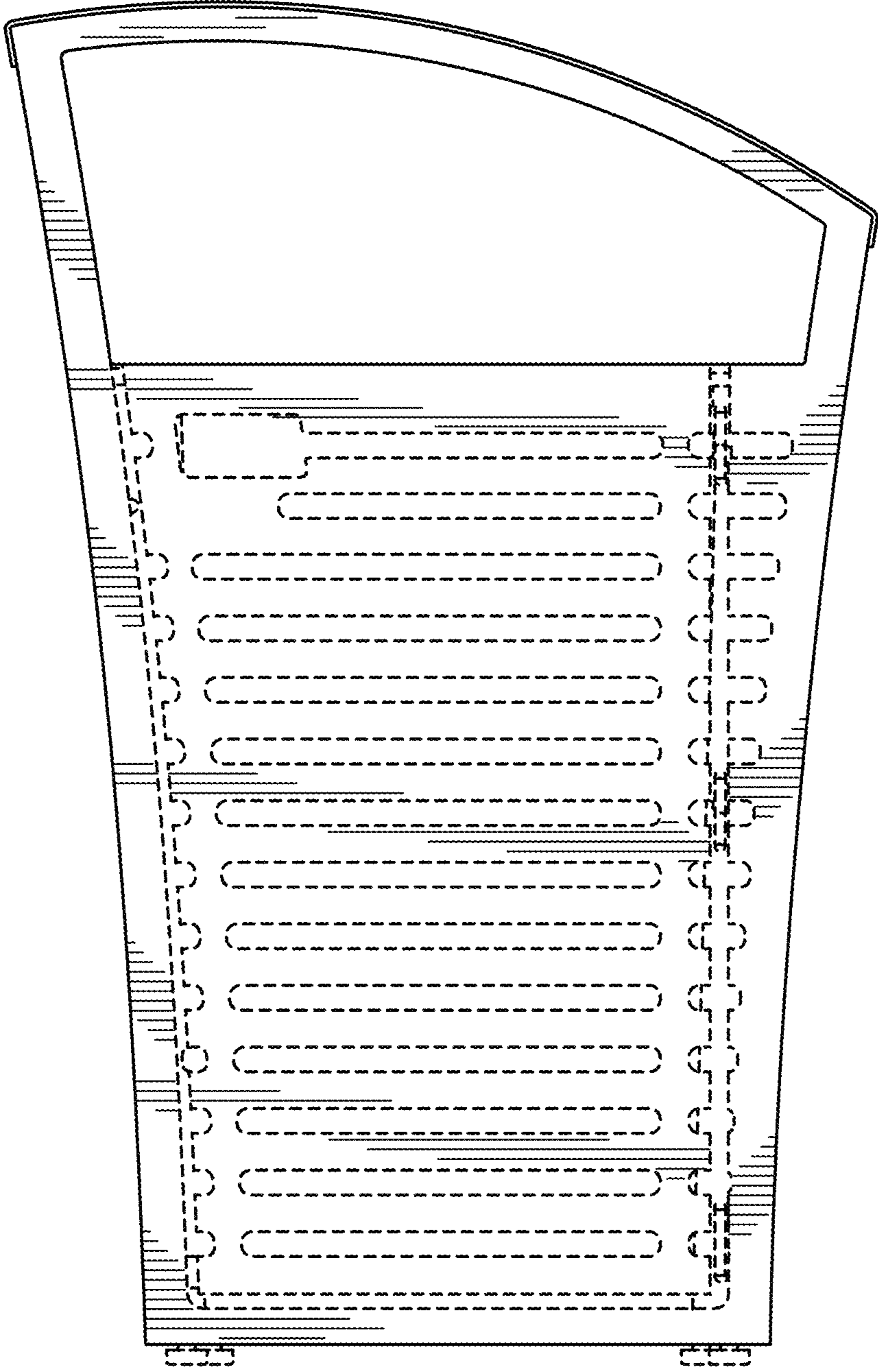


FIG. 4

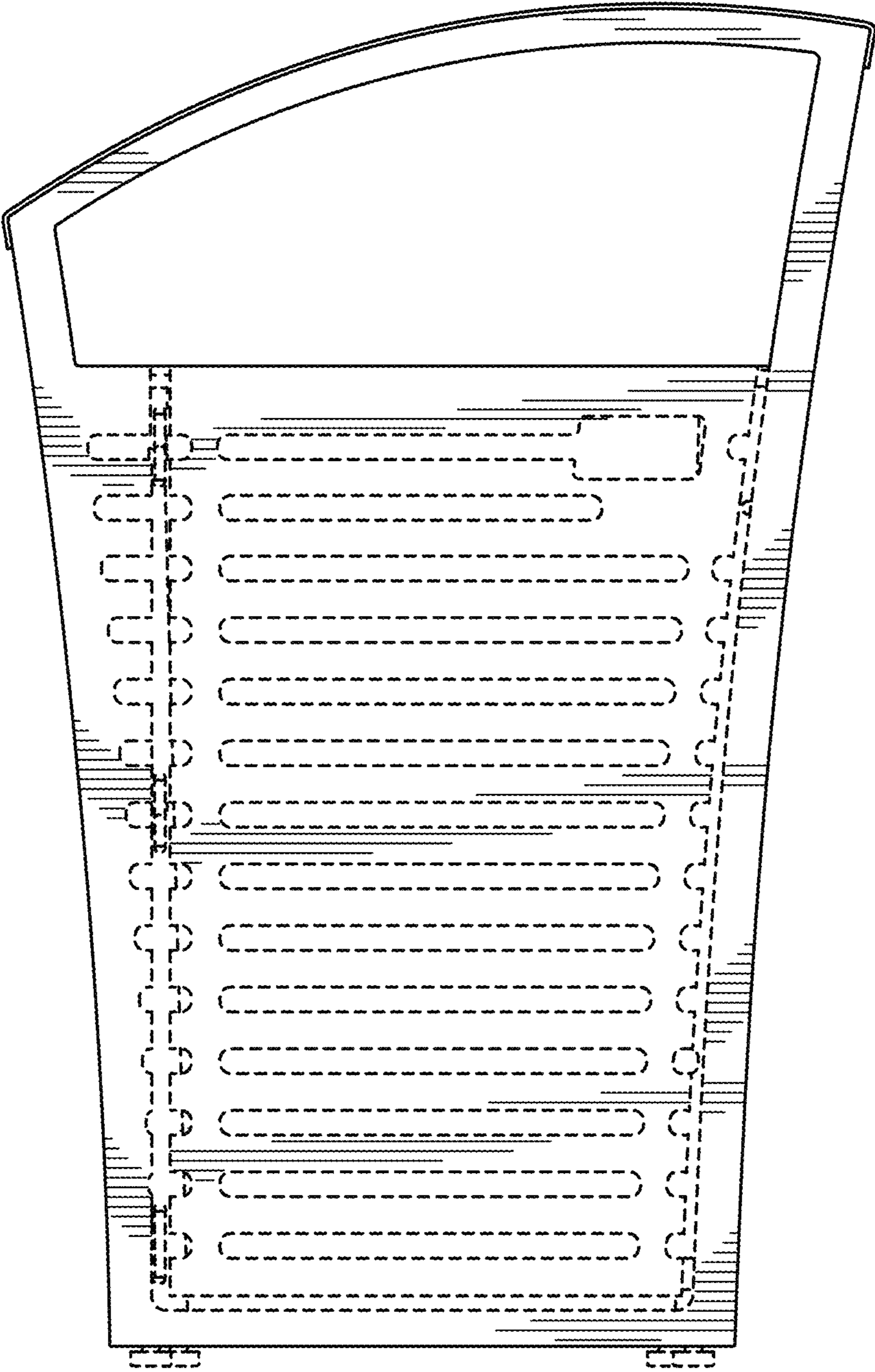


FIG. 5

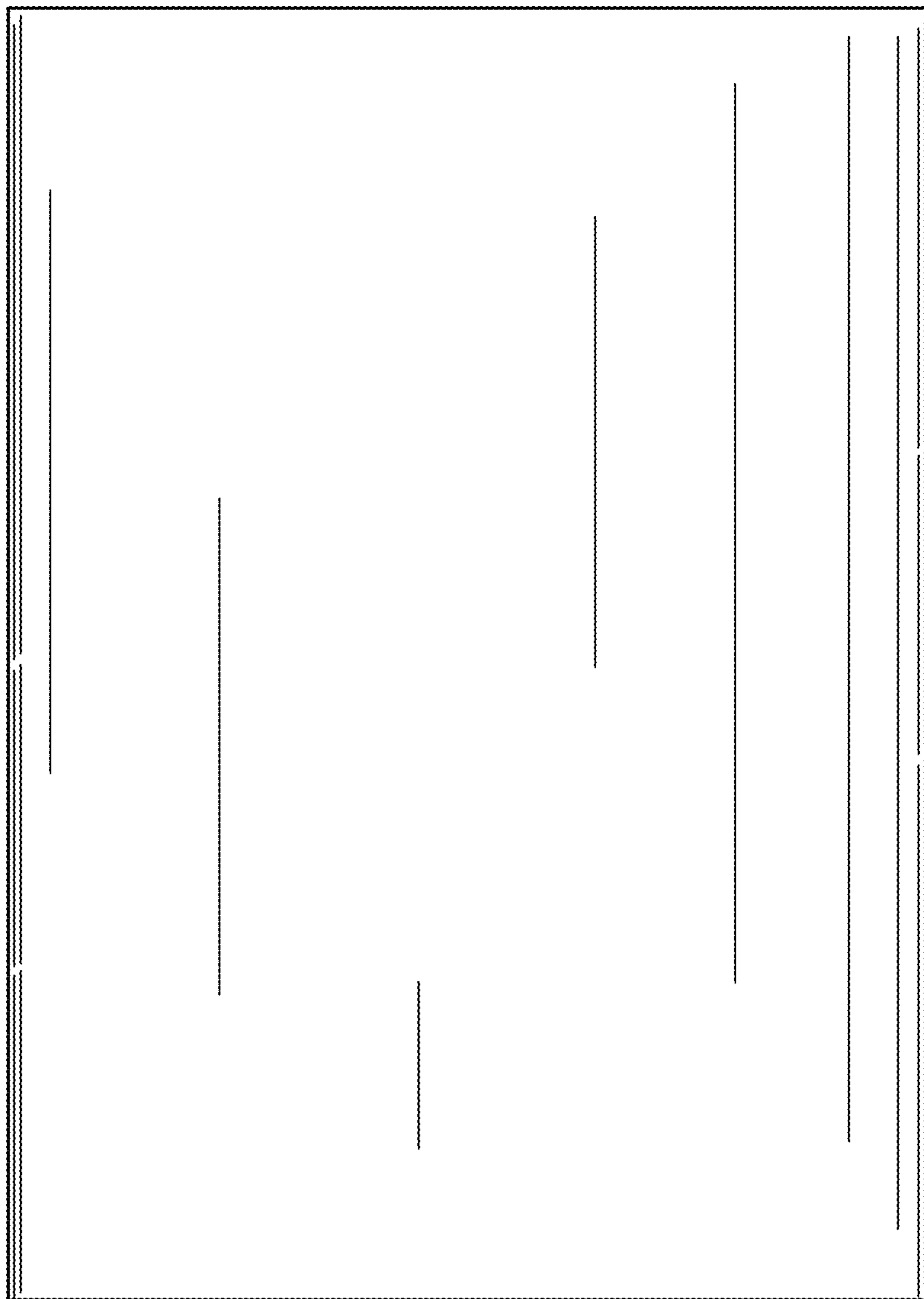


FIG. 6