



US00D724806S

(12) **United States Design Patent**
Perryman, Jr.

(10) **Patent No.:** **US D724,806 S**
(45) **Date of Patent:** **** Mar. 17, 2015**

(54) **DIELECTRIC HOLDER FOR AN AIR-LIFT BUCKET**

(71) Applicant: **Kevin N. Perryman, Jr.**, Enid, OK (US)

(72) Inventor: **Kevin N. Perryman, Jr.**, Enid, OK (US)

(**) Term: **14 Years**

(21) Appl. No.: **29/473,181**

(22) Filed: **Nov. 19, 2013**

(51) **LOC (10) Cl.** **07-07**

(52) **U.S. Cl.**
USPC **D32/54**

(58) **Field of Classification Search**
USPC D32/53, 53.1, 54; 220/904; 15/264;
37/444, 455; 248/146, 346.03; D9/424,
D9/432

See application file for complete search history.

(56) **References Cited**

U.S. PATENT DOCUMENTS

5,472,220	A	12/1995	Stephan	
5,820,087	A *	10/1998	Harrison	248/146
D418,055	S *	12/1999	Veto	D9/425
6,209,891	B1	4/2001	Herrmann	
7,018,090	B2 *	3/2006	Moore	366/197
D593,269	S *	5/2009	Weiler	D32/53

7,540,462	B1 *	6/2009	Beden	248/346.03
7,708,242	B1	5/2010	Petrashune et al.	
D688,018	S *	8/2013	Duquenoy et al.	D32/53
8,534,632	B1 *	9/2013	Mancuso, Jr.	248/346.5
D703,897	S *	4/2014	Holding et al.	D32/53
D706,509	S *	6/2014	Morris, Jr.	D32/53

* cited by examiner

Primary Examiner — Robin V Webster

(74) *Attorney, Agent, or Firm* — Crossley Patent Law

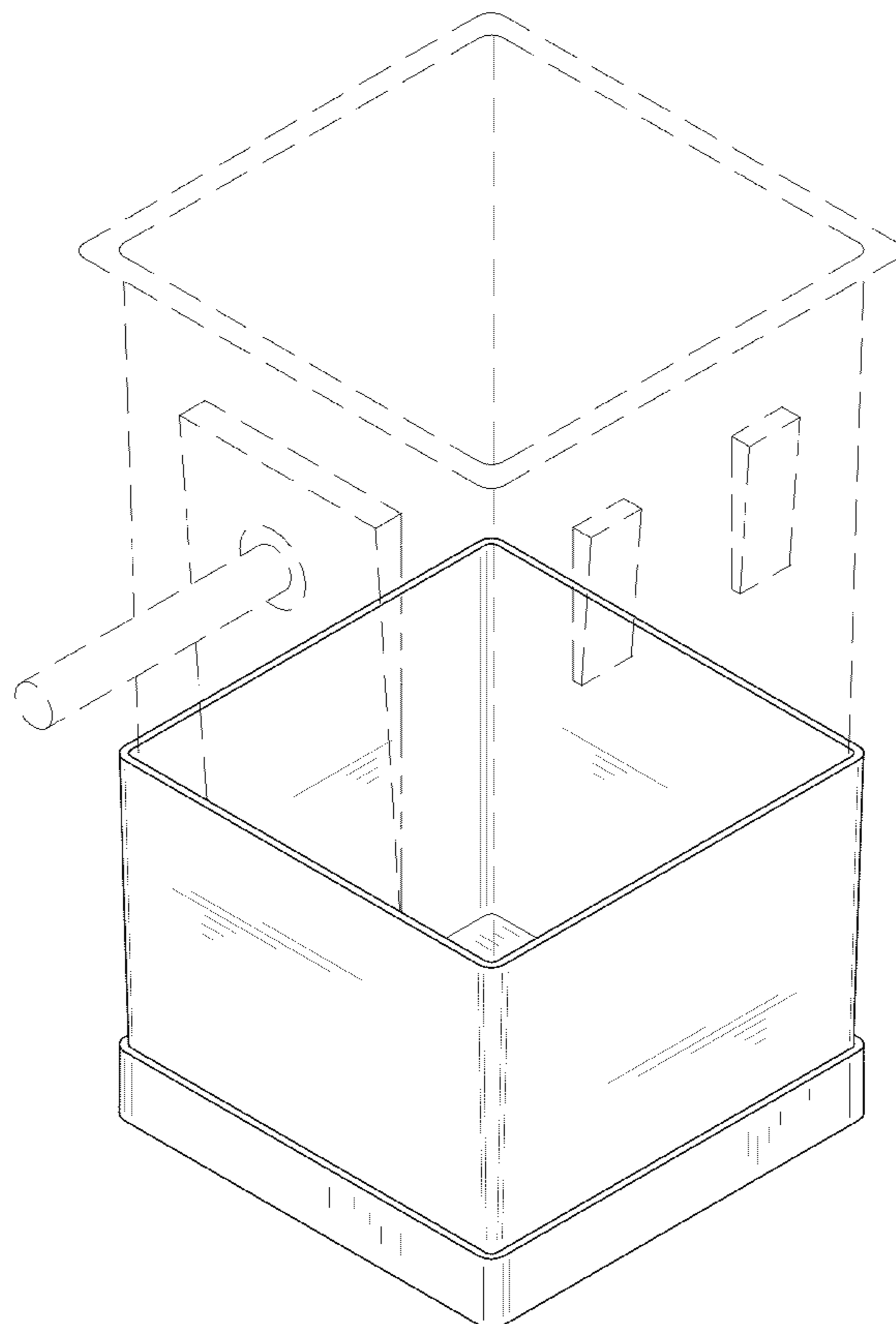
(57) **CLAIM**

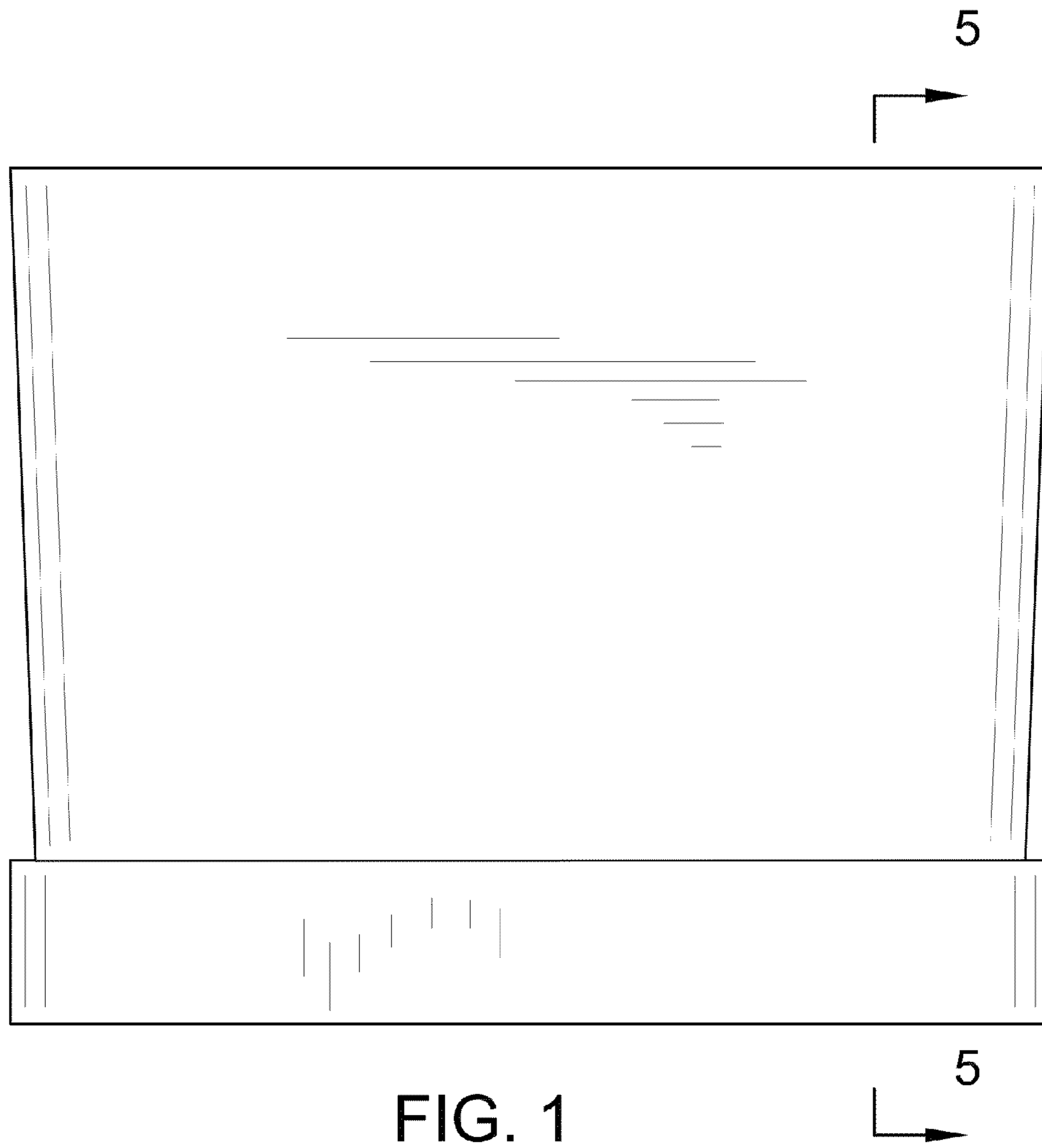
The ornamental design for a dielectric holder for an air-lift bucket, as shown and described.

DESCRIPTION

FIG. 1 is a front elevation view of a dielectric holder for an air-lift bucket showing my new design, each of the opposite rear side, the adjacent right side, and the adjacent left side being a mirror image of the shown;
FIG. 2 is a top plan view thereof;
FIG. 3 is a bottom plan view thereof;
FIG. 4 is an isometric view thereof; and,
FIG. 5 is a cross-sectional view taken along line 5-5 of FIG. 1.
The broken lines in FIG. 4 of the drawings depict an air-lift bucket as environmental subject matter only and form no part of the claimed design.

1 Claim, 5 Drawing Sheets





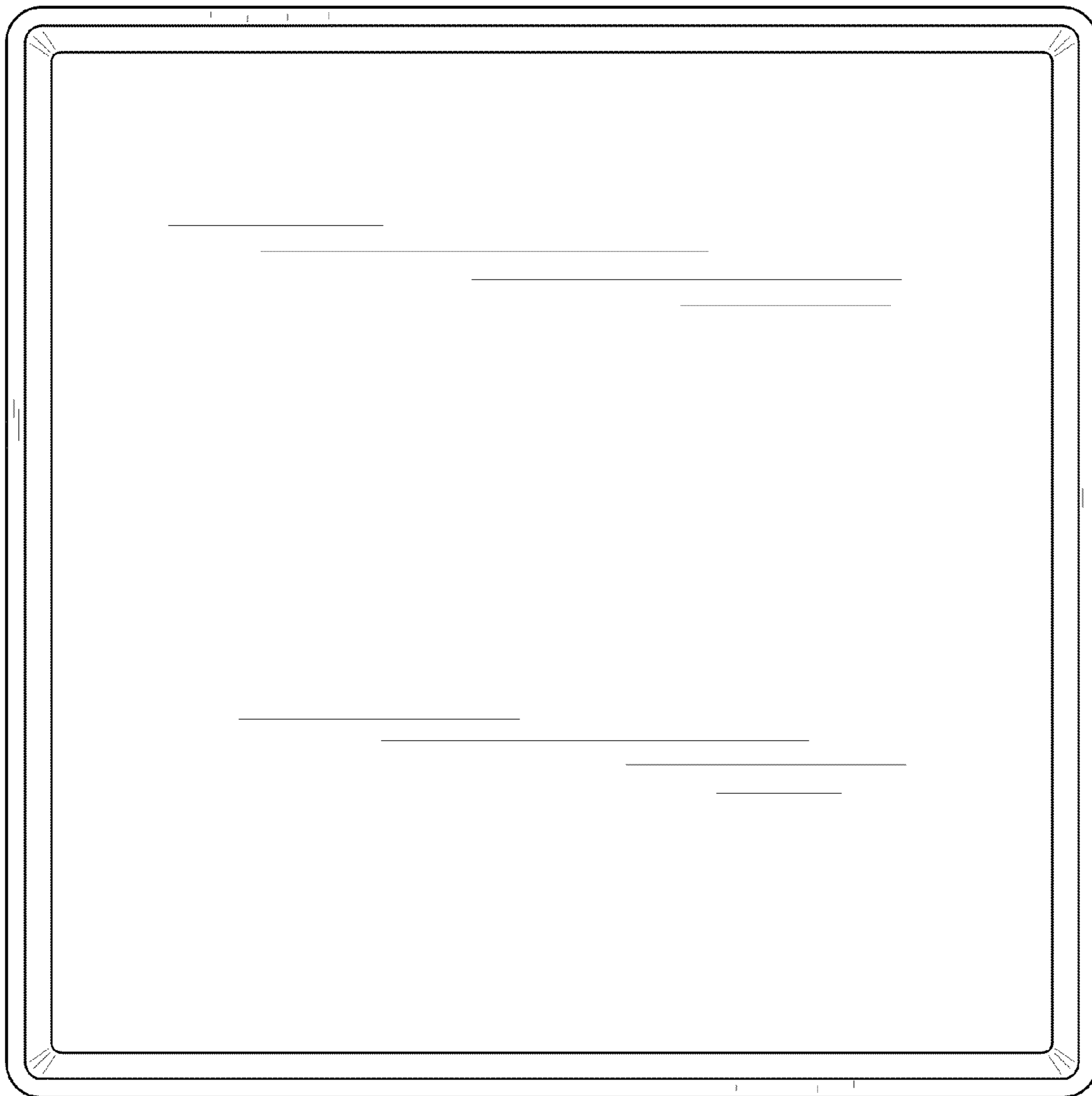


FIG. 2

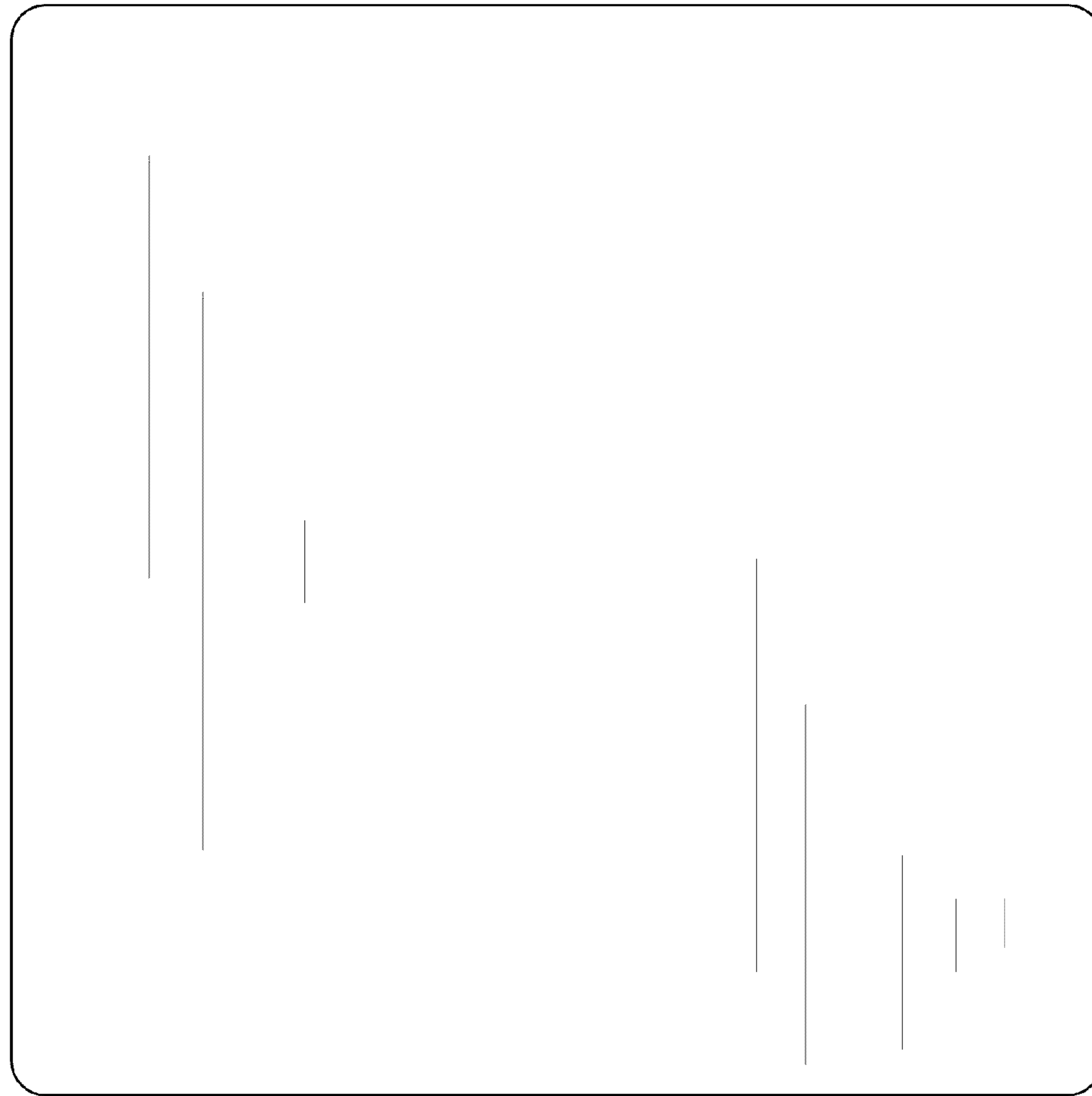


FIG. 3

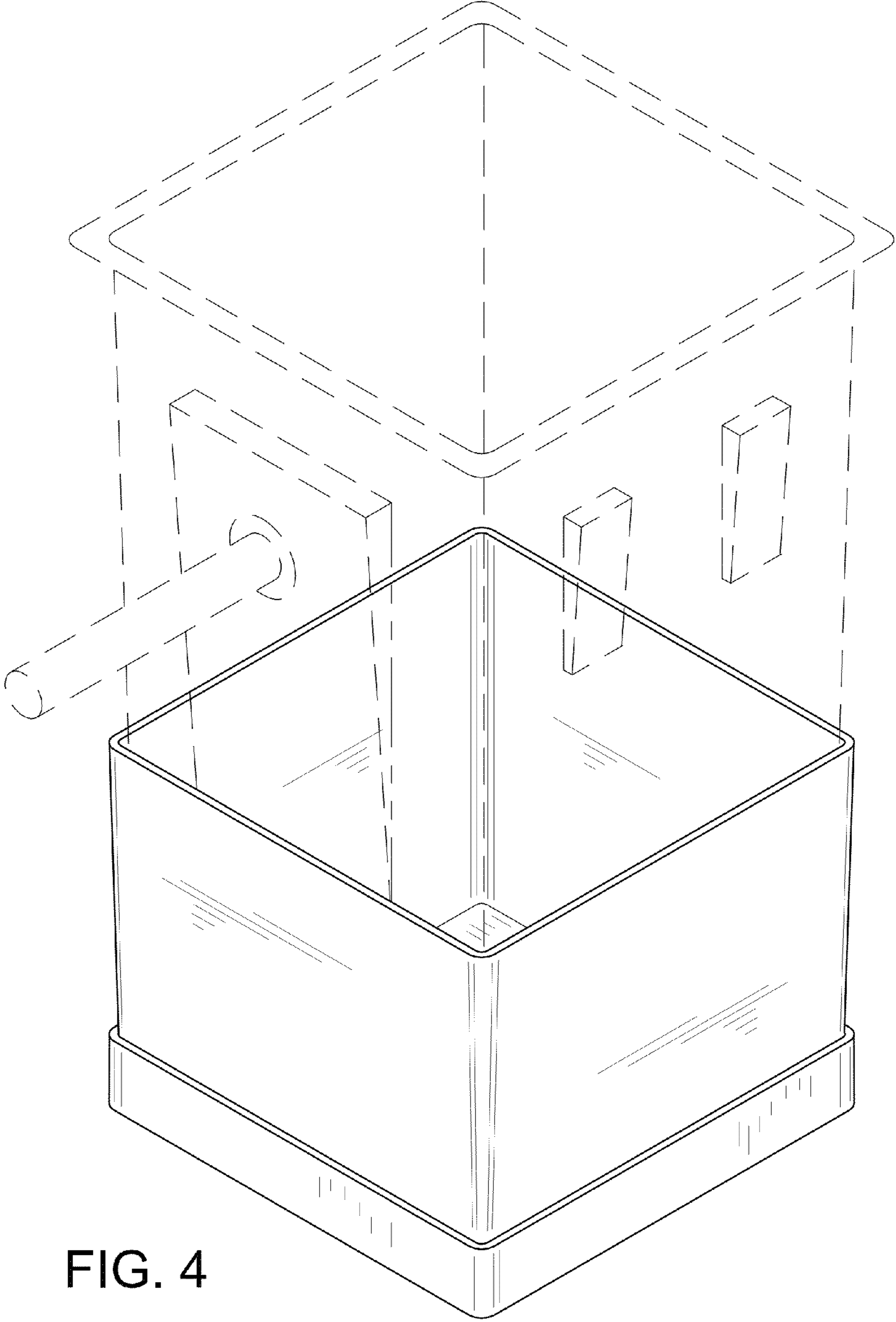


FIG. 4

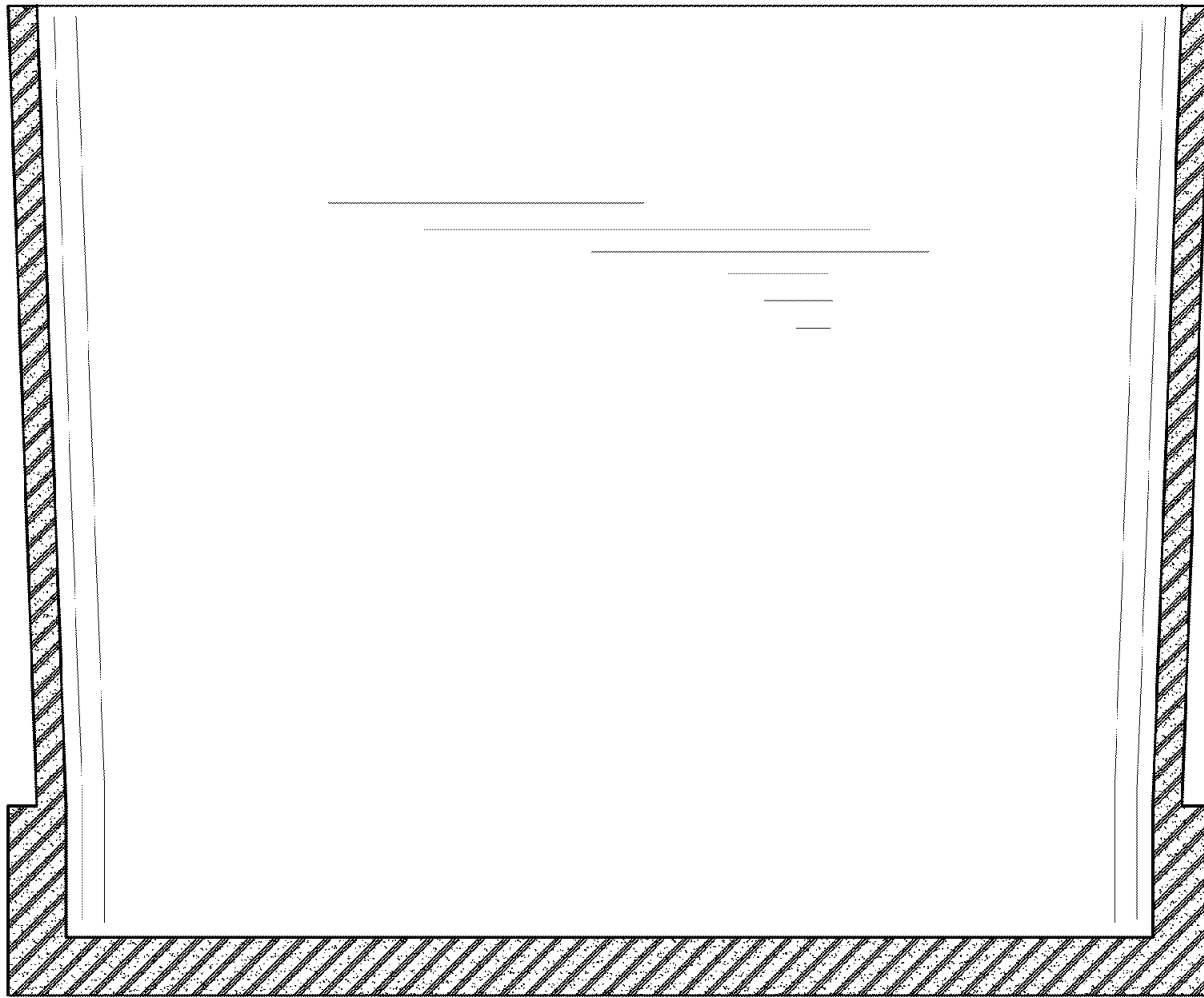


FIG. 5