



US00D724803S

(12) **United States Design Patent**
Christensen

(10) **Patent No.:** **US D724,803 S**
(45) **Date of Patent:** **** Mar. 17, 2015**

(54) **GOLF BAG DRIER**

(71) Applicant: **Rainkiller ApS**, Herning (DK)
(72) Inventor: **James Poul Christensen**, Tørring (DK)
(73) Assignee: **Rainkiller ApS**, Herning (DK)
(**) Term: **14 Years**
(21) Appl. No.: **29/466,624**

(22) Filed: **Sep. 10, 2013**
(51) **LOC (10) Cl.** **08-99**
(52) **U.S. Cl.**
USPC **D32/35**
(58) **Field of Classification Search**
USPC D32/1, 6, 8, 10, 13, 14, 19, 21, 23, 25,
D32/27, 29, 32, 33, 35, 40, 74; 15/77, 102,
15/230, 230.12, 230.14, 230.16; 134/6;
451/194; D3/255, 256, 318, 320;
D8/300; D21/319, 358, 733, 759, 789
See application file for complete search history.

(56) **References Cited**

U.S. PATENT DOCUMENTS

D293,141 S	*	12/1987	Blocker	D32/25
D313,682 S	*	1/1991	Martin et al.	D32/40
D370,098 S	*	5/1996	Chou	D32/47
D445,979 S	*	7/2001	Webster	D32/40
D567,460 S	*	4/2008	Vaughan	D32/40
D580,707 S	*	11/2008	Chen	D8/300
D583,211 S	*	12/2008	Grohmann	D8/300
D690,481 S	*	9/2013	Roehm et al.	D32/40
D694,482 S	*	11/2013	Sgroi, Jr.	D32/40
D708,039 S	*	7/2014	Aispuro et al.	D8/301
D714,505 S	*	9/2014	Hughes et al.	D32/40

OTHER PUBLICATIONS

Rainkiller, announced Fall 2013, [online], [site visited Dec. 17, 2014]. Available from Internet, <URL: http://rainkiller.com/en/>.*

* cited by examiner

Primary Examiner — Jeffrey D Asch

Assistant Examiner — Natasha Vujcic

(74) *Attorney, Agent, or Firm* — Cermak Nakajima & McGowan; Adam J. Cermak

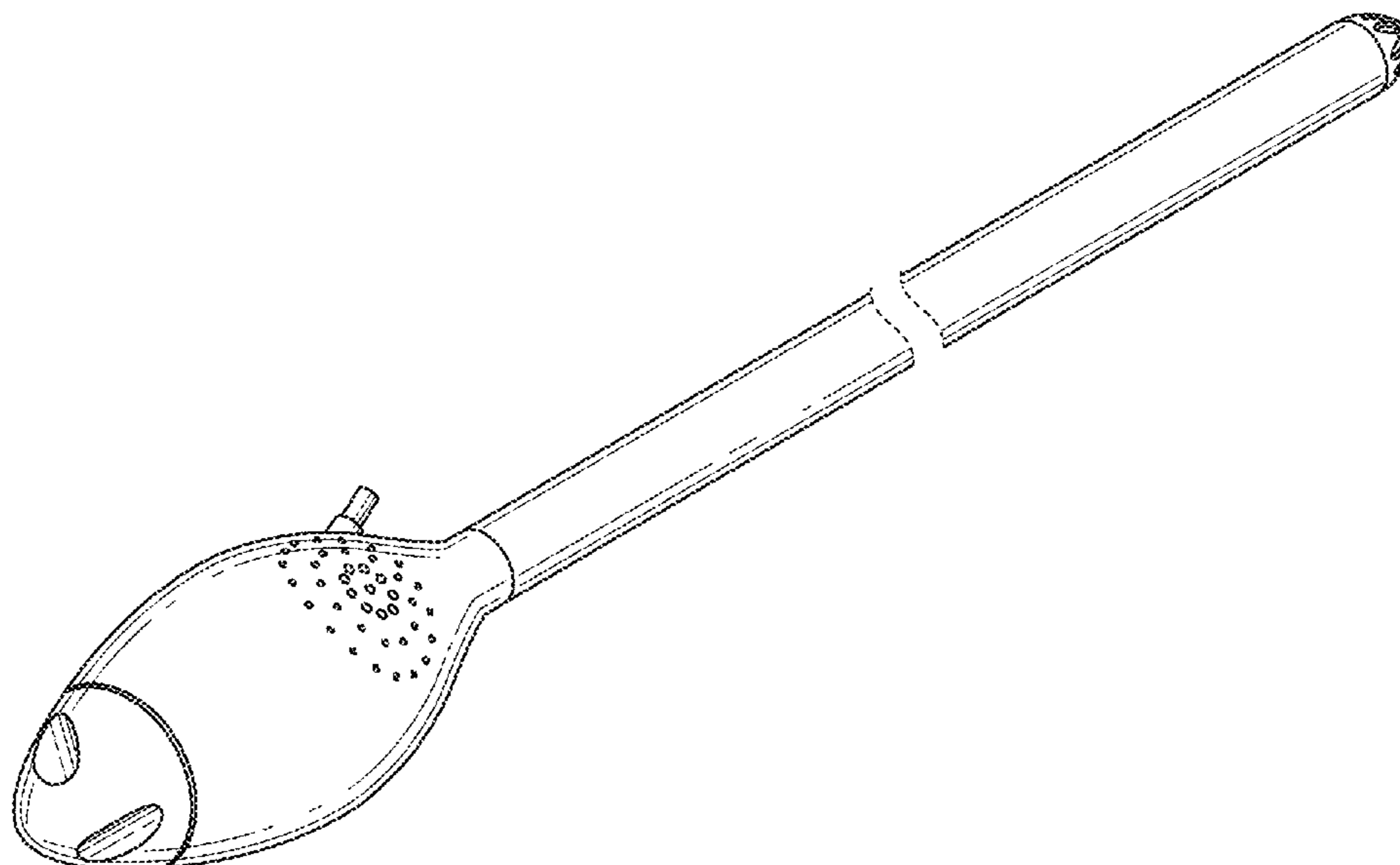
(57) **CLAIM**

The ornamental design for golf bag drier, as shown and described.

DESCRIPTION

FIG. 1 is a top, left, front perspective view of a golf bag drier showing my new design;
FIG. 2 is a top plan view of the golf bag drier shown in FIG. 1;
FIG. 3 is a bottom plan view of the golf bag drier shown in FIG. 1;
FIG. 4 is a right side elevational view of the golf bag drier shown in FIG. 1;
FIG. 5 is a left side elevational view of the golf bag drier shown in FIG. 1;
FIG. 6 is a front elevational view of the golf bag drier shown in FIG. 1; and,
FIG. 7 is a rear elevational view of the golf bag drier shown in FIG. 1.
The break lines through the handle of the golf bag drier indicate that any portion of the article beyond what is shown forms no part of the claimed design.

1 Claim, 4 Drawing Sheets



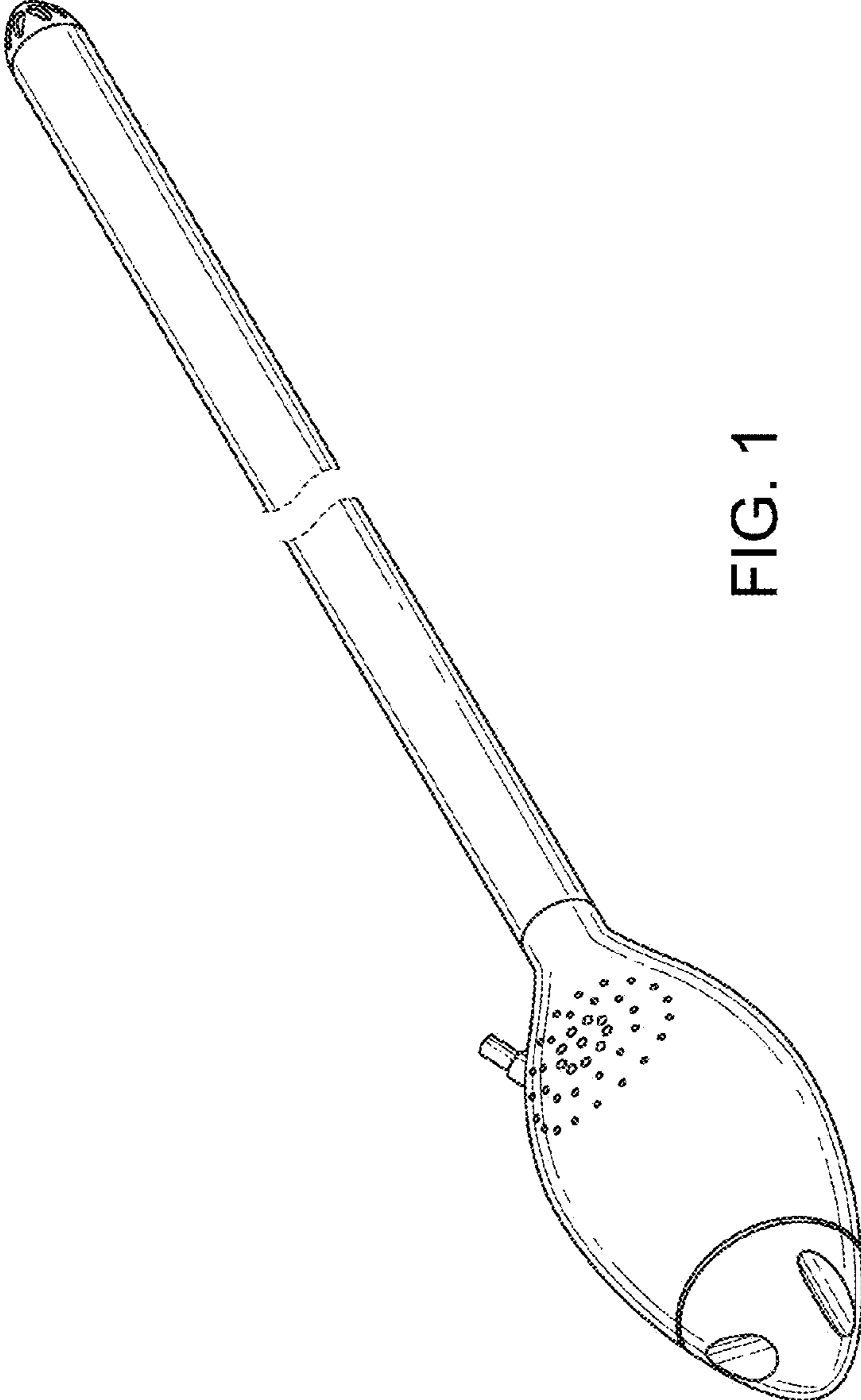


FIG. 1

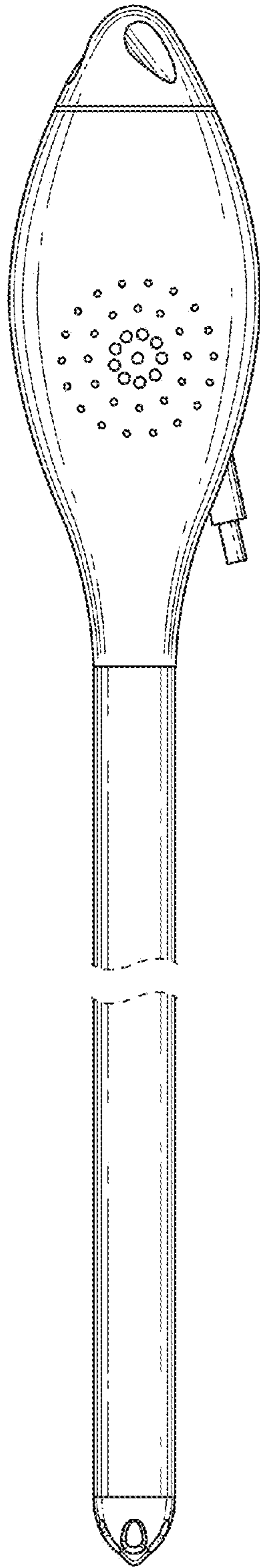


FIG. 2

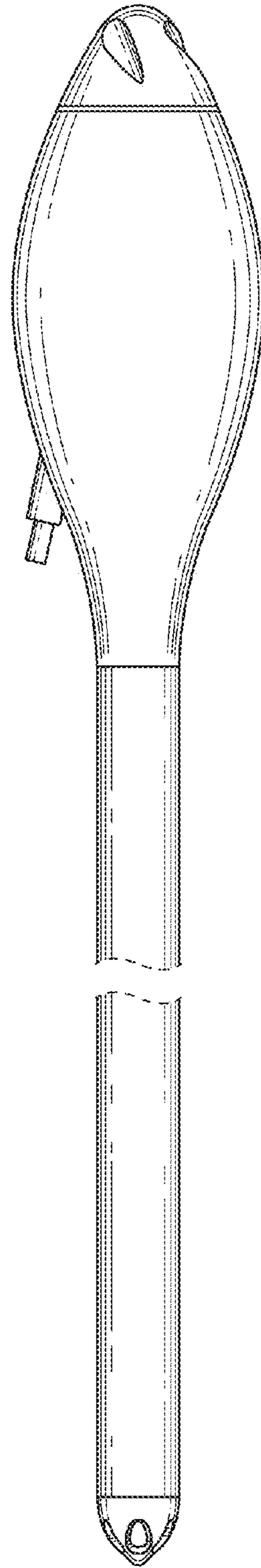


FIG. 3

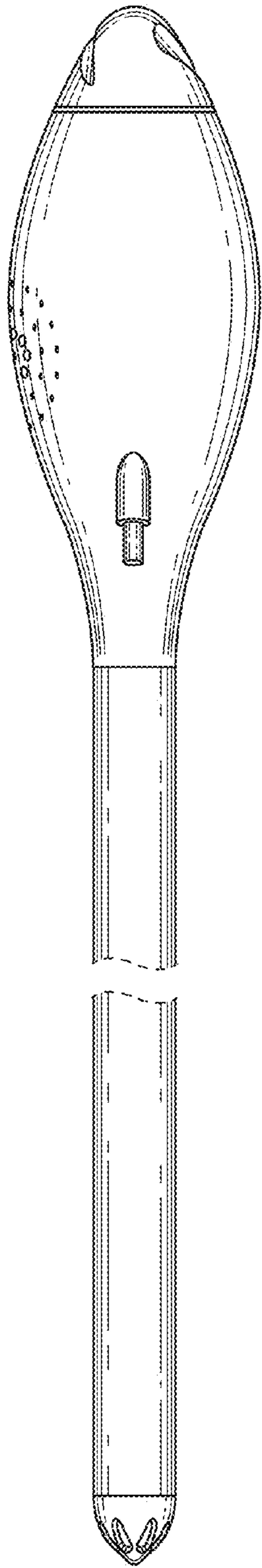


FIG. 4

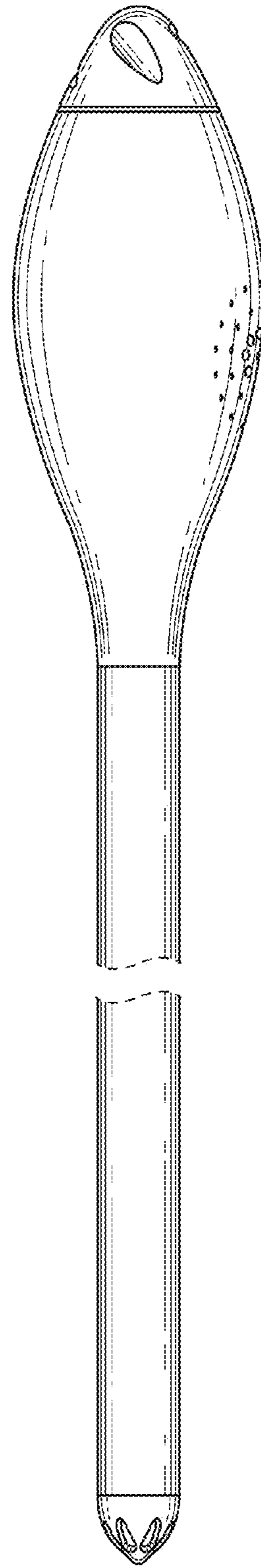


FIG. 5

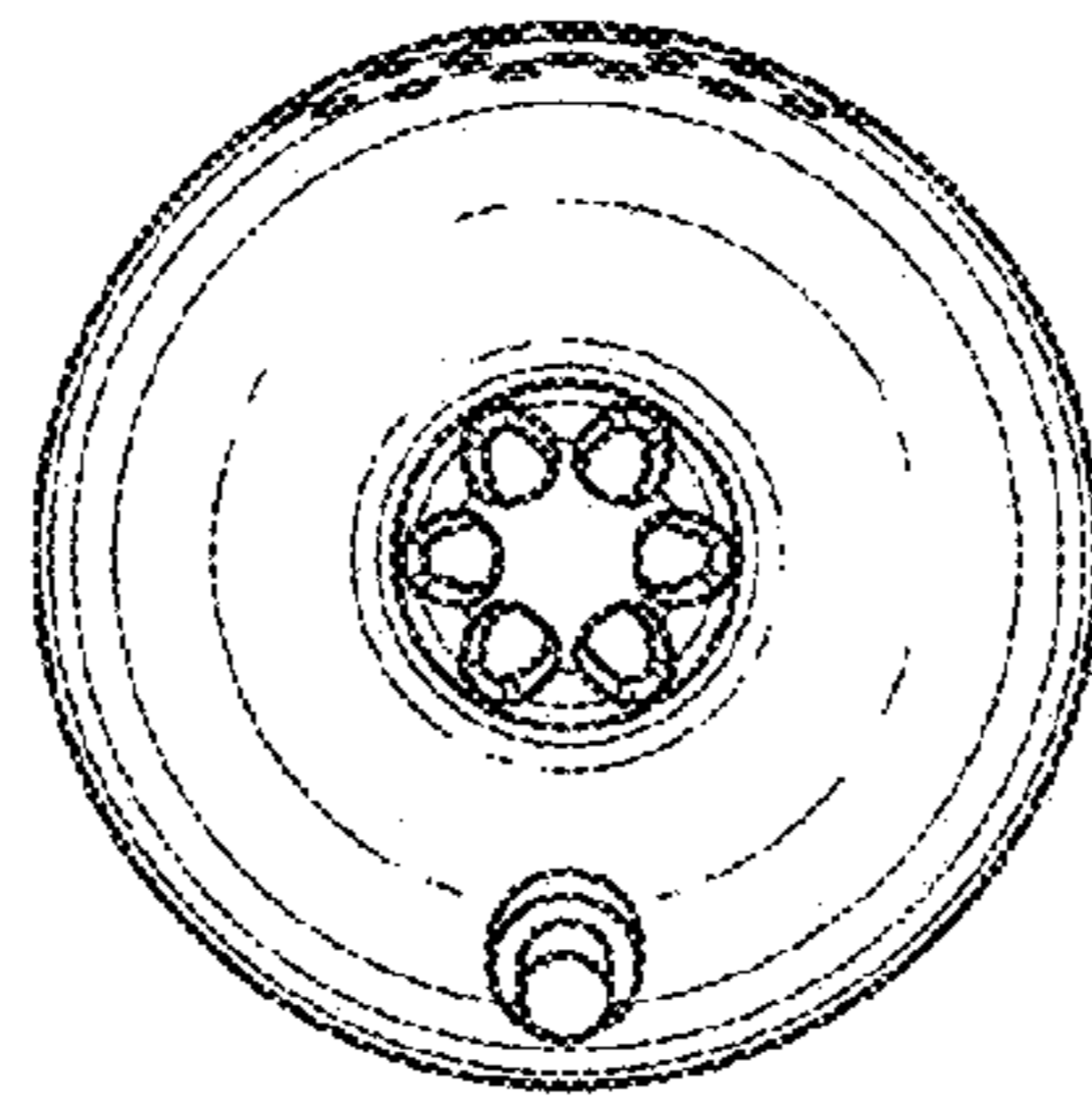


FIG. 7

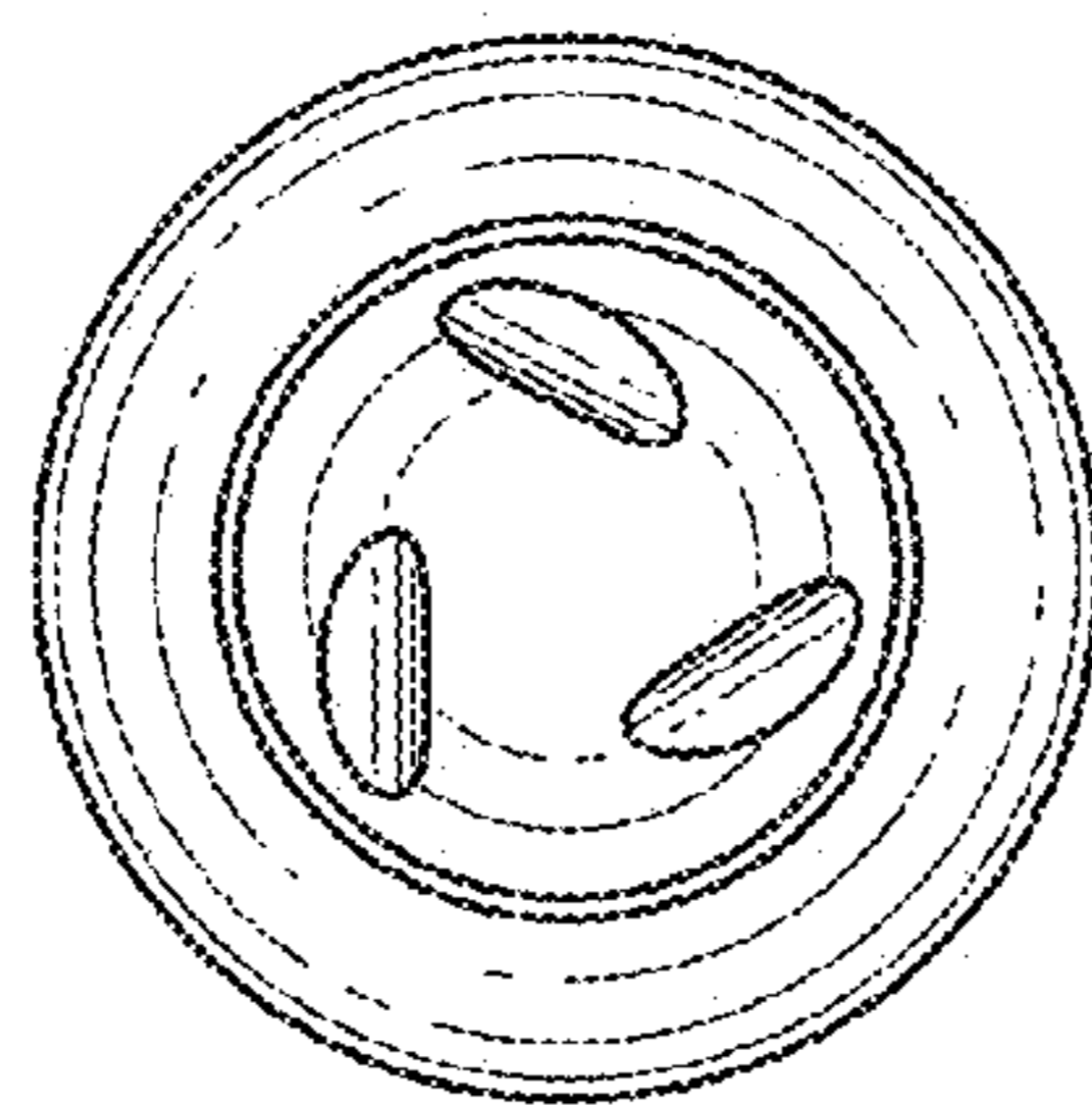


FIG. 6