



US00D724798S

(12) **United States Design Patent**
Carter et al.

(10) **Patent No.:** **US D724,798 S**
(45) **Date of Patent:** **** Mar. 17, 2015**

(54) **HANDHELD VACUUM CLEANER**

(56) **References Cited**

(71) Applicant: **Techtronic Floor Care Technology Limited**, Tortola (VG)
(72) Inventors: **Daniel William Carter**, Olton (GB);
Matthew James Ward, Swanland (GB)
(73) Assignee: **Techtronic Floor Care Technology Limited**, Tortola (VG)

U.S. PATENT DOCUMENTS

D353,916	S	*	12/1994	Ho	D32/18
D552,309	S	*	10/2007	Houghton	D32/18
D569,061	S	*	5/2008	Nardone	D32/18
7,370,387	B2	*	5/2008	Walker et al.	15/344
D595,017	S	*	6/2009	Baxter et al.	D32/18
D640,847	S	*	6/2011	Houghton	D32/18
8,595,895	B2	*	12/2013	Smith	15/344
2005/0155176	A1	*	7/2005	Chen	15/344
2011/0308038	A1	*	12/2011	Rowntree	15/347
2013/0091656	A1	*	4/2013	Smith	15/344

(**) Term: **14 Years**

* cited by examiner

(21) Appl. No.: **29/460,611**

Primary Examiner — Ruth McInroy

(22) Filed: **Jul. 12, 2013**

(74) *Attorney, Agent, or Firm* — Michael Best & Friedrich LLP

(30) **Foreign Application Priority Data**

(57) **CLAIM**

We claim the ornamental design for a handheld vacuum cleaner, as shown and described.

Jan. 15, 2013 (CN) 2013 3 0011352

DESCRIPTION

(51) **LOC (10) Cl.** **15-05**

FIG. 1 is a top, front perspective view of a handheld vacuum cleaner showing our new design;
FIG. 2 is a top view thereof;
FIG. 3 is a right side view thereof; and,
FIG. 4 is a front view thereof.

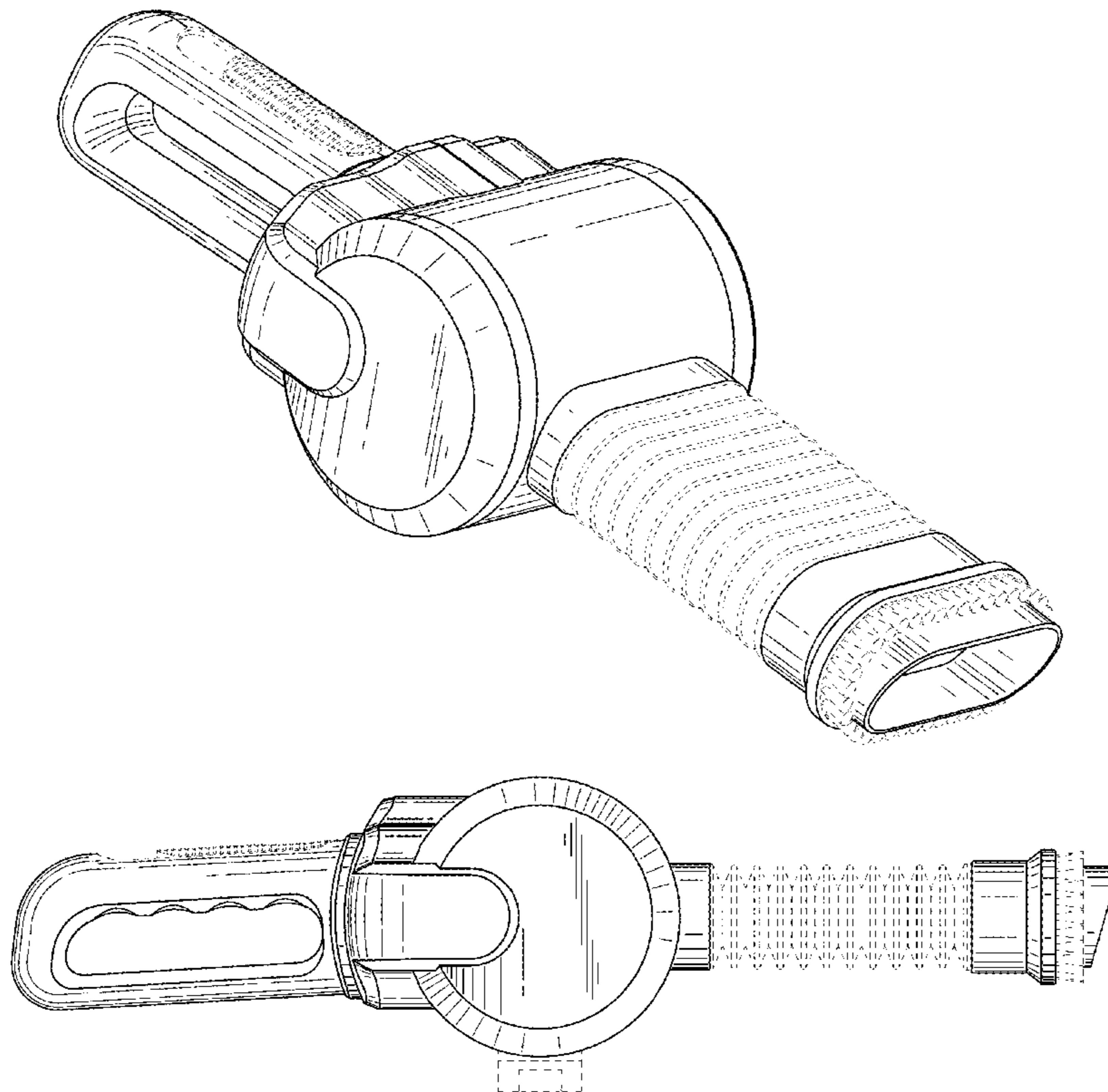
(52) **U.S. Cl.**
USPC **D32/18**

(58) **Field of Classification Search**
USPC D32/17, 18, 31, 21, 23-24; 15/344,
15/329, 347, 327.1, 327.2, 327.7,
15/352-353; 55/337, 429, 345, DIG. 3

The elements shown in broken lines are included for the purpose of illustrating environment and form no part of the claimed design.

See application file for complete search history.

1 Claim, 4 Drawing Sheets



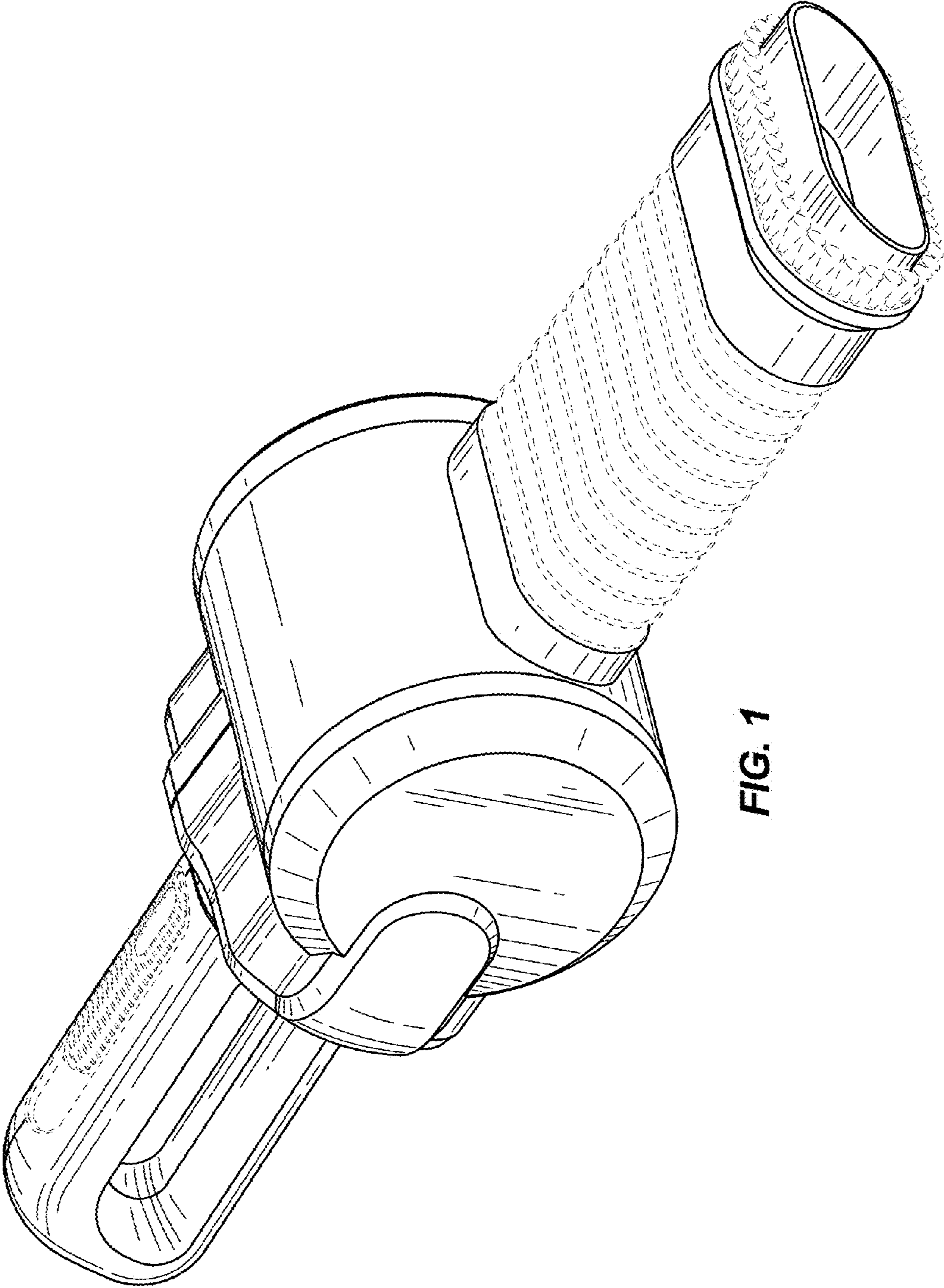


FIG. 1

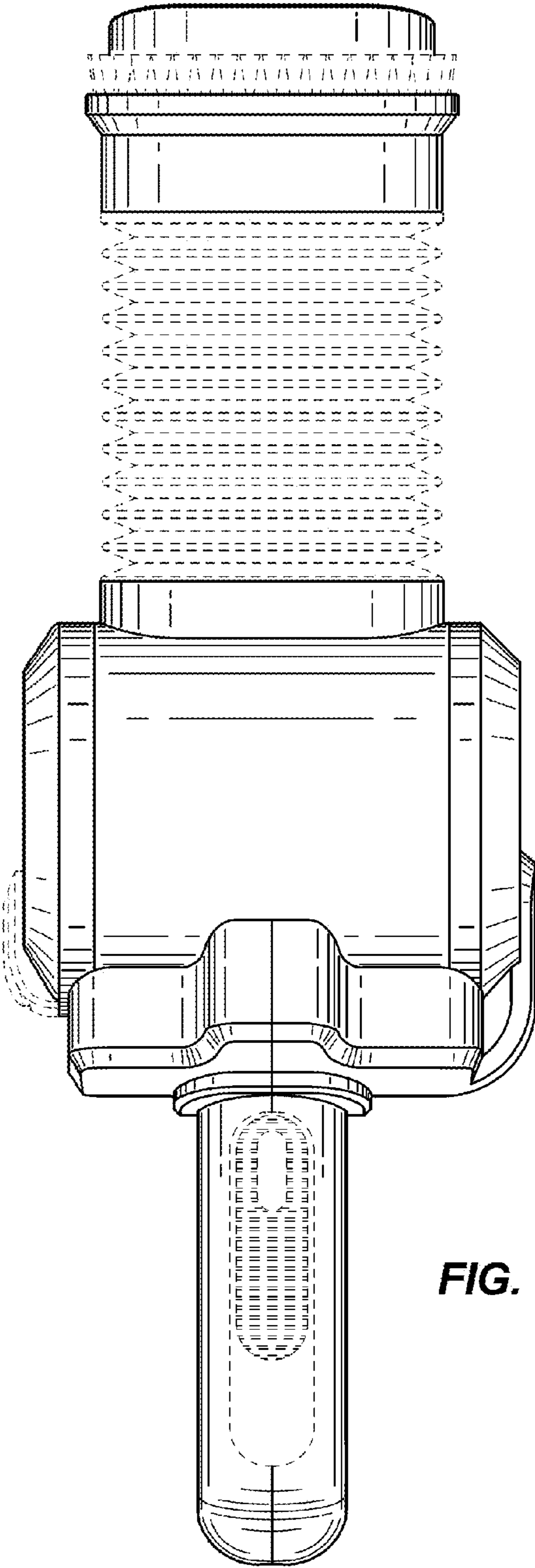


FIG. 2

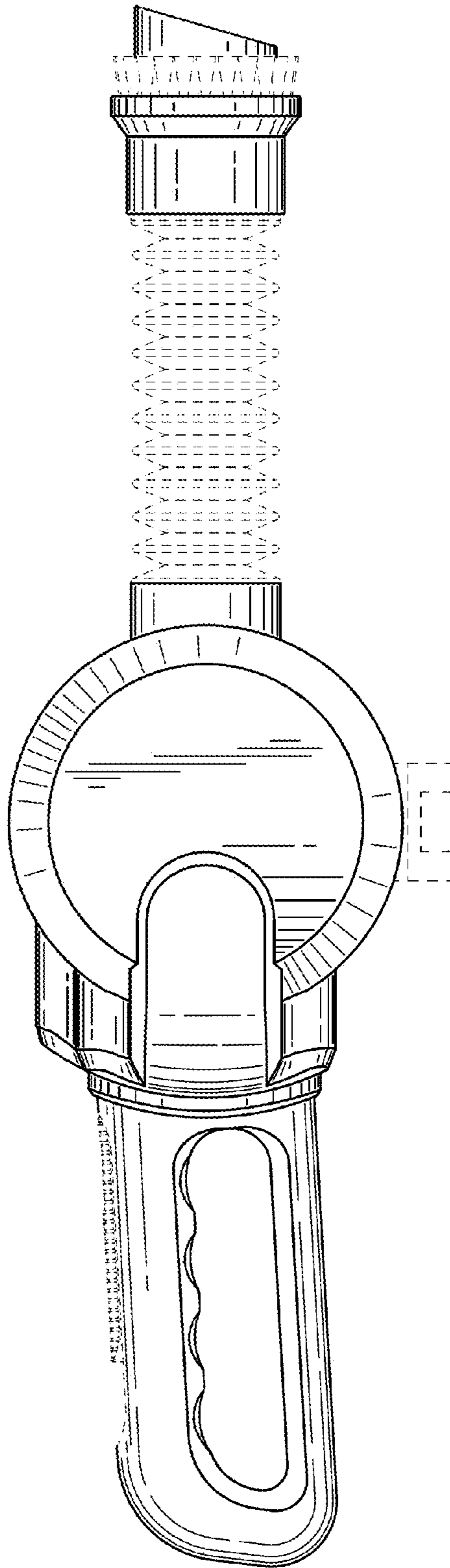


FIG. 3

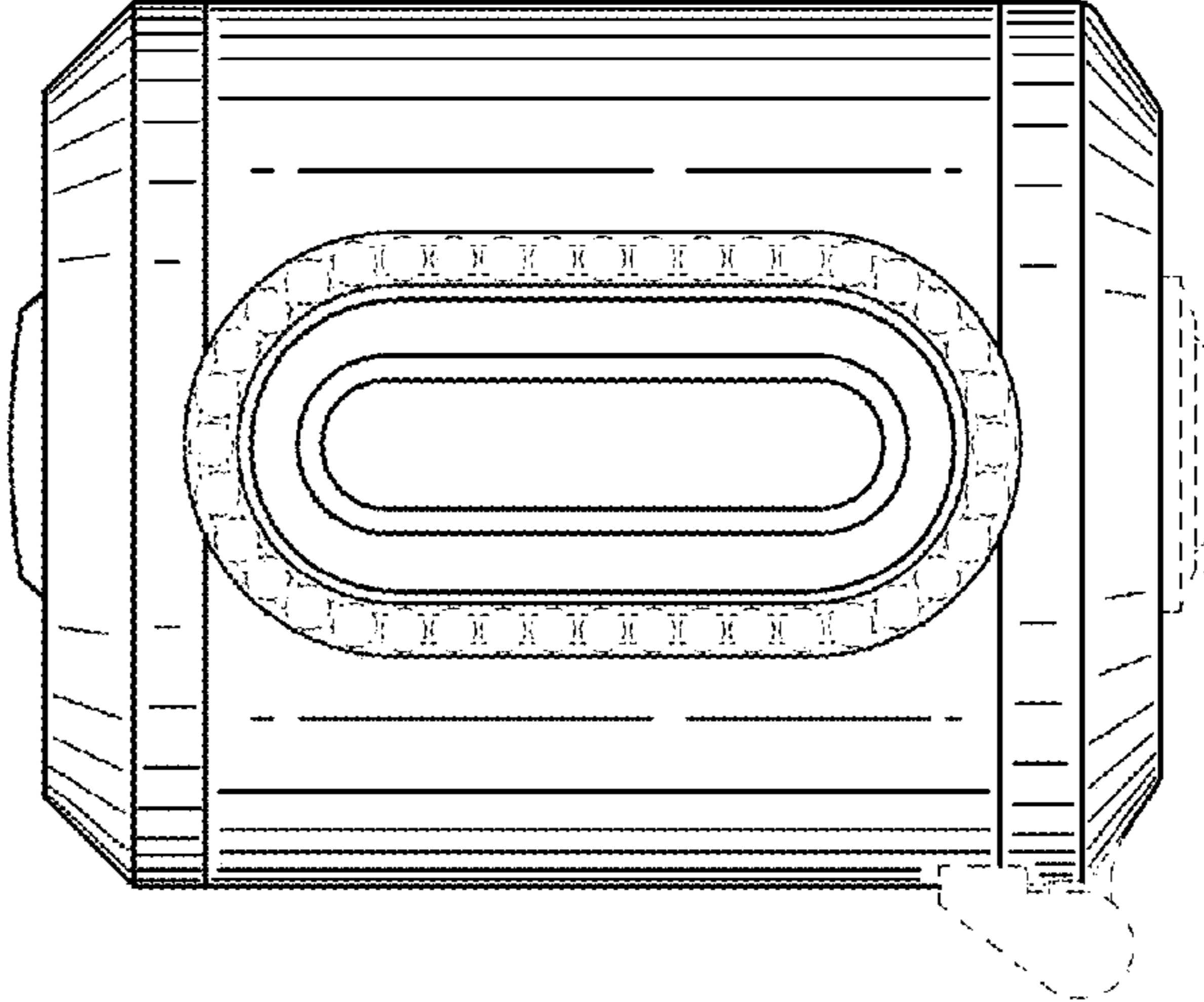


FIG. 4