



US00D724785S

(12) **United States Design Patent**  
**Frederick**

(10) **Patent No.:** **US D724,785 S**  
(45) **Date of Patent:** **\*\* Mar. 17, 2015**

(54) **MOBILE MAKEUP COMPACT**

(71) Applicant: **Yolonda's Face Value, Inc.**,  
Douglasville, GA (US)

(72) Inventor: **Yolonda Frederick**, Douglasville, GA  
(US)

(73) Assignee: **Yolonda's Face Value, Inc.**, Smyrna,  
GA (US)

(\*\*) Term: **14 Years**

(21) Appl. No.: **29/445,875**

(22) Filed: **Feb. 18, 2013**

(51) **LOC (10) Cl.** ..... **28-03**

(52) **U.S. Cl.**  
USPC ..... **D28/77; D28/83; D14/250**

(58) **Field of Classification Search**  
USPC ..... 455/575, 1, 575.4, 575.5, 575.8;  
132/287, 288, 294; 206/581, 823;  
D28/76, 83, 77; D14/250  
See application file for complete search history.

(56) **References Cited**

U.S. PATENT DOCUMENTS

D470,627	S	*	2/2003	Kuo	.....	D28/77
7,146,184	B1	*	12/2006	Tsitsiashvili	.....	455/550.1
D625,303	S	*	10/2010	Kim	.....	D14/250
7,905,238	B2	*	3/2011	Moon	.....	132/287
D654,069	S	*	2/2012	Kwon et al.	.....	D14/250
D676,432	S	*	2/2013	Hasbrook et al.	.....	D14/250
8,418,852	B2	*	4/2013	Ziemba	.....	206/235
8,522,795	B2	*	9/2013	Bouix et al.	.....	132/301
8,573,395	B1	*	11/2013	Dafni et al.	.....	206/320
D695,731	S	*	12/2013	Adami	.....	D14/250
8,833,379	B1	*	9/2014	Kaplan	.....	132/287
2006/0112966	A1	*	6/2006	Phue	.....	132/296
2009/0166247	A1	*	7/2009	Gindi	.....	206/581
2010/0302716	A1	*	12/2010	Gandhi	.....	455/575.8

2011/0077061	A1	*	3/2011	Danze et al.	.....	455/575.1
2013/0157730	A1	*	6/2013	McCormac et al.	.....	455/575.8
2013/0331156	A1	*	12/2013	Lui	.....	455/575.8
2014/0144796	A1	*	5/2014	Ziemba	.....	206/235

FOREIGN PATENT DOCUMENTS

CN 202722868 \* 2/2013

\* cited by examiner

*Primary Examiner* — Jennifer Rivard

(74) *Attorney, Agent, or Firm* — Im IP Law PLLC; C. Andrew Im

(57) **CLAIM**

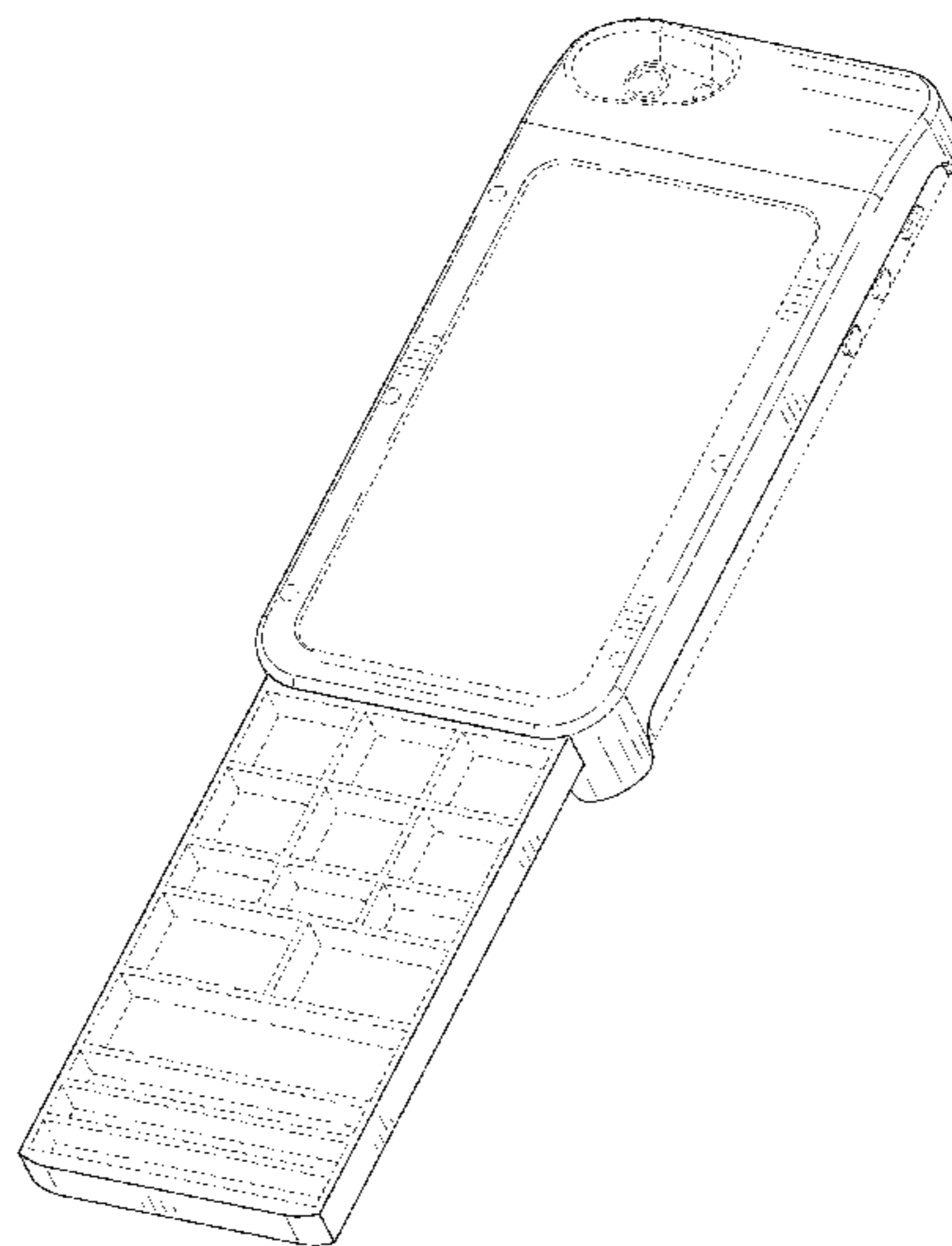
The ornamental design for a mobile makeup compact, as shown and described.

**DESCRIPTION**

FIG. 1 is a front perspective view of a mobile makeup compact in accordance with an embodiment of the claimed invention showing my design with a tray in a close position; FIG. 2 is a front perspective view of the mobile makeup compact in FIG. 1 with the tray in an open position; FIG. 3 is a rear perspective view of the mobile makeup compact in FIG. 1; FIG. 4 is another rear perspective view of the mobile makeup compact in FIG. 1; FIG. 5 is another front perspective view of the mobile makeup compact in FIG. 1 with the tray in an open position; FIG. 6 is a side view thereof; FIG. 7 is a rear view thereof; and, FIG. 8 is a front perspective view of a mobile makeup compact in accordance with another embodiment of the claimed invention.

The broken line disclosure of the phone illustrates the environment; the remaining broken lines illustrate portions of the mobile makeup compact. None of the broken lines forms part of the claimed design.

**1 Claim, 7 Drawing Sheets**



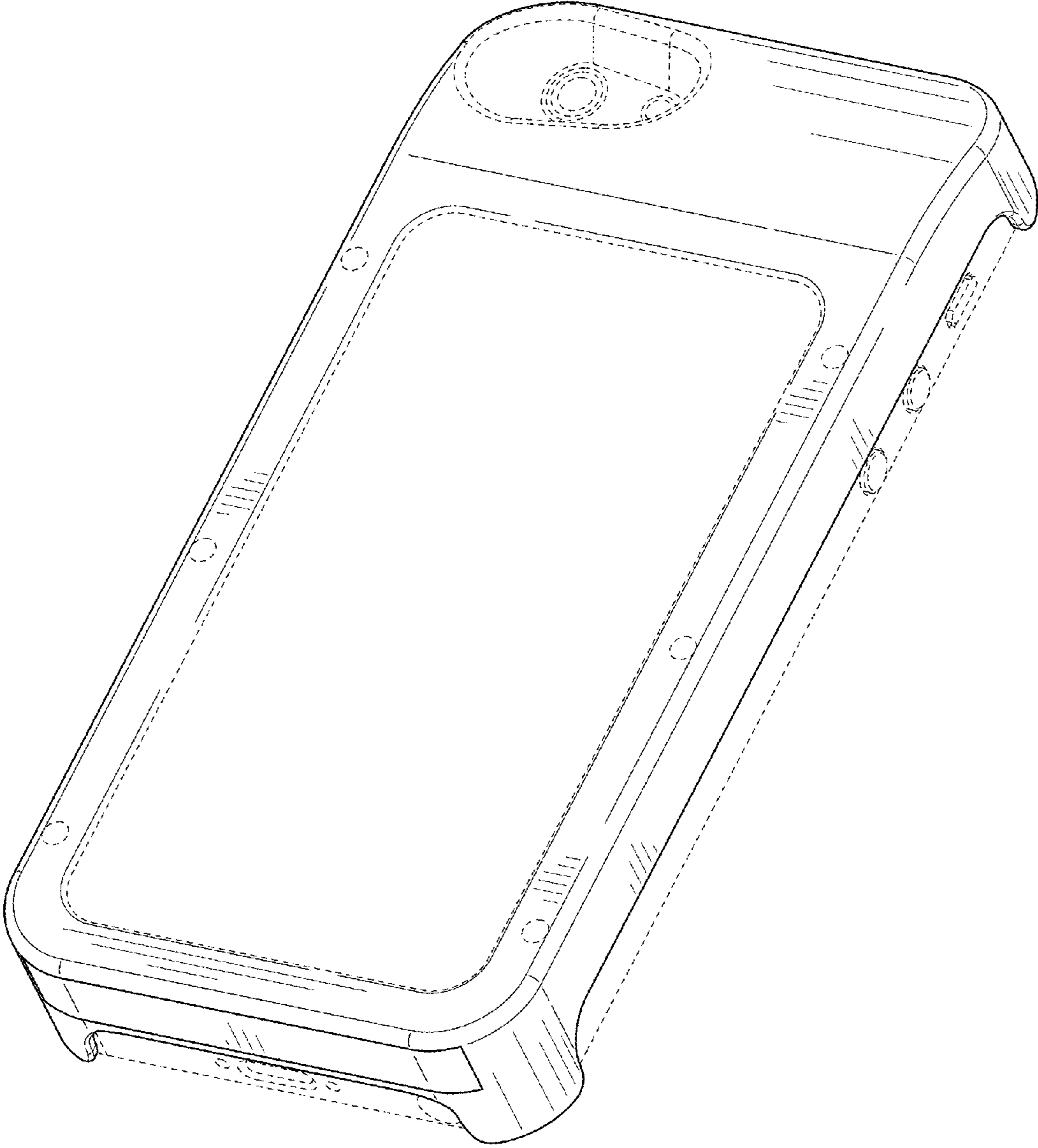


FIG. 1

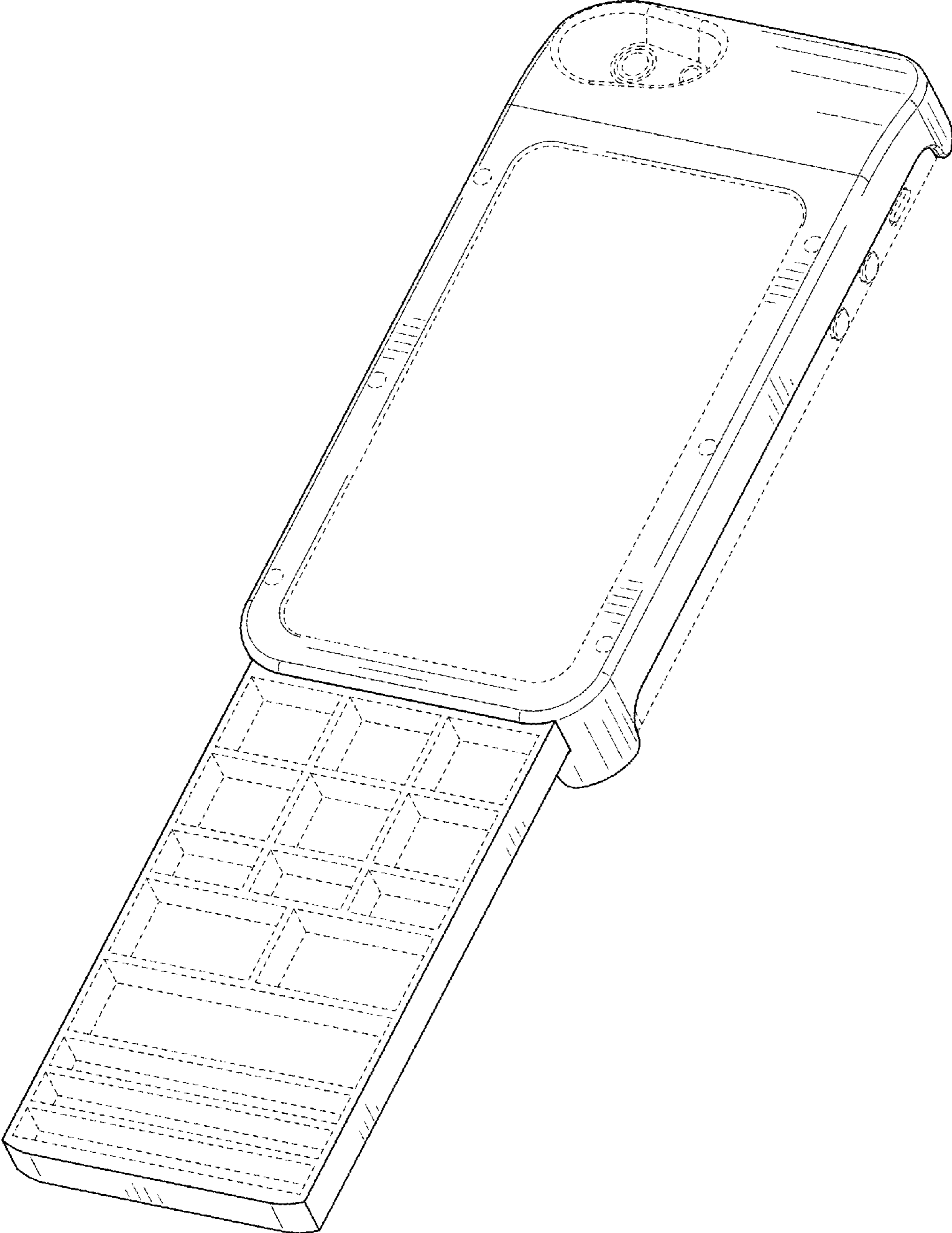


FIG. 2

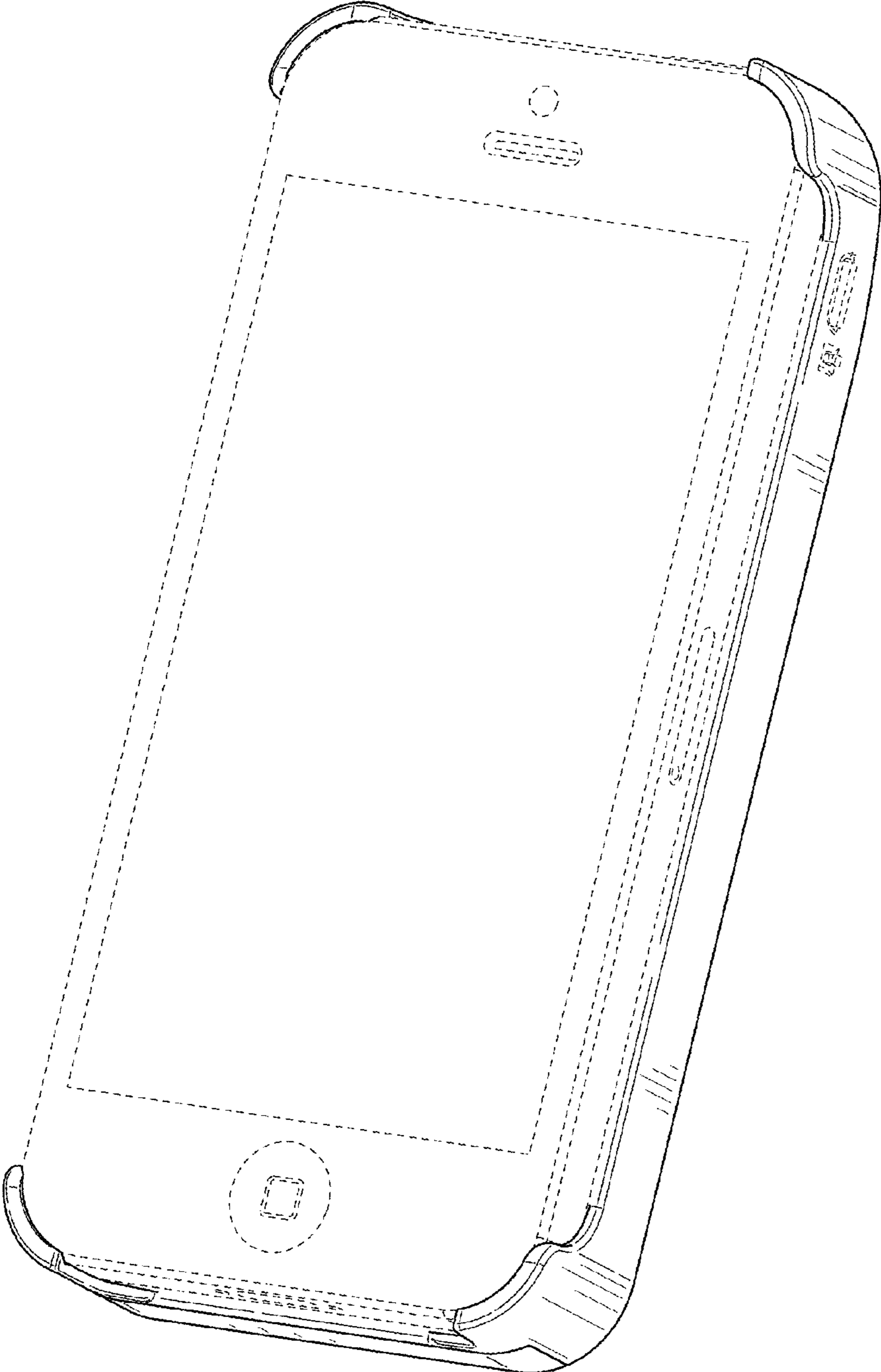


FIG. 3

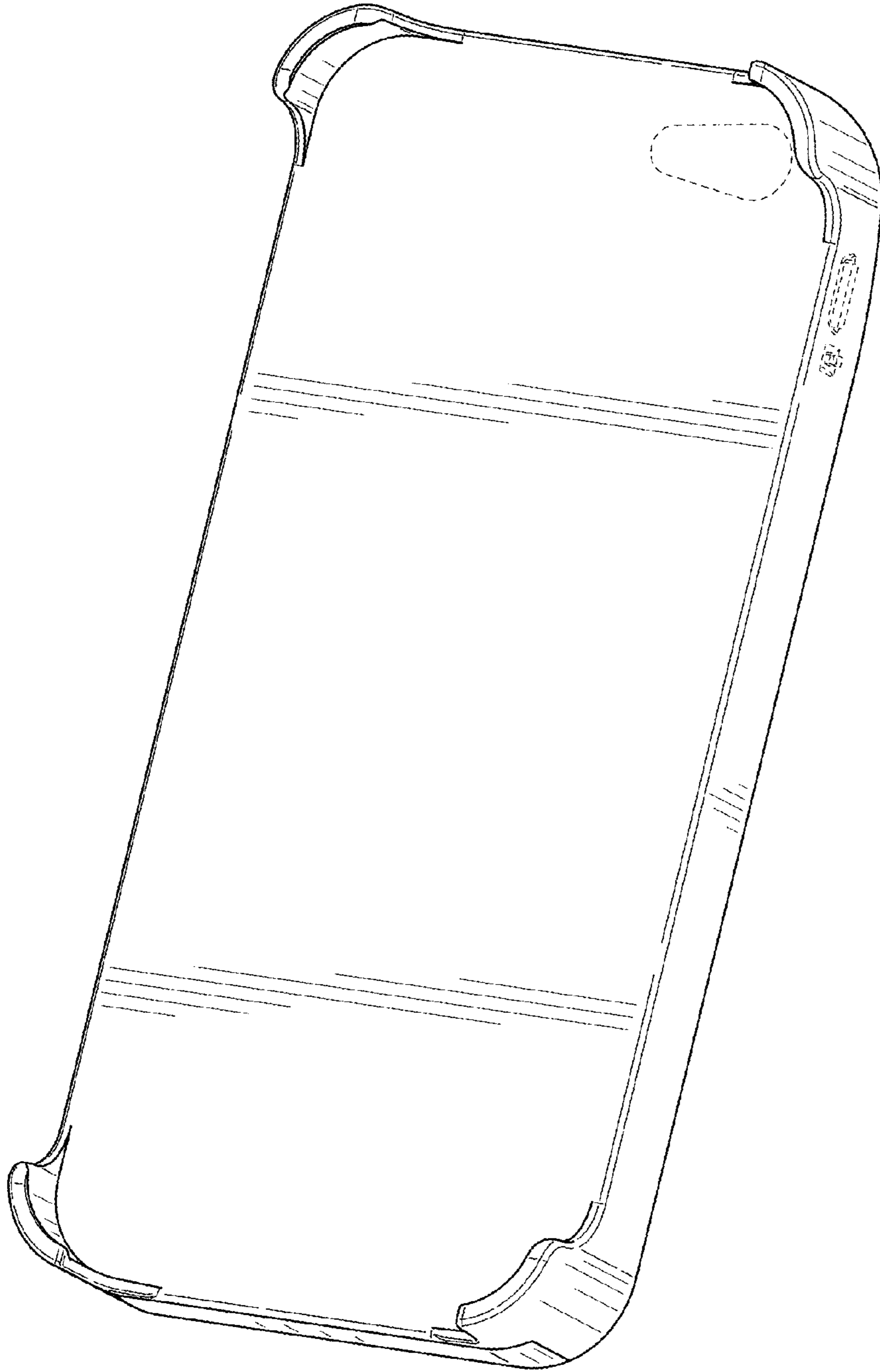


FIG. 4



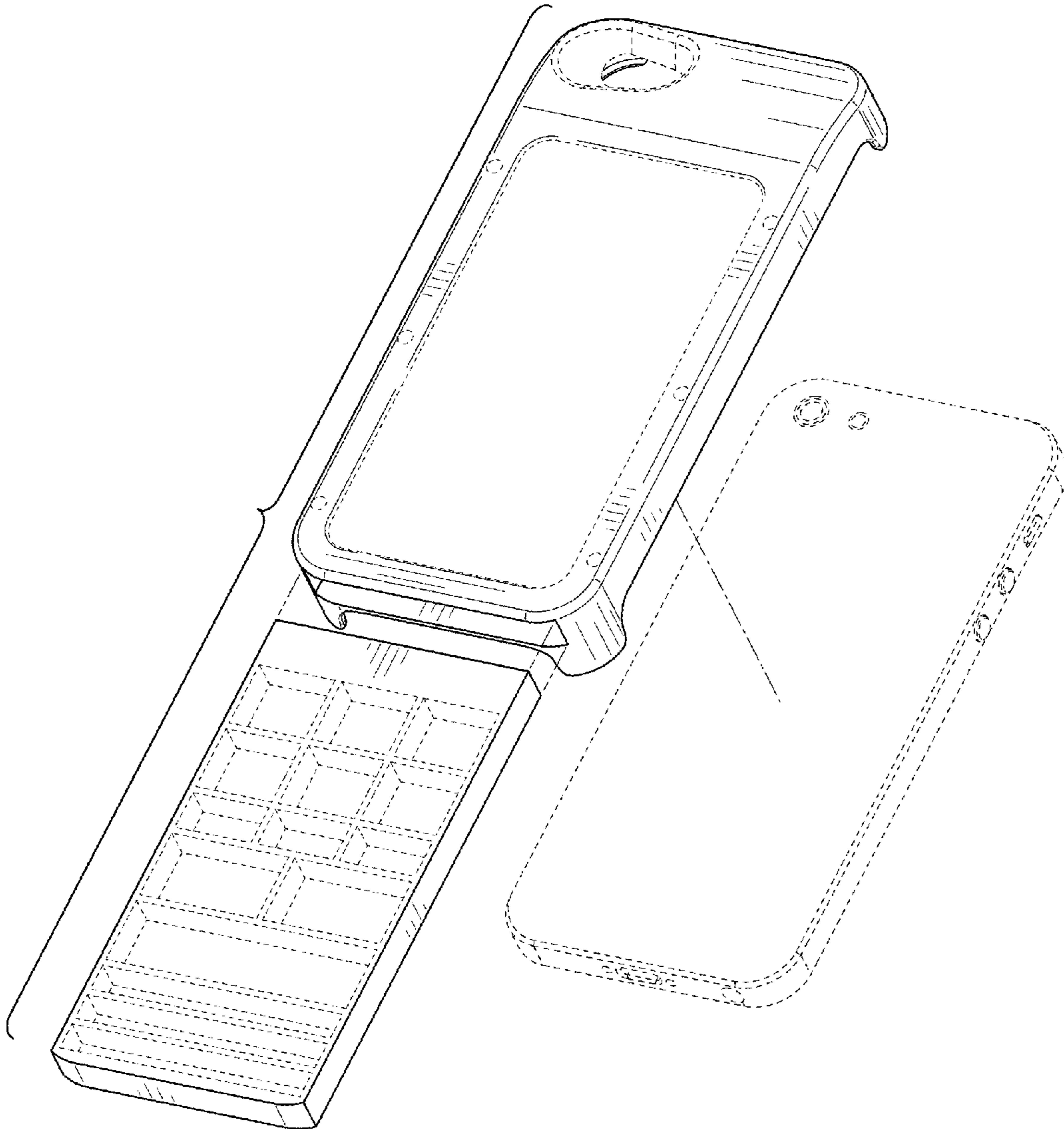


FIG. 5

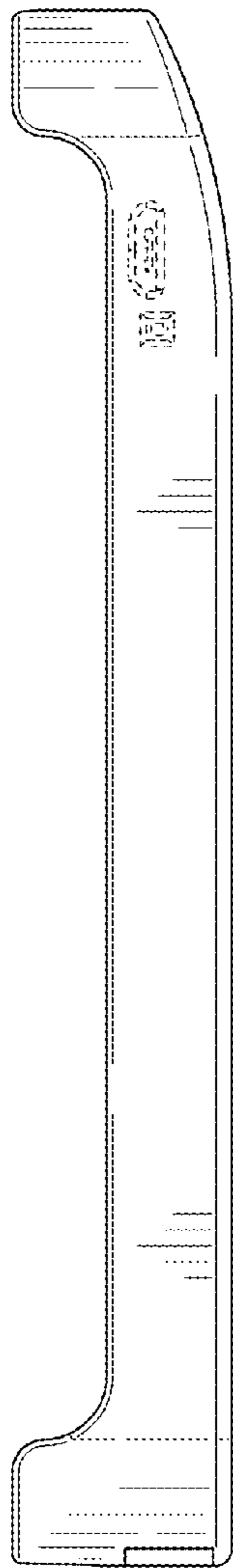


FIG. 6

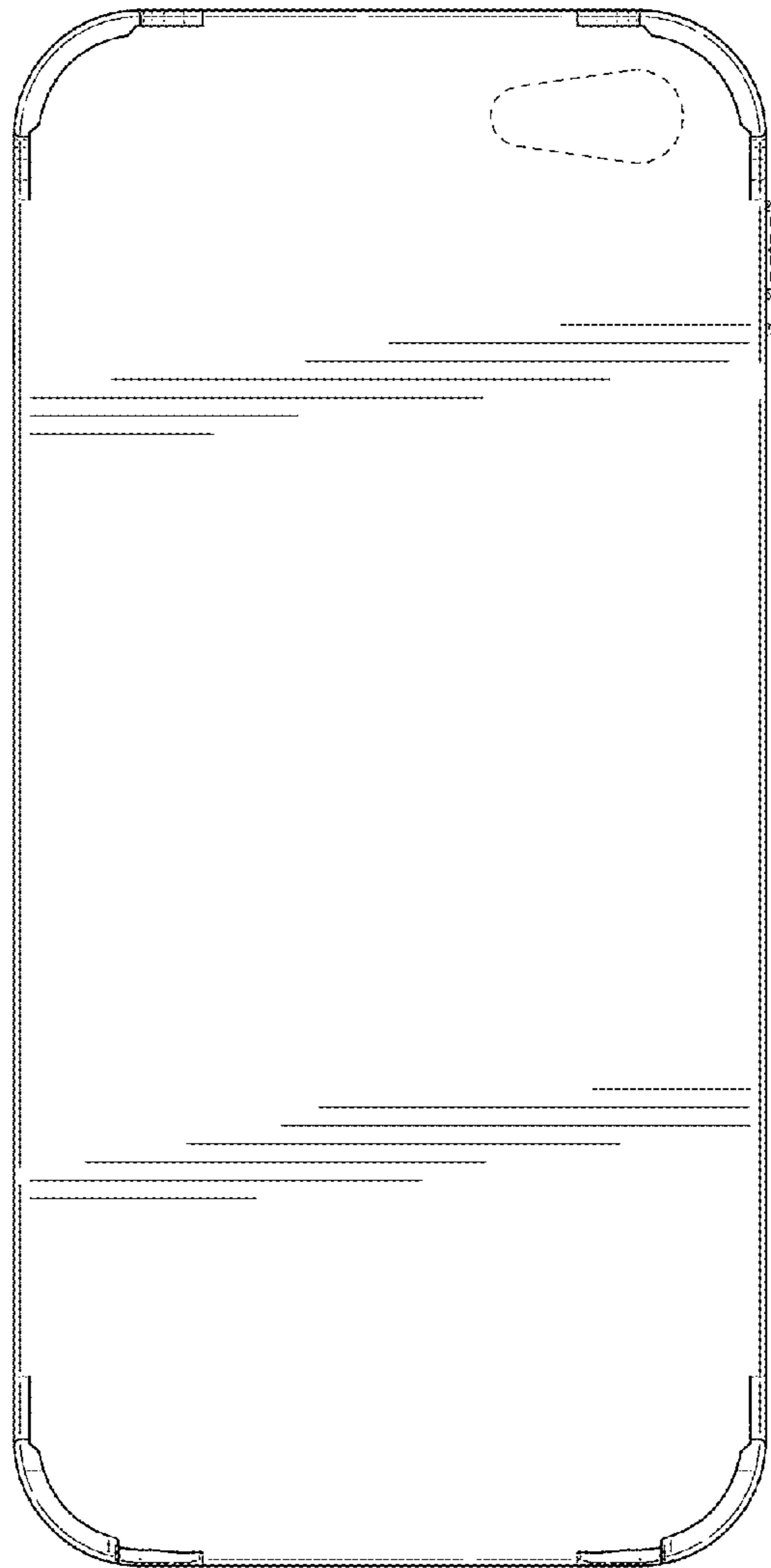


FIG. 7

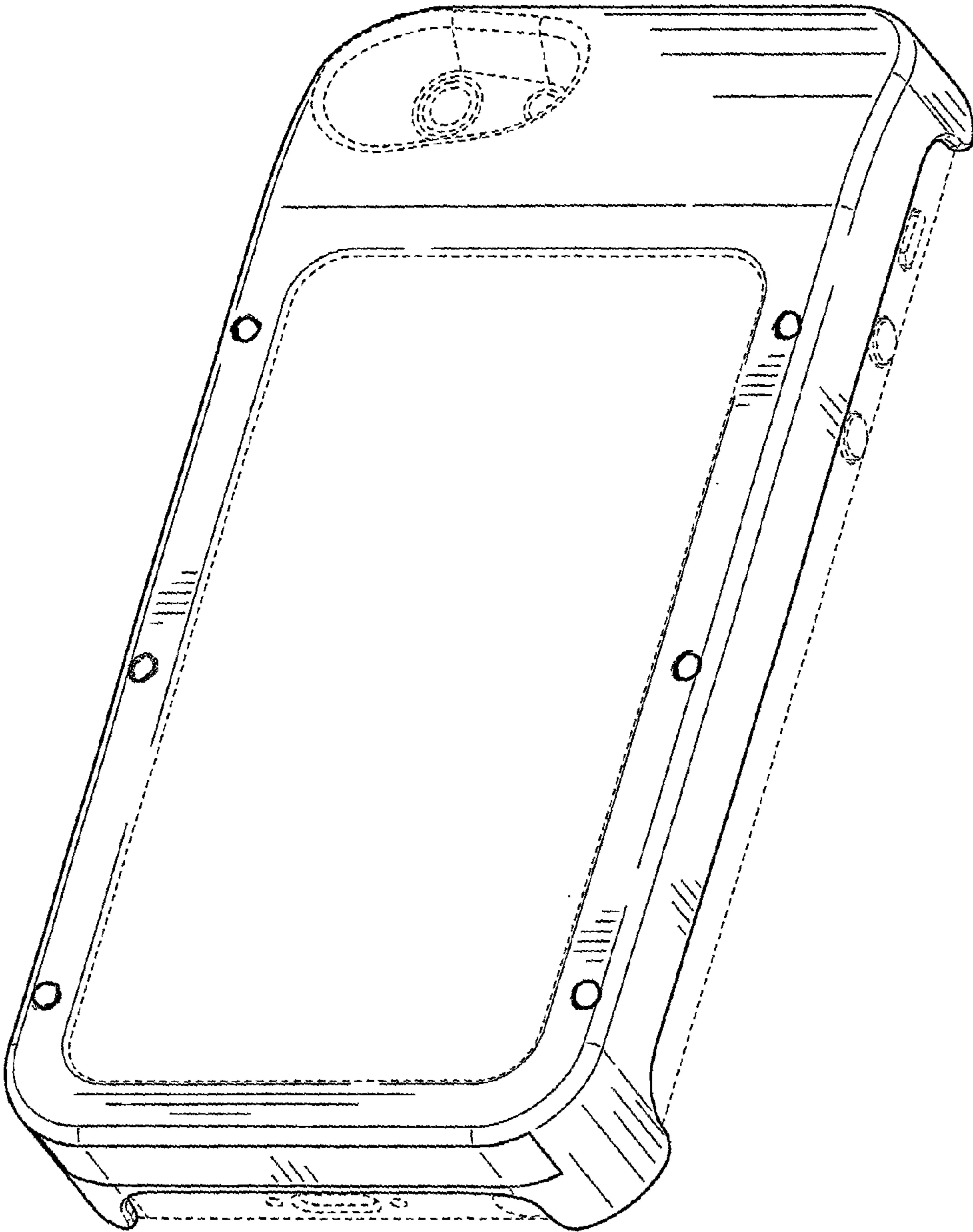


FIG. 8