



US00D724783S

(12) **United States Design Patent**
Liu

(10) **Patent No.:** **US D724,783 S**
(45) **Date of Patent:** **** Mar. 17, 2015**

- (54) **ELECTRONIC HOOKAH**
- (71) Applicant: **Qiuming Liu**, Shenzhen (CN)
- (72) Inventor: **Qiuming Liu**, Shenzhen (CN)
- (73) Assignee: **Kimree Hi-Tech, Inc.**, Tortola (VG)
- (**) Term: **14 Years**
- (21) Appl. No.: **29/482,823**
- (22) Filed: **Feb. 21, 2014**

(30) **Foreign Application Priority Data**

Jan. 10, 2014 (CN) 2014 3 0007422

(51) **LOC (10) Cl.** **27-02**

(52) **U.S. Cl.**
USPC **D27/162**

(58) **Field of Classification Search**
USPC D27/106, 162–169, 194; 131/220–222,
131/226, 173, 174, 194, 329–330; D7/584,
D7/585; D9/500, 502; D11/143, 144, 146,
D11/152
See application file for complete search history.

(56) **References Cited**

U.S. PATENT DOCUMENTS

D426,789 S *	6/2000	Joergensen	D11/149
D482,240 S *	11/2003	Soohee et al.	D7/584
D539,978 S *	4/2007	Kassir et al.	D27/162
D548,398 S *	8/2007	Chaoui	D27/162
D558,919 S *	1/2008	Kassir	D27/162
D561,388 S *	2/2008	Kassir	D27/162
D584,853 S *	1/2009	Kassir	D27/162
D608,941 S *	1/2010	Chaoui	D27/162

D618,389 S *	6/2010	Masri	D27/162
8,464,725 B2 *	6/2013	Badawi	131/173
2007/0215164 A1 *	9/2007	Mehio	131/173
2010/0326453 A1 *	12/2010	Chaoui	131/173

* cited by examiner

Primary Examiner — Susan Bennett Hattan

Assistant Examiner — Janice Hallmark

(74) *Attorney, Agent, or Firm* — Schwabe, Williamson & Wyatt

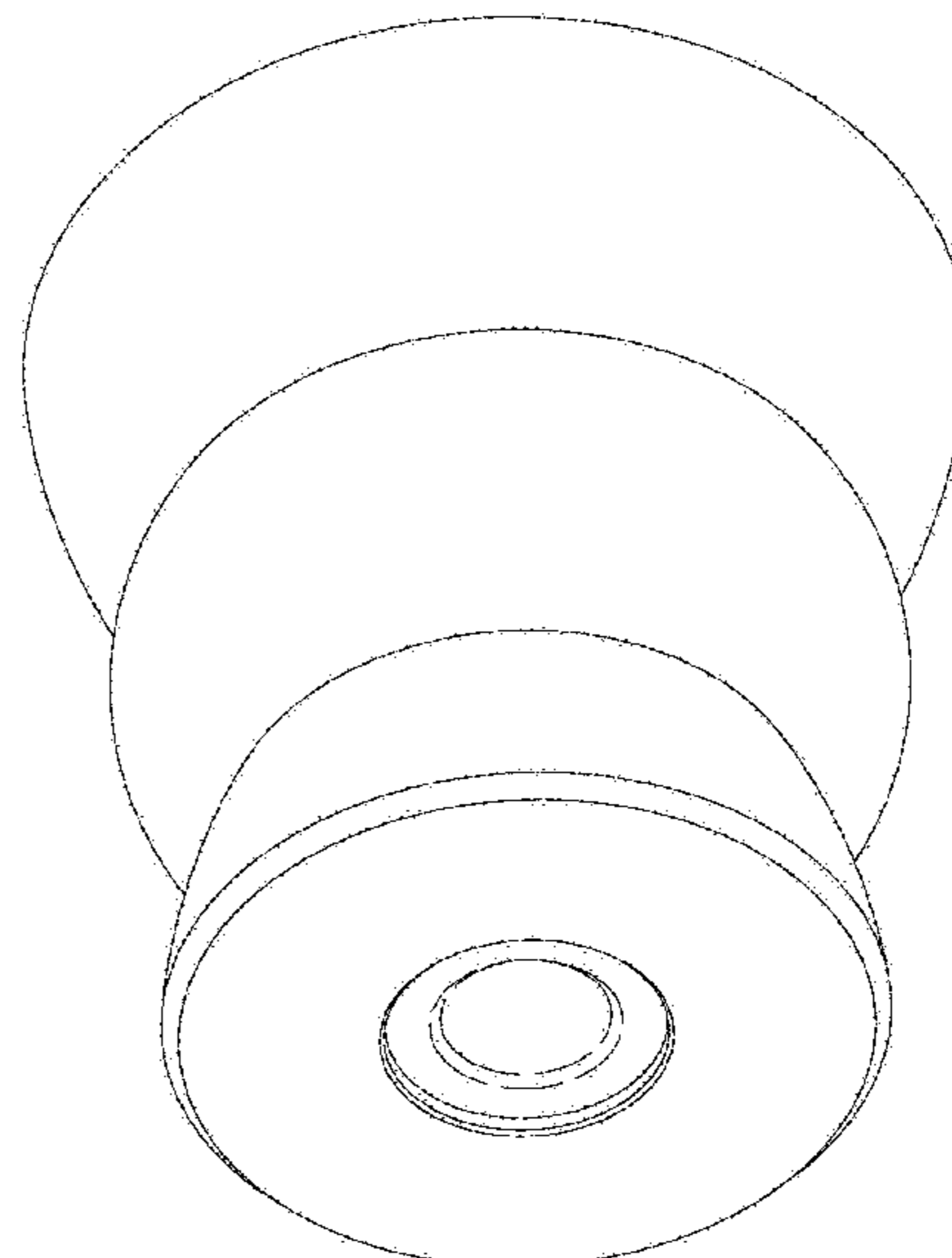
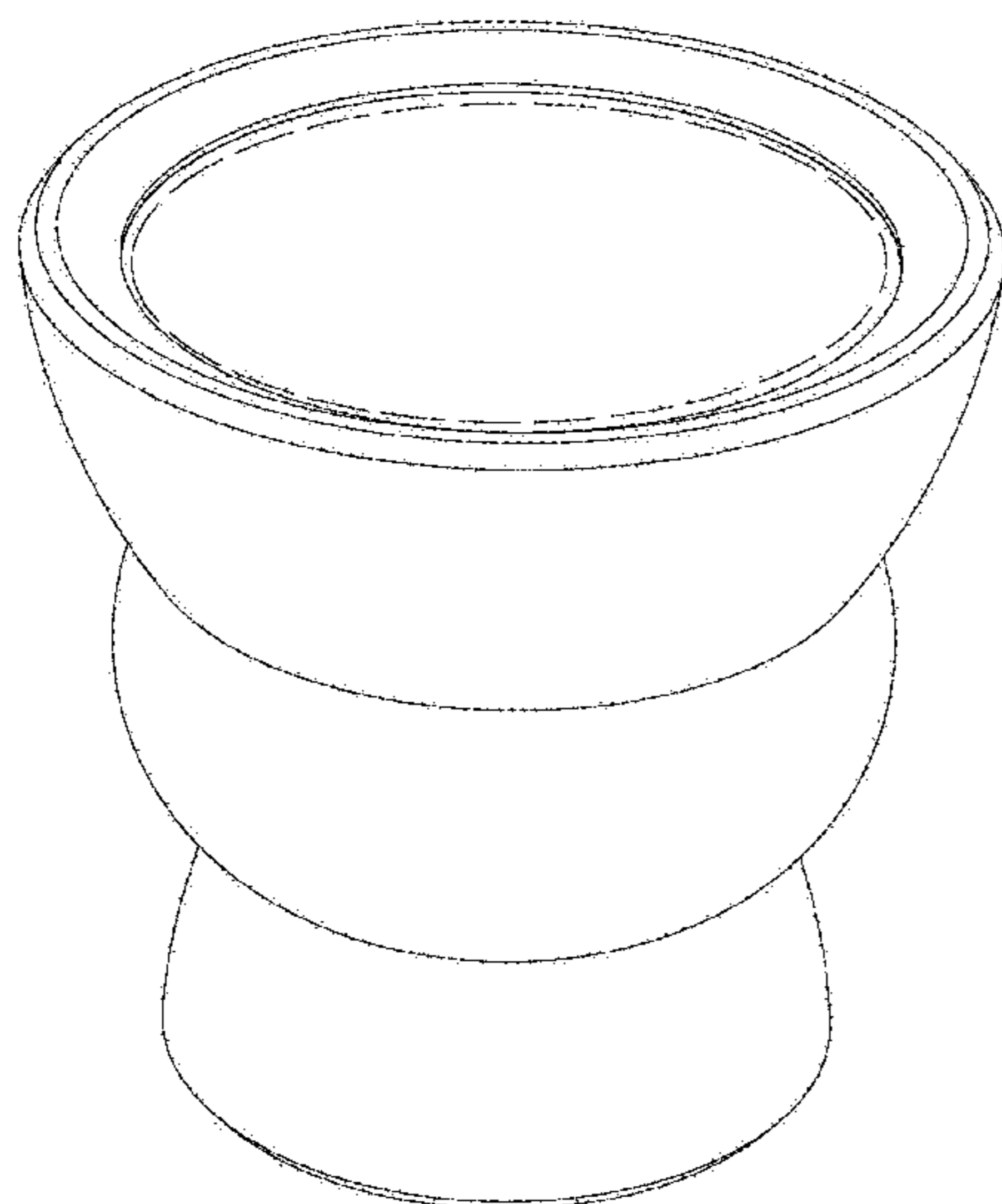
(57) **CLAIM**

The ornamental design for an electronic hookah, as shown and described.

DESCRIPTION

FIG. 1 is a front view of an electronic hookah according to the present application;
 FIG. 2 is a rear view of the electronic hookah according to the present application;
 FIG. 3 is a left view of the electronic hookah according to the present application;
 FIG. 4 is a right view of the electronic hookah according to the present application;
 FIG. 5 is a top view of the electronic hookah according to the present application;
 FIG. 6 is a bottom view of the electronic hookah according to the present application;
 FIG. 7 is a first perspective view of the electronic hookah according to the present application; and,
 FIG. 8 is a second perspective view of the electronic hookah according to the present application.
 The broken lines in the drawings illustrate portions of the electronic hookah which form no part of the claimed design.

1 Claim, 8 Drawing Sheets



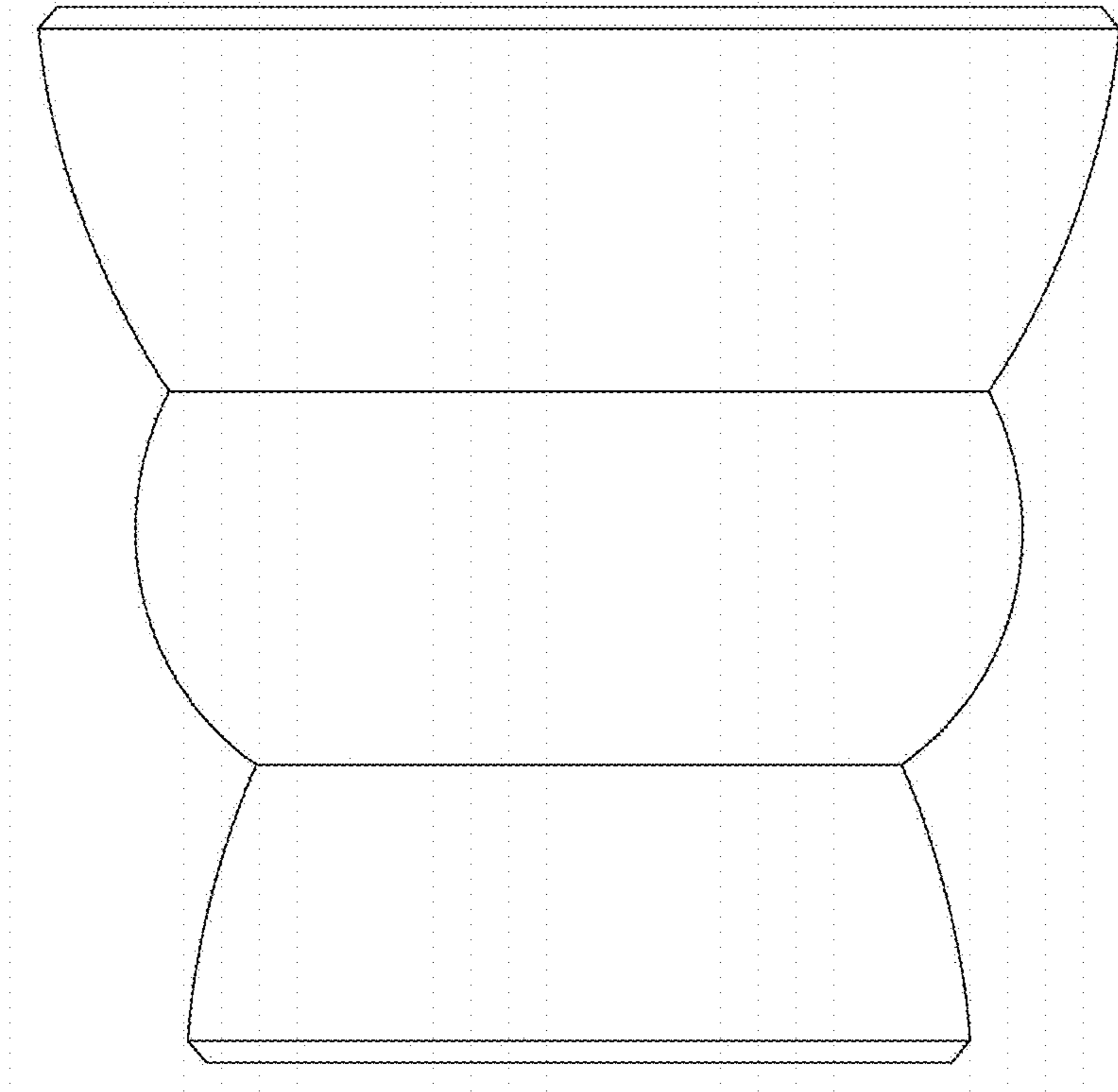


Figure 1

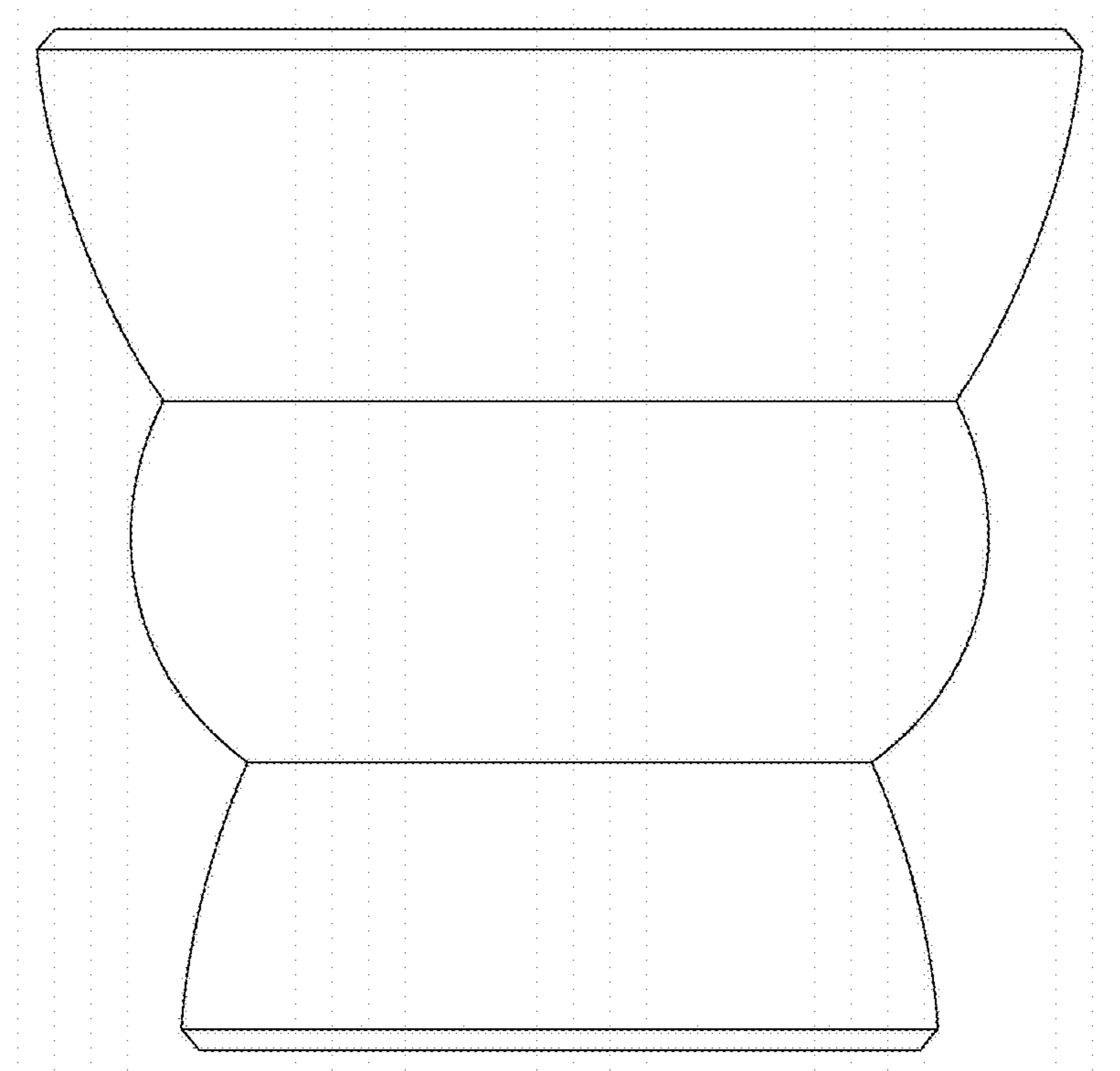


Figure 2

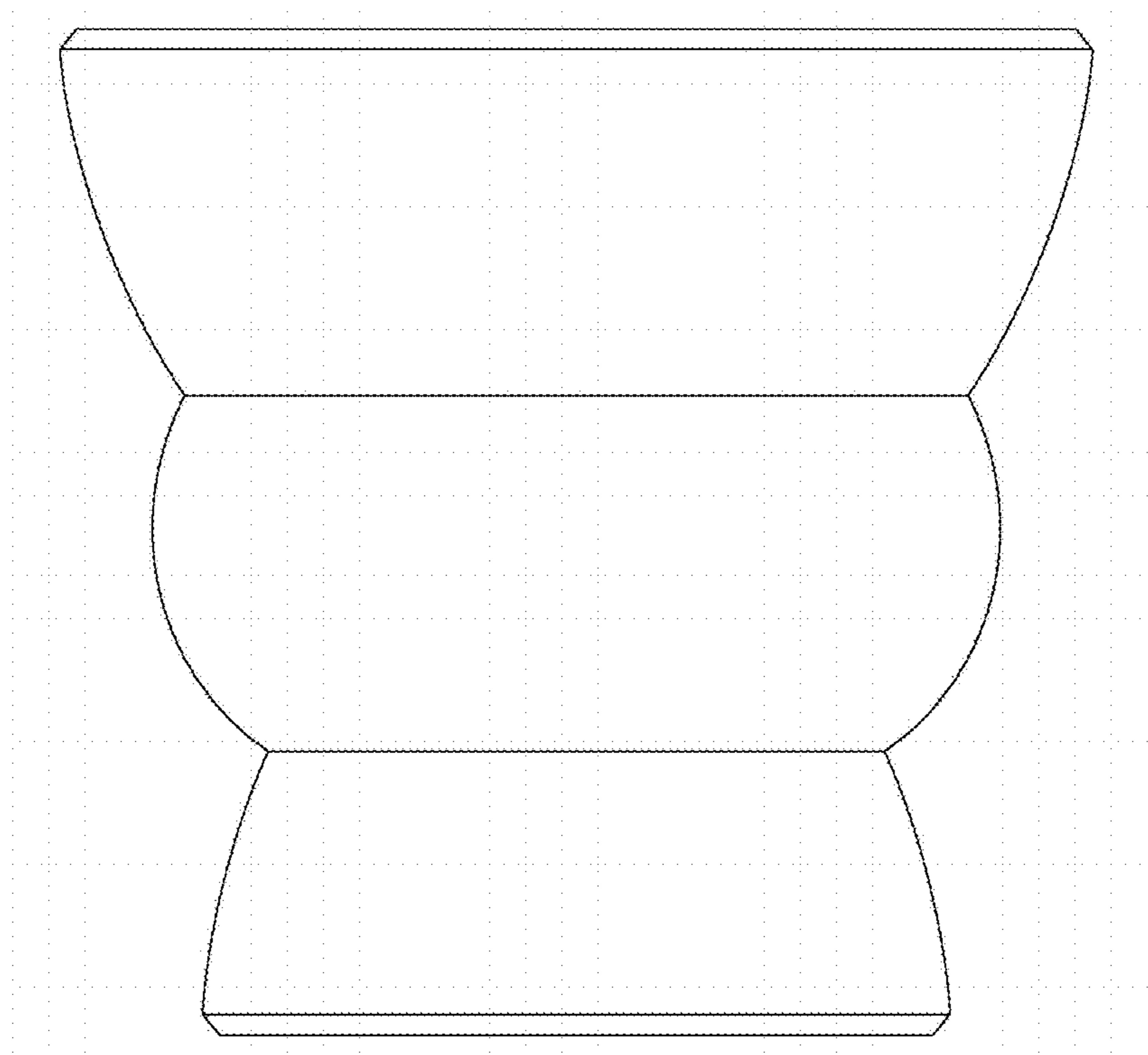


Figure 3

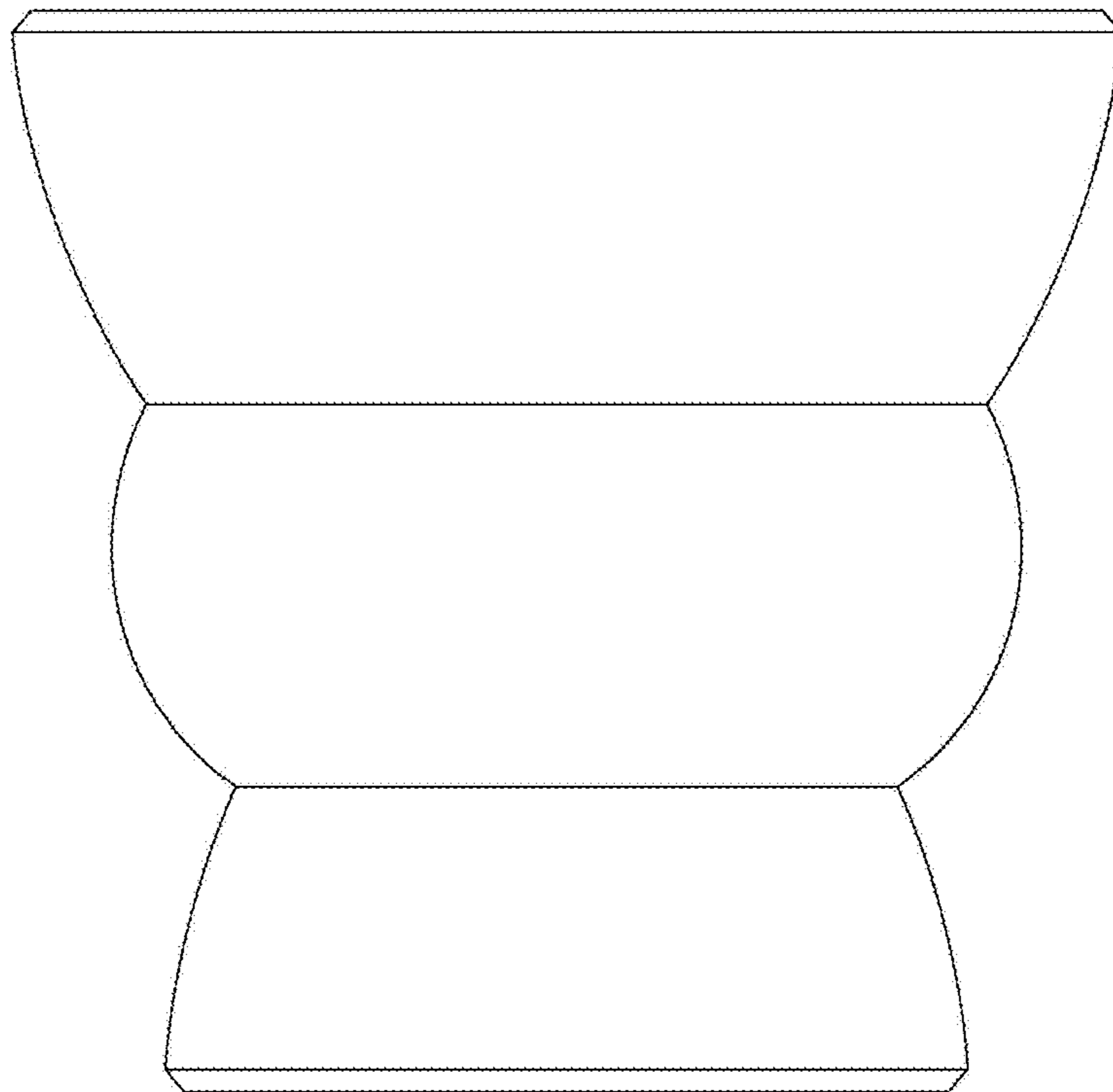


Figure 4

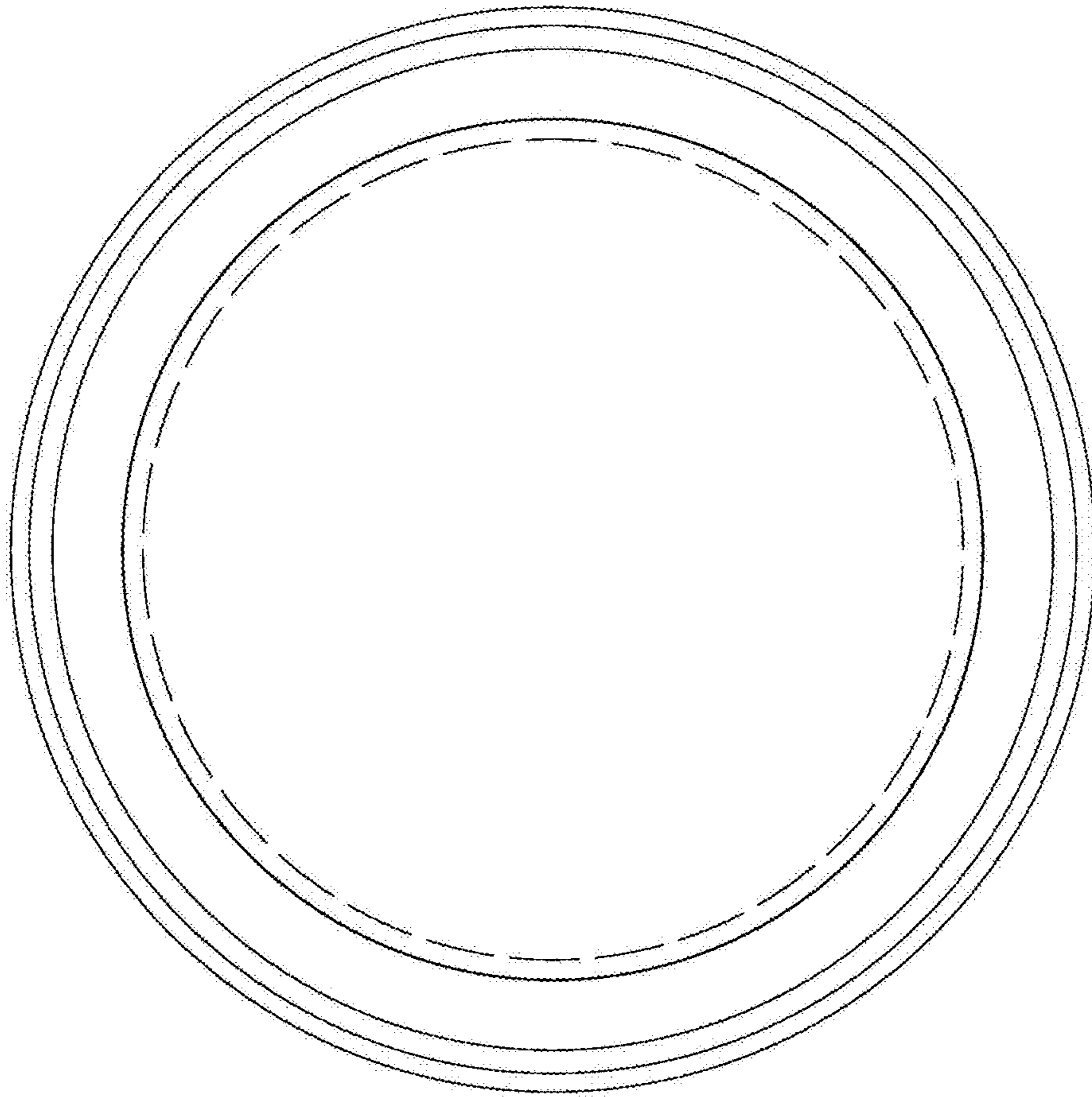


Figure 5

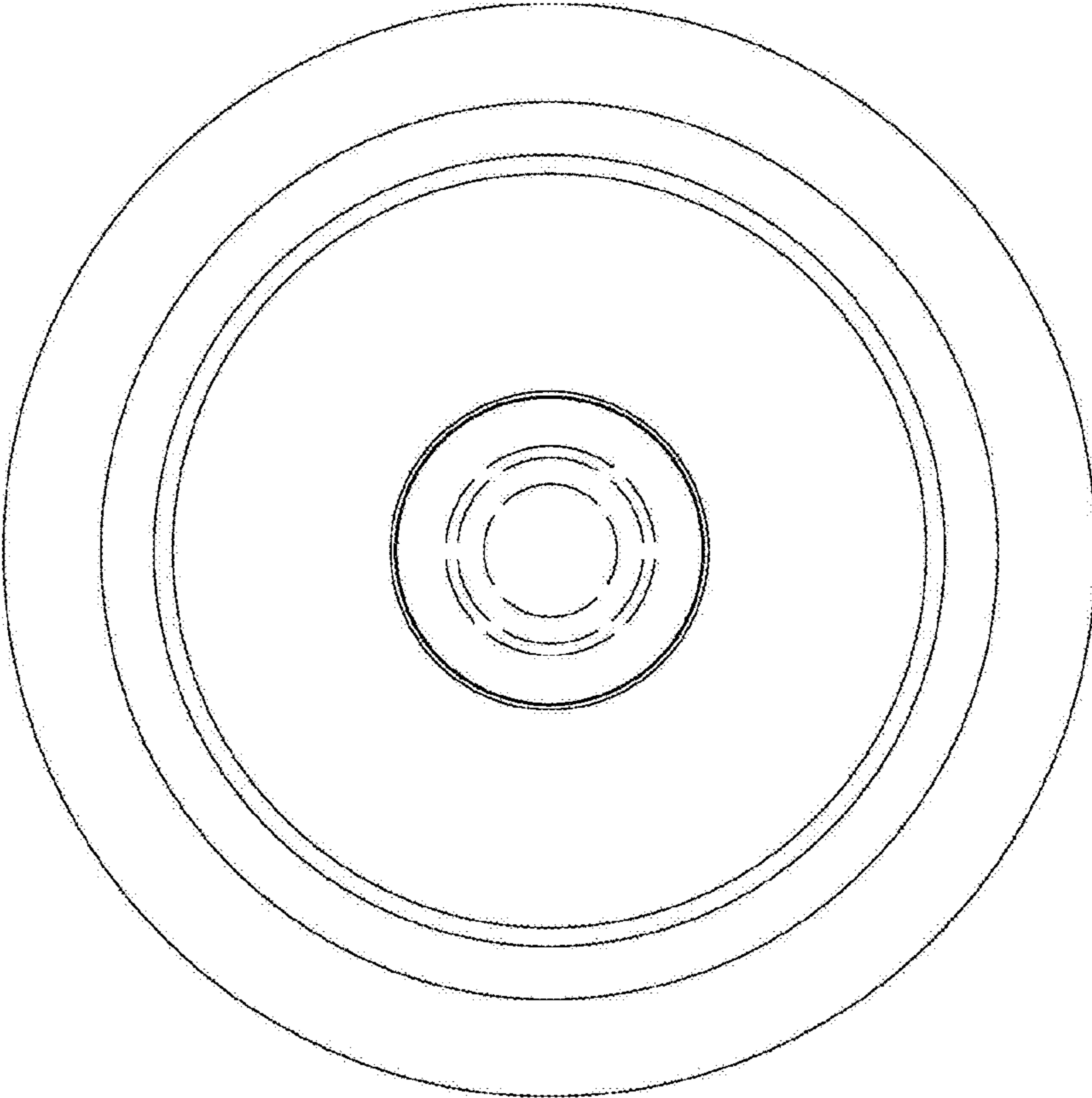


Figure 6

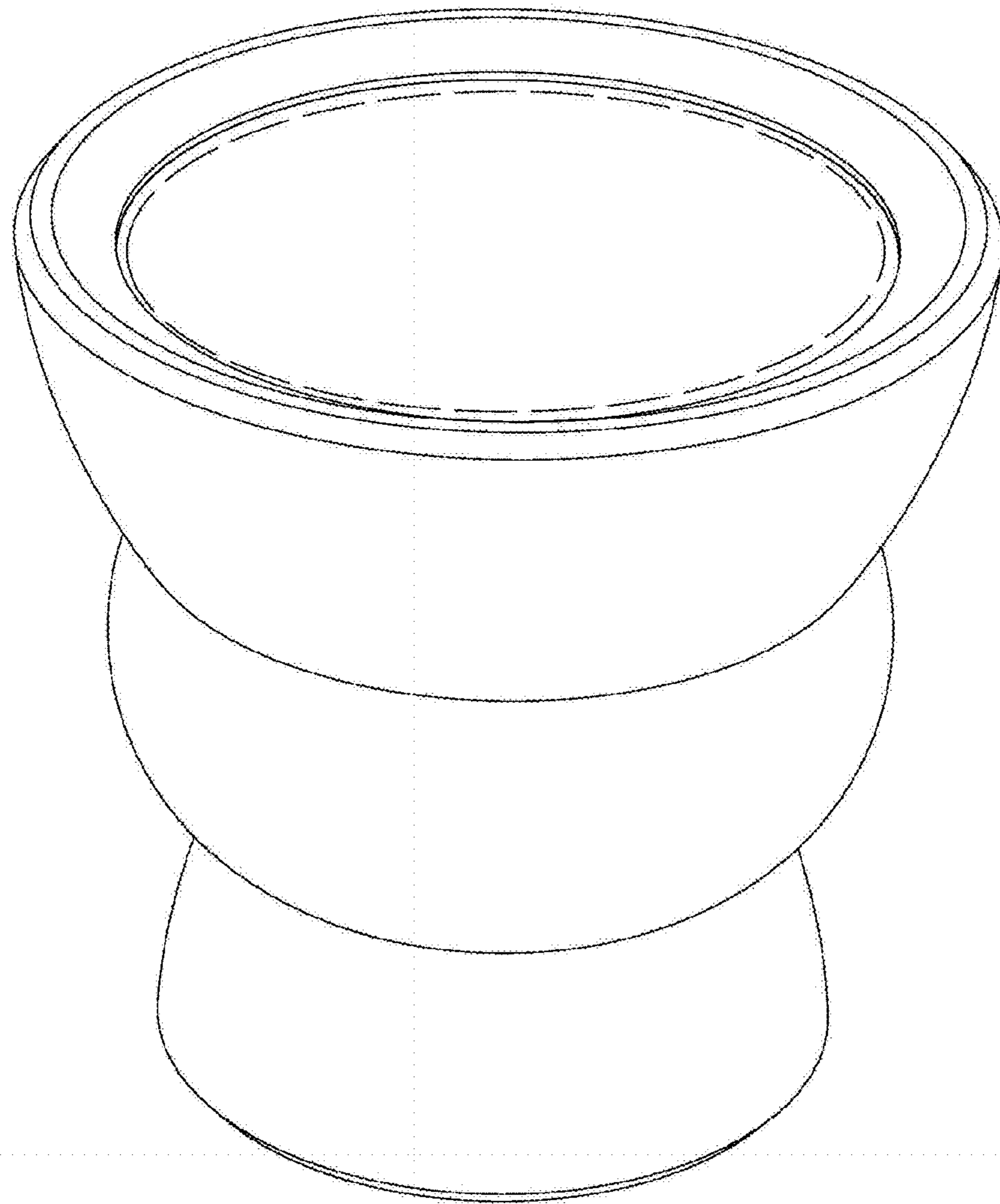


Figure 7

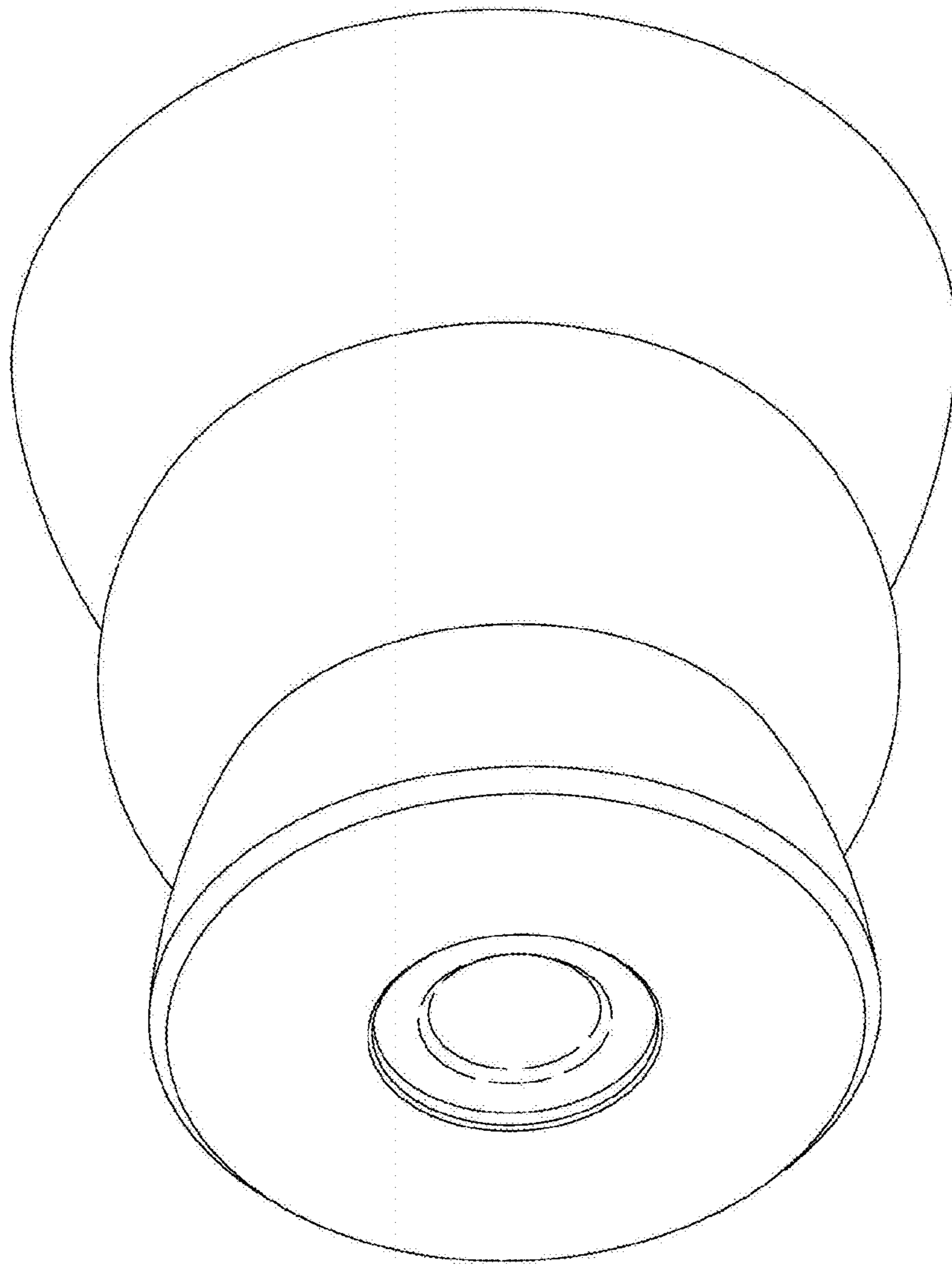


Figure 8