



US00D724781S

(12) **United States Design Patent**  
**Hearn et al.**

(10) **Patent No.:** **US D724,781 S**  
(45) **Date of Patent:** **\*\* Mar. 17, 2015**

(54) **INHALER**

(71) Applicant: **Kind Consumer Limited**, London (GB)

(72) Inventors: **Alex Hearn**, London (GB); **Khine Zaw Nyein**, Middlesex (GB)

(73) Assignee: **Kind Consumer Limited**, London (GB)

(\*\*) Term: **14 Years**

(21) Appl. No.: **29/468,112**

(22) Filed: **Sep. 26, 2013**

(30) **Foreign Application Priority Data**

Mar. 26, 2013 (EM) ..... 001366249-0001

(51) **LOC (10) Cl.** ..... **27-01**

(52) **U.S. Cl.**  
USPC ..... **D27/101**

(58) **Field of Classification Search**

CPC ..... A24F 1/02; A24F 1/04; A24F 1/06;  
A24F 1/08; A24F 1/10; A24F 1/12; A24F  
1/14; A24F 1/22; A24F 9/16; A24F  
47/002-47/008; A24F 1/30; A24F 47/00  
USPC ..... D27/100-101, 106, 143, 152, 161-172,  
D27/183-184, 187, 189, 190, 193-194;  
131/220-222, 226, 173, 174, 194,  
131/328-330, 270, 273; D7/584, 585;  
D9/500, 502; D11/143, 144, 146, 152;  
D24/110.5, 110

See application file for complete search history.

(56) **References Cited**

U.S. PATENT DOCUMENTS

5,042,510 A \* 8/1991 Curtiss et al. .... 131/273  
5,535,735 A \* 7/1996 McPherson ..... 128/202.21  
6,196,218 B1 \* 3/2001 Voges ..... 128/200.14  
D624,238 S \* 9/2010 Turner ..... D27/101

D642,330 S \* 7/2011 Turner ..... D27/101  
D662,257 S \* 6/2012 Alelov ..... D27/101  
D666,355 S \* 8/2012 Alelov ..... D27/101  
D684,311 S \* 6/2013 Liu ..... D27/101  
D685,522 S \* 7/2013 Potter et al. .... D27/101  
8,499,766 B1 \* 8/2013 Newton ..... 131/273  
D691,324 S \* 10/2013 Saliman ..... D27/101  
D691,766 S \* 10/2013 Tucker et al. .... D27/170  
D695,449 S \* 12/2013 Tucker et al. .... D27/101  
8,733,345 B2 \* 5/2014 Siller ..... 128/202.21  
8,746,240 B2 \* 6/2014 Terry et al. .... 128/202.21  
8,770,187 B2 \* 7/2014 Murphy ..... 128/200.18  
2005/0016550 A1 \* 1/2005 Katase ..... 131/194  
2006/0254604 A1 \* 11/2006 Martinez Fernandez .... 131/273  
2010/0083959 A1 \* 4/2010 Siller ..... 128/202.21  
2010/0200008 A1 \* 8/2010 Taieb ..... 131/360  
2010/0319686 A1 \* 12/2010 Schennum ..... 128/200.23  
2011/0036346 A1 \* 2/2011 Cohen et al. .... 128/200.14  
2011/0232654 A1 \* 9/2011 Mass ..... 131/273  
2011/0290244 A1 \* 12/2011 Schennum ..... 128/200.23  
2012/0090628 A1 \* 4/2012 Turner et al. .... 131/273  
2013/0152956 A1 \* 6/2013 von Borstel et al. .... 131/329  
2013/0284194 A1 \* 10/2013 Newton ..... 131/329

\* cited by examiner

*Primary Examiner* — Susan Bennett Hattan

*Assistant Examiner* — Janice Hallmark

(74) *Attorney, Agent, or Firm* — Patterson & Sheridan, LLP

(57) **CLAIM**

The ornamental design for an inhaler, as shown and described.

**DESCRIPTION**

FIG. 1 is a perspective view of an inhaler showing our new design;

FIG. 2 is another perspective view thereof;

FIG. 3 is a bottom plan view thereof;

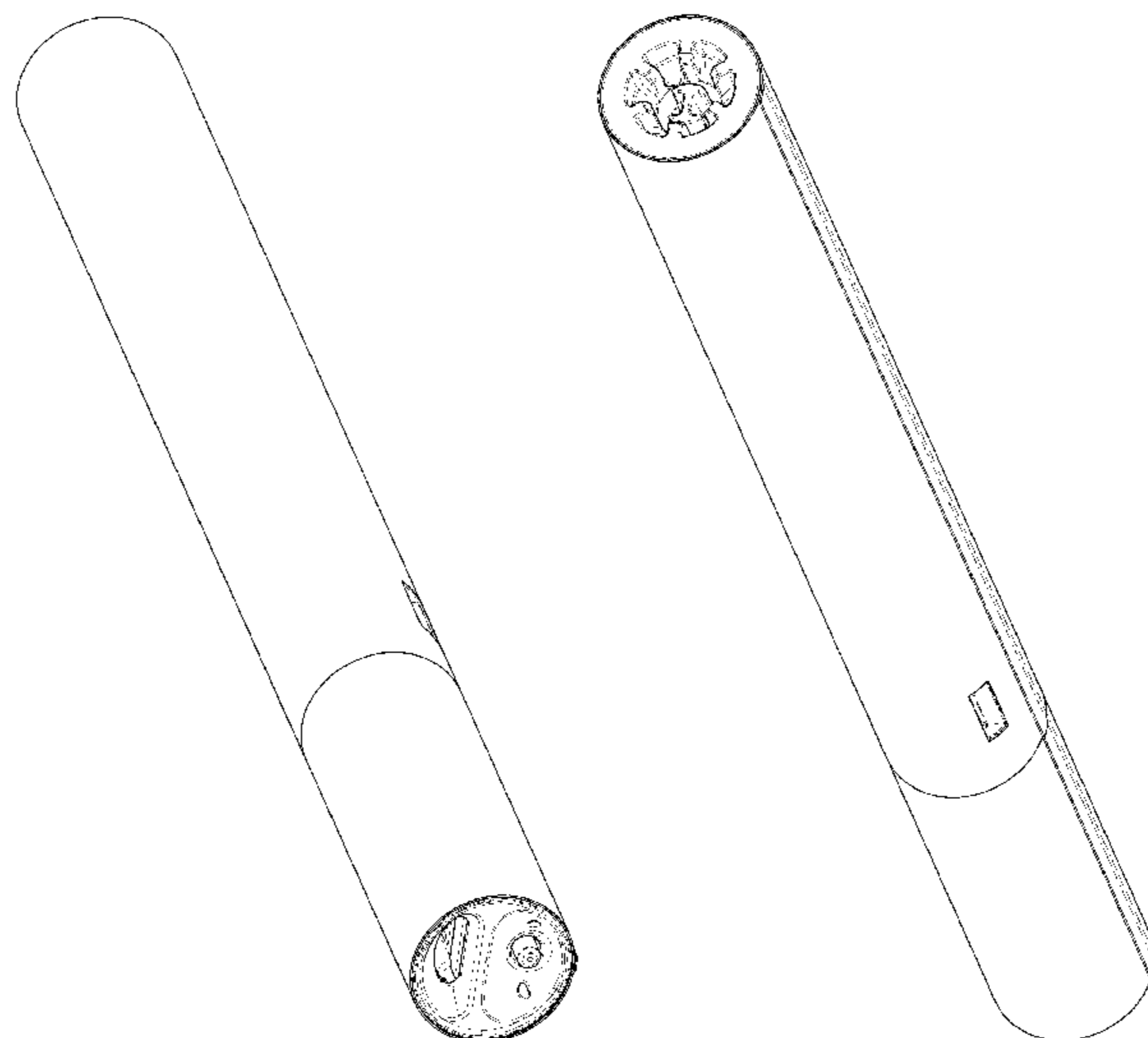
FIG. 4 is a top plan view thereof;

FIG. 5 is a side elevational view thereof;

FIG. 6 is a front elevational view thereof; and,

FIG. 7 is a rear elevational view thereof.

**1 Claim, 6 Drawing Sheets**



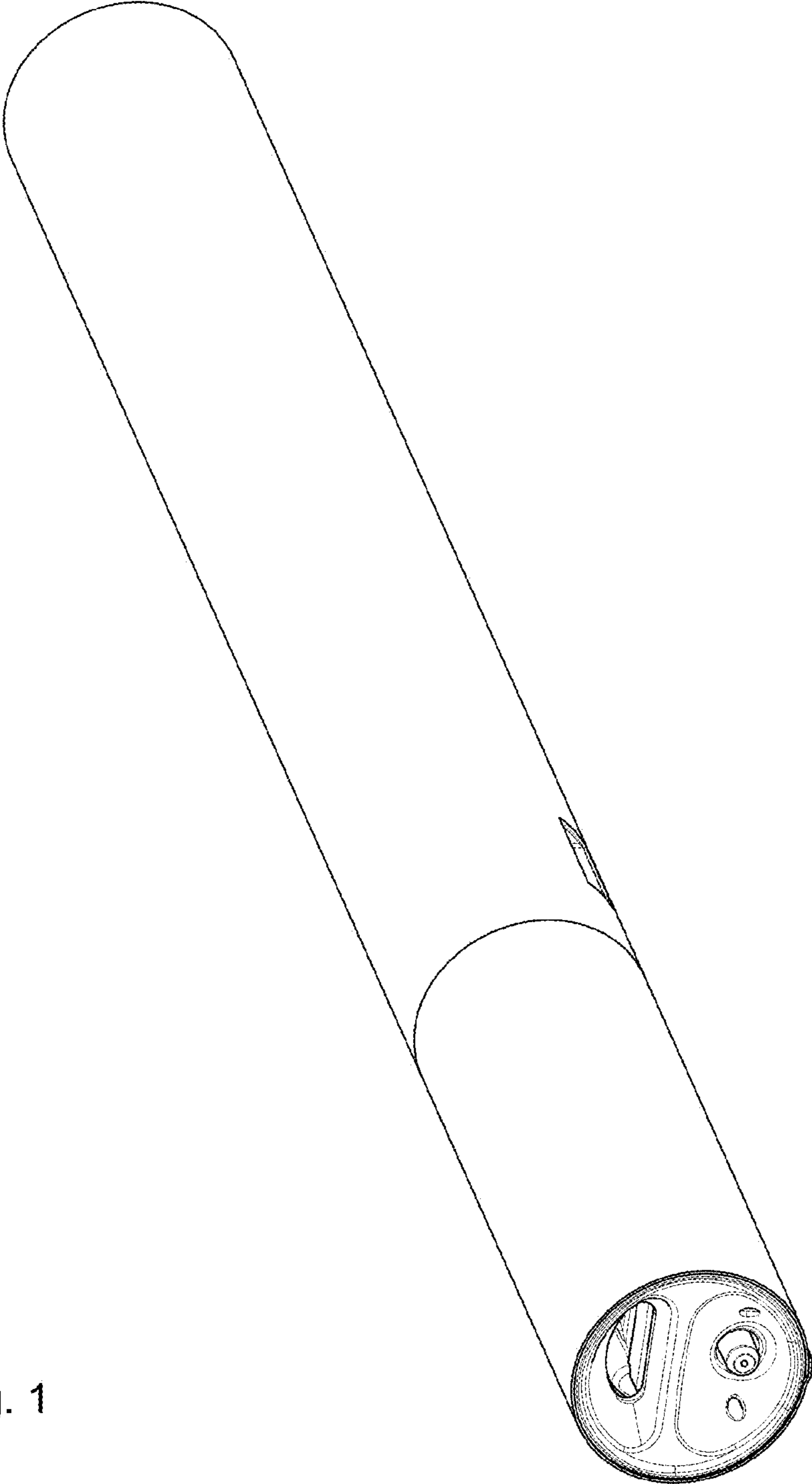


Fig. 1

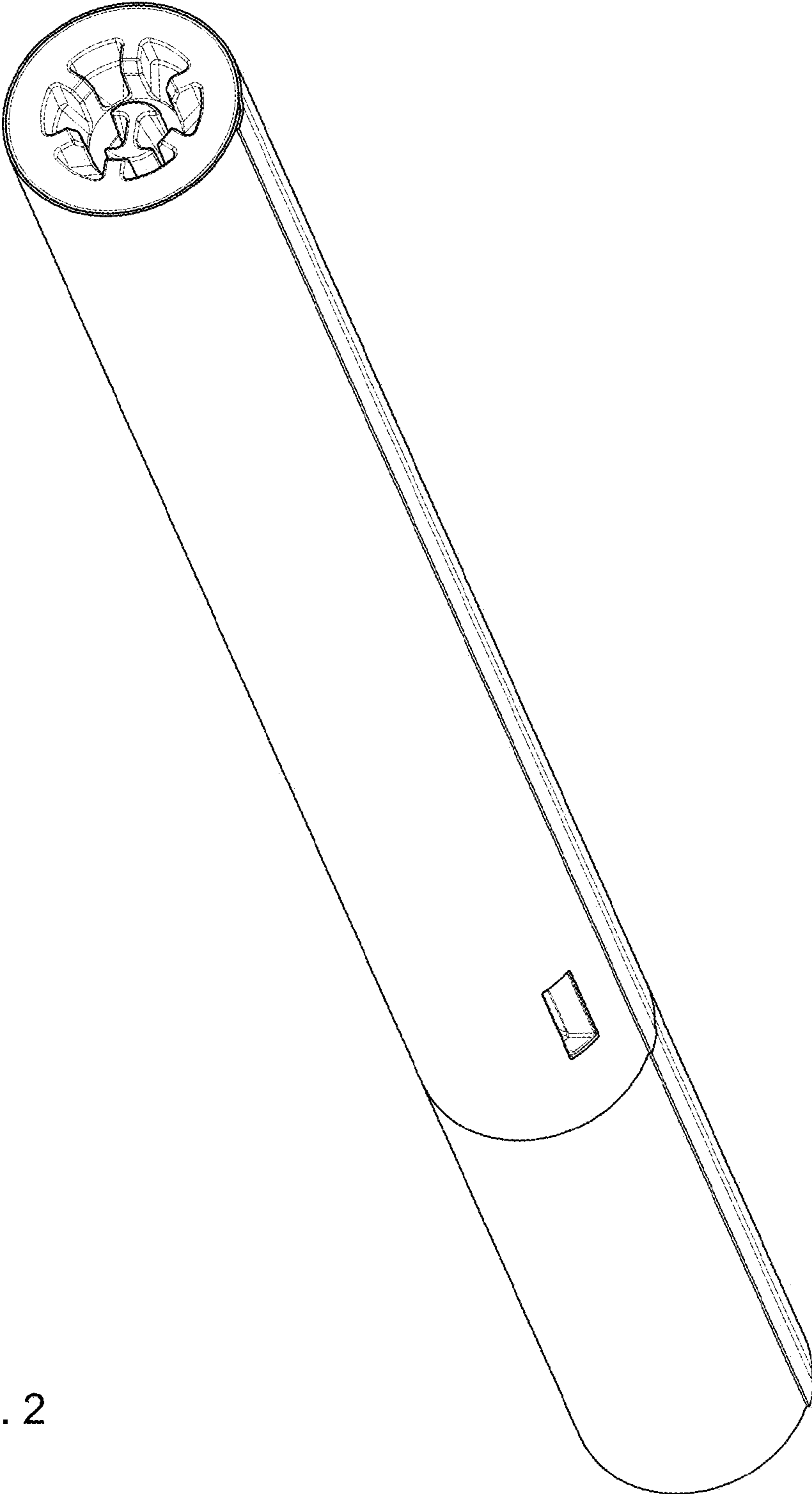


Fig. 2

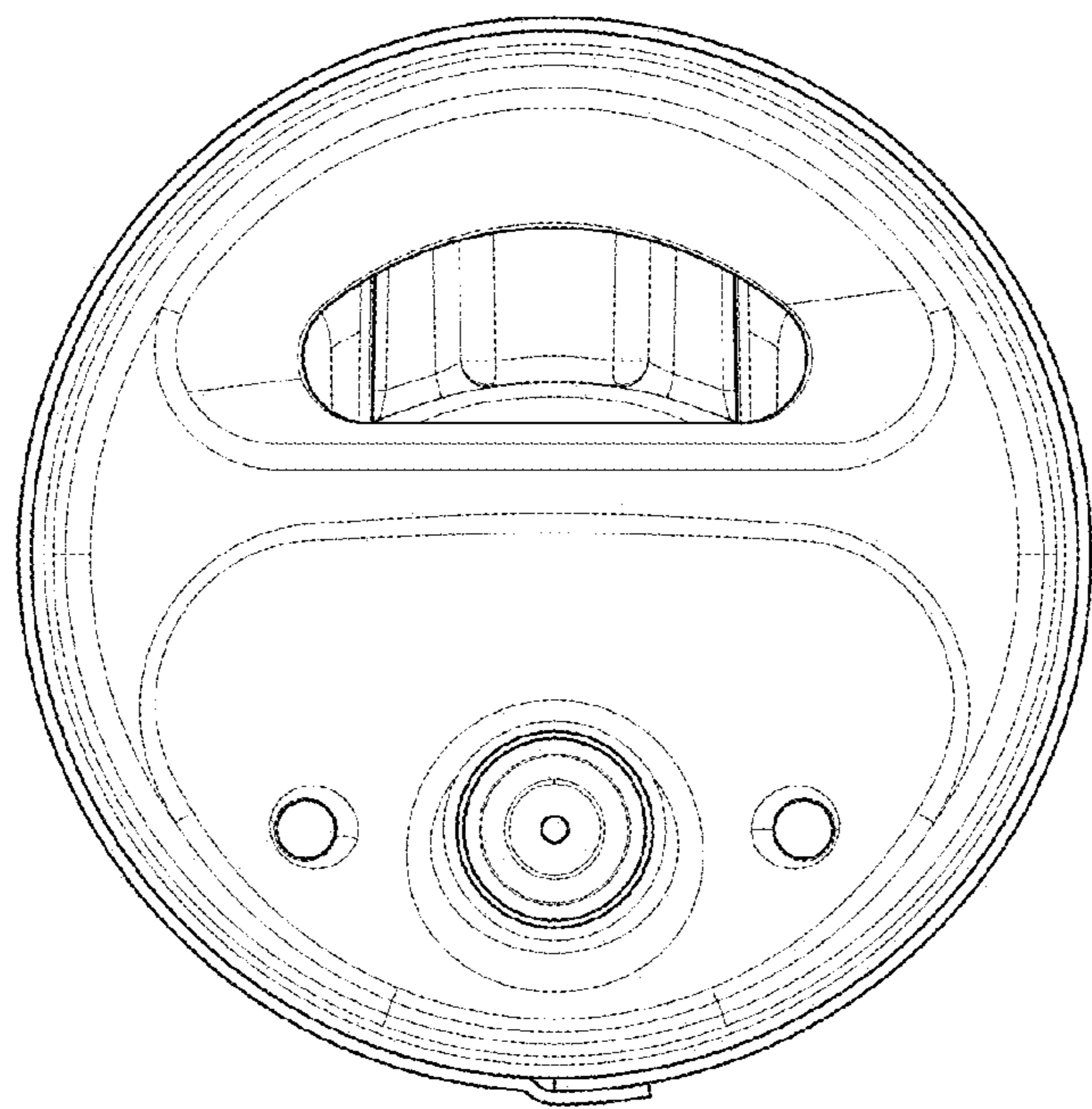


Fig. 3

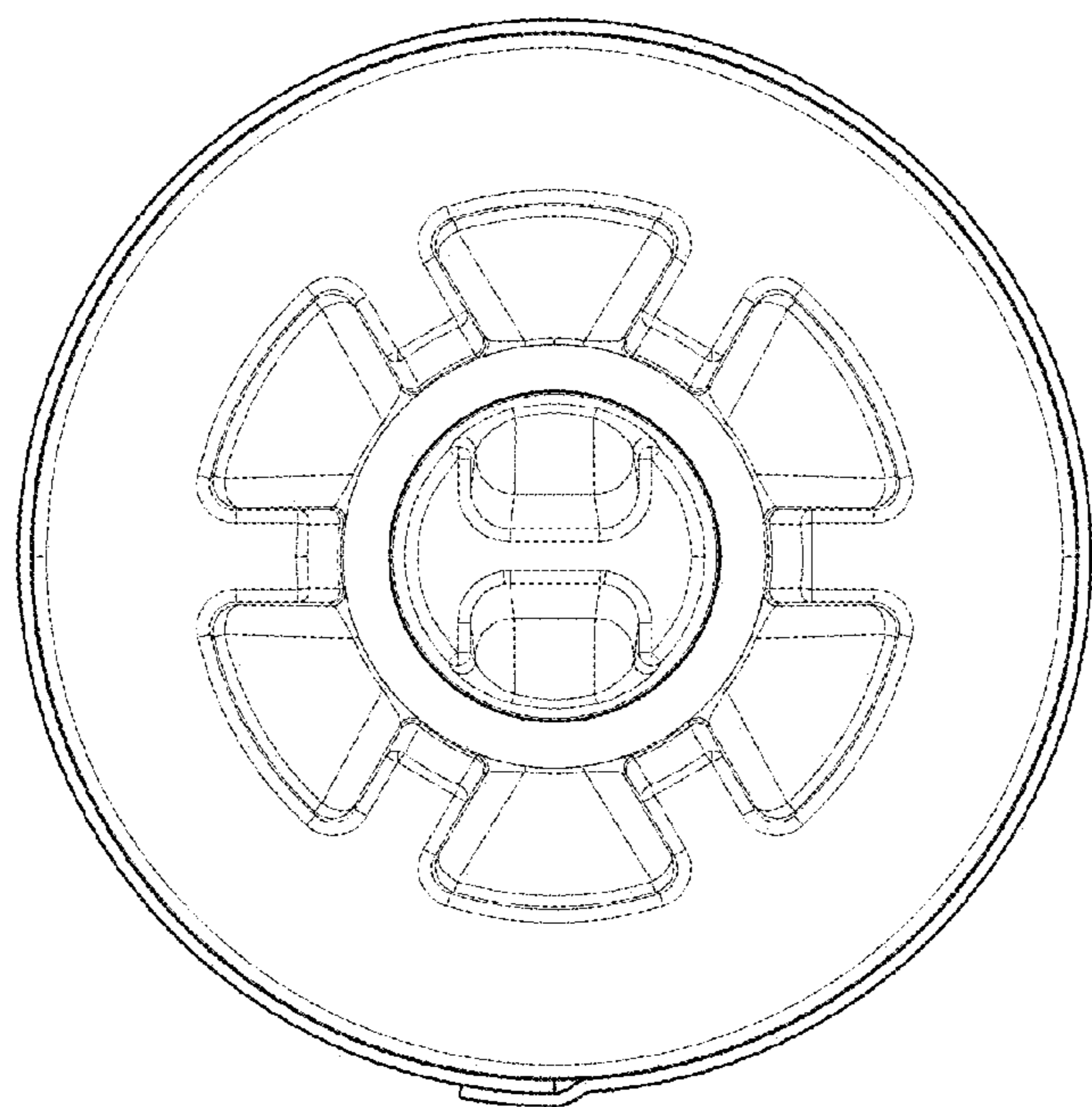


Fig. 4

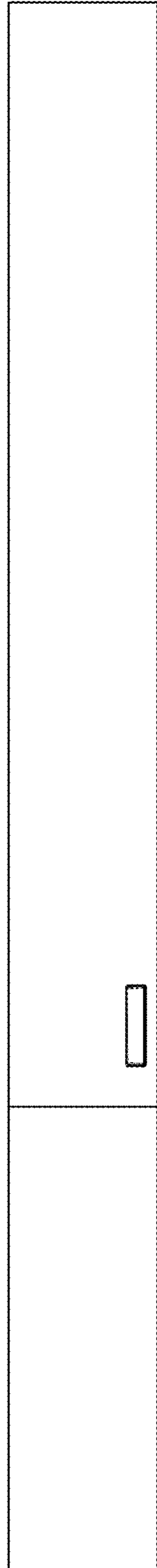


Fig. 5



Fig. 6

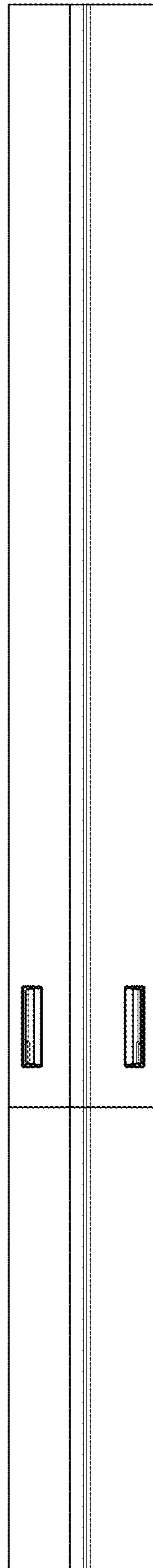


Fig. 7