



US00D724779S

(12) **United States Design Patent**
Liu

(10) **Patent No.:** **US D724,779 S**
(45) **Date of Patent:** **** Mar. 17, 2015**

(54) **ELECTRONIC CIGARETTE**

(71) Applicant: **Qiuming Liu**, Shenzhen (CN)

(72) Inventor: **Qiuming Liu**, Shenzhen (CN)

(73) Assignee: **Kimree Hi-Tech Inc.**, Tortola (VG)

(**) Term: **14 Years**

(21) Appl. No.: **29/453,080**

(22) Filed: **Apr. 24, 2013**

(30) **Foreign Application Priority Data**

Mar. 21, 2013 (CN) 2013 3 0074943

(51) **LOC (10) Cl.** **27-01**

(52) **U.S. Cl.**
USPC **D27/101**

(58) **Field of Classification Search**

CPC A24F 25/02; A24F 47/008; A24F 13/26;
A24F 13/24; A24F 47/00

USPC D27/100, 101, 103, 104, 105, 108, 125,
D27/163, 164, 170, 172, 174, 175, 183, 184,
D27/186, 187, 188, 189, 190, 191, 192, 194,
D27/195; D28/75, 76, 85; 4/258, 259, 267,
4/271, 283; 131/235.1, 270, 271, 272,
131/273, 329; D19/135, 140, 163, 166,
D19/167, 169, 170, 925; 401/10, 63, 214;
D24/113, 210; D7/697; D9/666, 689

See application file for complete search history.

(56) **References Cited**

U.S. PATENT DOCUMENTS

2,726,760	A *	12/1955	Dulberg	401/63
D345,630	S *	3/1994	Chevassus	D28/85
D420,215	S *	2/2000	MacDonald	D3/207
D425,257	S *	5/2000	Acker et al.	D28/85
D530,857	S *	10/2006	Black	D28/7
D555,726	S *	11/2007	Huff	D19/43
D568,935	S *	5/2008	Qiu et al.	D19/48
D585,997	S *	2/2009	Adam et al.	D24/210
D586,253	S *	2/2009	Forster, Jr.	D11/80
D641,250	S *	7/2011	Daniels et al.	D9/666
D648,862	S *	11/2011	Yen	D24/215
D676,488	S *	2/2013	Casini	D19/42
D710,992	S *	8/2014	Dubuc et al.	D24/113

* cited by examiner

Primary Examiner — Barbara Fox

Assistant Examiner — Chelsea Sealey

(74) *Attorney, Agent, or Firm* — Cheng-Ju Chiang

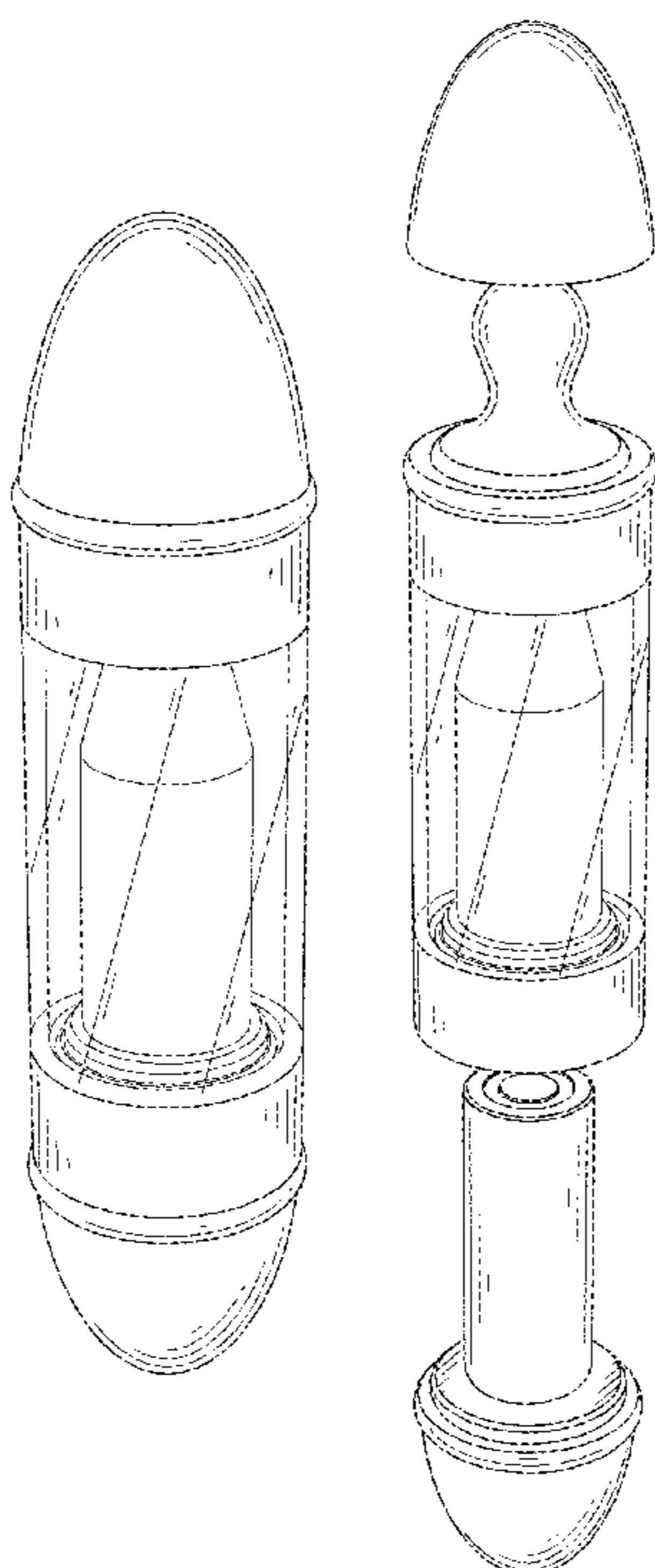
(57) **CLAIM**

The ornamental design for an “electronic cigarette,” as shown and described.

DESCRIPTION

FIG. 1 is a front, top and right side perspective view of an electronic cigarette showing my new design;
FIG. 2 is a front elevational view of FIG. 1;
FIG. 3 is a rear elevational view of FIG. 1;
FIG. 4 is a left side elevational view of FIG. 1;
FIG. 5 is a right side elevational view of FIG. 1;
FIG. 6 is a top plan view of FIG. 1;
FIG. 7 is a bottom plan view of FIG. 1; and,
FIG. 8 is a front, top and right side perspective view of FIG. 1 in a released state.

1 Claim, 8 Drawing Sheets



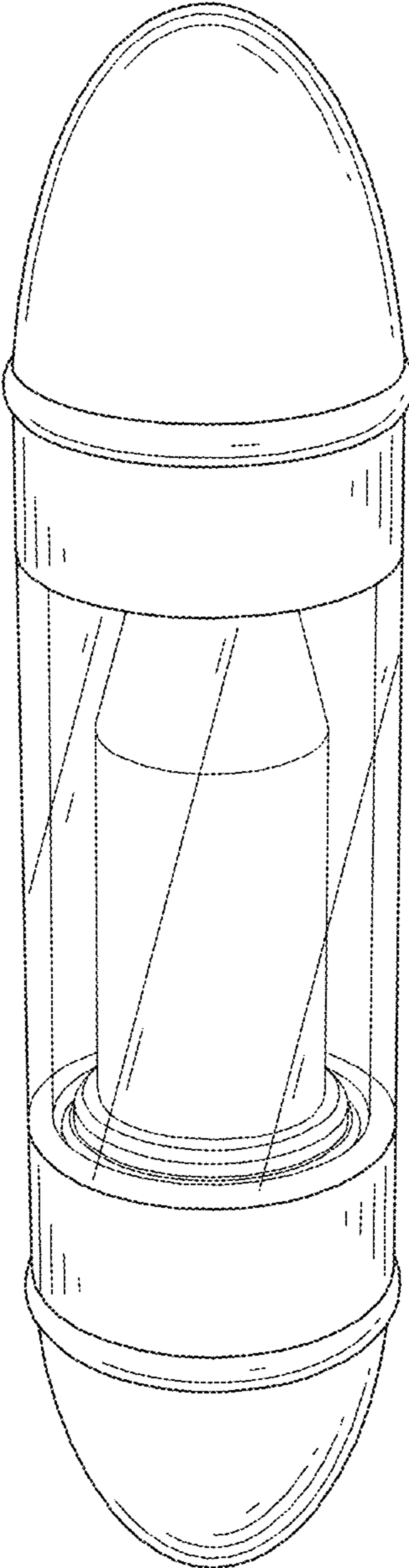


FIG. 1

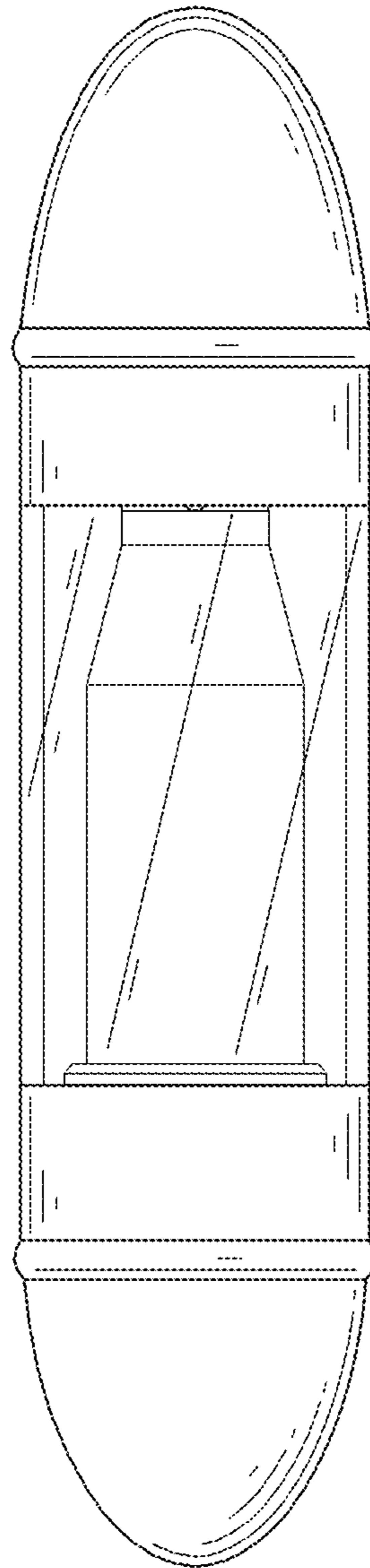


FIG. 2

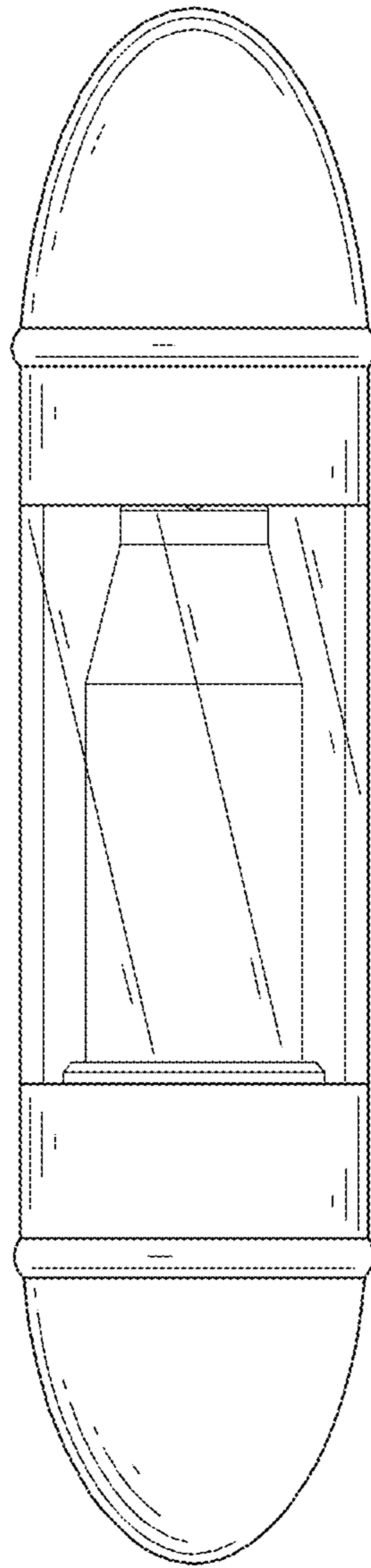


FIG. 3

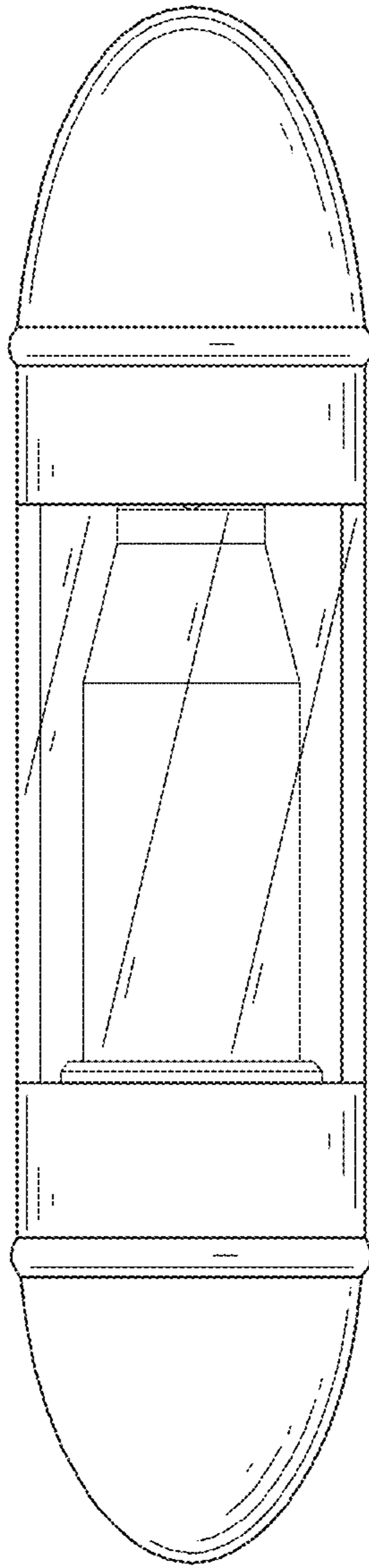


FIG. 4

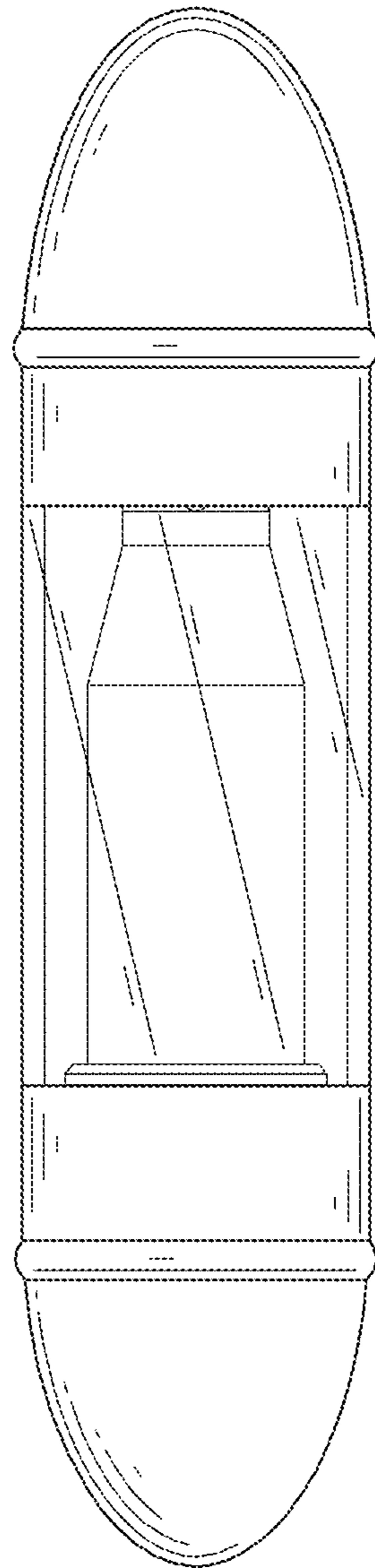


FIG. 5

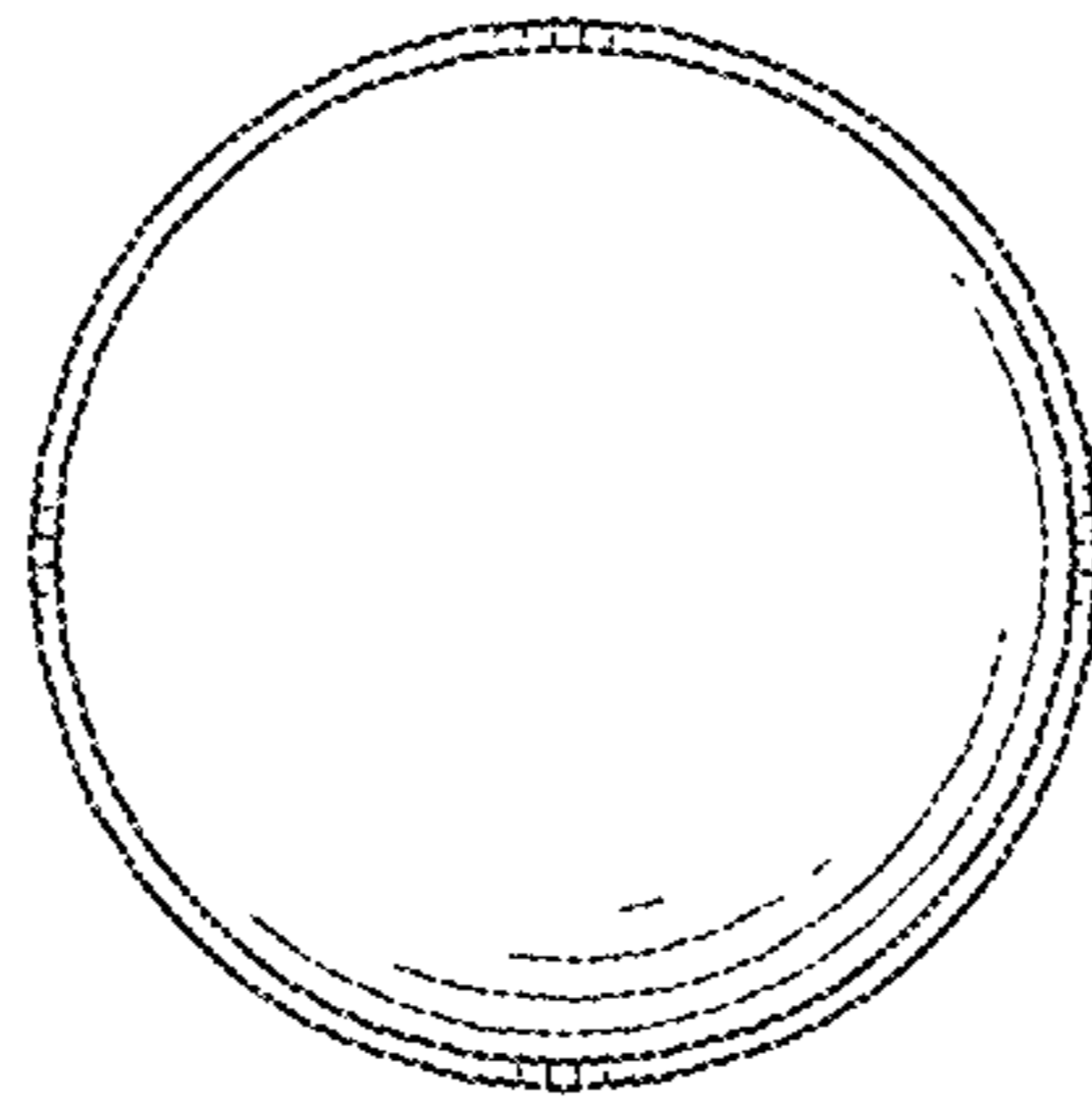


FIG. 6

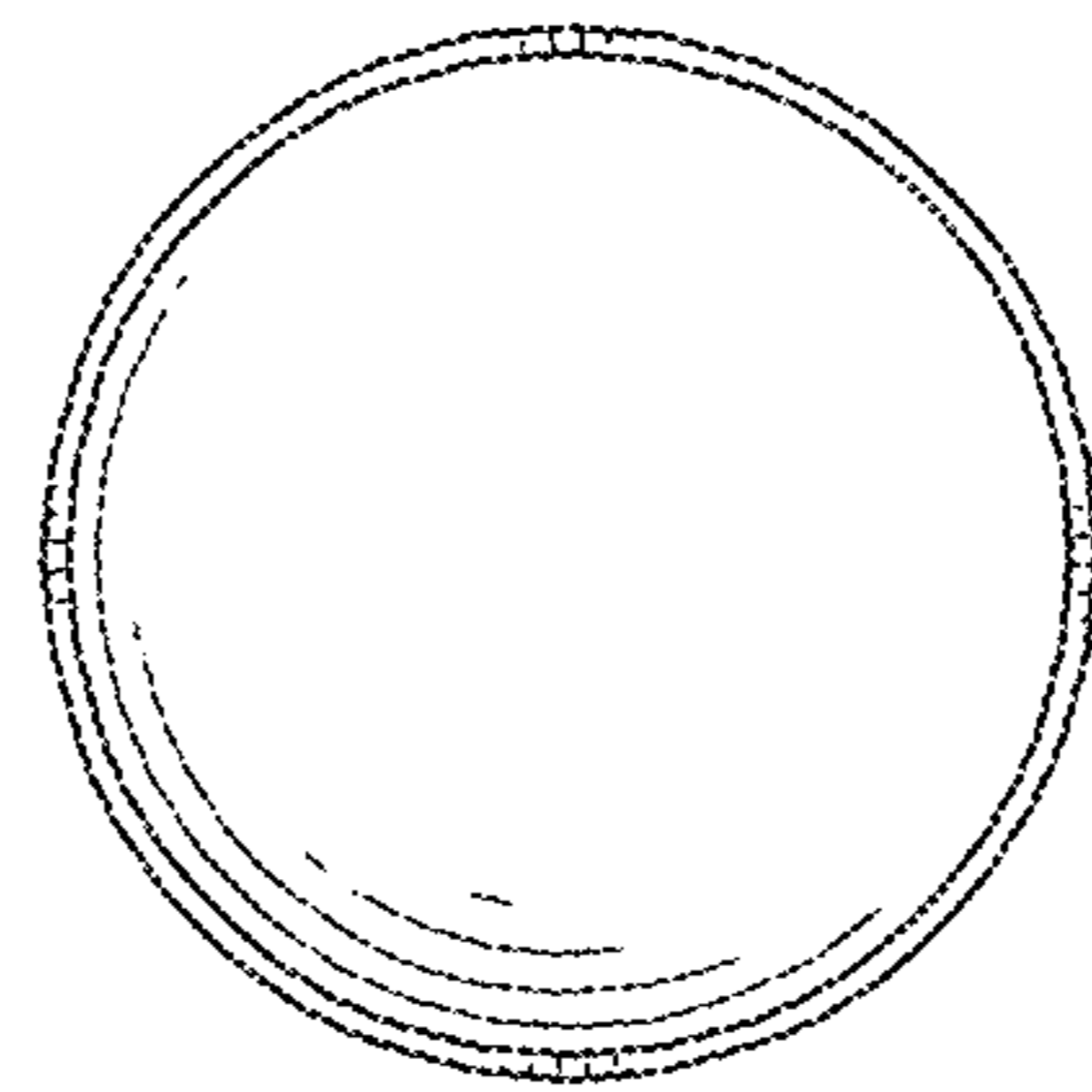


FIG. 7

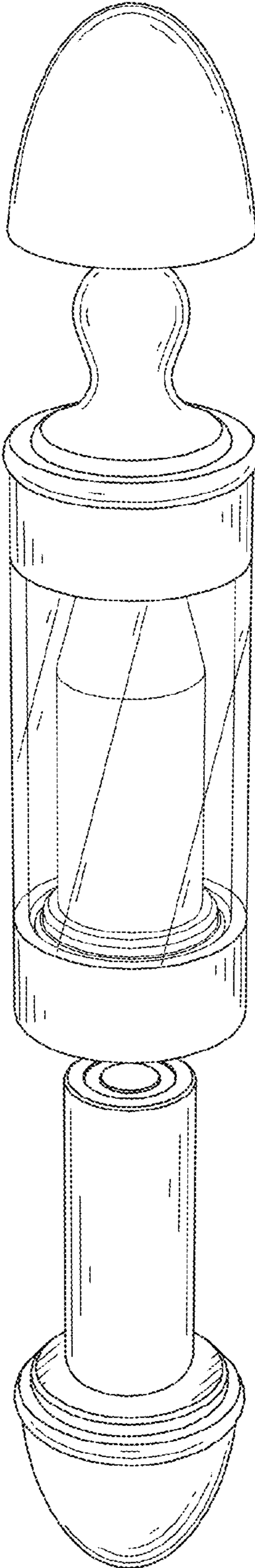


FIG. 8