

US00D724777S

(12) **United States Design Patent**  
**Curran-Blaney et al.**

(10) **Patent No.:** **US D724,777 S**  
(45) **Date of Patent:** **\*\* Mar. 17, 2015**

(54) **LIGHT PIPE**

(71) Applicant: **BlackBerry Limited**, Waterloo (CA)

(72) Inventors: **Caitlin Curran-Blaney**, Toronto (CA);  
**Hung Thai Nguyen**, Waterloo (CA)

(73) Assignee: **BlackBerry Limited**, Waterloo, Ontario  
(CA)

(\*\*) Term: **14 Years**

(21) Appl. No.: **29/461,078**

(22) Filed: **Jul. 18, 2013**

(51) **LOC (10) Cl.** ..... **26-99**

(52) **U.S. Cl.**  
USPC ..... **D26/118**

(58) **Field of Classification Search**

CPC ..... F21V 23/0442; F21V 3/02; F21V 17/02;  
F21V 7/12; F21V 19/00; F21W 2131/30  
USPC ..... D26/2, 24, 26, 51, 67, 72-74, 88, 89,  
D26/113, 118, 122-124; 362/145, 147, 153,  
362/188, 216, 362, 364, 365, 368, 373, 551,  
362/640-645, 652, 653, 659; D23/366,  
D23/367, 369

See application file for complete search history.

(56) **References Cited**

**U.S. PATENT DOCUMENTS**

D109,740 S \* 5/1938 Stewart ..... D26/137  
D190,387 S \* 5/1961 Wince ..... D26/89

D477,104 S \* 7/2003 Wang ..... D26/72  
6,805,455 B2 \* 10/2004 Nielsen et al. .... 362/488  
D629,146 S \* 12/2010 van den Akker ..... D26/89  
D641,098 S \* 7/2011 Wildner ..... D26/89  
D646,417 S \* 10/2011 Wauters ..... D26/63  
D656,654 S \* 3/2012 Wauters ..... D26/89  
D663,886 S \* 7/2012 Alvarez et al. .... D26/118  
D667,162 S \* 9/2012 Choi et al. .... D26/89  
D684,718 S \* 6/2013 Ko ..... D26/72  
D690,137 S \* 9/2013 Kikkert et al. .... D6/672  
D713,595 S \* 9/2014 Lechtenberg et al. .... D26/118

\* cited by examiner

*Primary Examiner* — Garth Rademaker

*Assistant Examiner* — Llorellys Martinez-Rivera

(57) **CLAIM**

The ornamental design for a light pipe, as shown and described.

**DESCRIPTION**

FIG. 1 is a front perspective view of a light pipe showing our new design;

FIG. 2 is a rear perspective view thereof;

FIG. 3 is a front elevation view thereof;

FIG. 4 is a rear elevation view thereof;

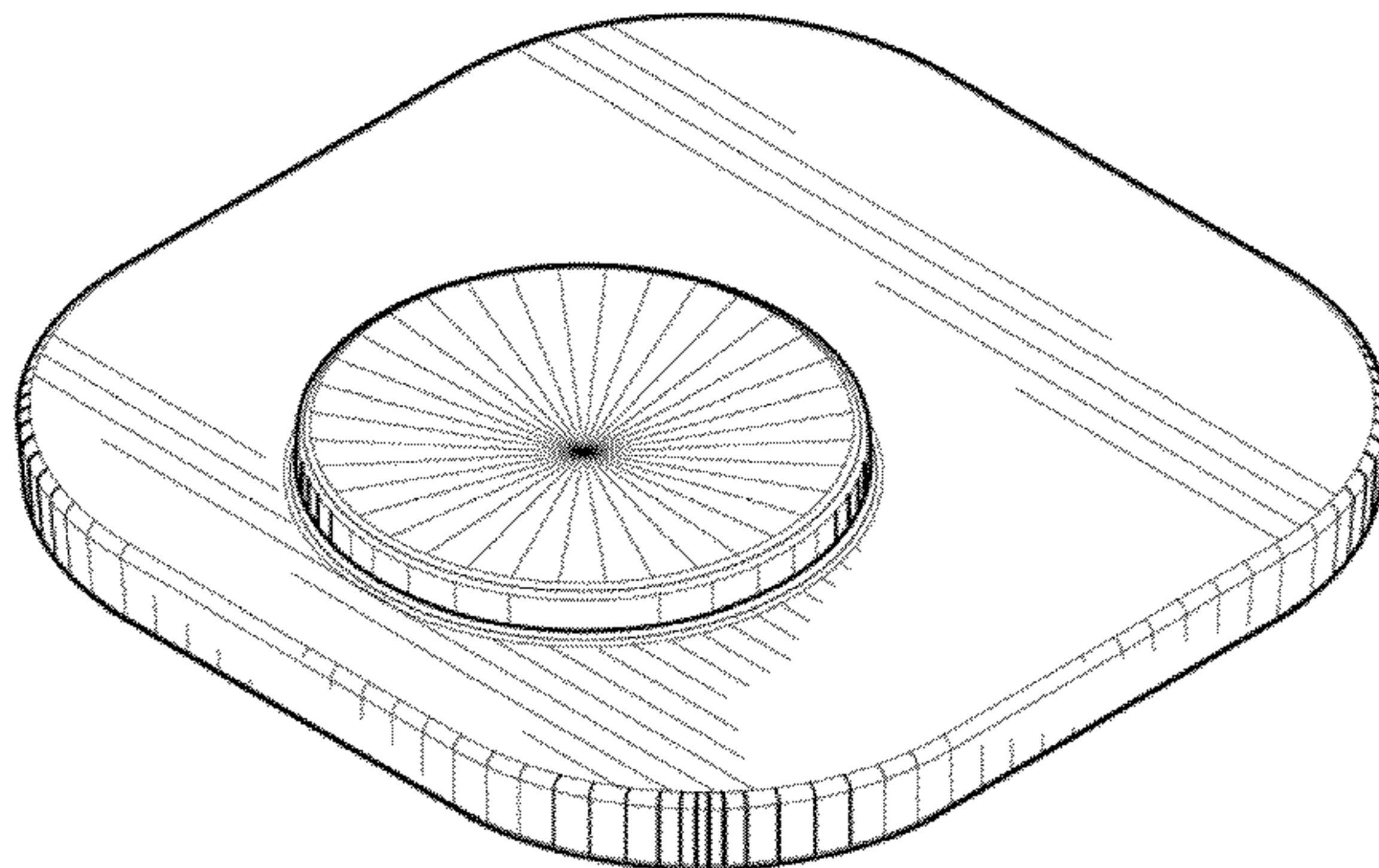
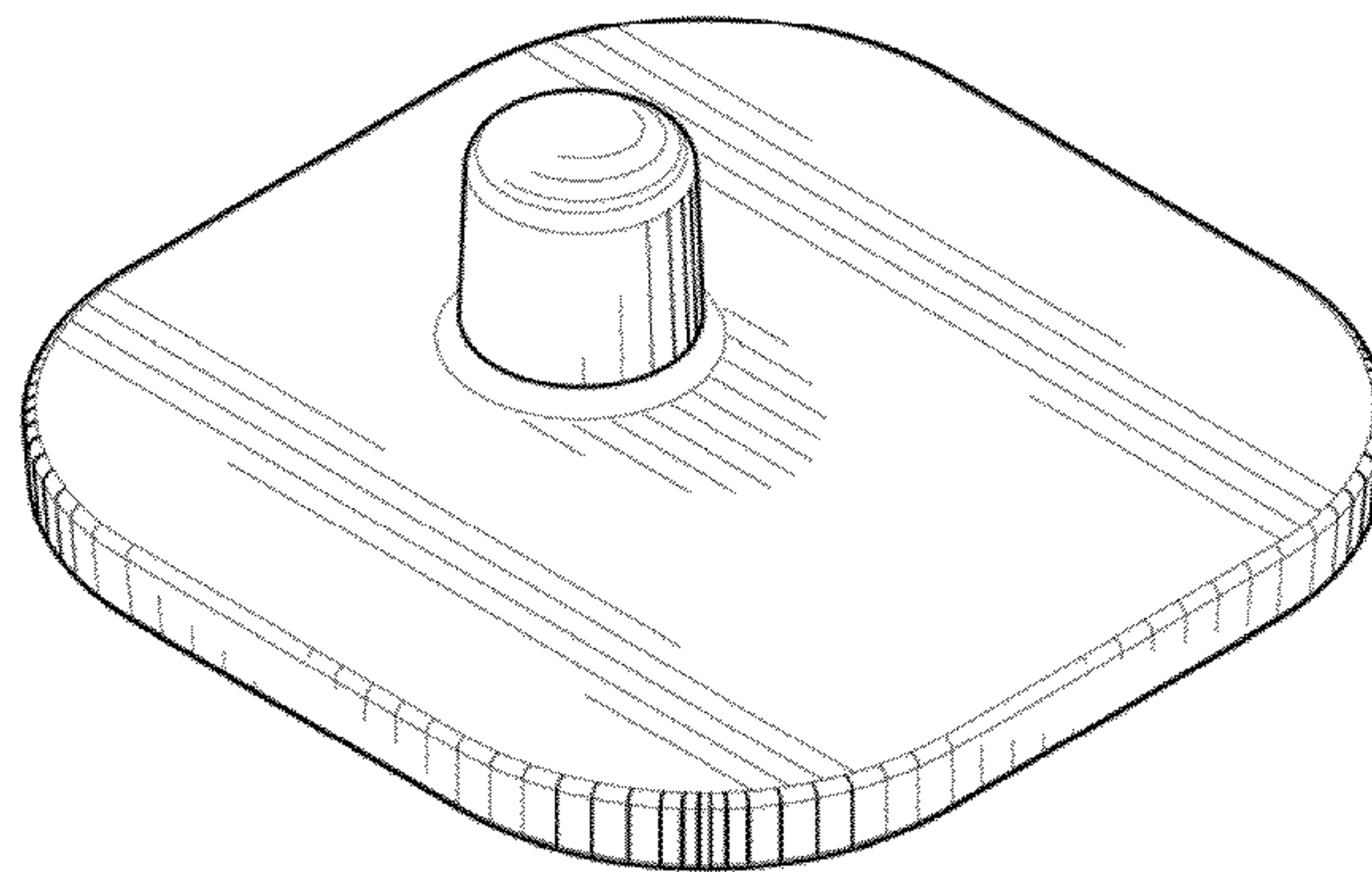
FIG. 5 is a first side elevation view thereof;

FIG. 6 is a second side elevation view thereof;

FIG. 7 is a third side elevation view thereof; and,

FIG. 8 is a fourth side view thereof.

**1 Claim, 4 Drawing Sheets**



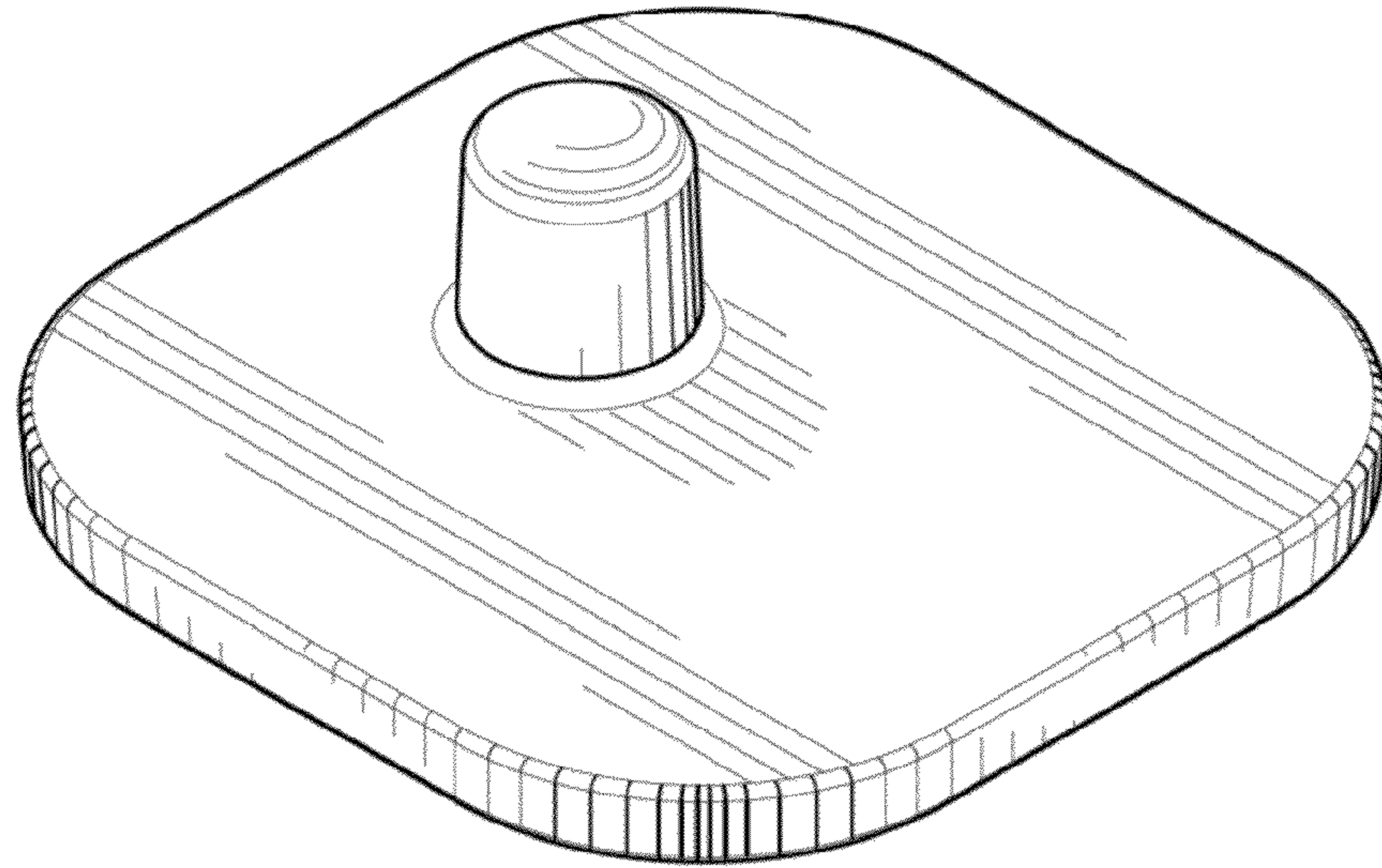


FIG. 1

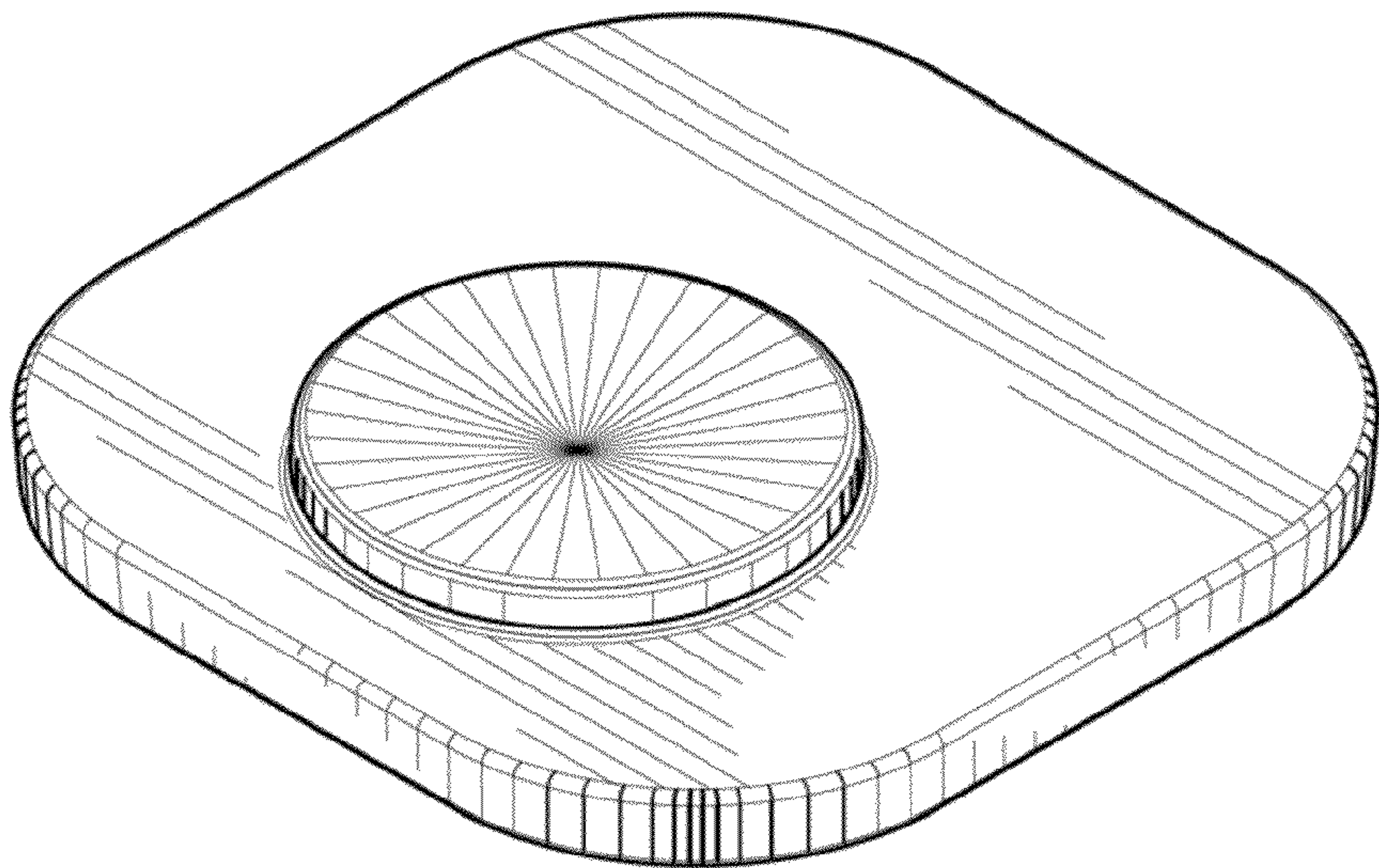


FIG. 2



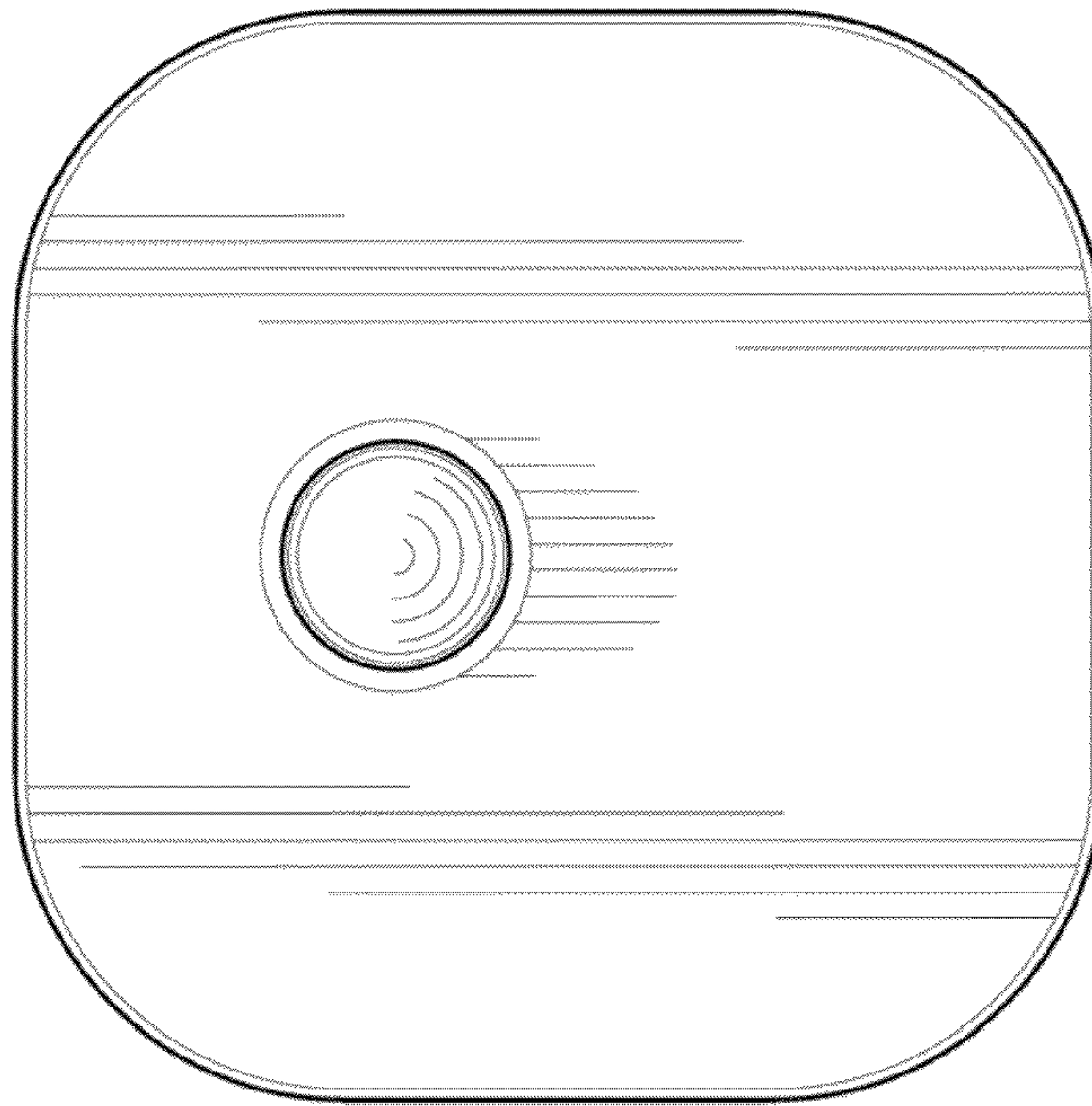


FIG.3

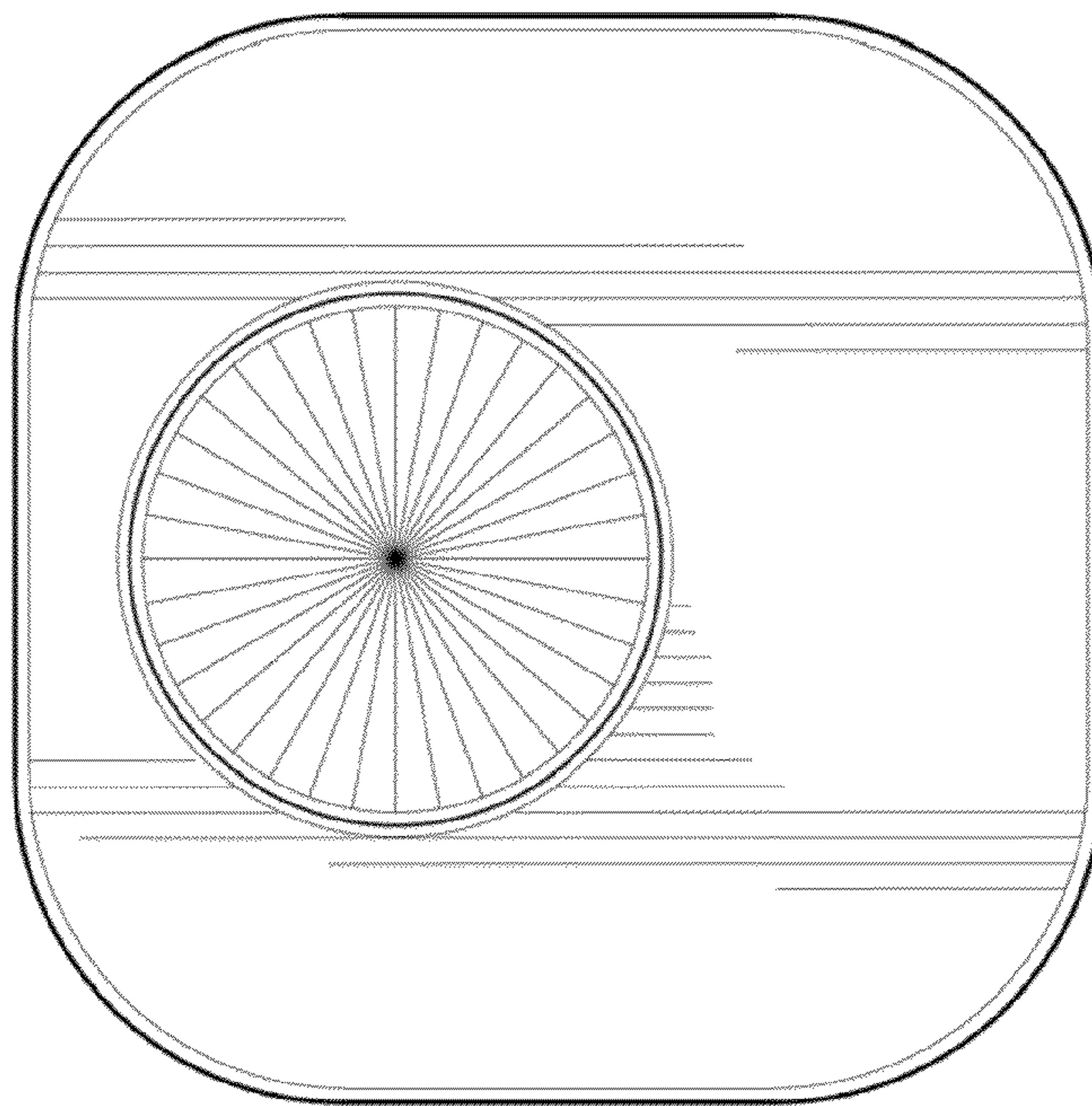


FIG.4

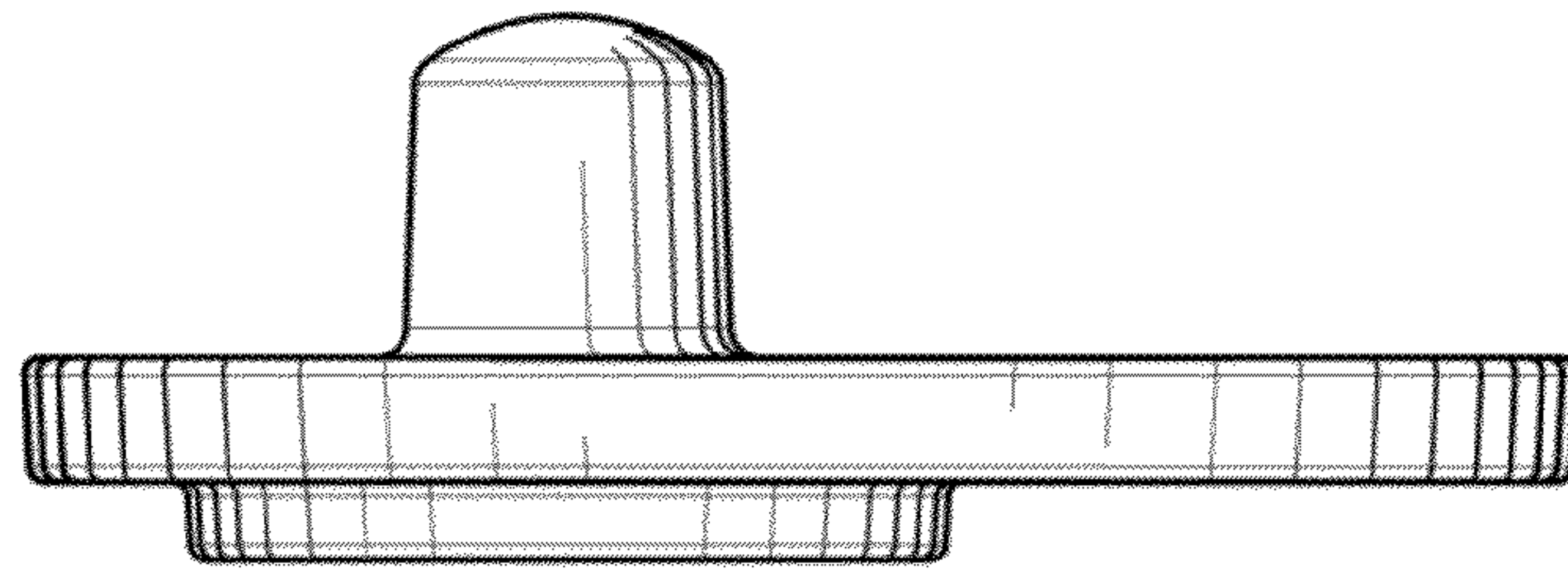


FIG. 5

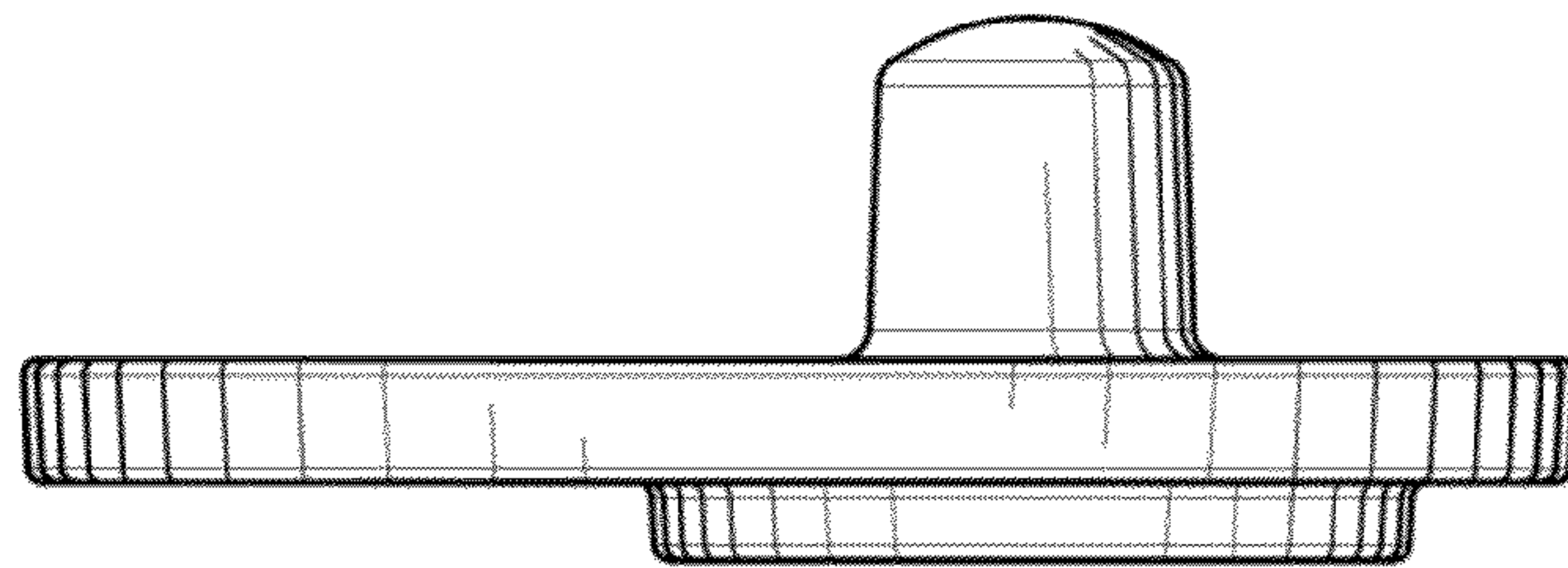


FIG. 6

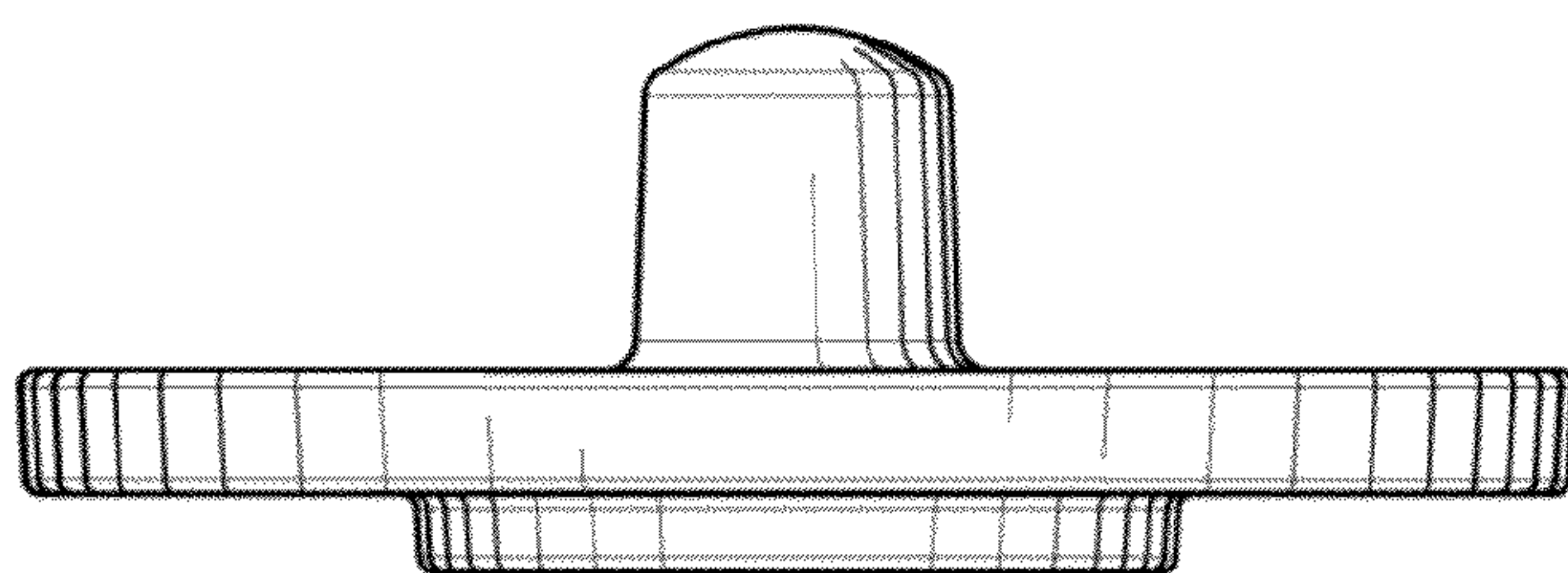


FIG. 7

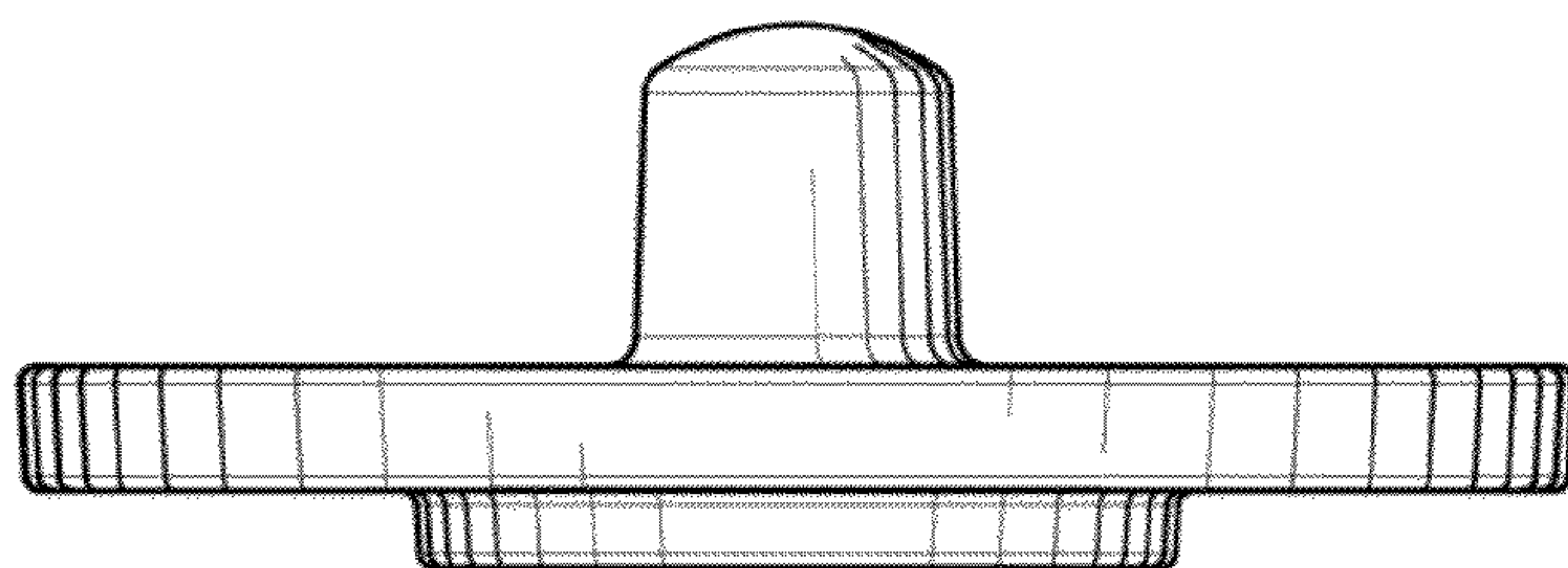


FIG. 8