



US00D724775S

(12) **United States Design Patent**  
**van Dijk**

(10) **Patent No.:** **US D724,775 S**  
(45) **Date of Patent:** **\*\* Mar. 17, 2015**

(54) **LIGHT FIXTURE**

(71) Applicant: **In-lite Design B.V.**, Langerak (NL)

(72) Inventor: **Jürgen van Dijk**, Langerak (NL)

(73) Assignee: **In-Lite Design B.V.**, Langerak ZH (NL)

(\*\*) Term: **14 Years**

(21) Appl. No.: **29/467,505**

(22) Filed: **Sep. 19, 2013**

(51) **LOC (10) Cl.** ..... **26-05**

(52) **U.S. Cl.**  
USPC ..... **D26/74**

(58) **Field of Classification Search**

CPC ..... F21V 29/2262; F21V 7/06; F21V 21/044;  
F21V 21/047; F21V 29/2212; F21V 29/2225;  
F21V 29/2256; F21V 29/225; F21V 29/2268;  
F21S 8/02; F21S 8/026; F21Y 2111/002  
USPC ..... D26/74, 72, 75, 76, 77, 78, 85, 88, 89,  
D26/118, 138, 141; 362/364, 365, 373, 145,  
362/146, 147, 148, 150, 153, 153.1, 294,  
362/296.01, 296.07, 296.08

See application file for complete search history.

(56) **References Cited**

**U.S. PATENT DOCUMENTS**

D401,370 S \* 11/1998 Fiorato ..... D26/67  
D488,251 S \* 4/2004 Benghozi ..... D26/118

D561,374 S \* 2/2008 Hartmann et al. .... D26/74  
D609,840 S \* 2/2010 Tang ..... D26/74  
D622,434 S \* 8/2010 Ward et al. .... D26/74  
D625,876 S \* 10/2010 Chen et al. .... D26/74  
D639,993 S \* 6/2011 Mier-Langner et al. .... D26/74  
D643,562 S \* 8/2011 Mier-Langner et al. .... D26/74  
D655,850 S \* 3/2012 Sabernig ..... D26/85  
D658,327 S \* 4/2012 Meise et al. .... D26/74  
D668,372 S \* 10/2012 Renshaw et al. .... D26/74  
D671,668 S \* 11/2012 Rowlette et al. .... D26/74  
2014/0268823 A1 \* 9/2014 Mandy et al. .... 362/364

\* cited by examiner

*Primary Examiner* — Angela J Lee

(74) *Attorney, Agent, or Firm* — Fross Zelnick Lehrman & Zissu, P.C.; Charles T. J. Weigell, Esq.

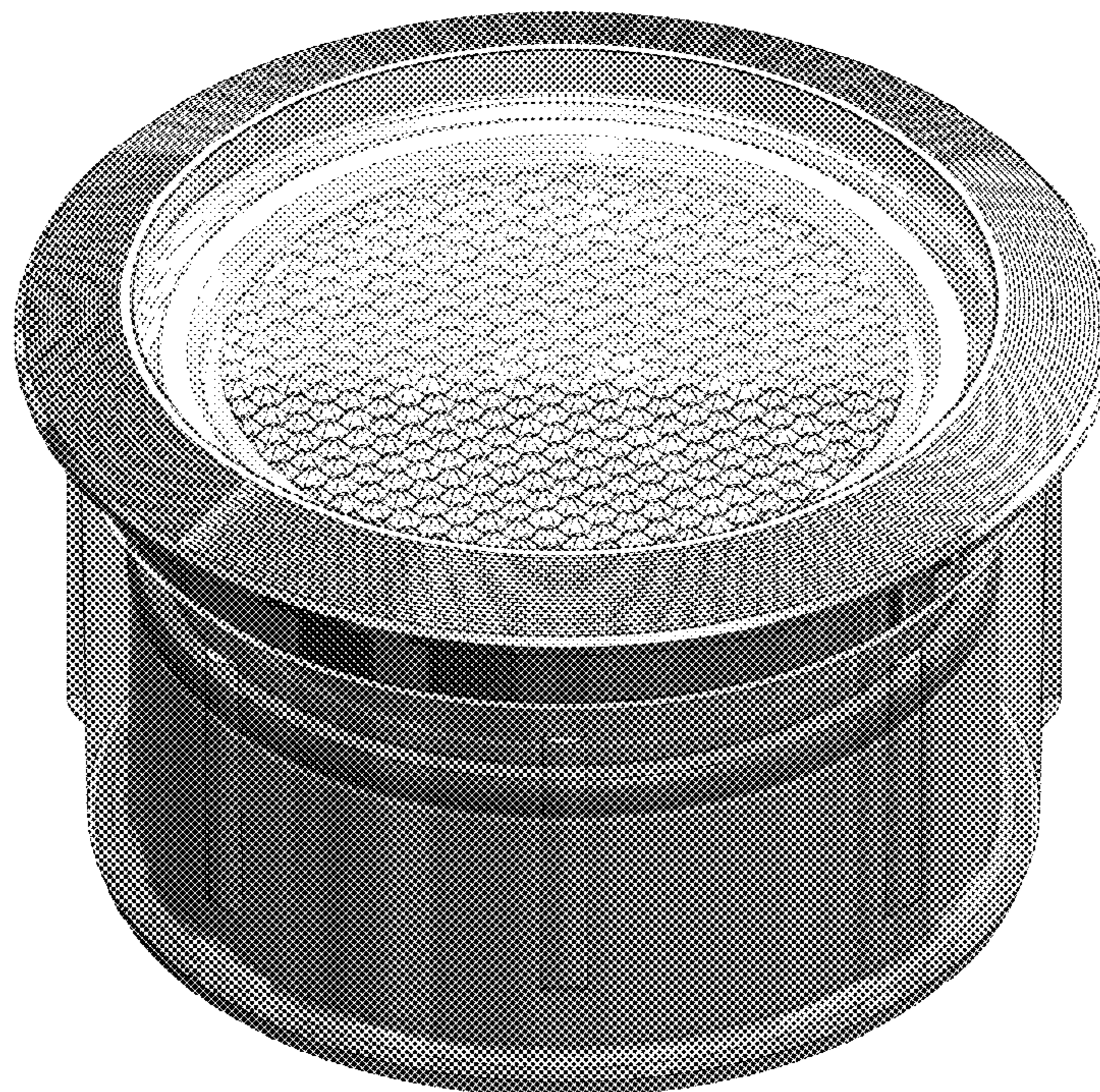
(57) **CLAIM**

The ornamental design for a light fixture, as shown and described.

**DESCRIPTION**

FIG. 1 is a perspective view of a light fixture showing my new design;  
FIG. 2 is a top view of the light fixture shown in FIG. 1;  
FIG. 3 is a front perspective view of the light fixture shown in FIG. 1, with the top portion shown removed;  
FIG. 4 is a side view of the light fixture shown in FIG. 1, with the other side view being a mirror image thereof; and,  
FIG. 5 is a bottom view of the light fixture shown in FIG. 1.

**1 Claim, 5 Drawing Sheets**



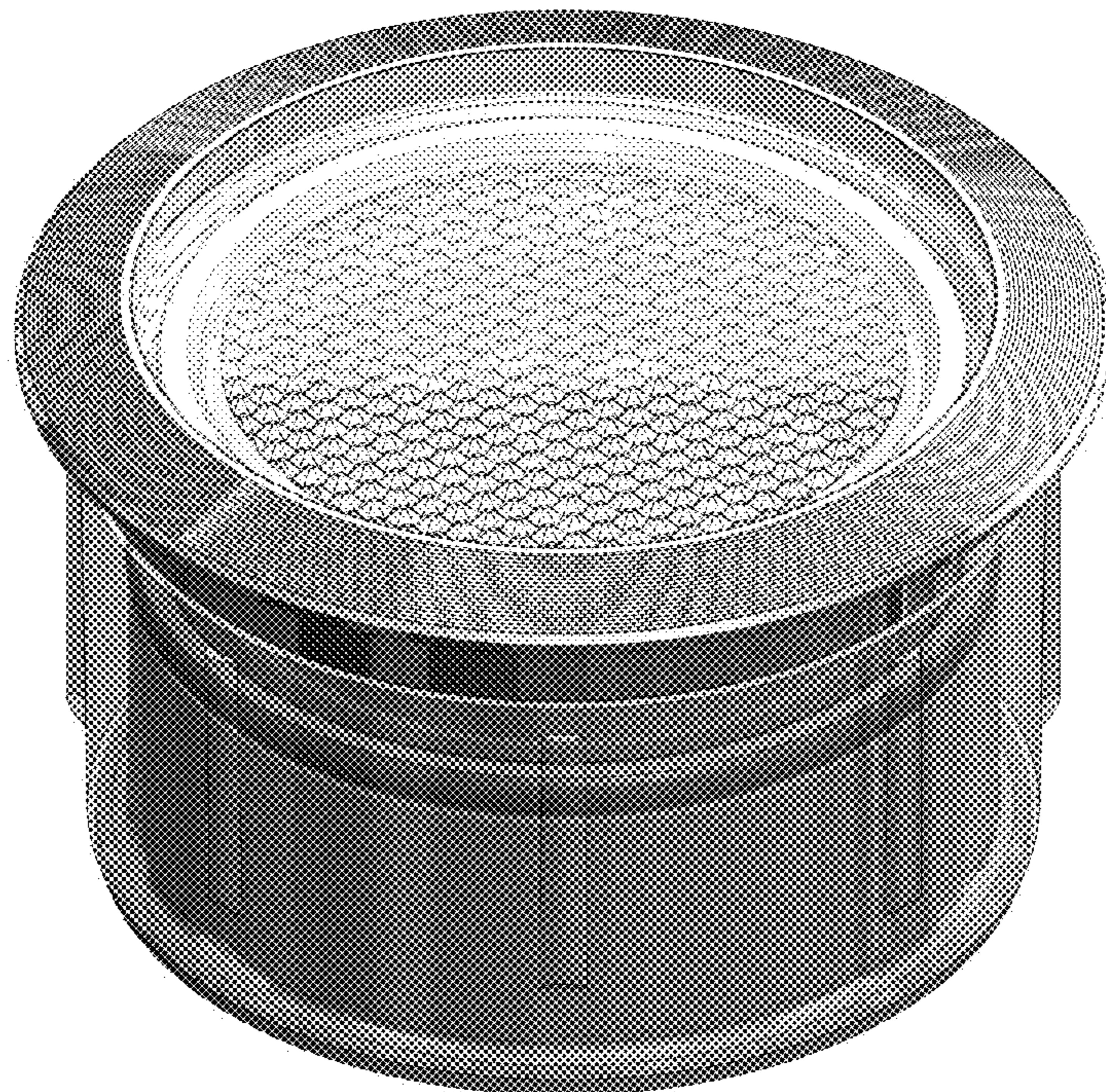


FIG. 1



FIG. 2

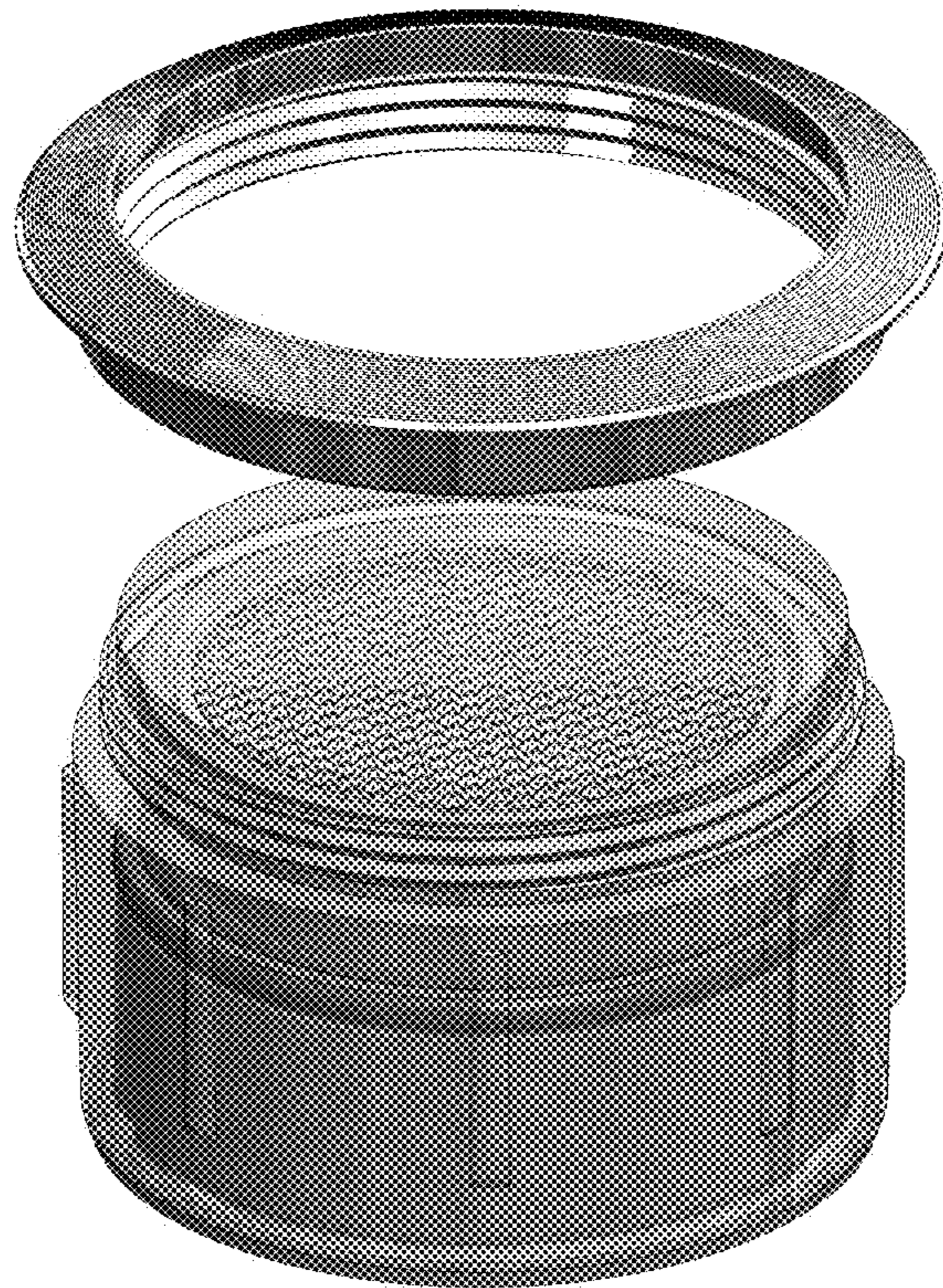


FIG. 3

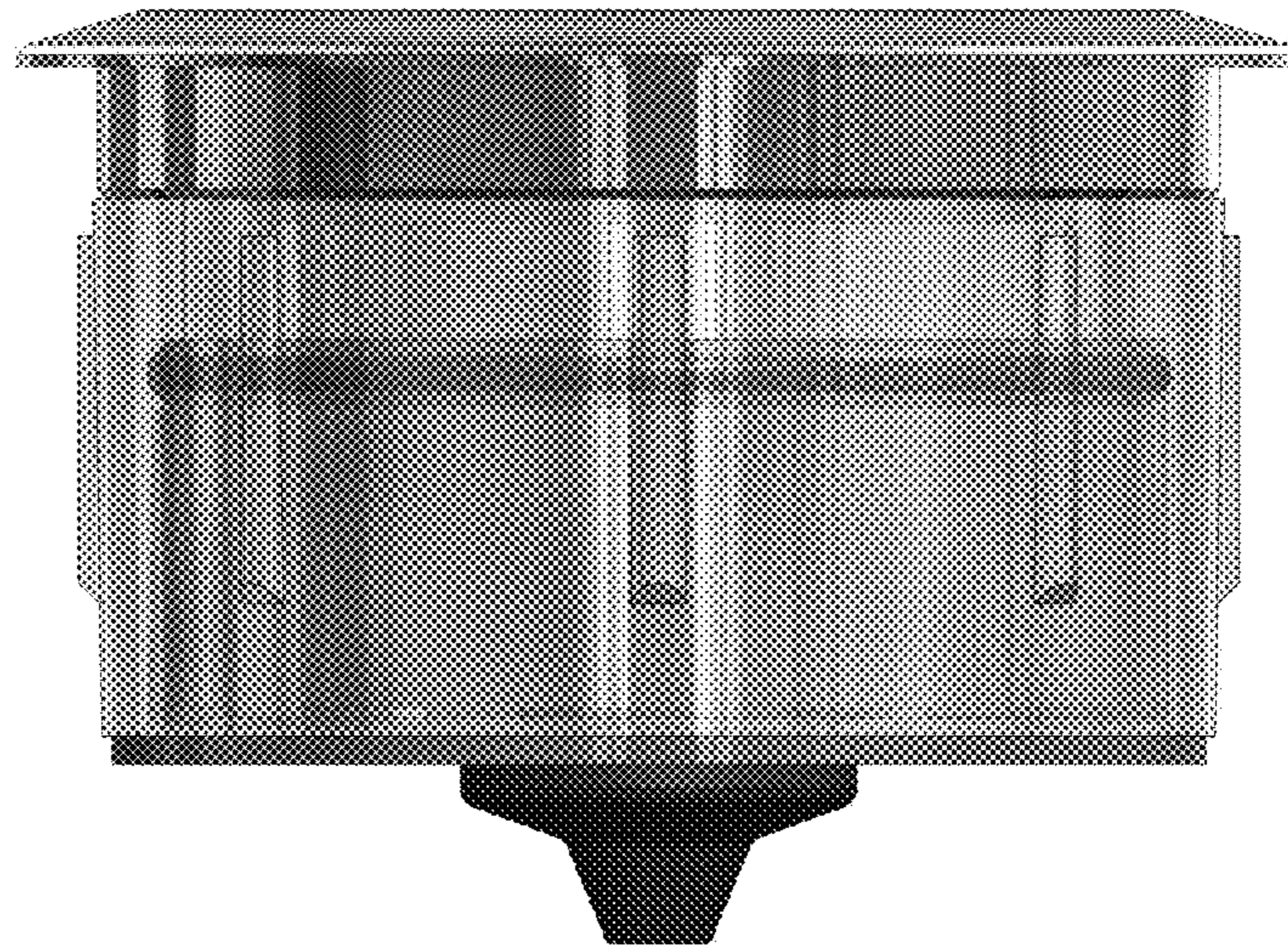


FIG. 4

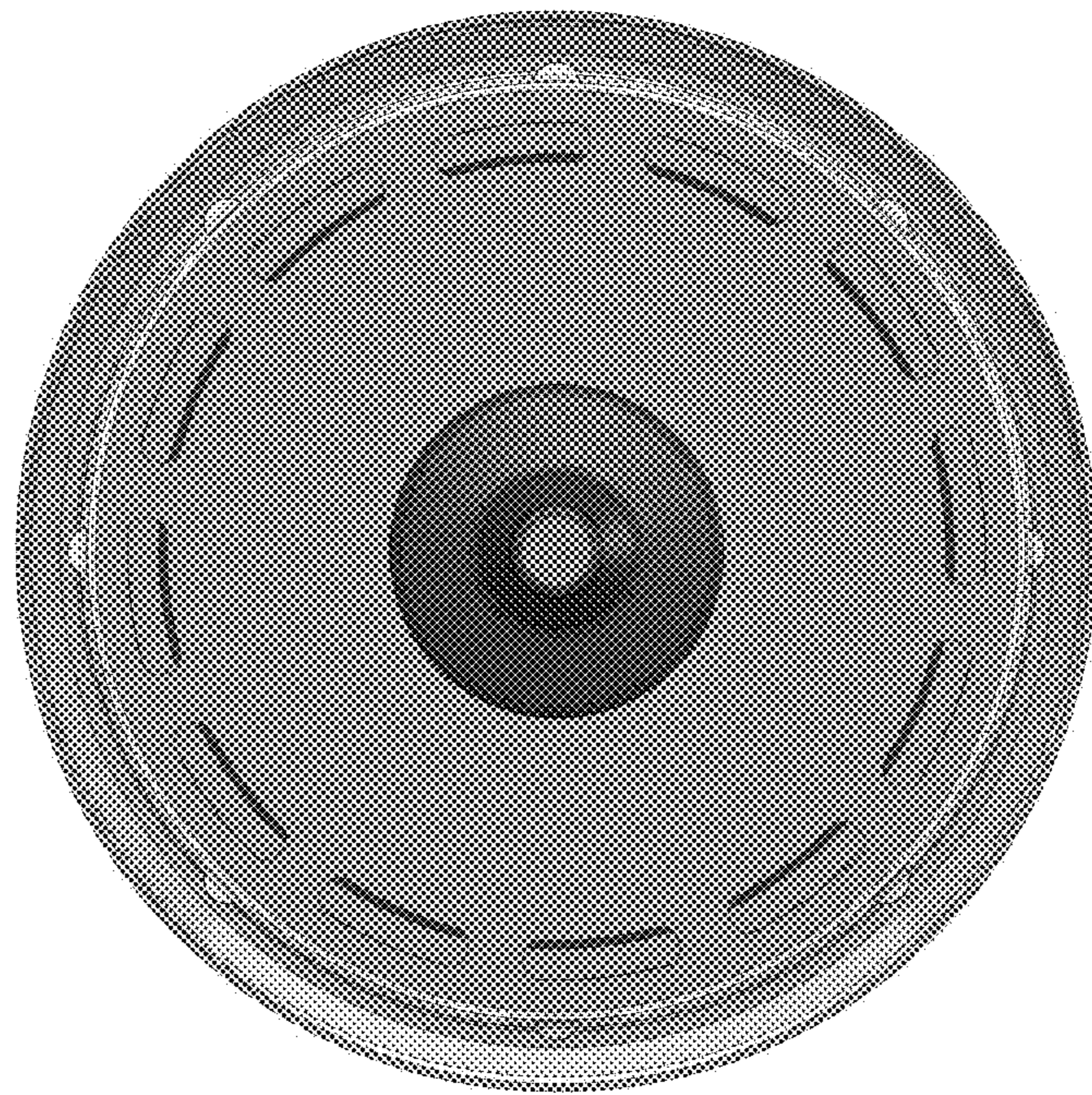


FIG. 5