



US00D724773S

(12) **United States Design Patent**  
**Ryu et al.**

(10) **Patent No.:** **US D724,773 S**  
(45) **Date of Patent:** **\*\* Mar. 17, 2015**

(54) **LAMP**

362/287, 288, 410-414, 418, 800, 806, 427,  
362/449, 430, 227, 232, 249.02-249.04,  
362/249.07, 249.1, 249.11, 236, 240

(71) Applicants: **Seung Cheol Ryu**, Middlebury, CT  
(US); **Jeremy Spaulding**, Marblehead,  
MA (US); **Charles Brunault**, South  
Hamilton, MA (US); **Ernest Davey, Jr.**,  
Salem, NH (US); **Jeffrey Holt**, Concord,  
NH (US); **Karlin Jessen**, Reading, MA  
(US)

See application file for complete search history.

(56) **References Cited**

U.S. PATENT DOCUMENTS

D640,404 S *	6/2011	Chipperfield .....	D26/63
D645,183 S *	9/2011	Cucinella .....	D26/63
D645,594 S *	9/2011	Grawe .....	D26/63
D698,473 S *	1/2014	Korpi .....	D26/63

\* cited by examiner

*Primary Examiner* — Brian N Vinson

(74) *Attorney, Agent, or Firm* — Andrew Martin

(72) Inventors: **Seung Cheol Ryu**, Middlebury, CT  
(US); **Jeremy Spaulding**, Marblehead,  
MA (US); **Charles Brunault**, South  
Hamilton, MA (US); **Ernest Davey, Jr.**,  
Salem, NH (US); **Jeffrey Holt**, Concord,  
NH (US); **Karlin Jessen**, Reading, MA  
(US)

(73) Assignee: **Osram Sylvania Inc.**, Danvers, MA  
(US)

(57) **CLAIM**

The ornamental design for a lamp, as shown and described.

(\*\*) Term: **14 Years**

**DESCRIPTION**

(21) Appl. No.: **29/440,426**

FIG. 1 is a perspective view of the new design for a lamp as  
seen from the front, top;  
FIG. 2 is a rear perspective view as seen from the rear, side  
thereof;  
FIG. 3 is a side elevational view thereof;  
FIG. 4 is a front elevational view thereof;  
FIG. 5 is a rear elevational view thereof;  
FIG. 6 is a top plan view thereof; and,  
FIG. 7 is a rear plan view thereof.

(22) Filed: **Dec. 21, 2012**

(51) **LOC (10) Cl.** ..... **26-03**

(52) **U.S. Cl.**  
USPC ..... **D26/63**

(58) **Field of Classification Search**  
USPC ..... D26/60-66, 51, 93, 94, 102, 104, 106,  
D26/28, 35; D14/336, 337, 371; 362/33, 35,  
362/145, 187, 188, 257, 267, 268, 310,  
362/311.06, 322, 372, 253, 233, 460, 477,  
362/157, 158, 190, 269, 270, 277, 282, 285,

**1 Claim, 7 Drawing Sheets**

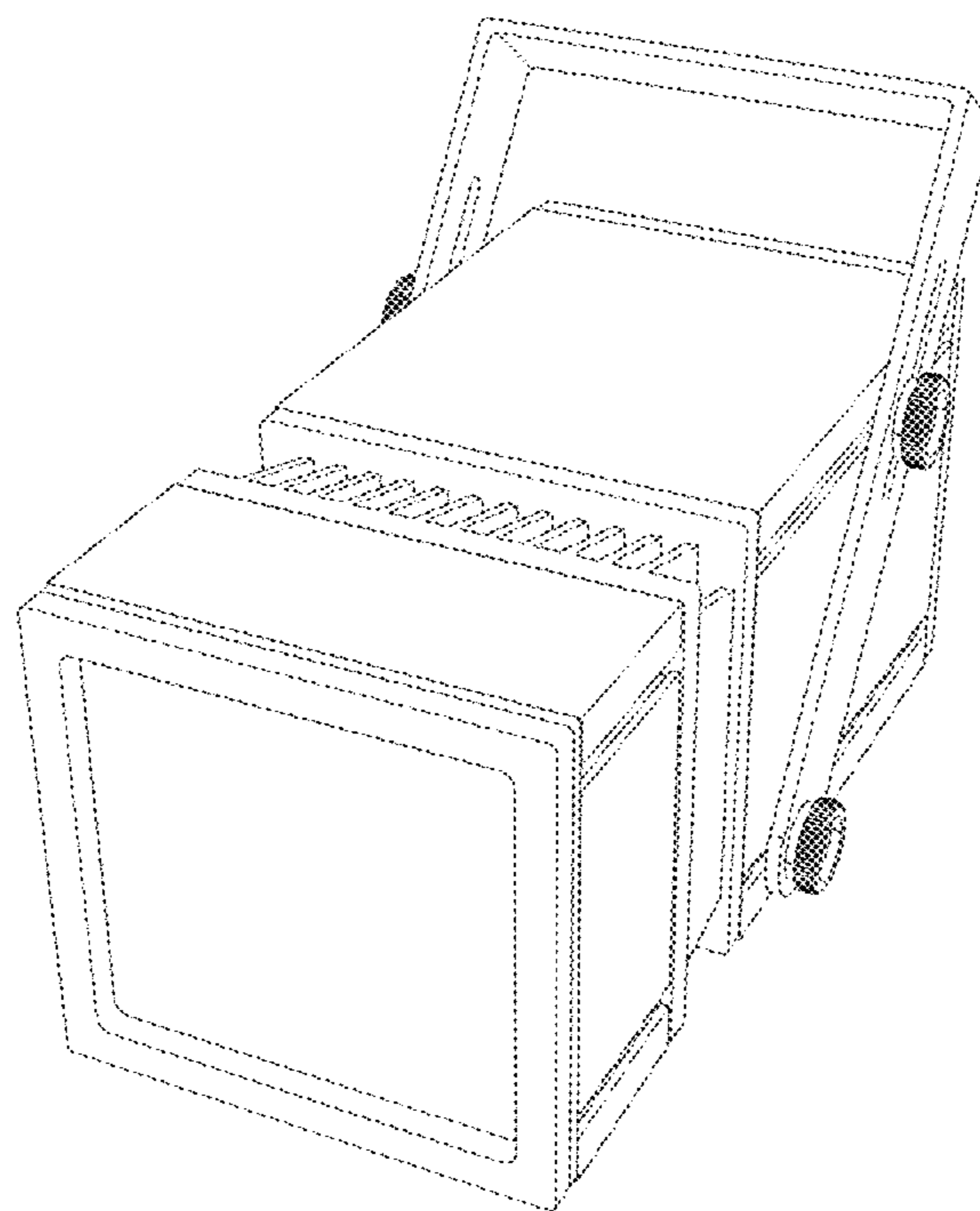


Figure 1

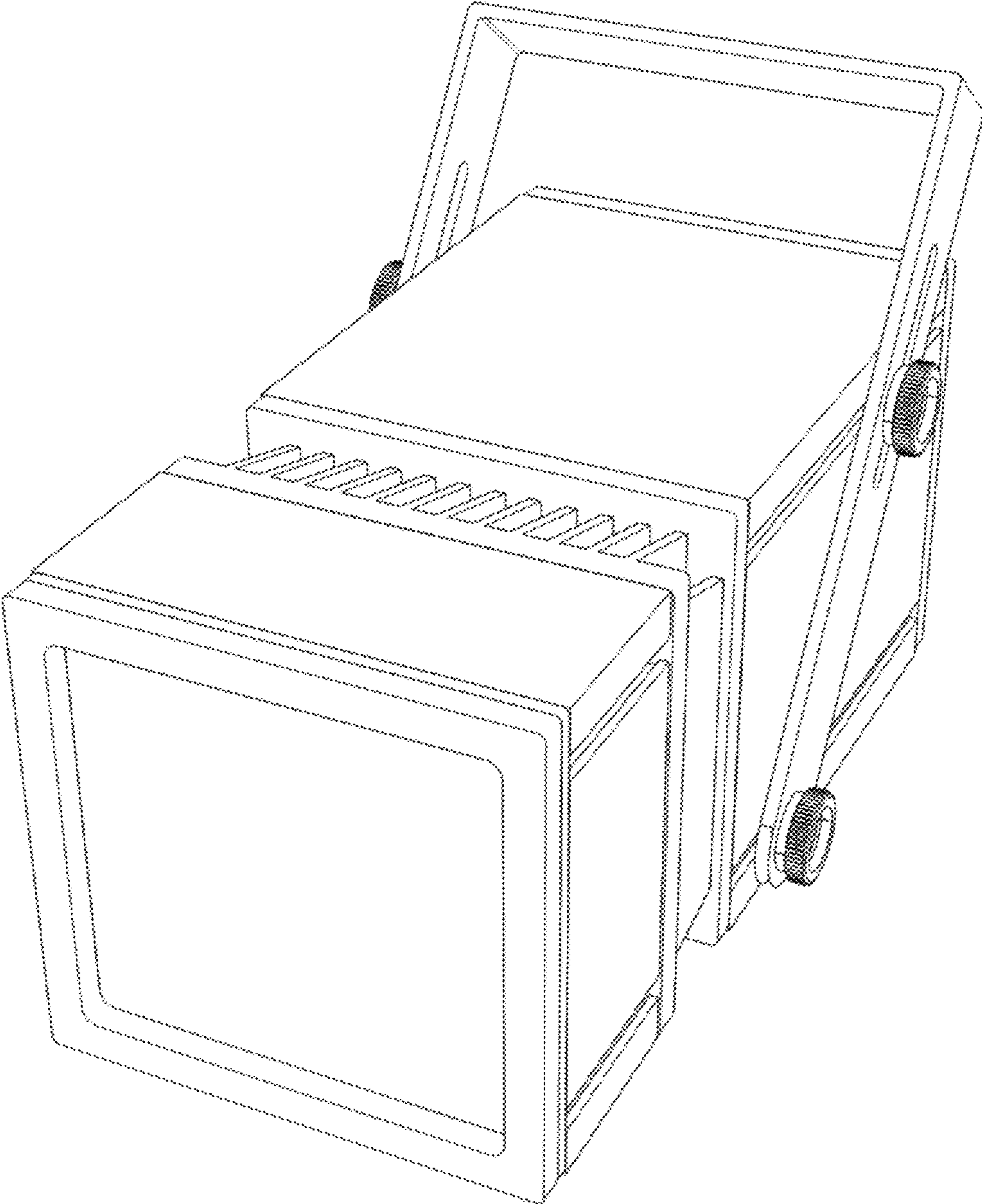


Figure 2

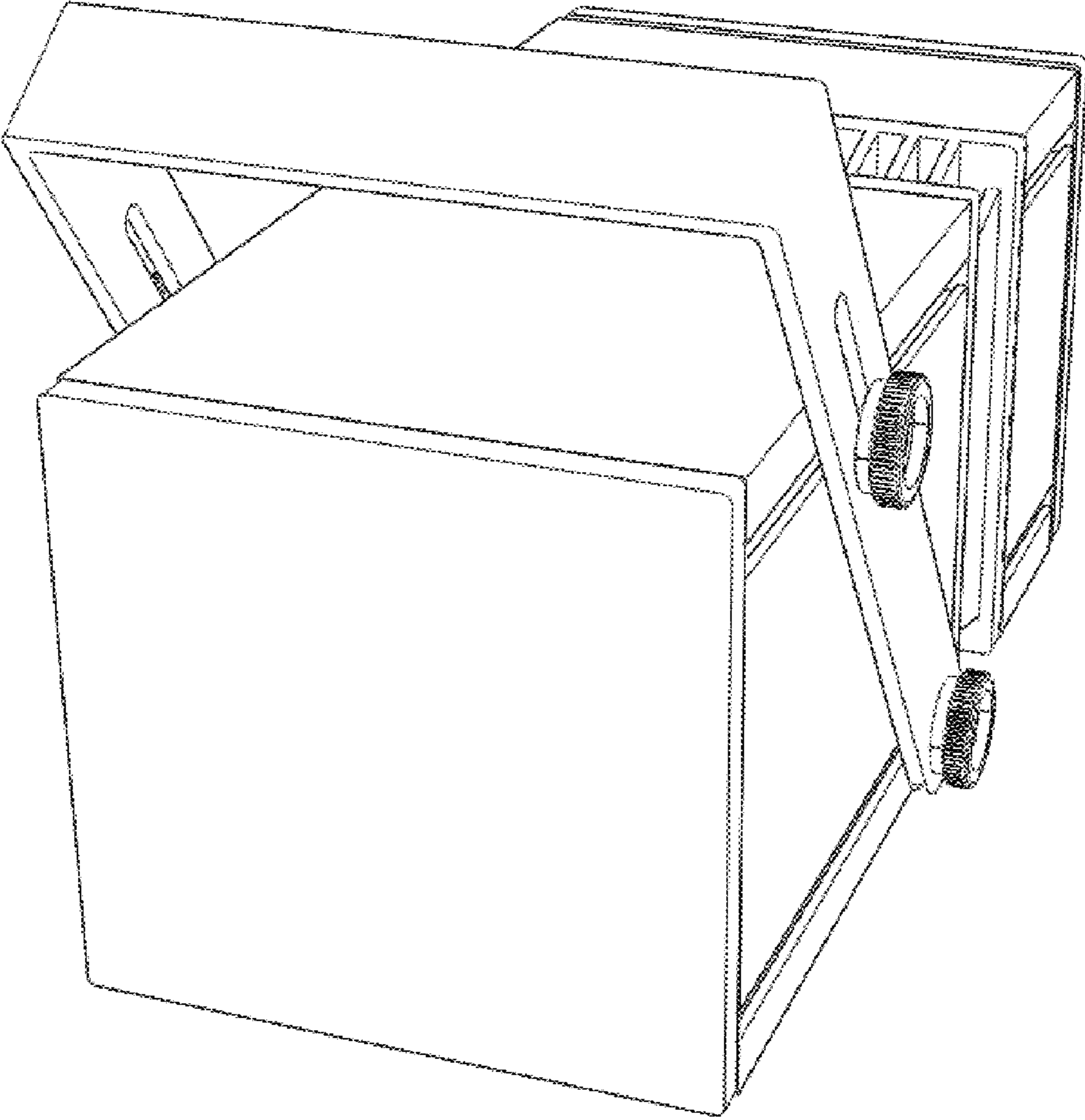


Figure 3

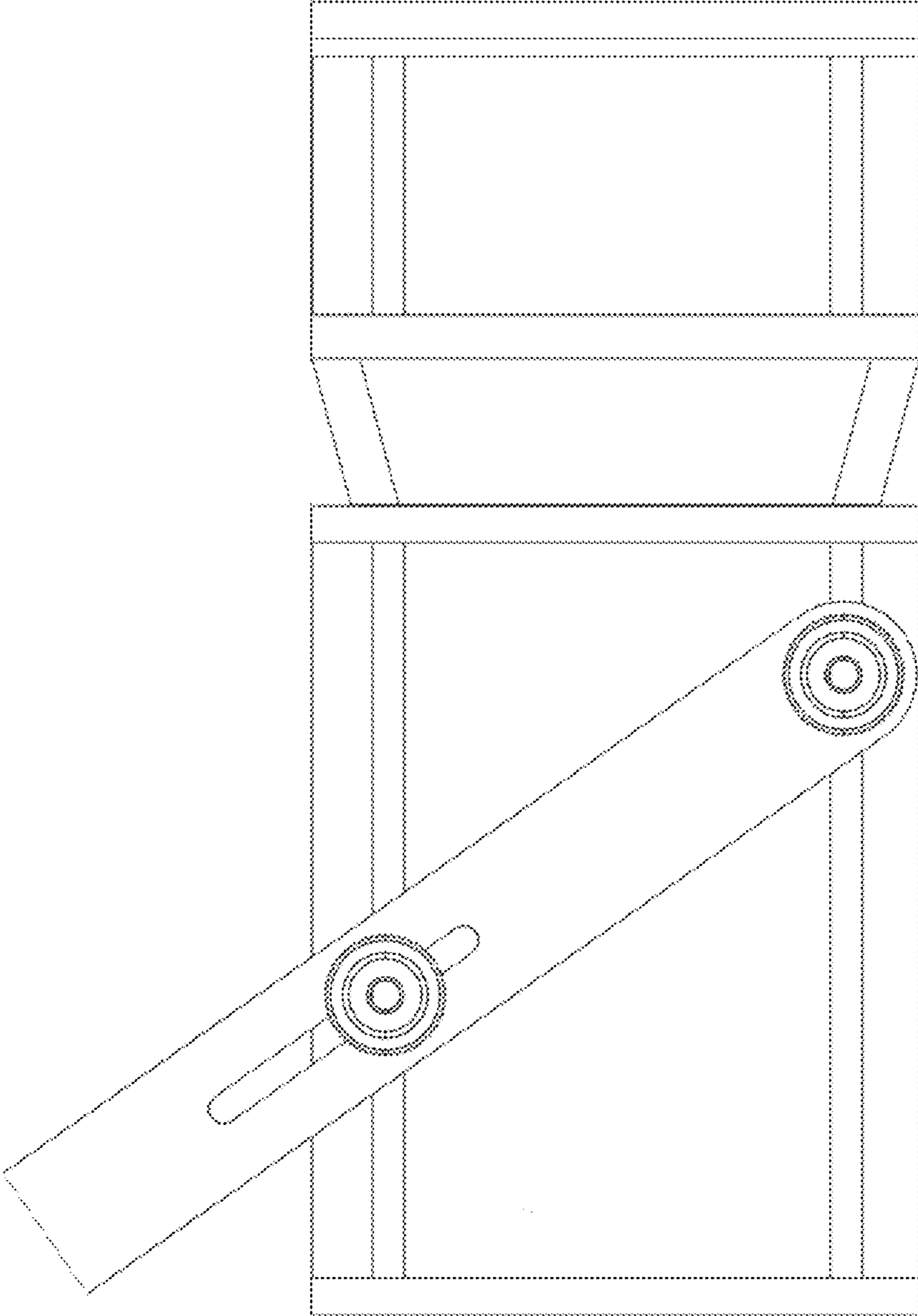


Figure 4

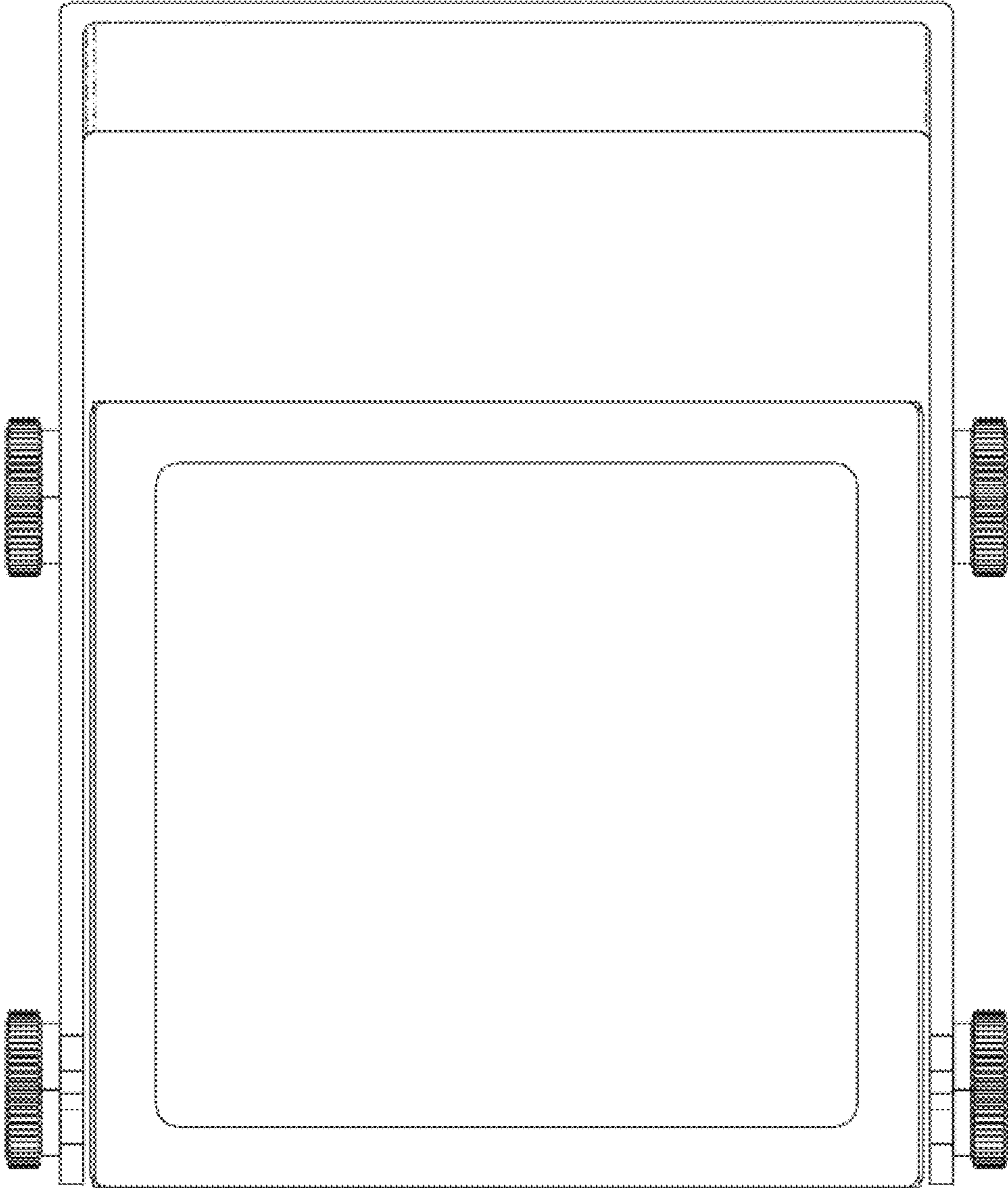


Figure 5

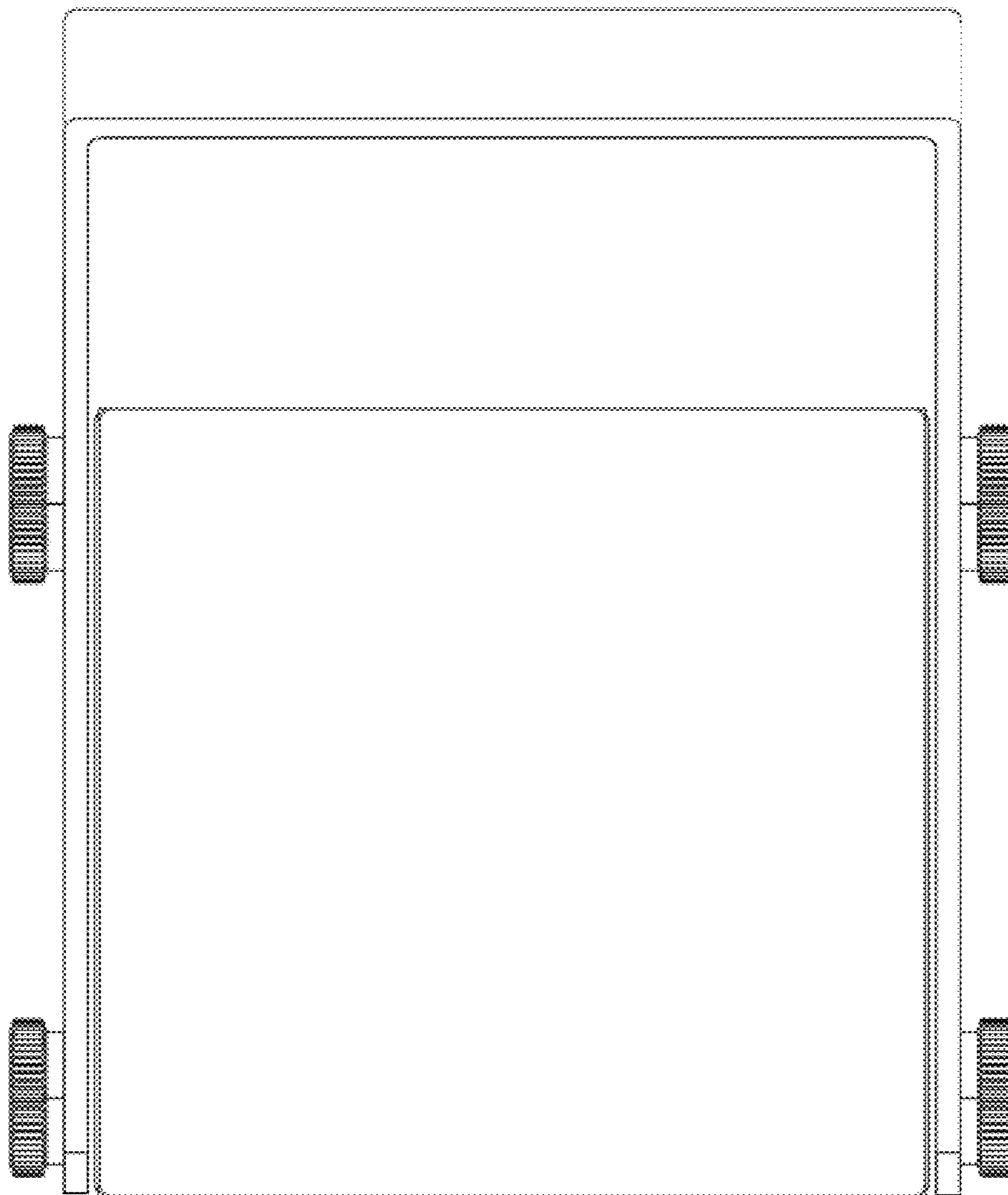


Figure 6

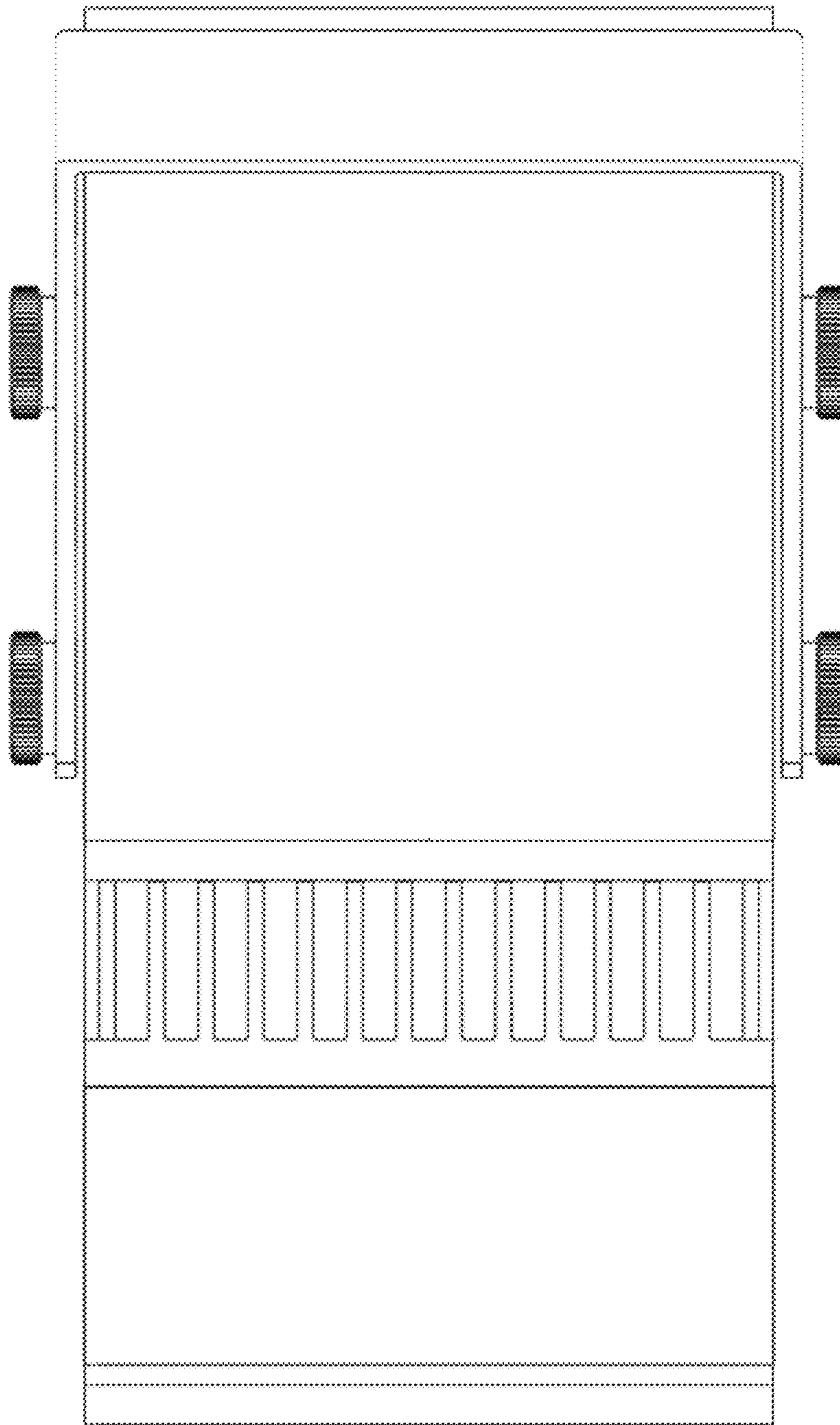


Figure 7

