



US00D724772S

(12) **United States Design Patent**
Gebhard

(10) **Patent No.:** **US D724,772 S**

(45) **Date of Patent:** **** Mar. 17, 2015**

(54) **LED LIGHT FOR USE IN A CIGARETTE LIGHTER CASE**

(71) Applicant: **Albert W. Gebhard**, Denver, CO (US)

(72) Inventor: **Albert W. Gebhard**, Denver, CO (US)

(**) Term: **14 Years**

(21) Appl. No.: **29/447,044**

(22) Filed: **Feb. 28, 2013**

(51) **LOC (10) Cl.** **26-02**

(52) **U.S. Cl.**
USPC **D26/37**

(58) **Field of Classification Search**
CPC F21L 2/00; F21L 4/00; F21L 4/005;
F21L 17/00; F21L 13/08; F21Y 2101/00;
F21V 21/30; F21V 21/406; F21W 2131/406;
F21W 2131/407
USPC D26/37, 38, 44, 46, 49, 50, 51;
362/157, 158, 183, 184, 194-196,
362/200-208, 253

See application file for complete search history.

(56) **References Cited**

U.S. PATENT DOCUMENTS

D273,049	S	*	3/1984	Lam et al.	D26/38
D274,845	S	*	7/1984	Stansbury et al.	D26/46
5,359,505	A		10/1994	Story		
5,424,929	A		6/1995	Murray		
D376,664	S	*	12/1996	Petruzzi	D26/47
D390,983	S	*	2/1998	Petruzzi	D26/38
D430,501	S	*	9/2000	Meoli, Jr.	D10/114.2
6,168,288	B1		1/2001	St. Claire		
D448,099	S	*	9/2001	Mariani	D26/37
D469,198	S	*	1/2003	Olson	D26/37
D511,769	S	*	11/2005	Hirakawa et al.	D14/223
D550,872	S	*	9/2007	Helget et al.	D26/37

D564,115	S	*	3/2008	Campman	D26/47
8,152,330	B2	*	4/2012	Waters	362/200
D711,571	S	*	8/2014	Schimmel et al.	D26/37
2007/0259297	A1	*	11/2007	Liu et al.	431/153
2013/0155660	A1		6/2013	Gebhard		

OTHER PUBLICATIONS

Zippo ZipLight Scan of website [<http://zippocollect.de/en/zippo/accessories/ziplight.html>] showing prior art flashlight distributed by Zippo.

* cited by examiner

Primary Examiner — Ian Simmons

Assistant Examiner — Carissa C Fitts

(74) *Attorney, Agent, or Firm* — Margaret Polson; Polson & Associates, PC

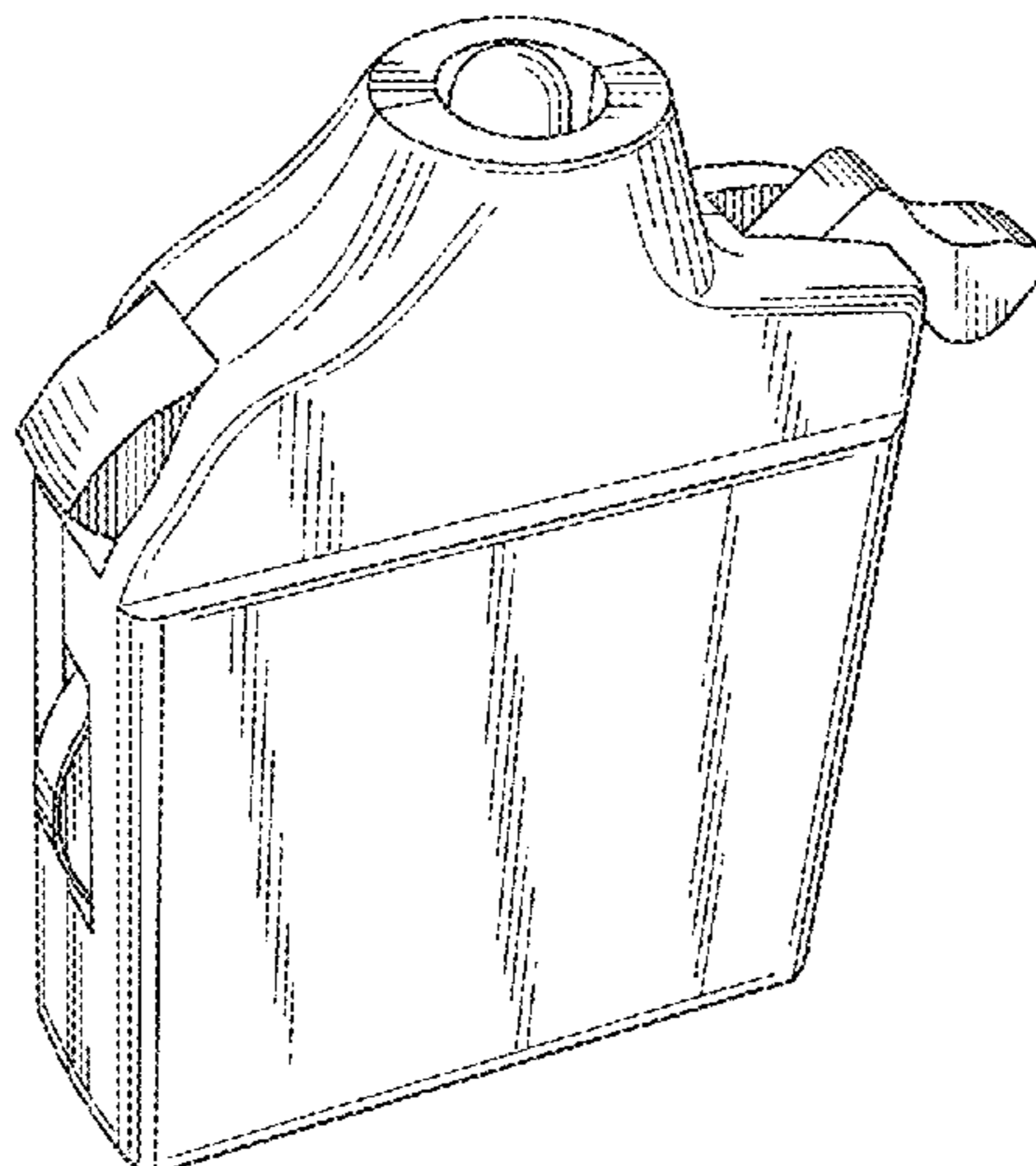
(57) **CLAIM**

The ornamental design for an LED light for use in a cigarette lighter case, as shown and described.

DESCRIPTION

FIG. 1 is a front side elevation view of my new design for an LED light for use in a cigarette lighter case.
FIG. 2 is a rear side elevation view of FIG. 1.
FIG. 3 is a left side elevation view of FIG. 1.
FIG. 4 is a right side elevation view of FIG. 1.
FIG. 5 is a top plan view of FIG. 1.
FIG. 6 is a bottom plan view of FIG. 1.
FIG. 7 is a top perspective view of FIG. 1; and,
FIG. 8 is a rear side perspective view of FIG. 1.
The features shown in broken lines in the drawing depict environmental subject matter only and form no part of the claimed design.

1 Claim, 2 Drawing Sheets



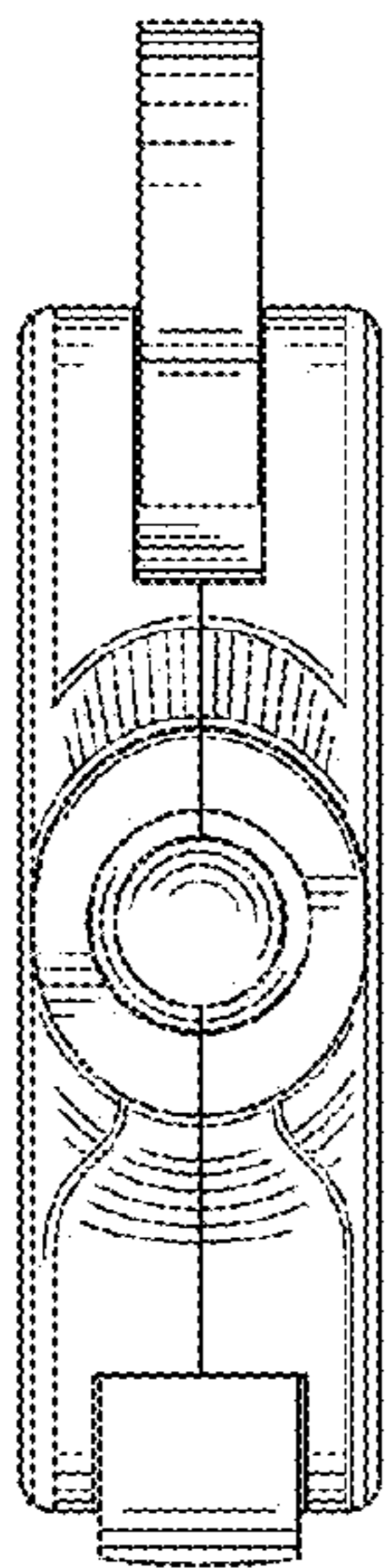


FIG. 5

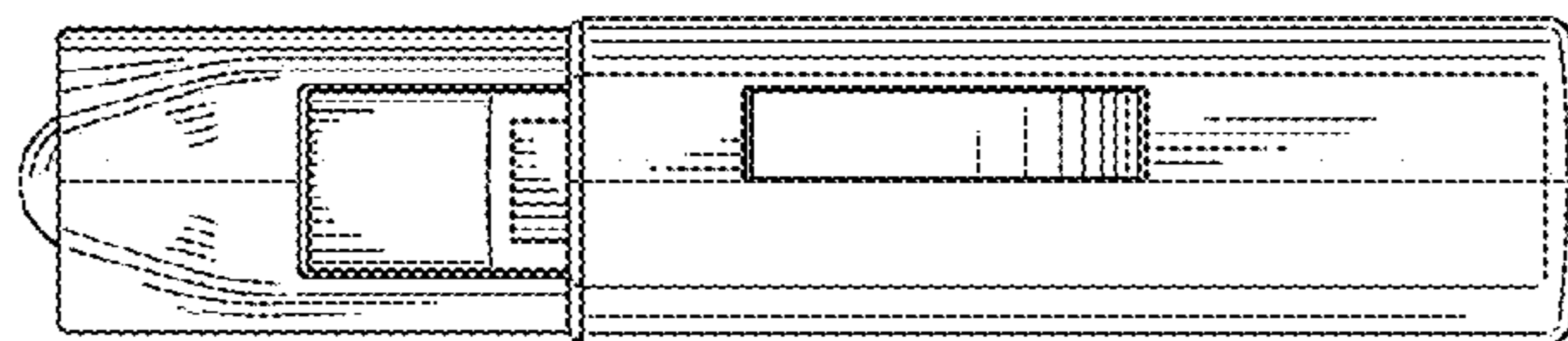


FIG. 3

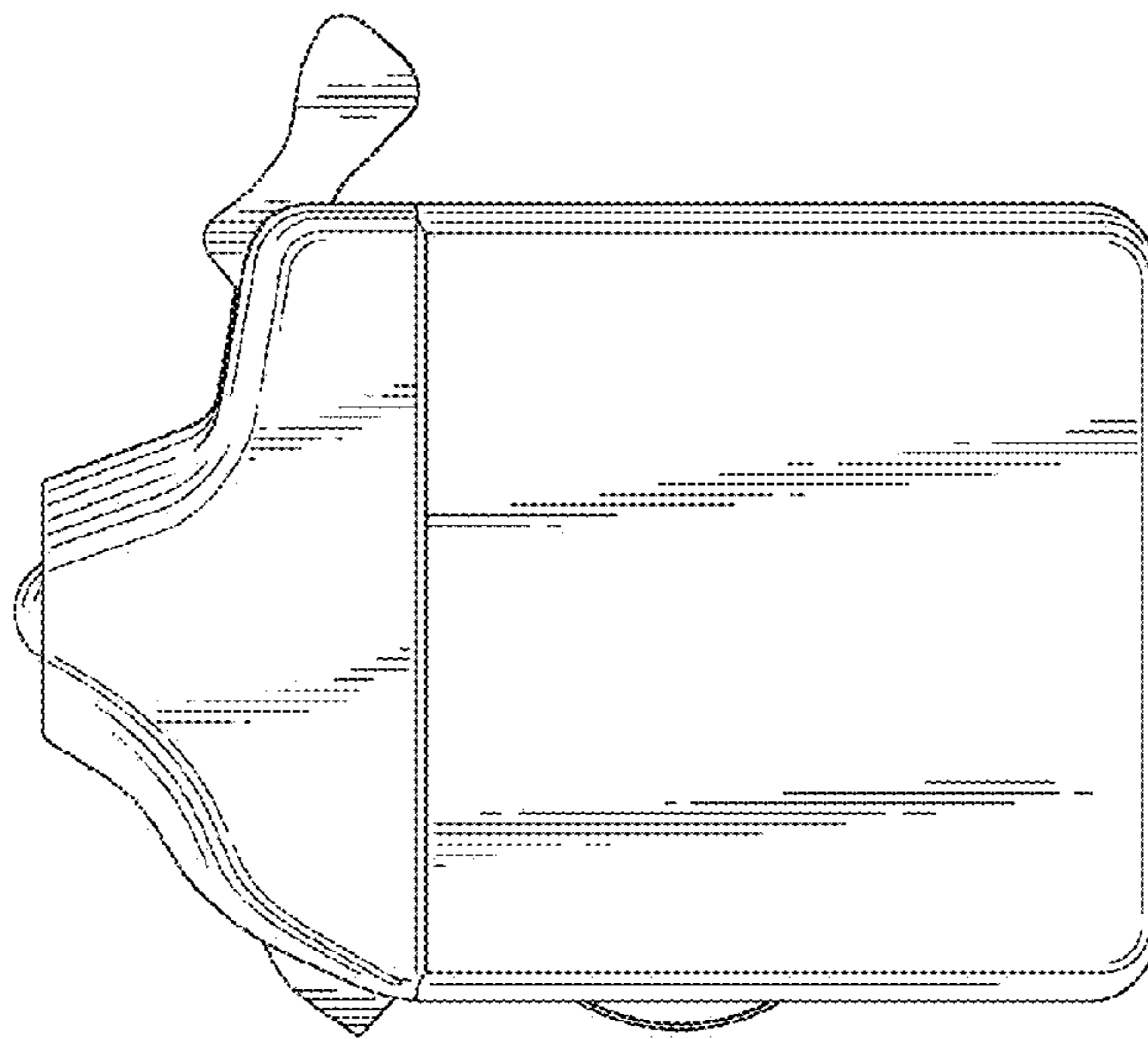


FIG. 1

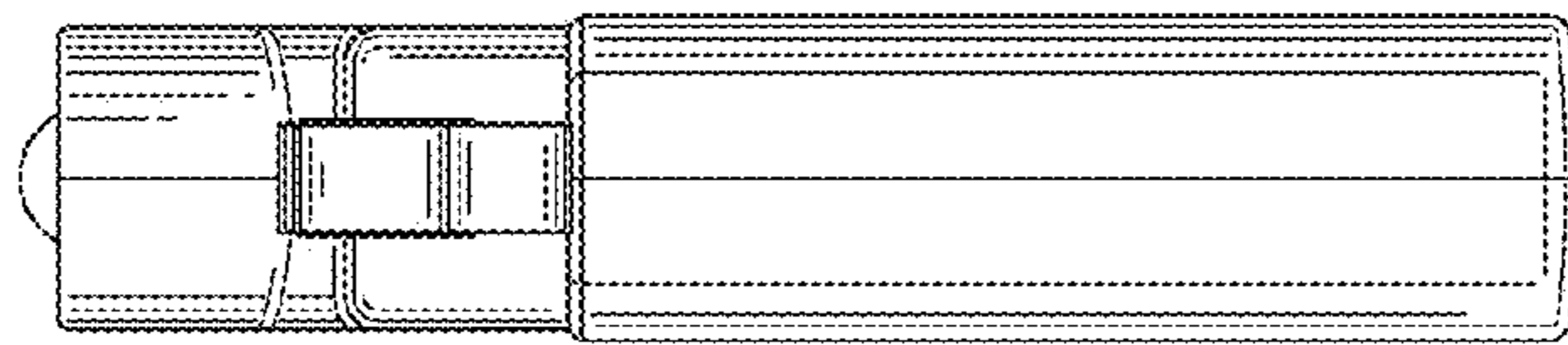


FIG. 4

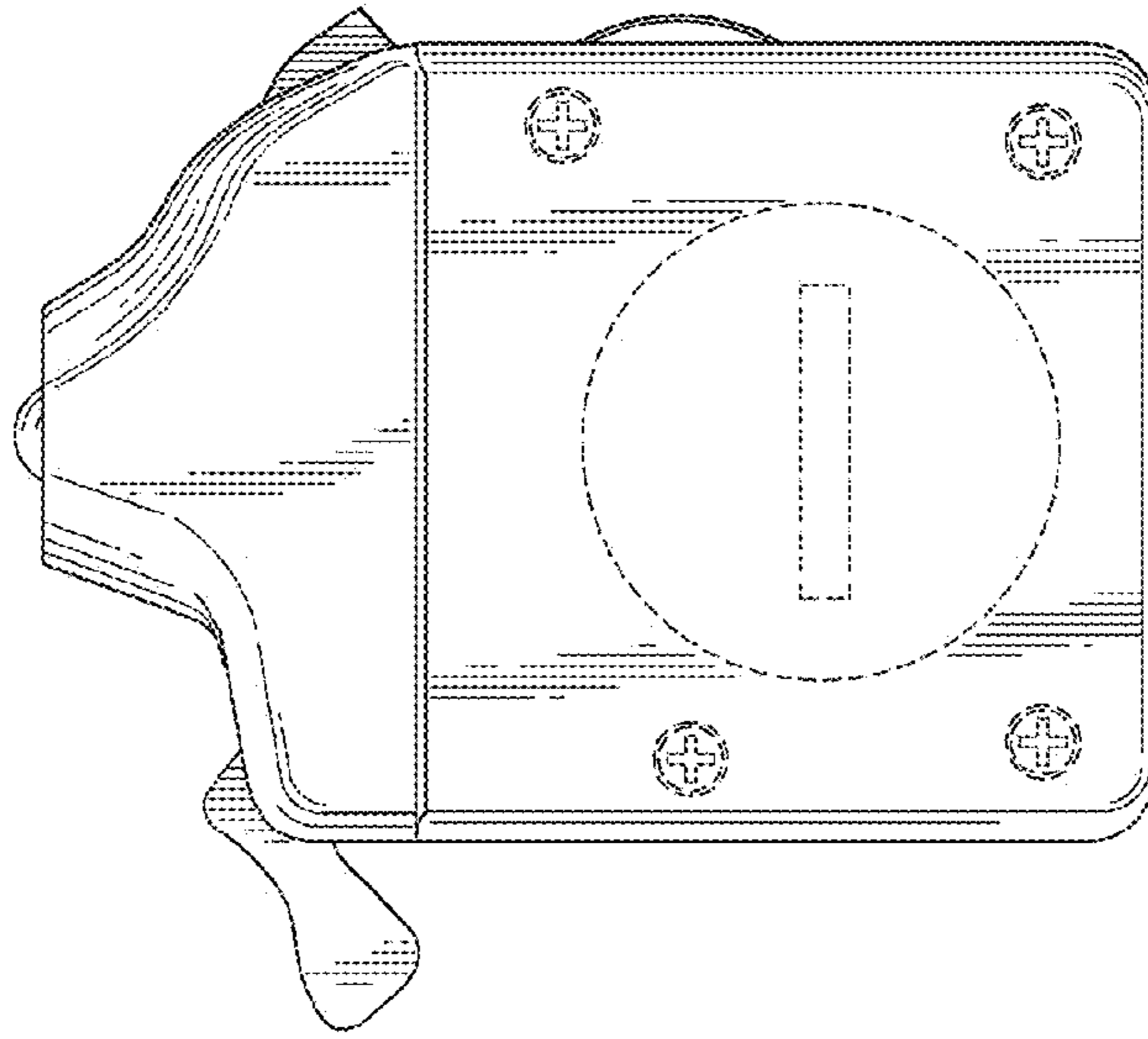


FIG. 2

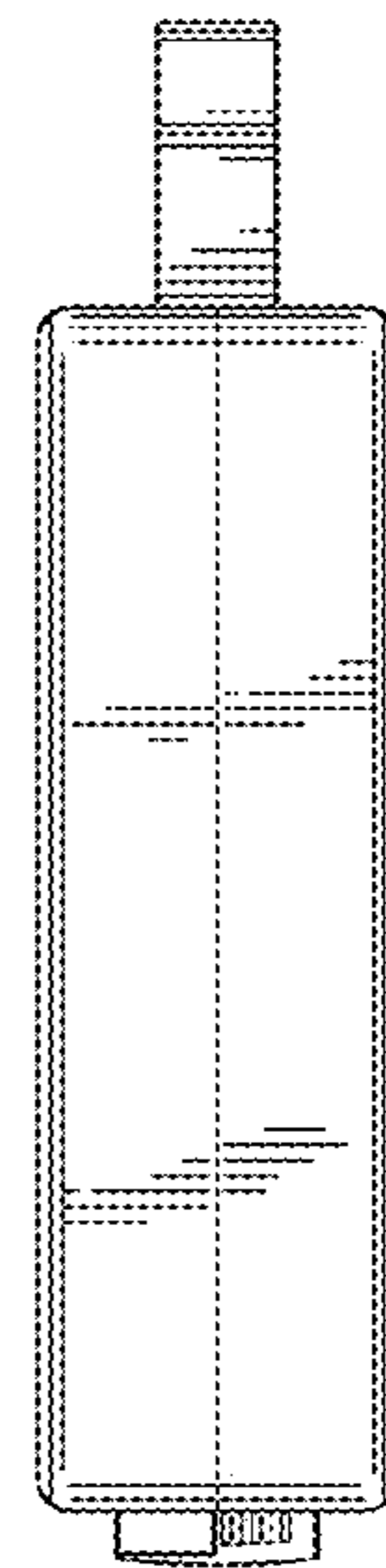


FIG. 6

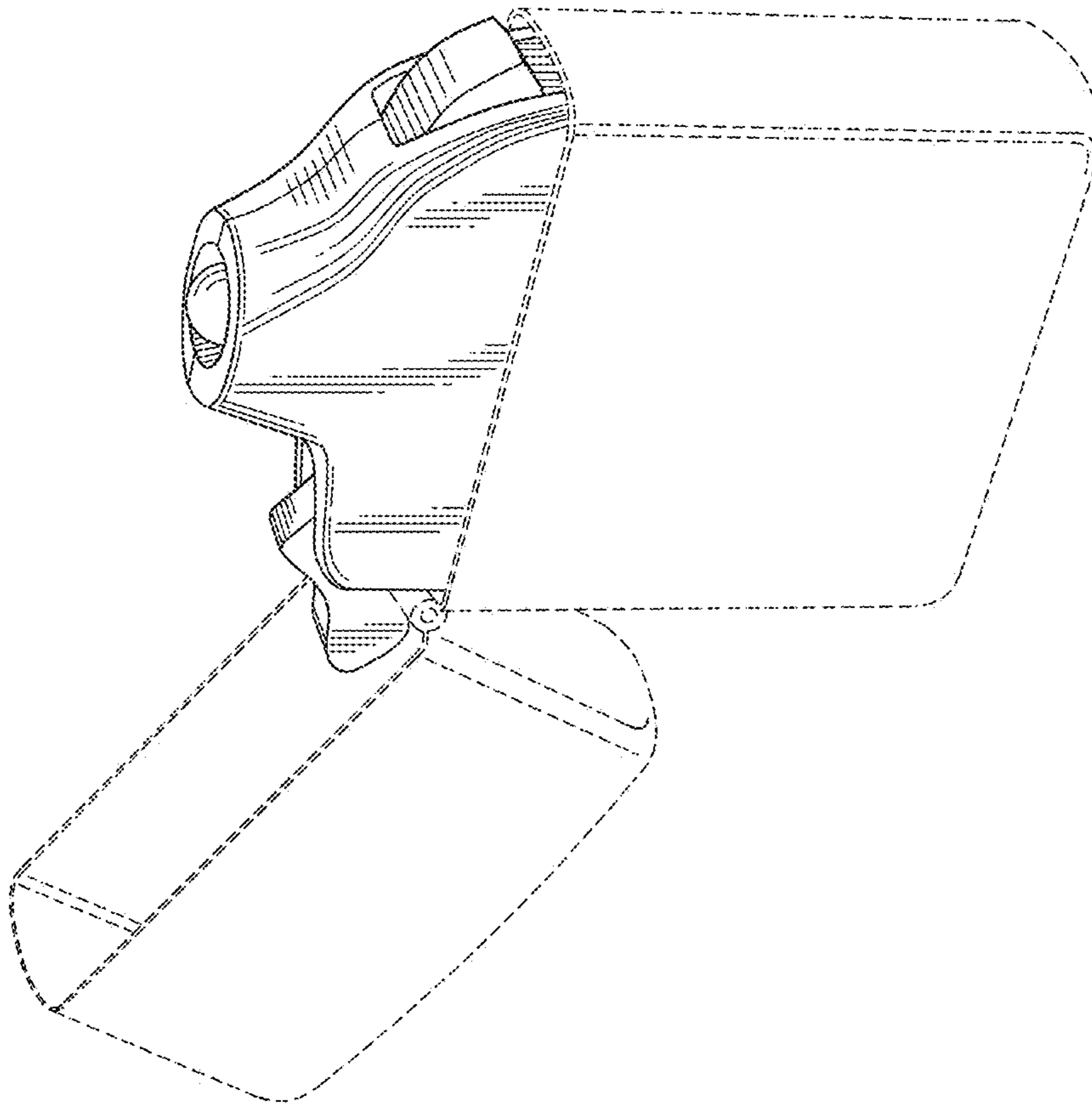


FIG. 8

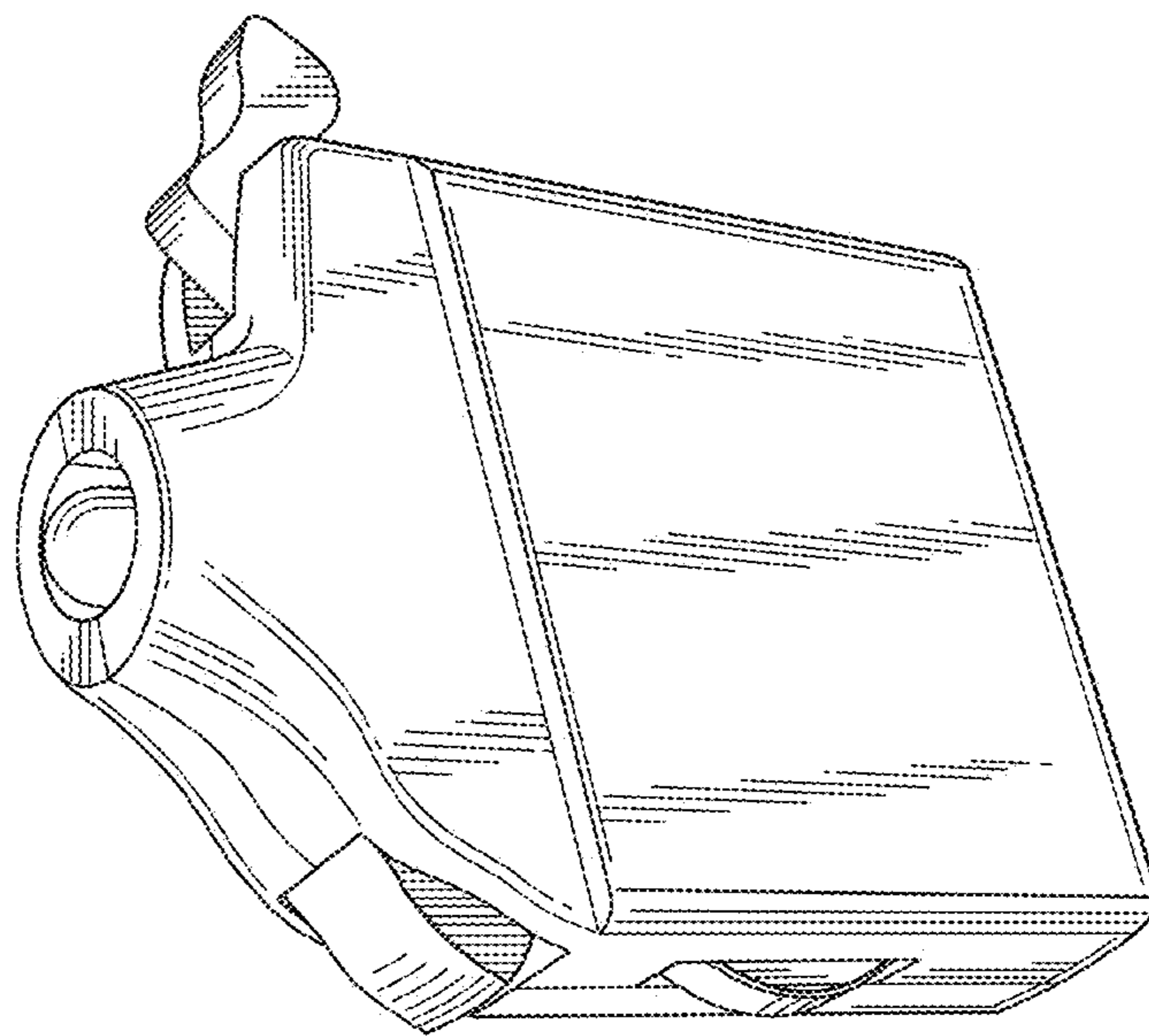


FIG. 7