



US00D724771S

(12) **United States Design Patent**  
**Ma**

(10) **Patent No.:** **US D724,771 S**  
(45) **Date of Patent:** **\*\* Mar. 17, 2015**

(54) **LIGHTING DEVICE**

(71) Applicant: **Eveready Battery Company, Inc.**, St. Louis, MO (US)

(72) Inventor: **Lai King Ma**, Fanling (HK)

(73) Assignee: **Eveready Battery Company, Inc.**, St. Louis, MO (US)

(\*\*) Term: **14 Years**

(21) Appl. No.: **29/466,490**

(22) Filed: **Sep. 9, 2013**

(51) **LOC (10) Cl.** ..... **26-05**

(52) **U.S. Cl.**  
USPC ..... **D26/26**

(58) **Field of Classification Search**  
CPC ..... F21S 8/035; F21V 23/06; F21V 23/0442  
USPC ..... D26/26, 125, 118, 24, 72, 85, 37;  
D23/366, 367, 369; 362/640, 641, 642,  
362/643, 644, 651, 652, 657, 658, 659  
See application file for complete search history.

(56) **References Cited**

**U.S. PATENT DOCUMENTS**

D287,408 S	*	12/1986	Gaines	.....	D26/26
D426,328 S	*	6/2000	Yuen	.....	D26/26
D426,904 S	*	6/2000	Simon	.....	D26/26
D434,863 S	*	12/2000	Boessel	.....	D26/26

D498,318 S	*	11/2004	Yuen	.....	D26/38
D618,831 S	*	6/2010	Pennington	.....	D26/26
D618,832 S	*	6/2010	Choi	.....	D26/26
D642,301 S	*	7/2011	Rothman	.....	D26/26
D642,707 S	*	8/2011	Kang et al.	.....	D26/26
D642,709 S	*	8/2011	Kang	.....	D26/26
D644,362 S	*	8/2011	Kingston	.....	D26/26
D644,769 S	*	9/2011	Ng	.....	D26/26
D678,561 S	*	3/2013	Rugendyke et al.	.....	D26/26

\* cited by examiner

*Primary Examiner* — Angela J Lee

(74) *Attorney, Agent, or Firm* — Eveready Battery Company, Inc.

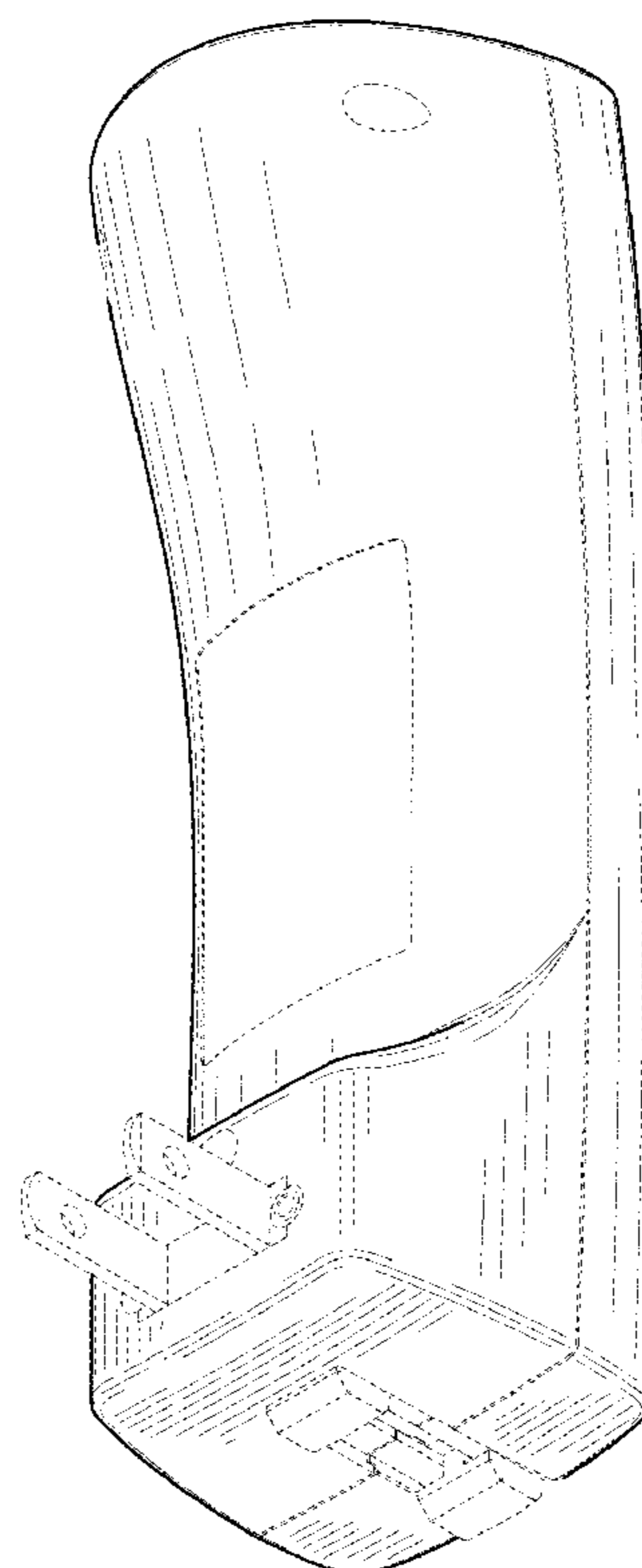
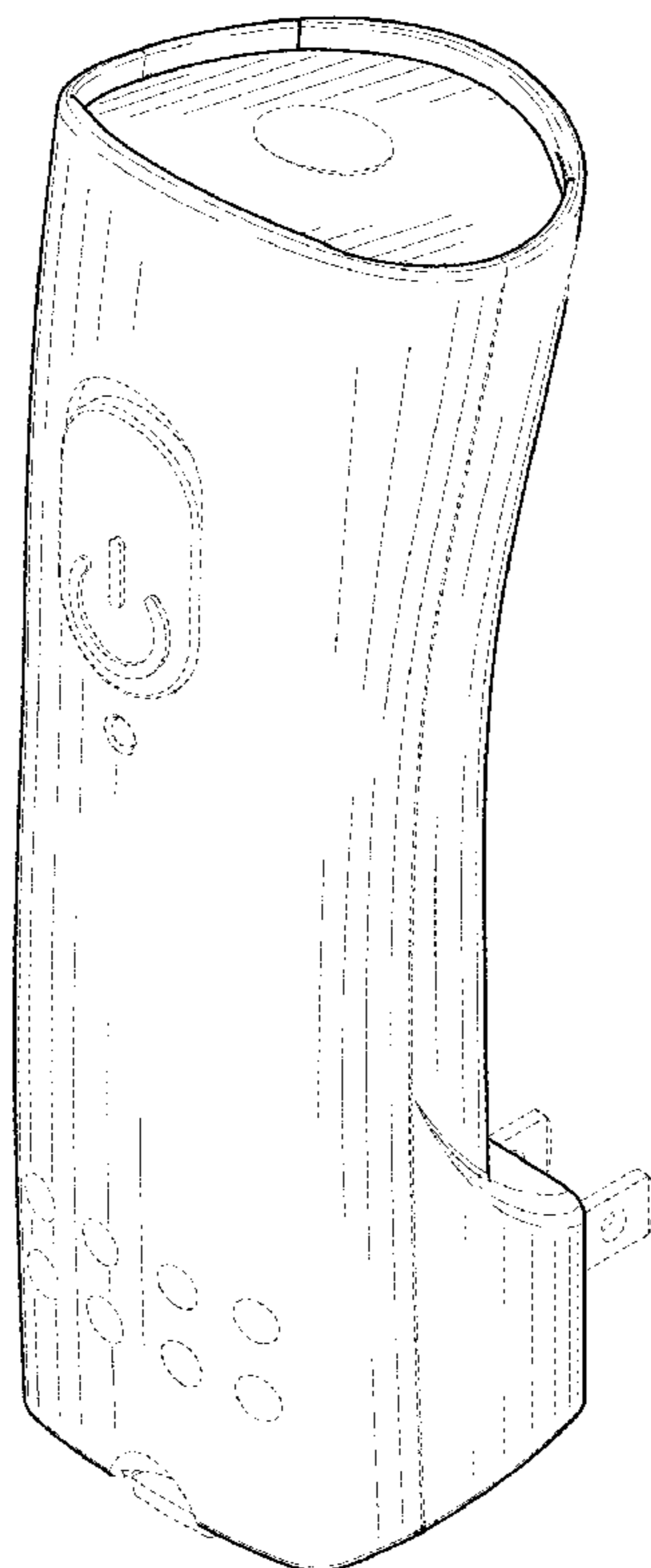
(57) **CLAIM**

The ornamental design for a lighting device, as shown and described.

**DESCRIPTION**

FIG. 1 is a top perspective view of a lighting device showing my design;  
FIG. 2 is a bottom perspective view of the design.  
FIG. 3 is a top view of the design.  
FIG. 4 is a bottom view of the design.  
FIG. 5 is a left side view of the design.  
FIG. 6 is a right side view of the design.  
FIG. 7 is a front view of the design; and,  
FIG. 8 is a rear view of the design.  
The portions of the lighting device shown in broken lines form no part of the claimed design.

**1 Claim, 4 Drawing Sheets**



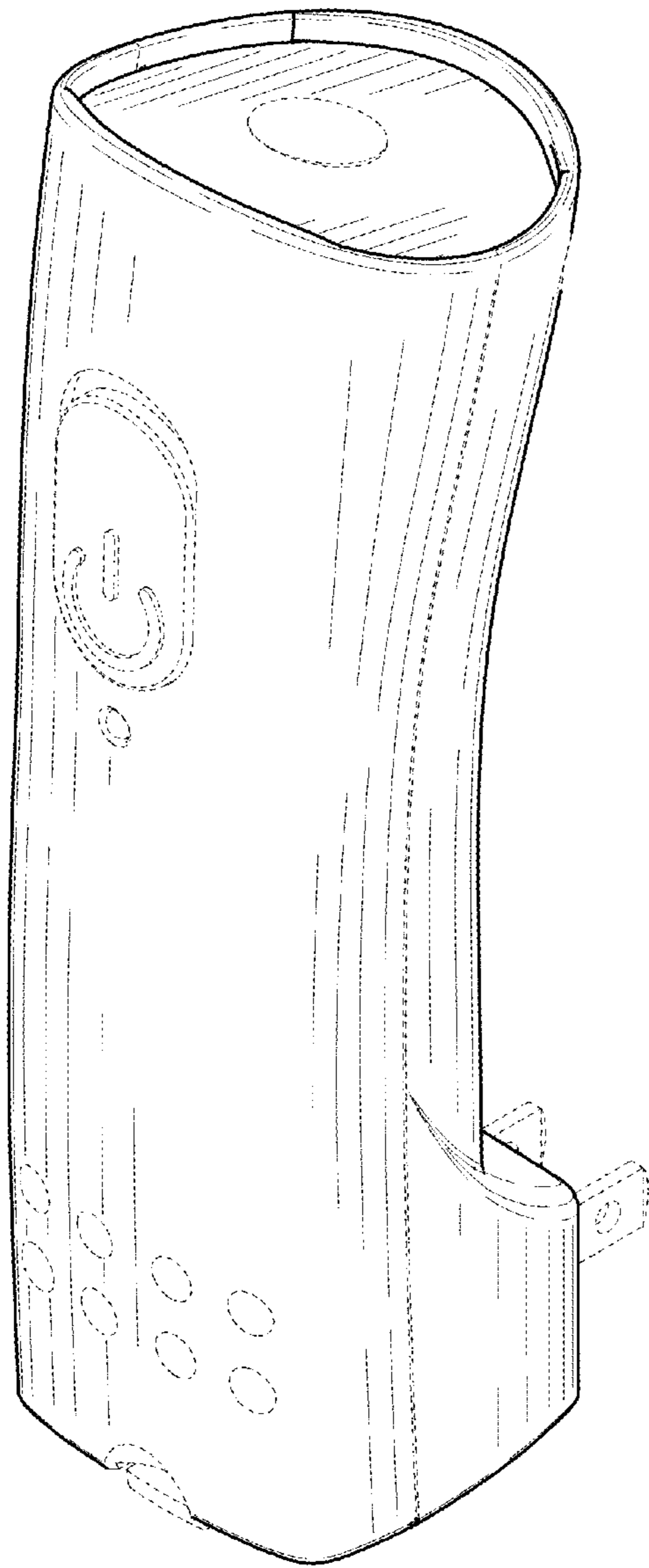


Fig. 1

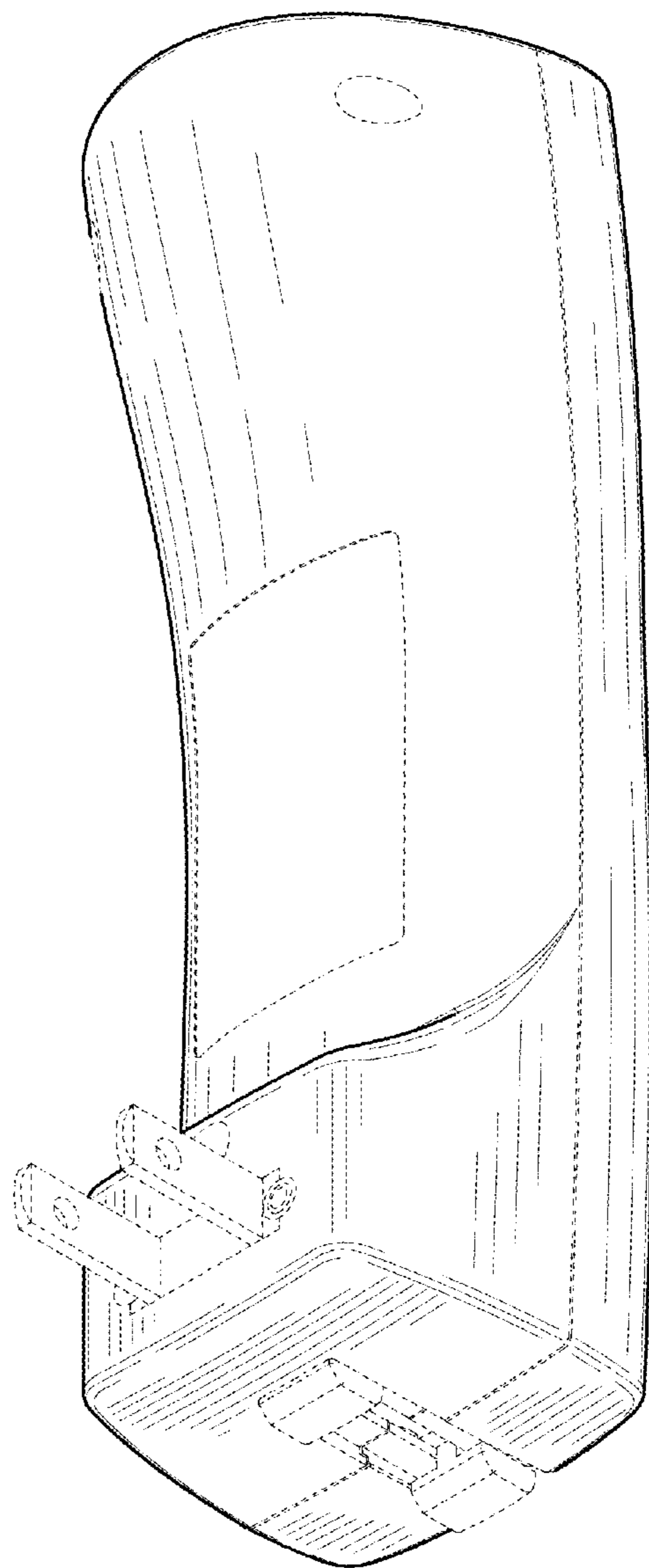
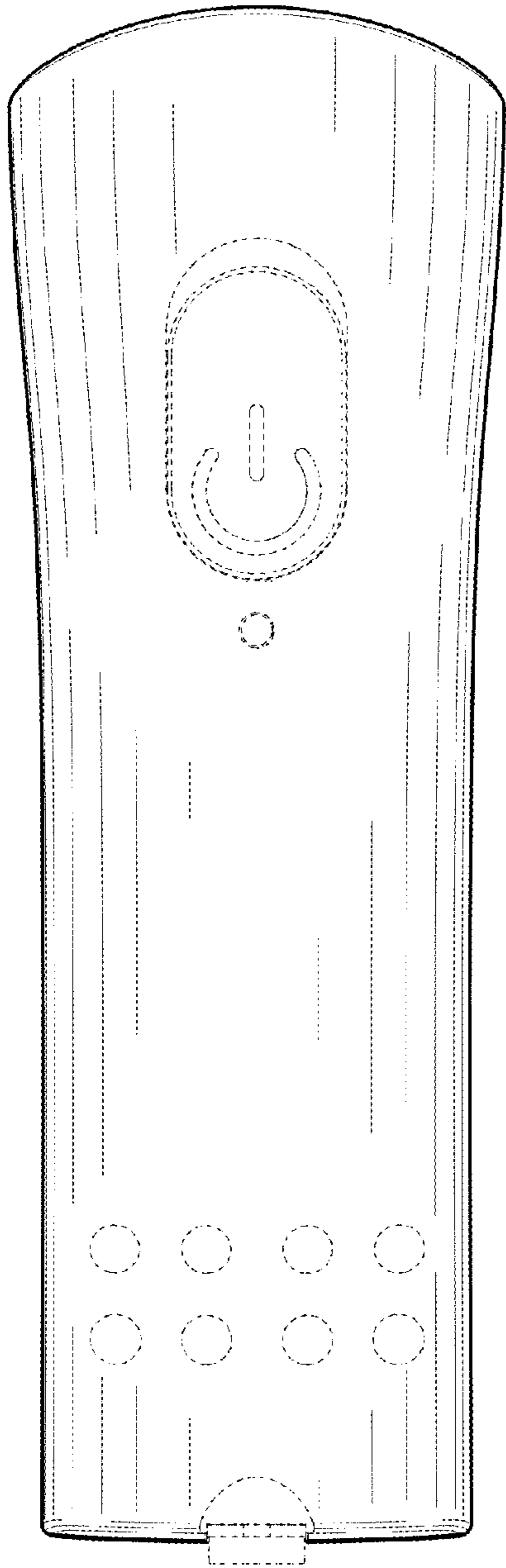
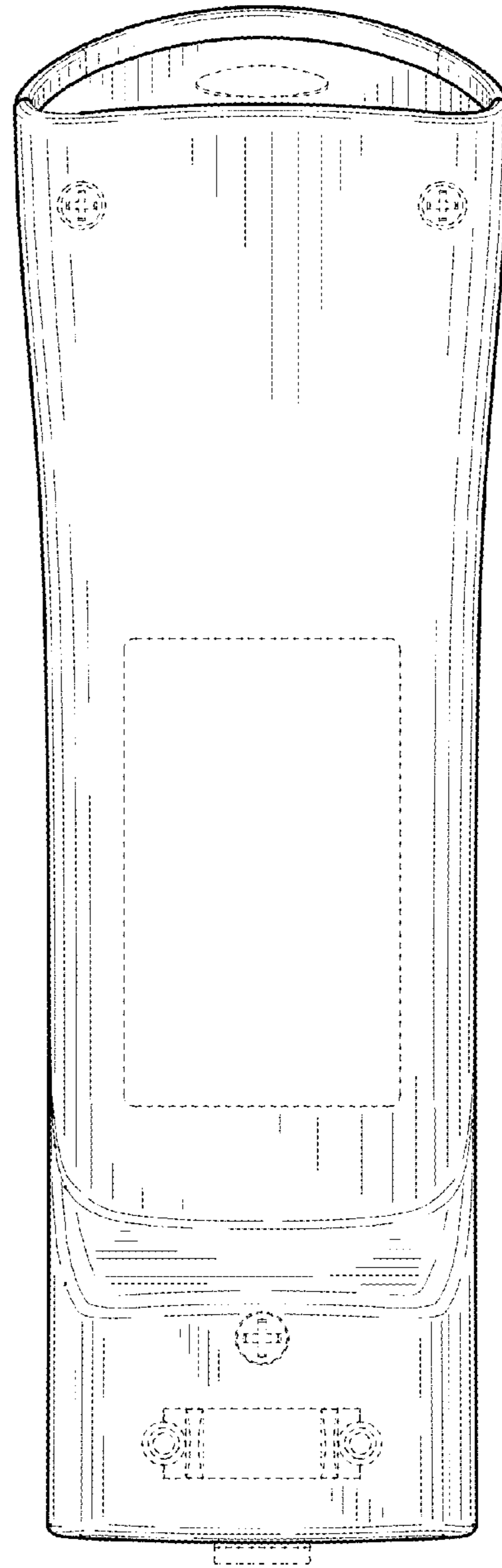


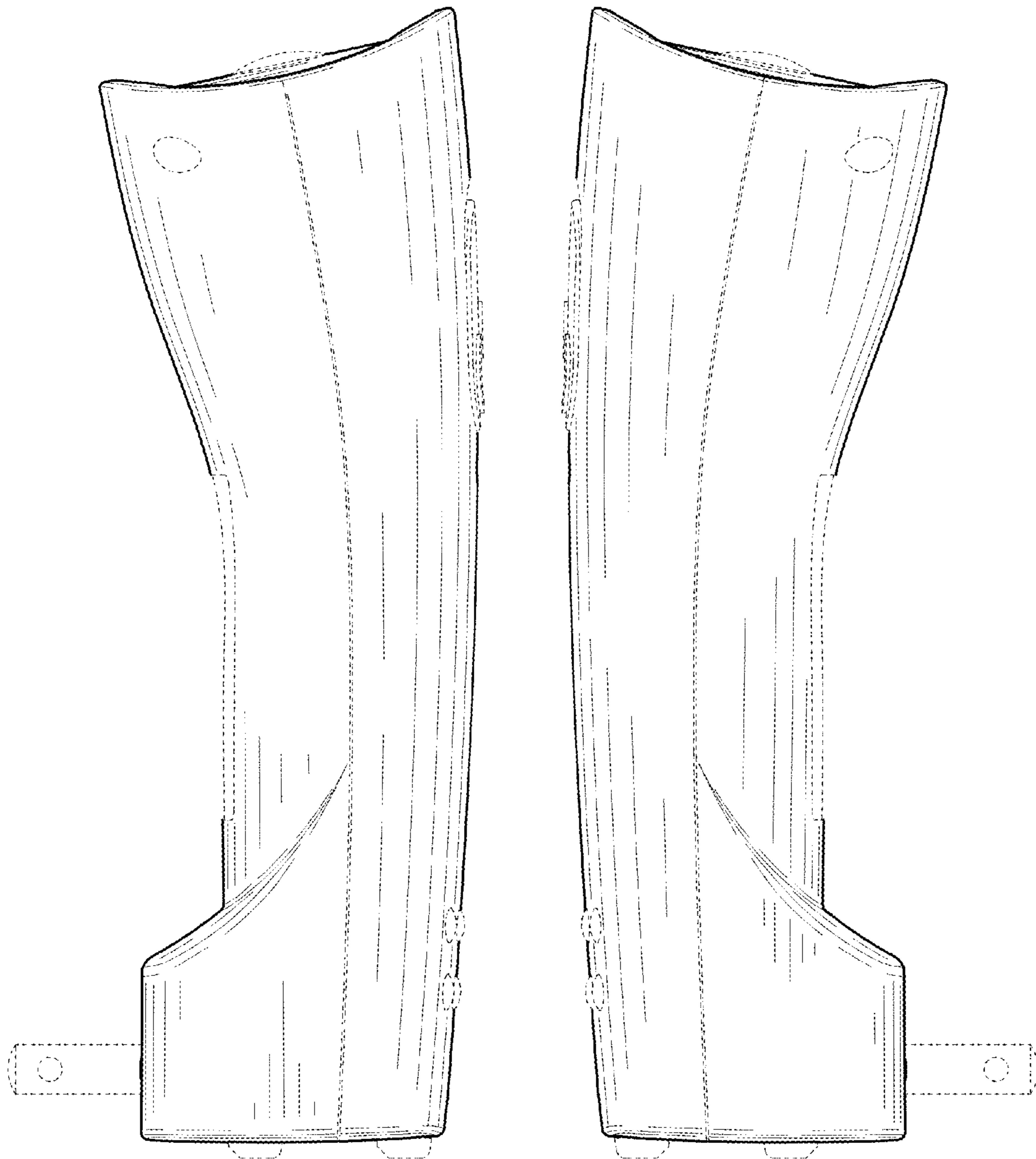
Fig. 2



**Fig. 3**

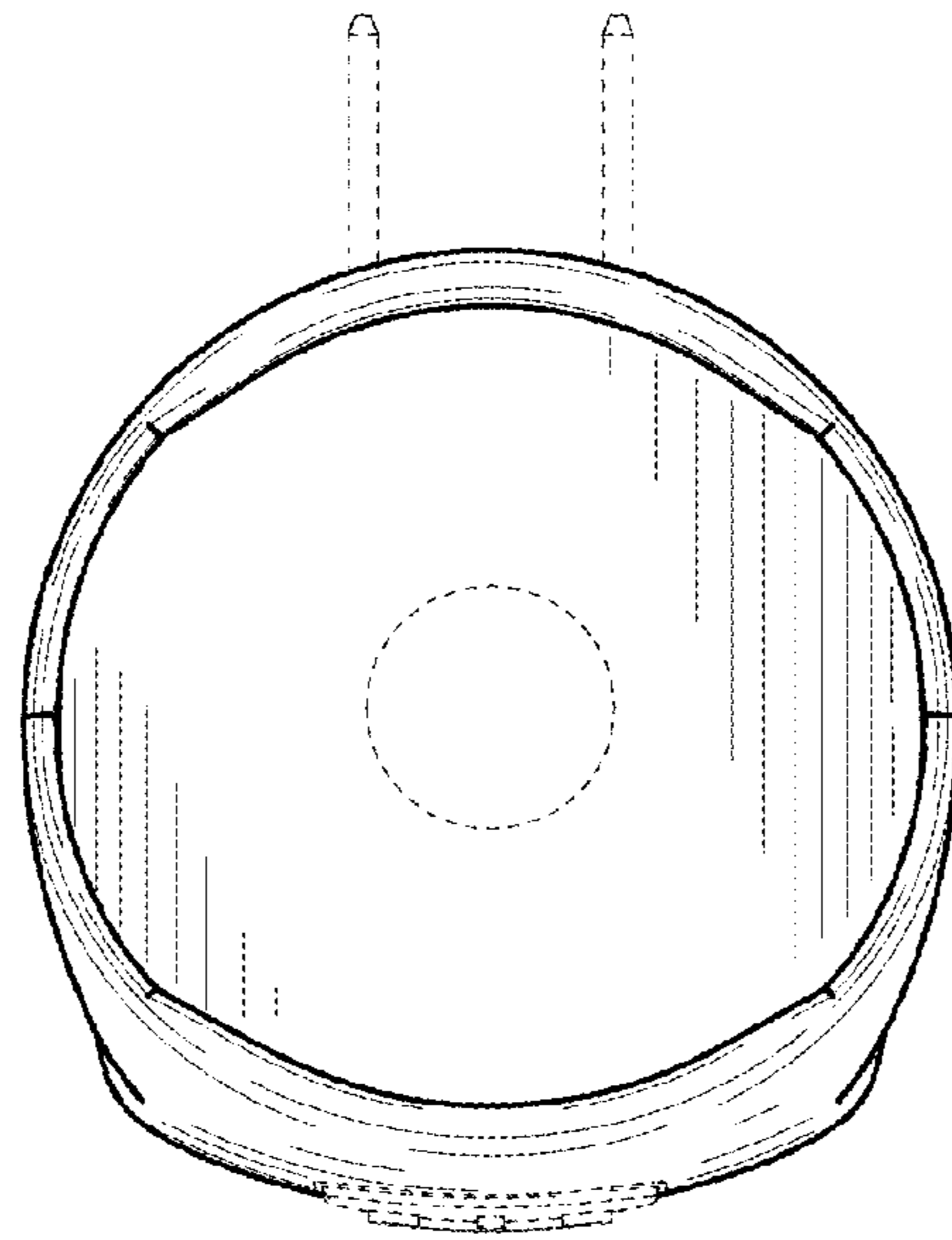


**Fig. 4**

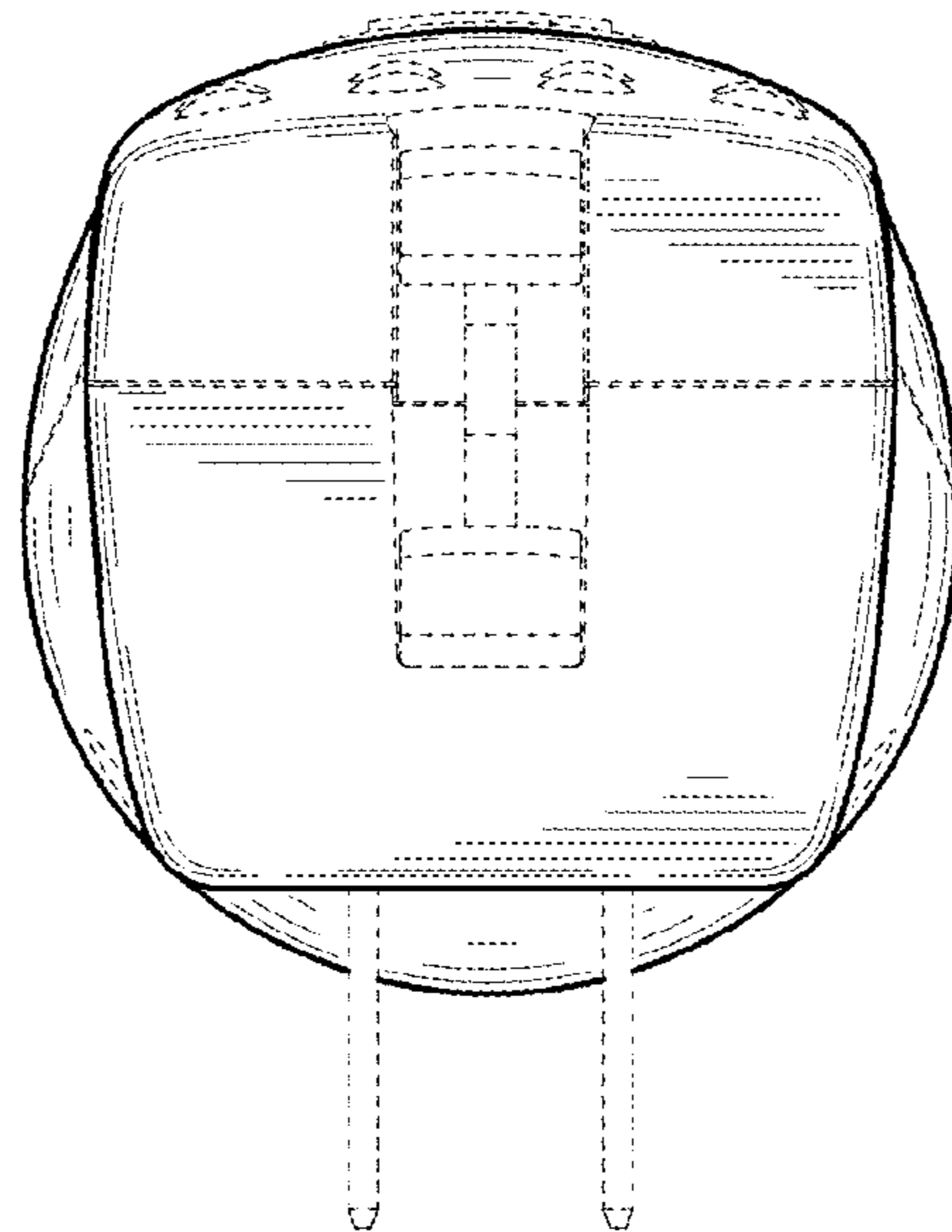


**Fig. 5**

**Fig. 6**



**Fig. 7**



**Fig. 8**