



US00D724769S

(12) **United States Design Patent**
Hohmann, Sr.

(10) **Patent No.:** **US D724,769 S**
(45) **Date of Patent:** **** Mar. 17, 2015**

- (54) **LOCKING CONCRETE INSERT**
- (75) Inventor: **Ronald P. Hohmann, Sr.**, Hauppauge, NY (US)
- (73) Assignee: **Mitek Holdings, Inc.**, Wilmington, DE (US)
- (**) Term: **14 Years**
- (21) Appl. No.: **29/412,173**
- (22) Filed: **Jan. 31, 2012**

- 4,469,466 A 9/1984 Hotz
- 4,671,697 A 6/1987 Ando et al.
- 4,708,554 A 11/1987 Howard
- 5,379,561 A 1/1995 Saito

(Continued)

OTHER PUBLICATIONS

Office Action dated Apr. 21, 2011 regarding related U.S. Appl. No. 12/258,890, 18 pages.

(Continued)

Primary Examiner — Anhdao Doan

(74) *Attorney, Agent, or Firm* — Senniger Powers LLP

Related U.S. Application Data

- (63) Continuation of application No. 12/258,890, filed on Oct. 27, 2008, now abandoned.
- (51) **LOC (10) Cl.** **25-99**
- (52) **U.S. Cl.**
USPC **D25/199**
- (58) **Field of Classification Search**
USPC D25/113–118, 136, 138, 164, 199;
52/710, 711, 223.6, 223.7; D8/1
See application file for complete search history.

(57) **CLAIM**

The ornamental design for a locking concrete insert, as shown and described.

DESCRIPTION

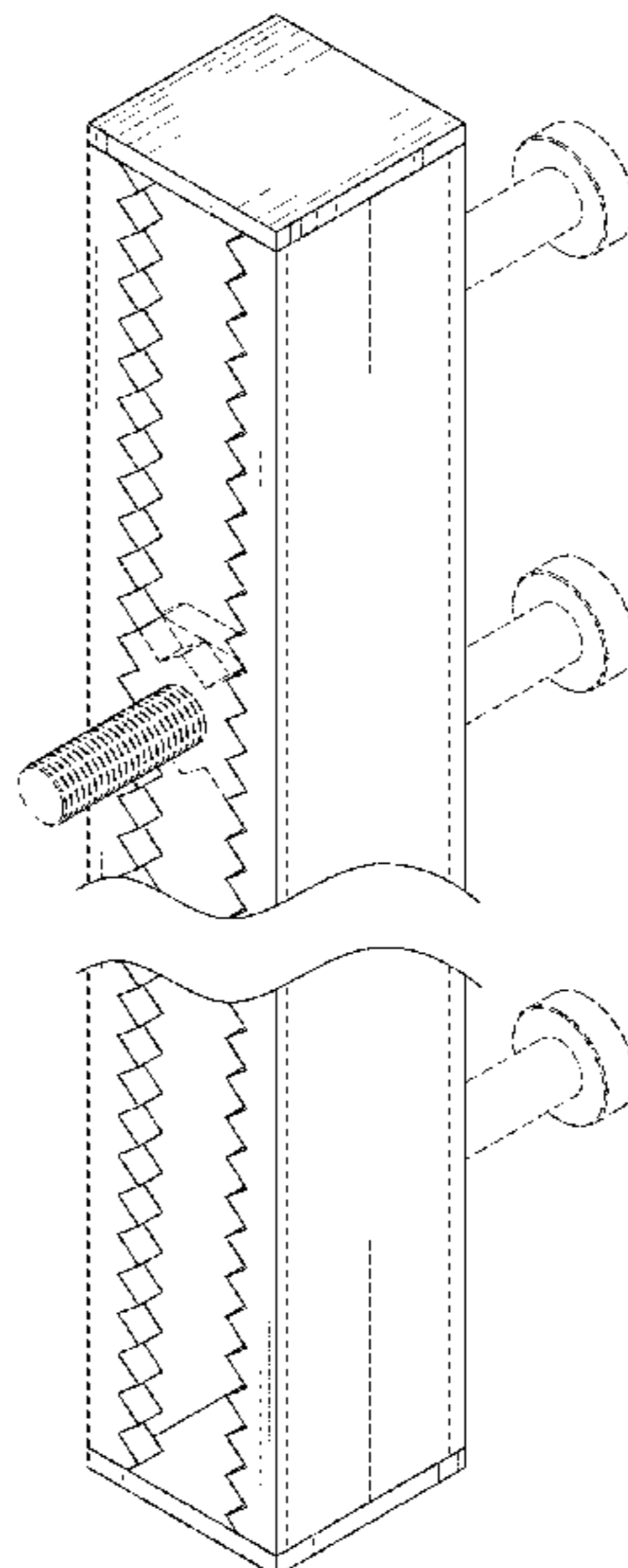
FIG. 1 is a perspective view of a first embodiment of a locking concrete insert and illustrates a paired threaded gear nut and locking plate therefor in phantom;
 FIG. 2 is a front view of the locking concrete insert of FIG. 1;
 FIG. 3 is a left side view of the locking concrete insert, the right side view being a mirror image thereof;
 FIG. 4 is a rear view of the locking concrete insert;
 FIG. 5 is a top view of the locking concrete insert, the bottom view being an inverted image thereof;
 FIG. 6 is a perspective view of a second embodiment of a locking concrete insert;
 FIG. 7 is a front view of the second embodiment;
 FIG. 8 is a left side view of the second embodiment, the right side view being a mirror image thereof;
 FIG. 9 is a rear view of the second embodiment; and,
 FIG. 10 is a top view of the second embodiment, the bottom view being an inverted image thereof.
 The broken lines in the drawings represent the environmental subject matters and form no part of the claimed design.

(56) **References Cited**

U.S. PATENT DOCUMENTS

- 1,281,699 A 10/1918 Swan
- 1,769,498 A 7/1930 Downing
- 1,854,277 A 4/1932 Schatz
- 1,933,536 A 11/1933 Awbrey
- 2,696,139 A 12/1954 Attwood
- 3,005,292 A 10/1961 Reiland
- 3,095,672 A 7/1963 Di Tullio et al.
- 3,438,910 A 12/1969 Londe et al.
- 4,009,549 A 3/1977 Hala
- 4,021,991 A 5/1977 Hotz
- 4,073,329 A 2/1978 Hala
- 4,130,977 A 12/1978 Taylor, Jr. et al.
- 4,235,560 A 11/1980 Schimmel

1 Claim, 10 Drawing Sheets



(56)

References Cited

U.S. PATENT DOCUMENTS

5,548,939 A 8/1996 Carmical
5,625,993 A 5/1997 Kelly
5,729,951 A 3/1998 Frohlich
5,809,703 A 9/1998 Kelly
5,890,340 A 4/1999 Kafarowski
5,893,676 A 4/1999 Yamamoto et al.
6,227,920 B1 5/2001 Alby et al.
D516,228 S * 2/2006 Dunbar D25/113
7,162,837 B1 1/2007 Roth
7,213,376 B2 5/2007 Pulkkanen et al.
7,234,566 B2 6/2007 Simmons

7,237,368 B2 7/2007 Richardson et al.
D599,037 S * 8/2009 Henriquez D25/138
D610,267 S * 2/2010 Grice D25/199
2010/0101175 A1 4/2010 Hohmann

OTHER PUBLICATIONS

Response filed Jul. 21, 2011 to Office Action dated Apr. 21, 2011 regarding related U.S. Appl. No. 12/258,890, 11 pages.
Final Office Action dated Aug. 31, 2011 regarding related U.S. Appl. No. 12/258,890, 13 pages.
Exam Report dated May 28, 2012 regarding Canadian Application No. 2,683,381, 4 pages.

* cited by examiner

FIG. 1

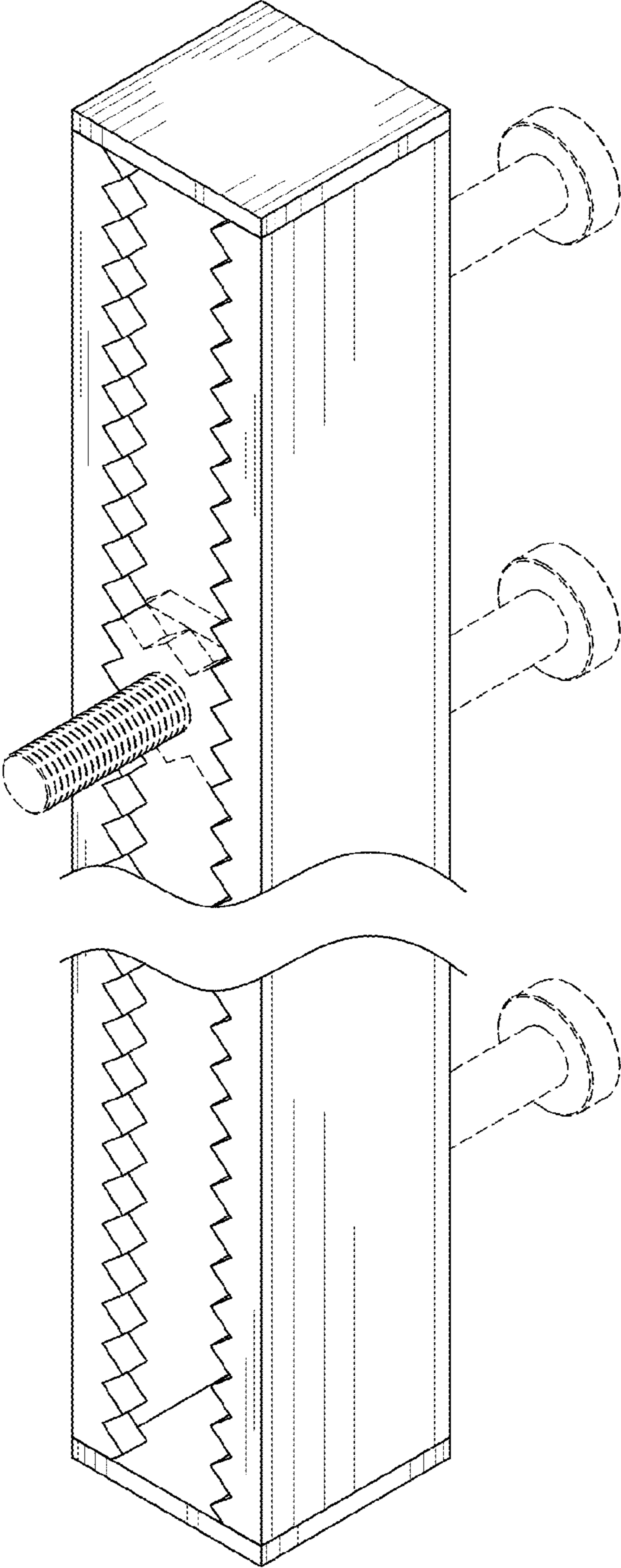


FIG. 2

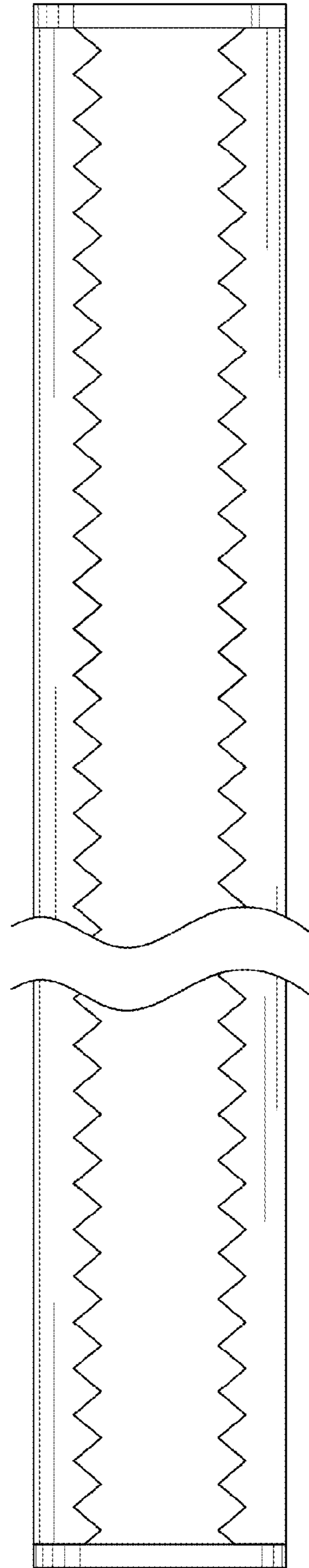


FIG. 3

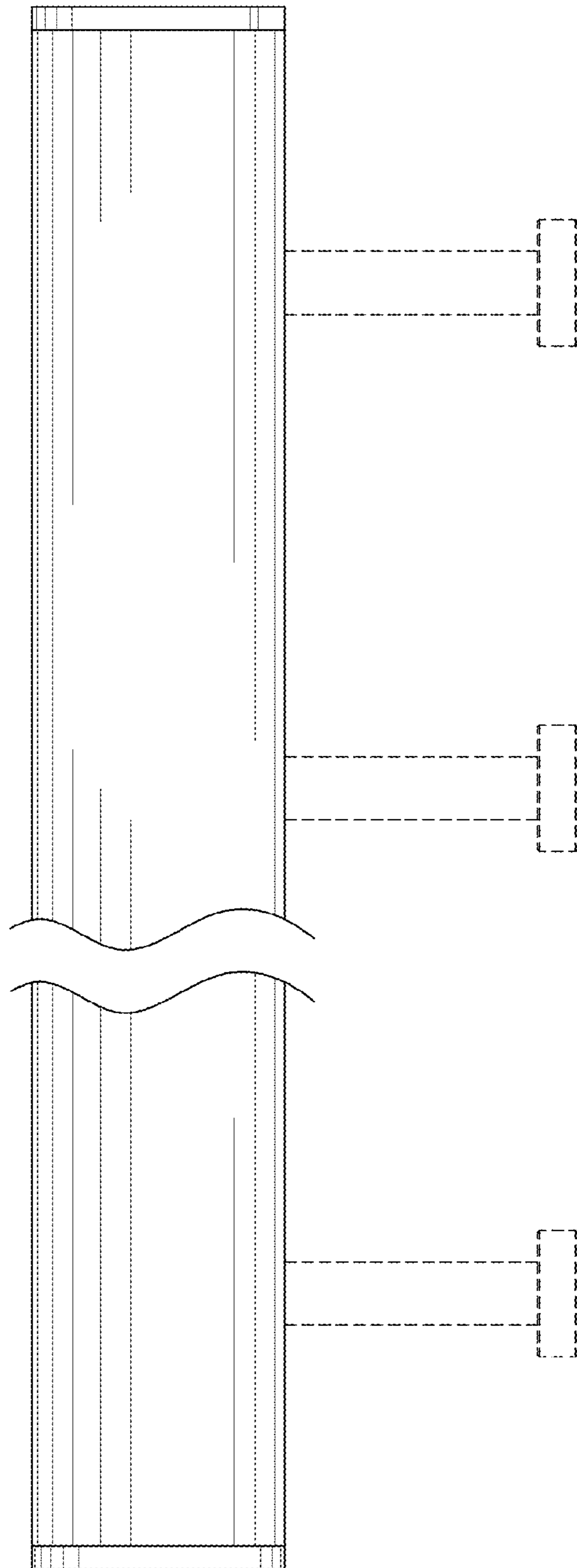


FIG. 4

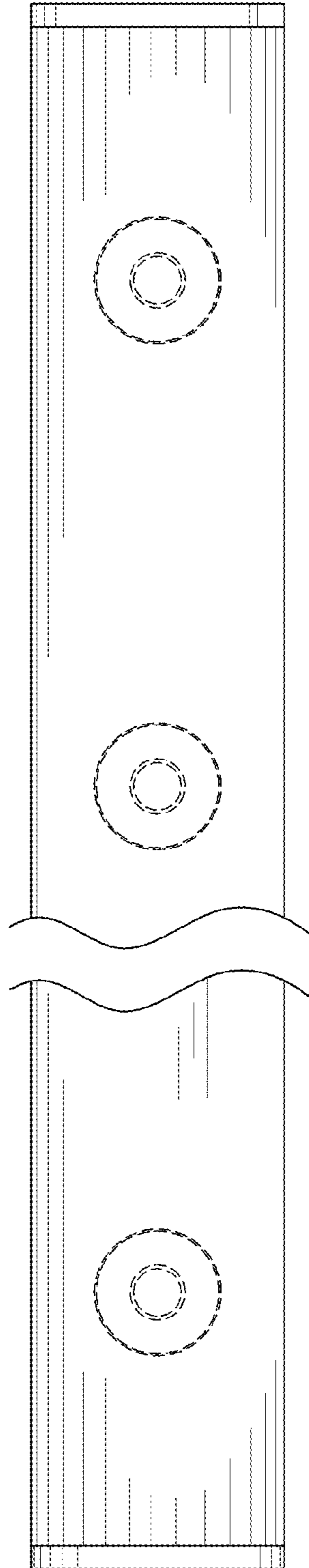


FIG. 5

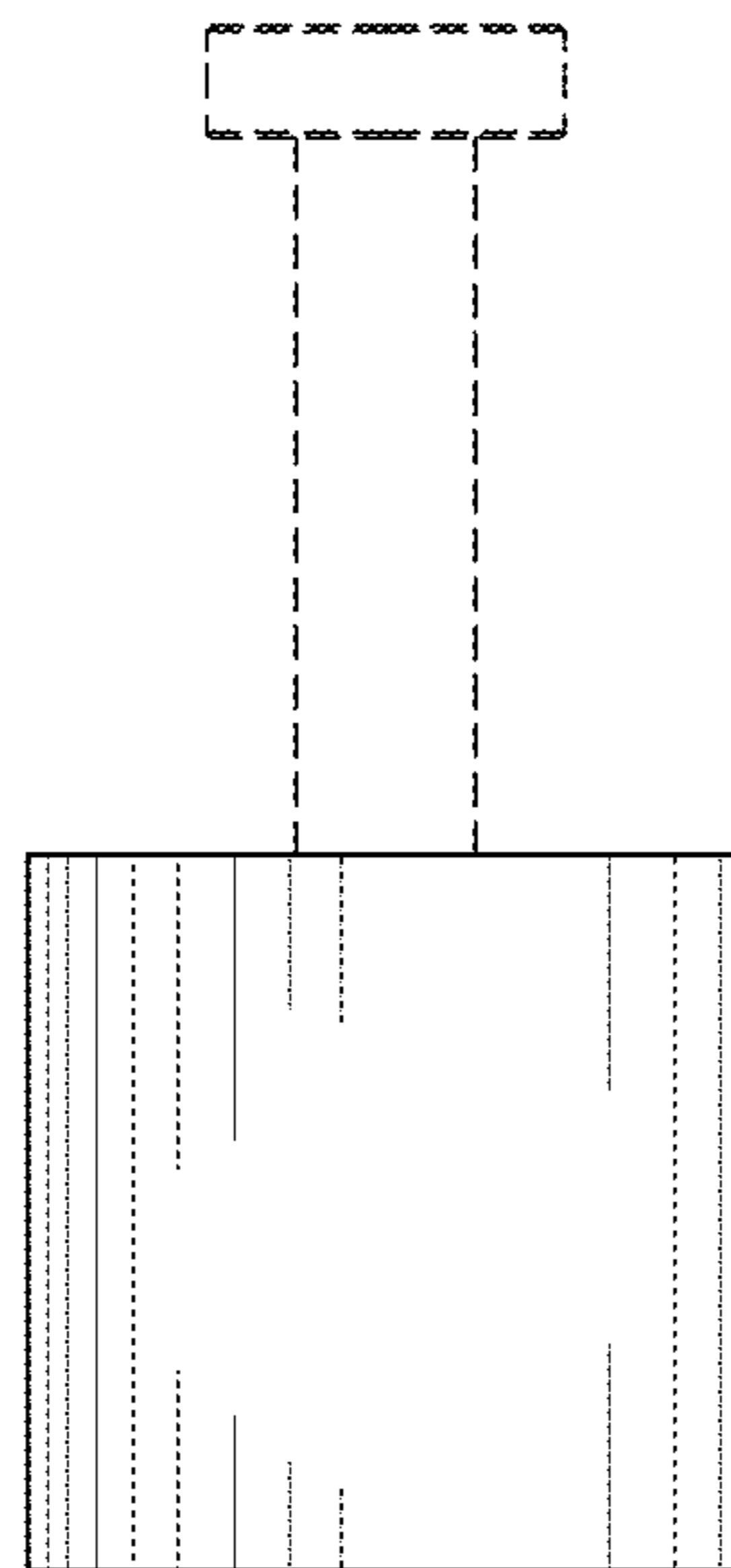


FIG. 6

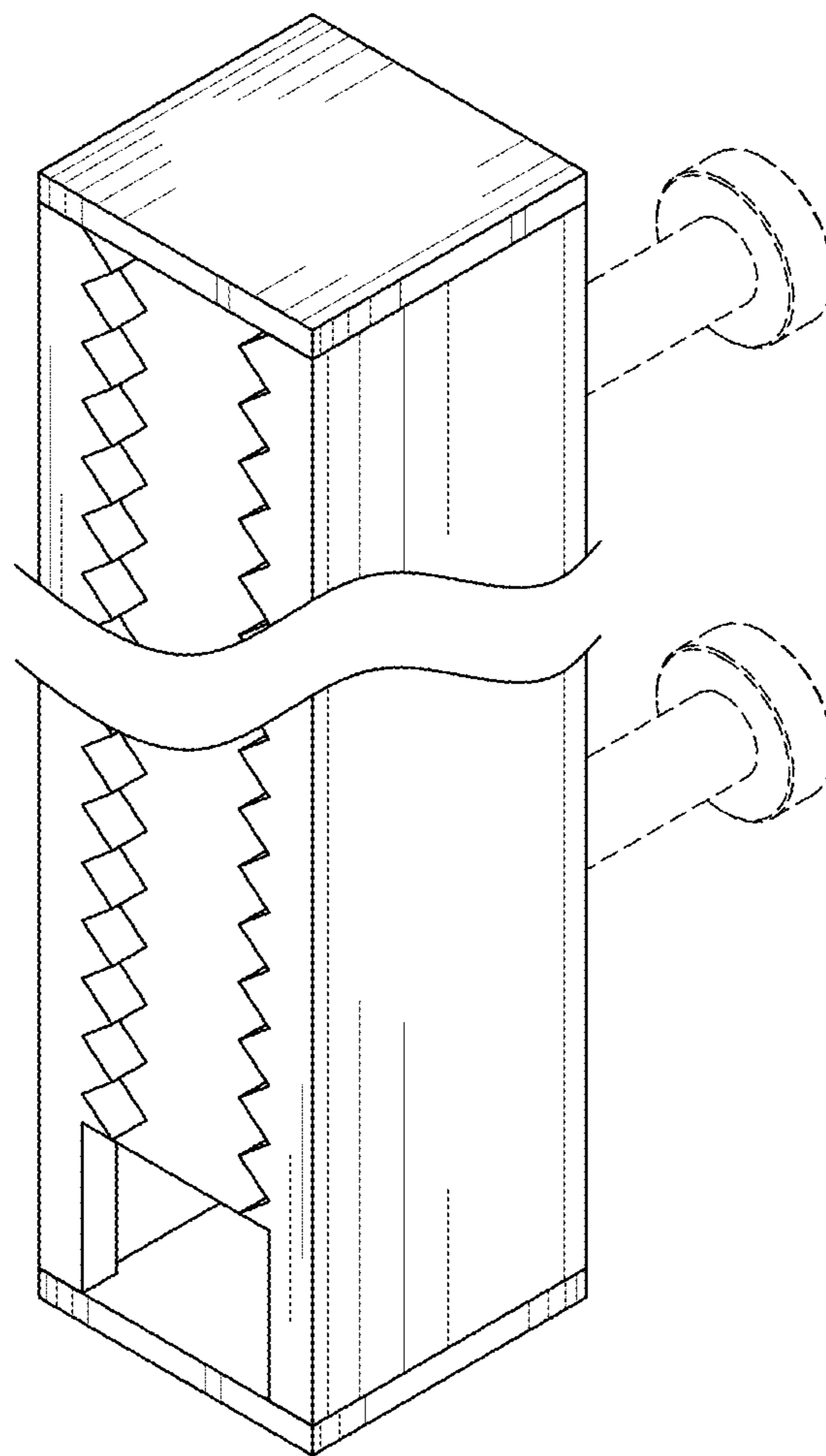


FIG. 7

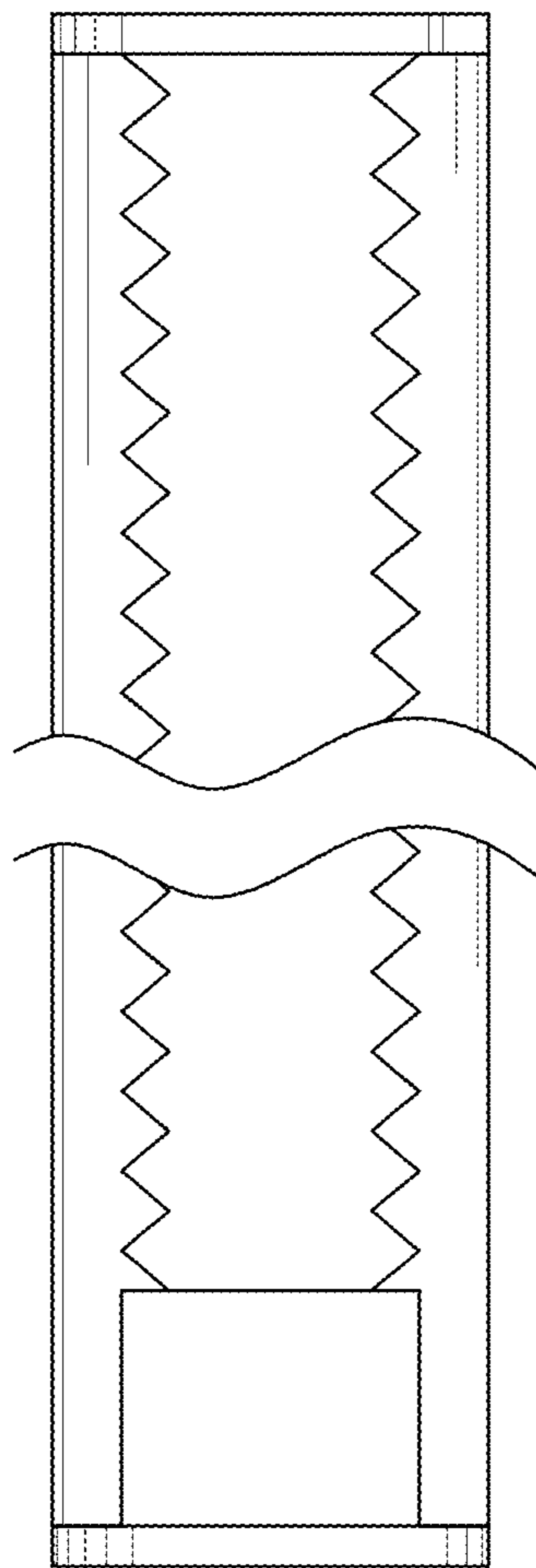


FIG. 8

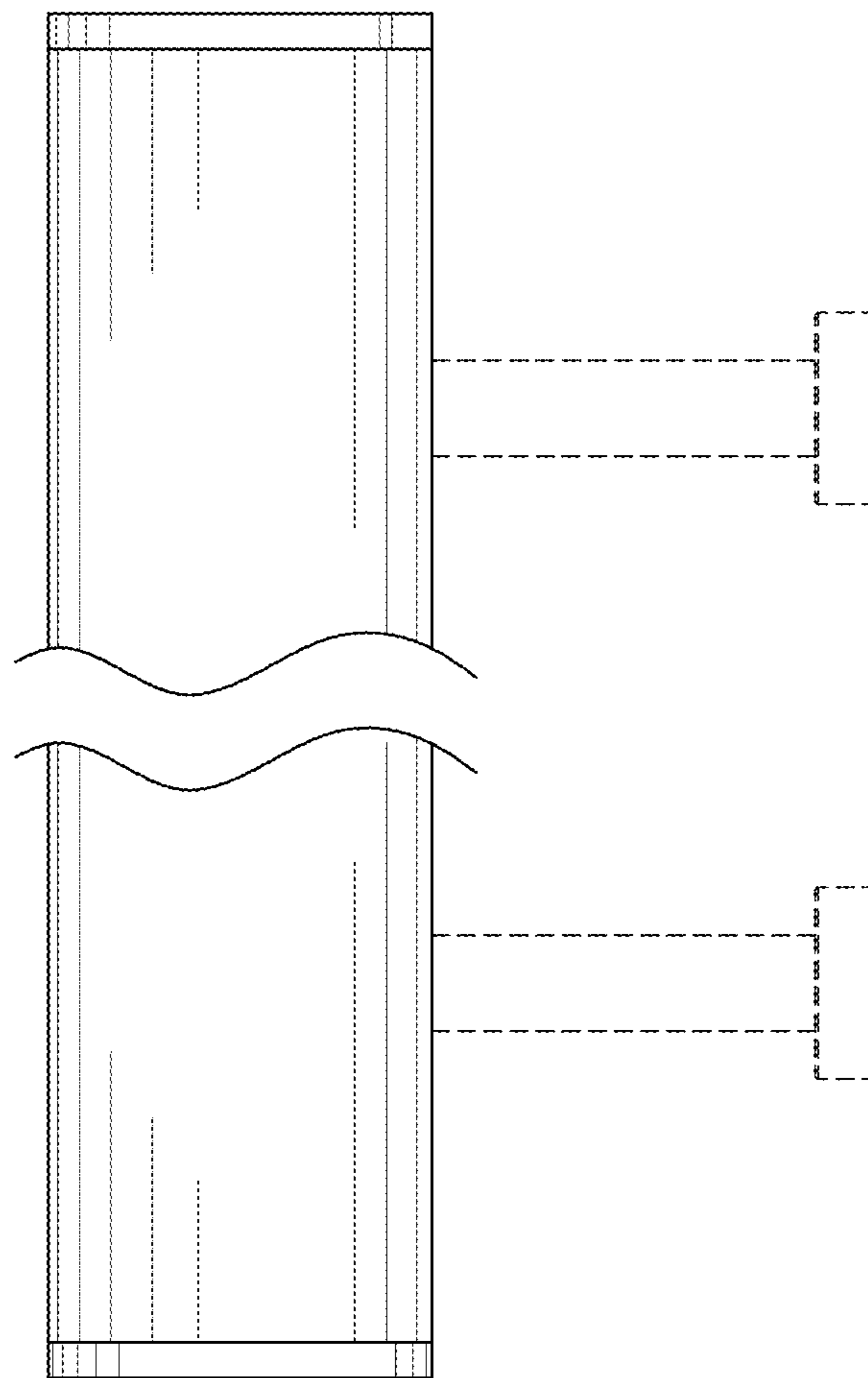


FIG. 9

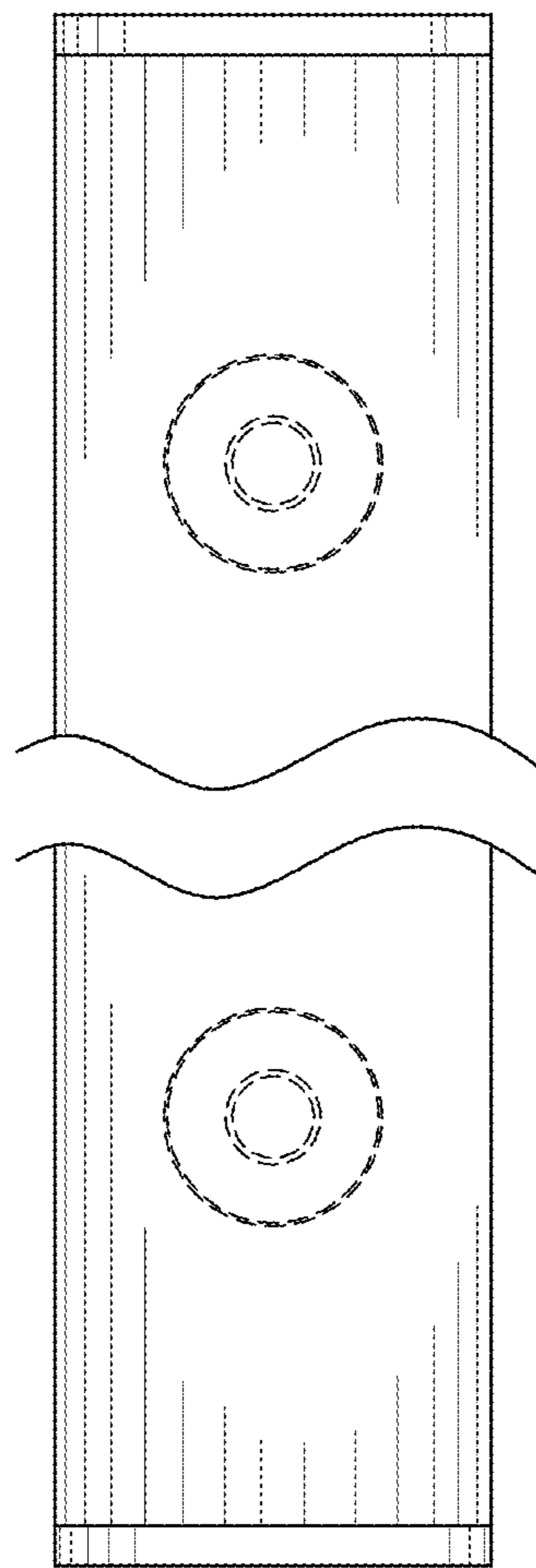


FIG. 10

