



US00D724768S

(12) **United States Design Patent**
Cloutier

(10) **Patent No.:** **US D724,768 S**
(45) **Date of Patent:** **** Mar. 17, 2015**

(54) **DOOR SASH EXTRUSION**

D414,278 S * 9/1999 Dallaire et al. D25/125
6,216,401 B1 * 4/2001 Emek 52/204.5
7,040,062 B2 * 5/2006 Emek 52/204.62

(71) Applicant: **Dallaire Industries Ltd.**, Levis (CA)

* cited by examiner

(72) Inventor: **Regis Cloutier**, Levis (CA)

Primary Examiner — Doris Clark

(73) Assignee: **Dallaire Industries Ltd.**, Levis, Quebec (CA)

(74) *Attorney, Agent, or Firm* — Curtis B. Behmann; Borden Ladner Gervais LLP

(**) Term: **14 Years**

(21) Appl. No.: **29/467,326**

(22) Filed: **Sep. 18, 2013**

(57) **CLAIM**

The ornamental design for door sash extrusion, as shown and described.

(30) **Foreign Application Priority Data**

Aug. 9, 2013 (CA) 152414

(51) **LOC (10) Cl.** **25-01**

(52) **U.S. Cl.**
USPC **D25/125**

(58) **Field of Classification Search**
USPC D25/124, 125; 52/204.1, 204.5, 204.55,
52/656.5, 656.6, 656.7, 209, 204.6, 204.7,
52/204.61, 204.62, 204.69; 49/501, 504,
49/DIG. 2
See application file for complete search history.

DESCRIPTION

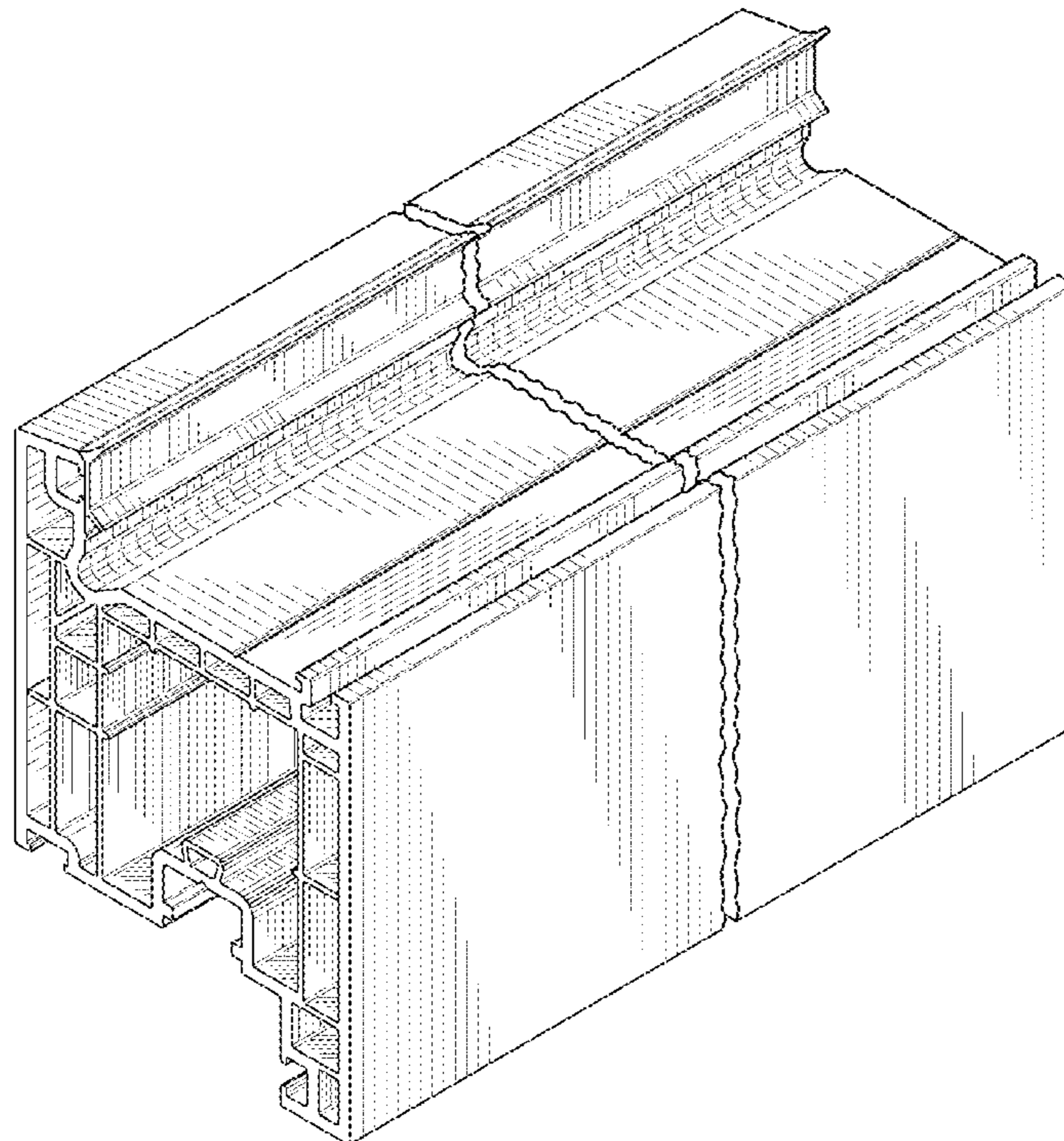
FIG. 1 is a front right perspective view of the door sash extrusion;
FIG. 2 is a bottom rear left perspective view thereof;
FIG. 3 is a front view thereof;
FIG. 4 is a rear view thereof;
FIG. 5 is a right side view thereof;
FIG. 6 is a left side view thereof;
FIG. 7 is a top view thereof; and,
FIG. 8 is a bottom view thereof.

(56) **References Cited**

U.S. PATENT DOCUMENTS

D378,138 S * 2/1997 Dallaire et al. D25/124
D378,430 S * 3/1997 Dallaire et al. D25/125

1 Claim, 6 Drawing Sheets



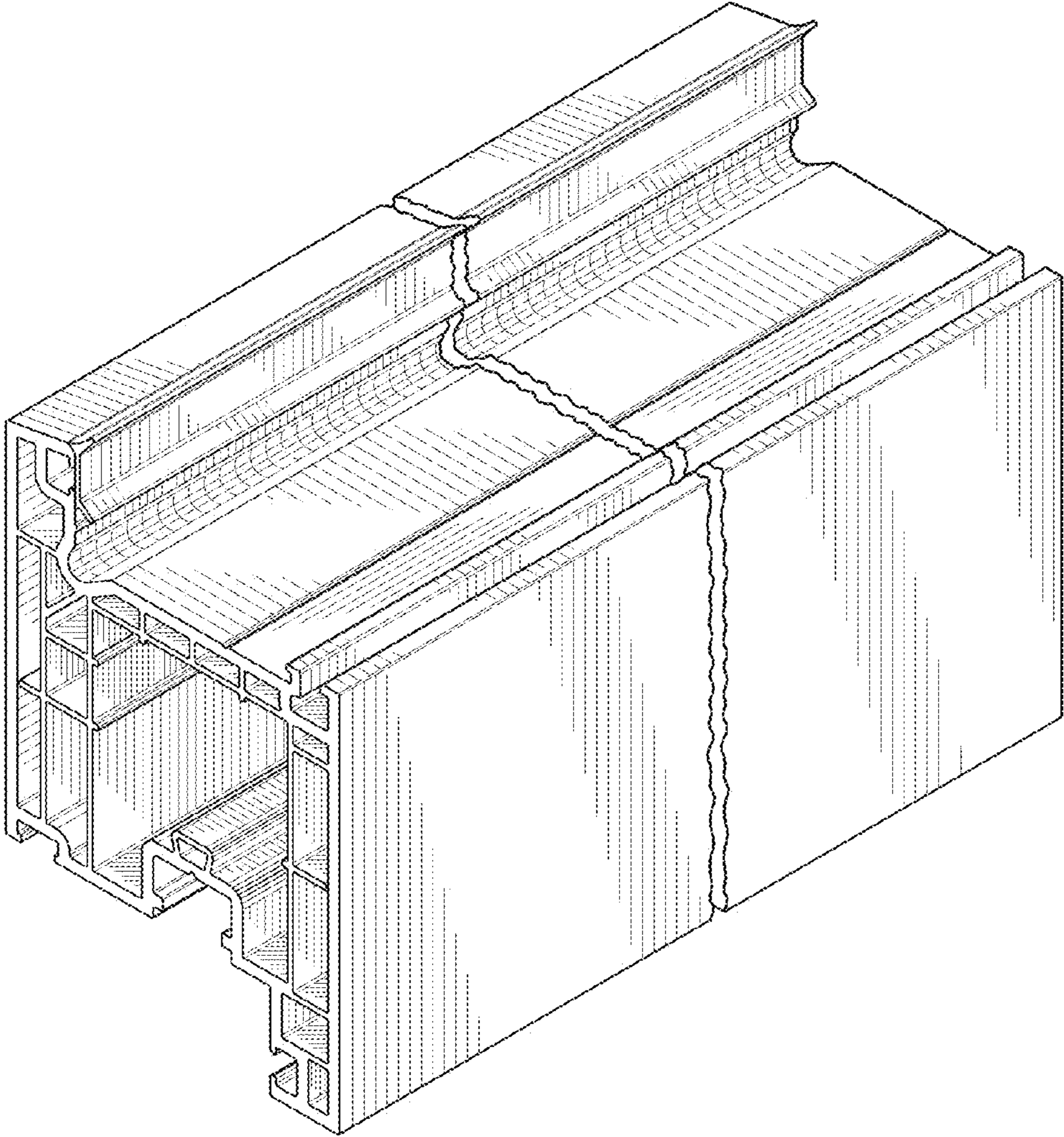


FIG.1

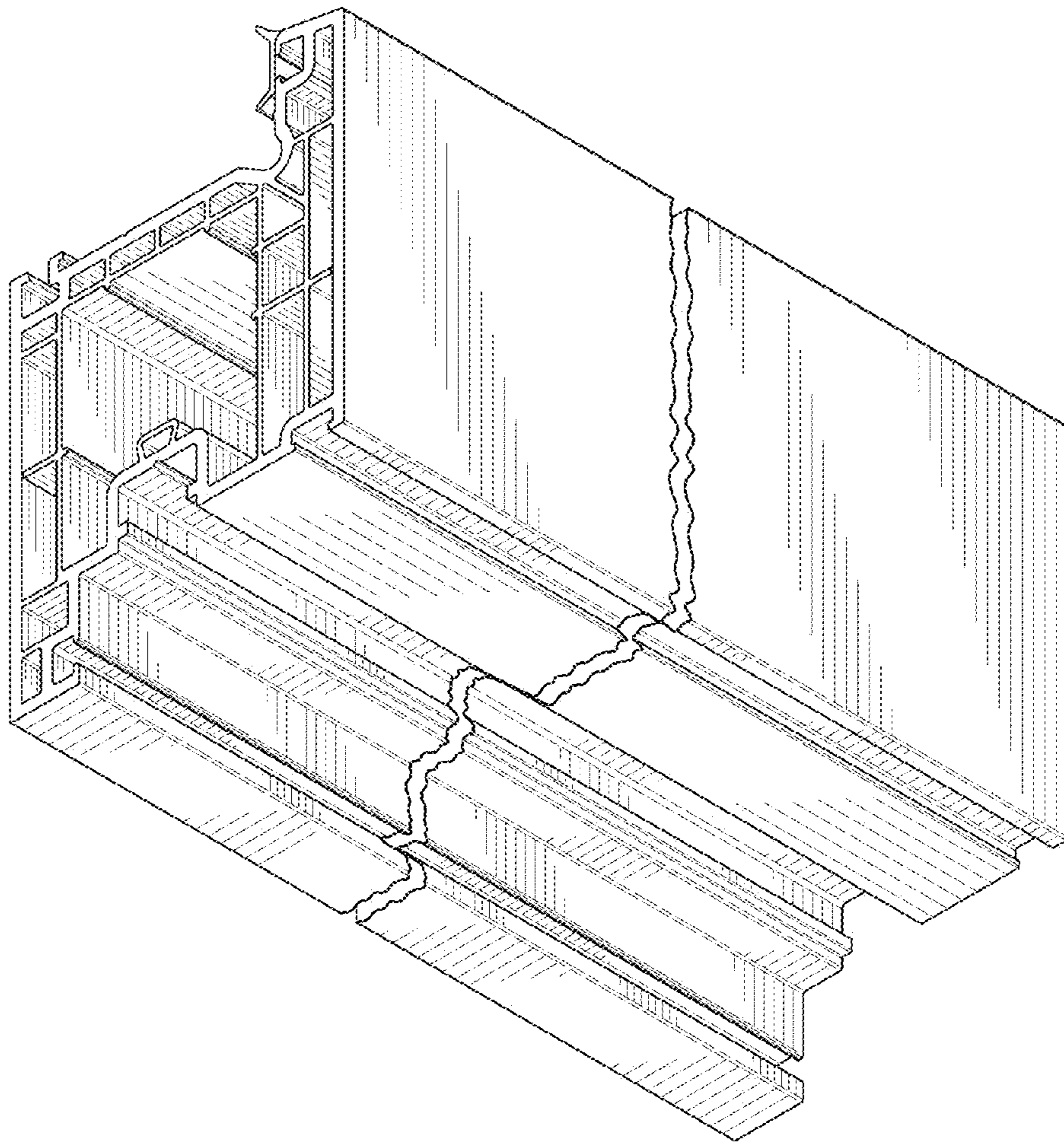


FIG.2

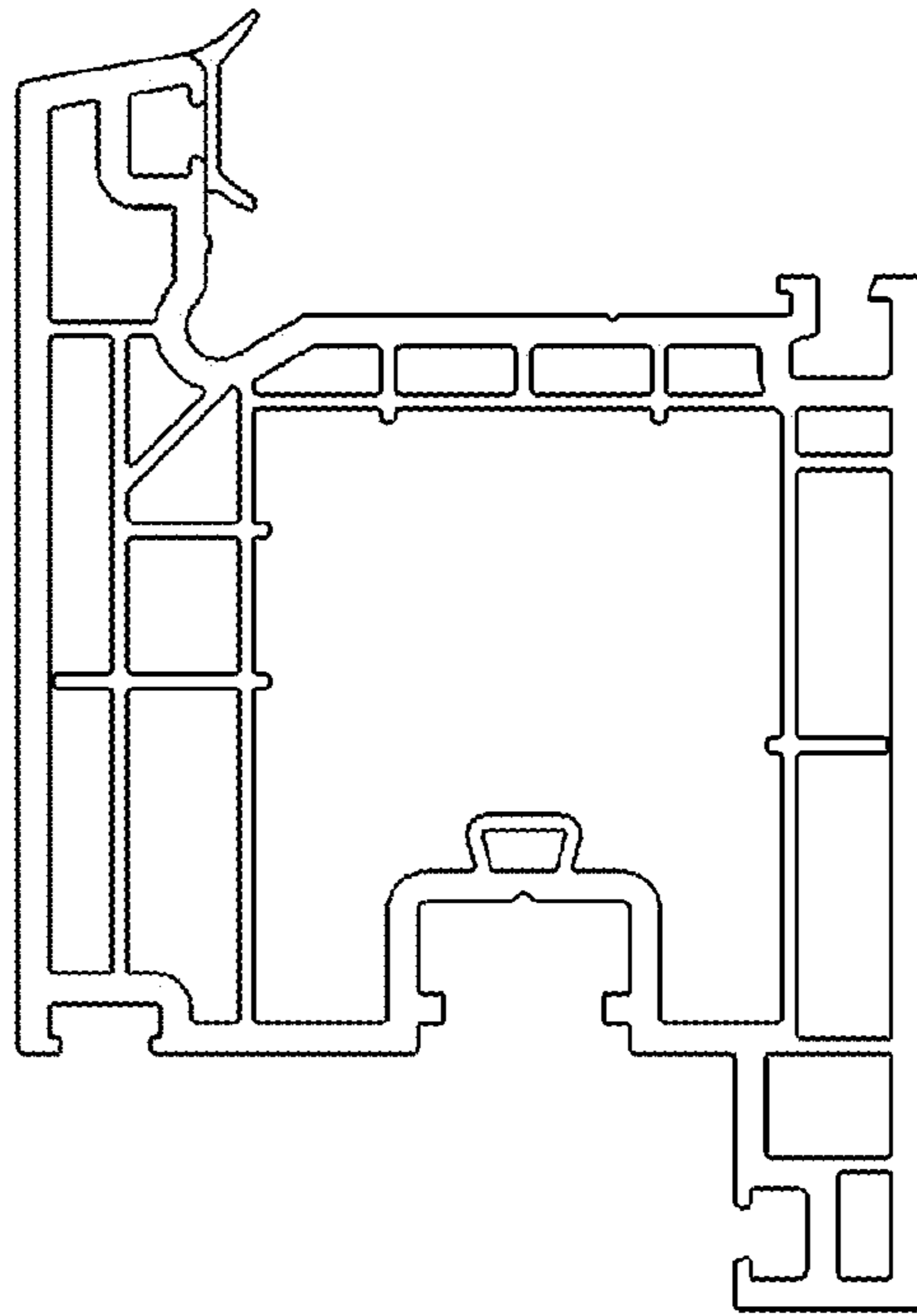


FIG.3

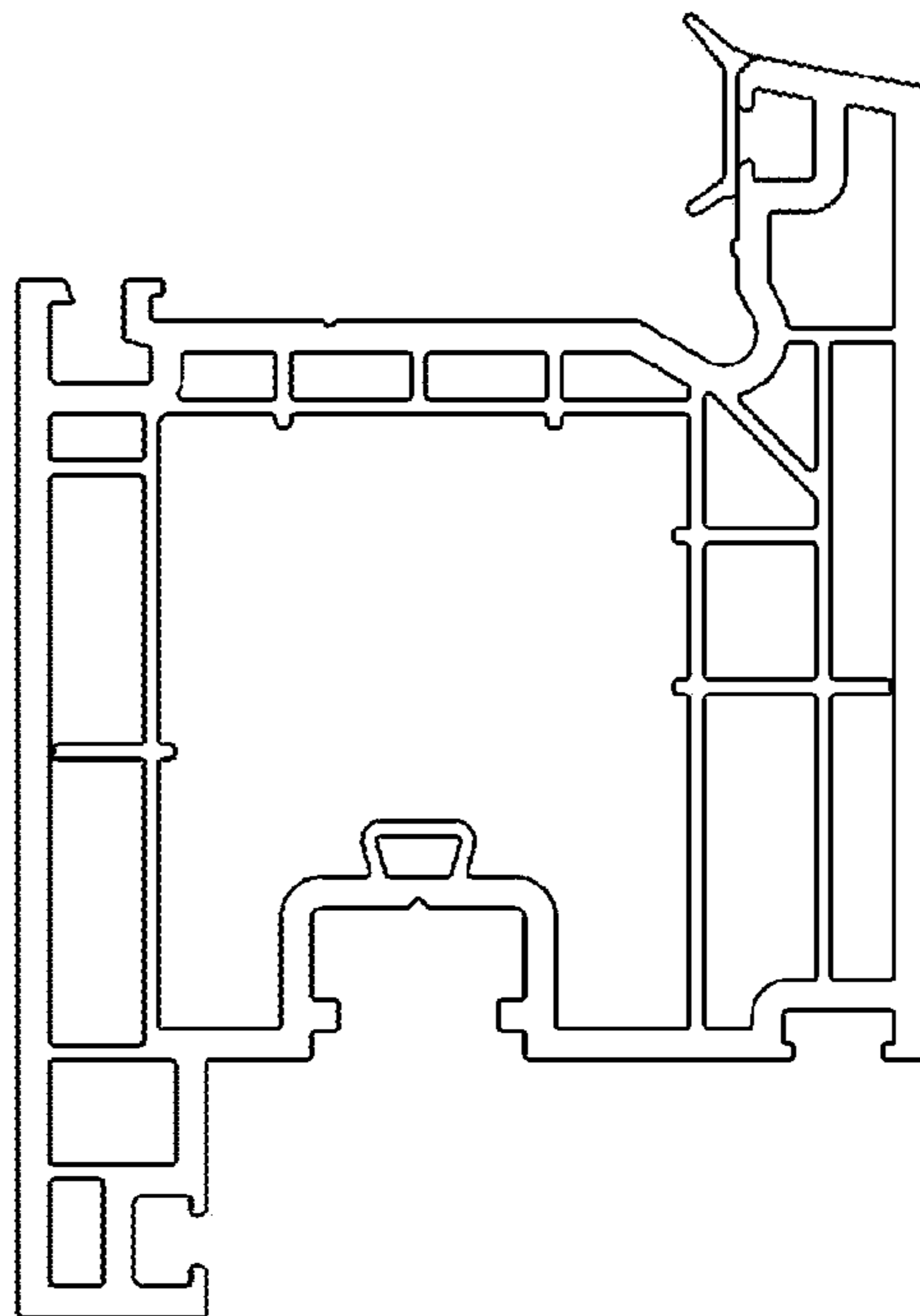


FIG.4

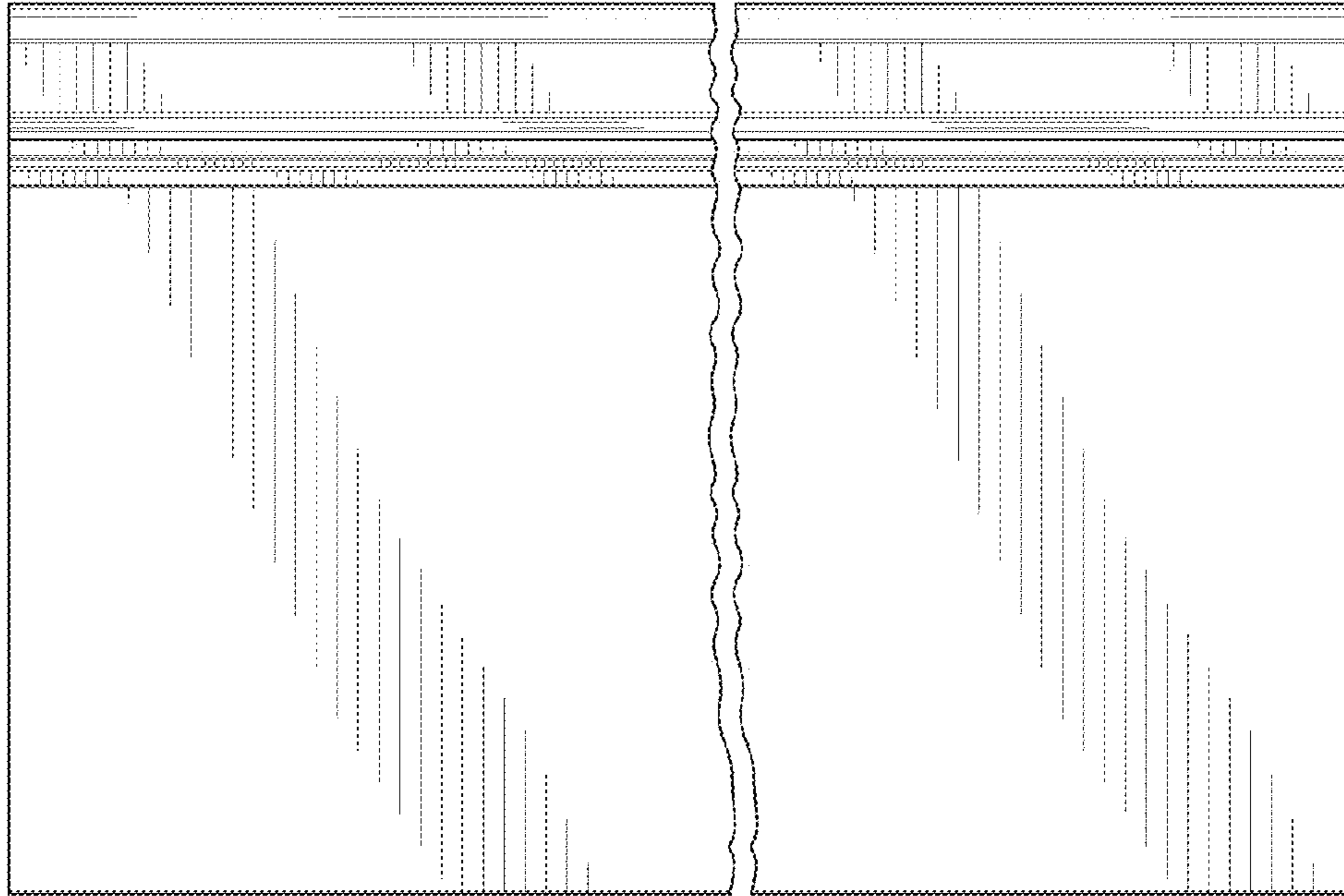


FIG. 5

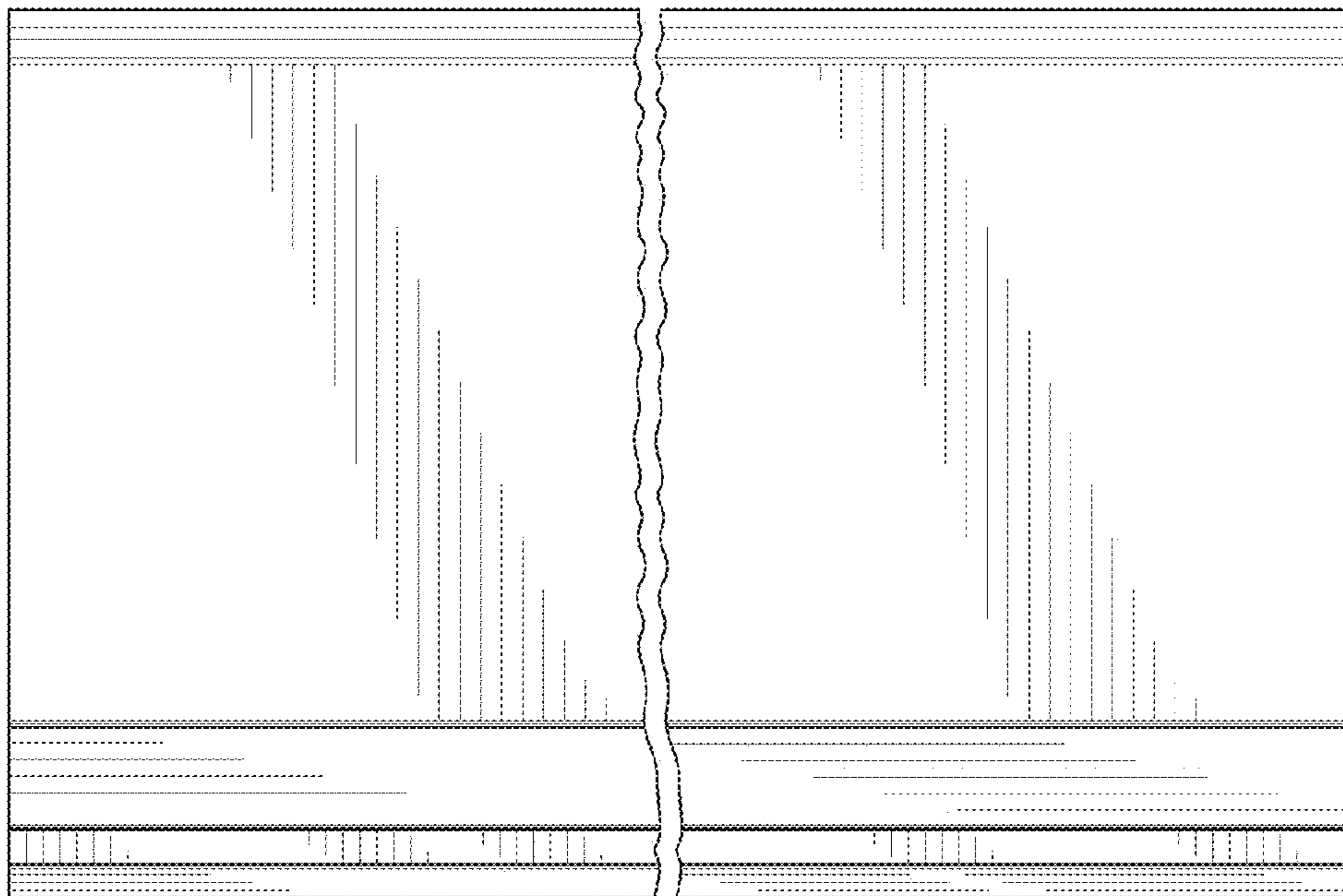


FIG. 6

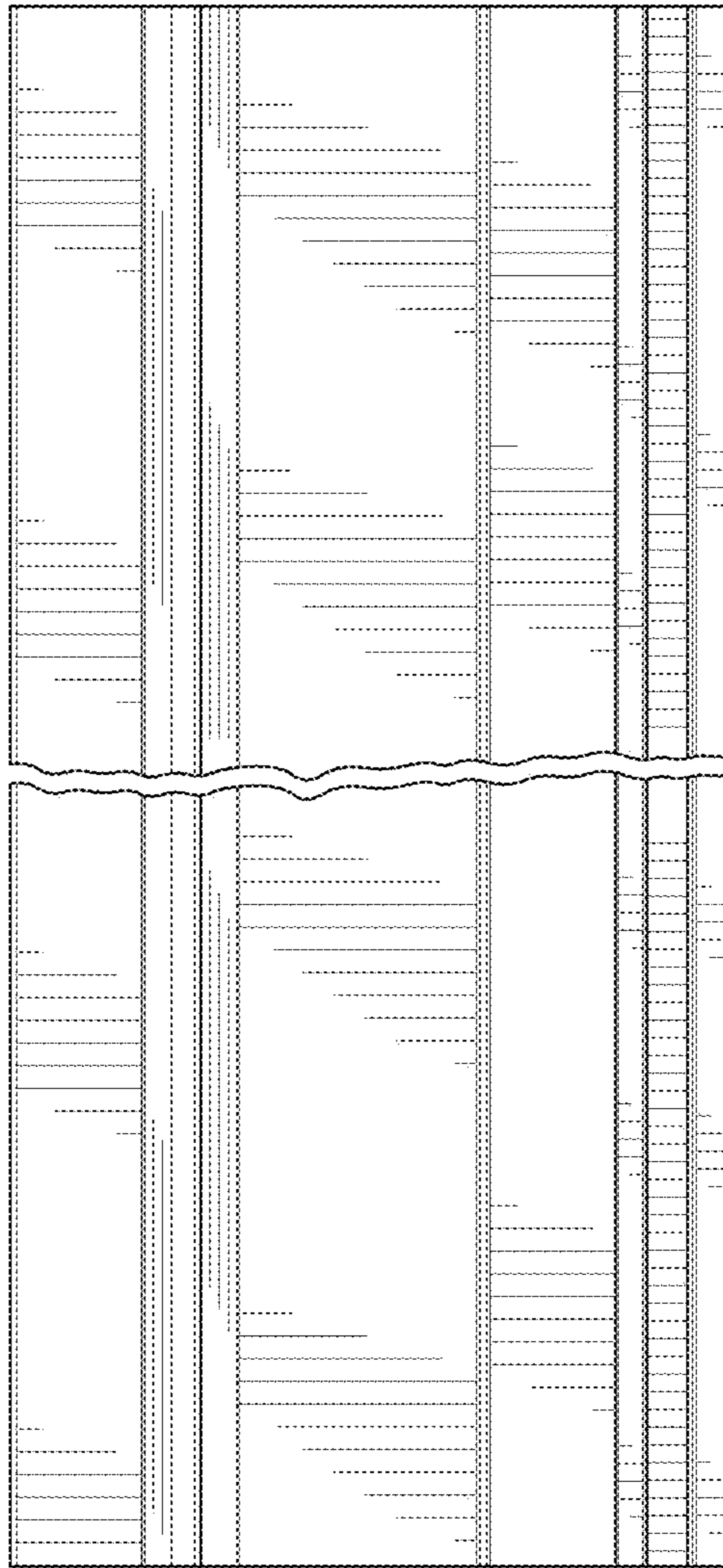


FIG. 7

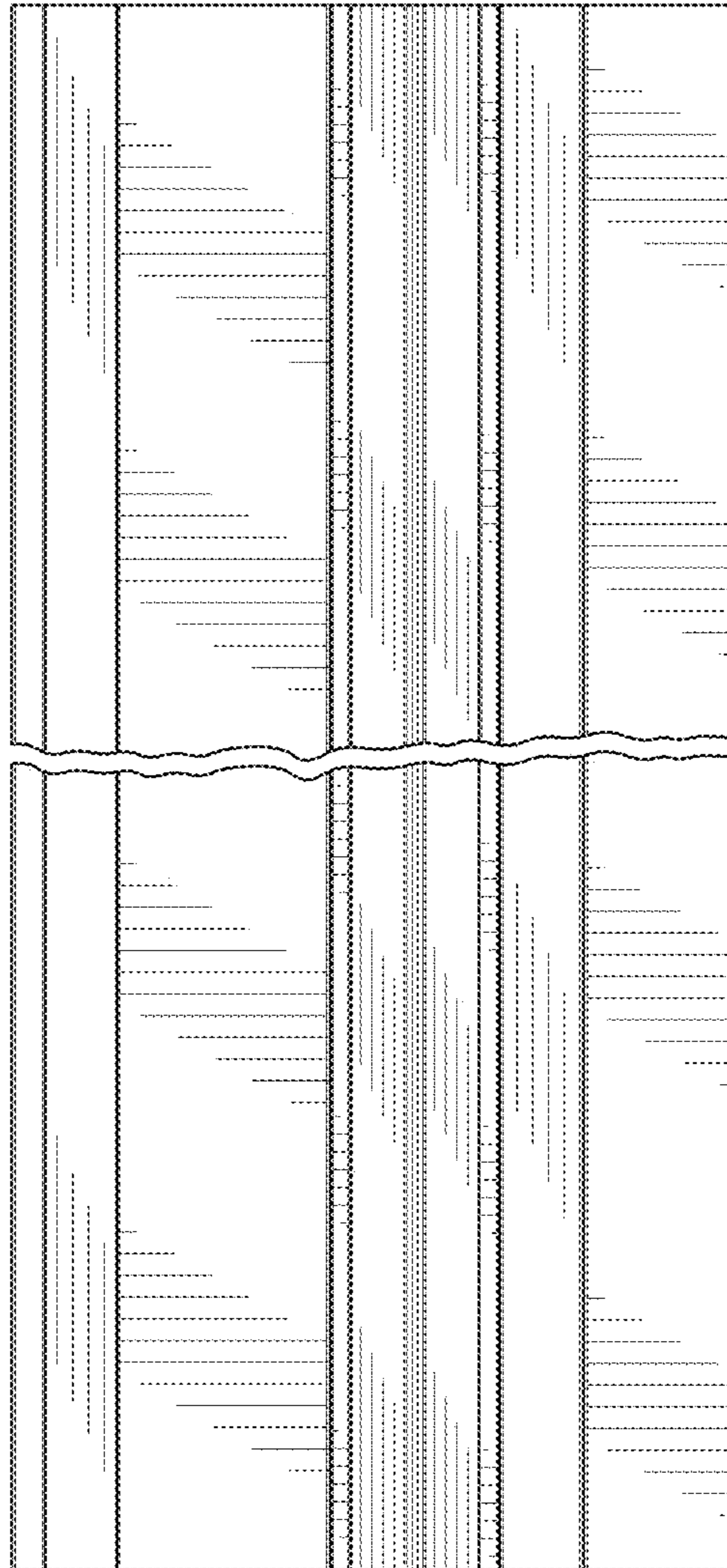


FIG.8