



US00D724767S

(12) **United States Design Patent**  
**Cloutier**

(10) **Patent No.:** **US D724,767 S**  
(45) **Date of Patent:** **\*\* Mar. 17, 2015**

(54) **WINDOW FRAME EXTRUSION**  
(71) Applicant: **Dallaire Industries Ltd., Levis (CA)**  
(72) Inventor: **Regis Cloutier, Levis (CA)**  
(73) Assignee: **Dallaire Industries Ltd., Levis, Quebec (CA)**  
(\*\*) Term: **14 Years**  
(21) Appl. No.: **29/467,324**  
(22) Filed: **Sep. 18, 2013**

D414,278 S \* 9/1999 Dallaire et al. .... D25/125  
6,216,401 B1 \* 4/2001 Emek ..... 52/204.5  
7,040,062 B2 \* 5/2006 Emek ..... 52/204.62

\* cited by examiner

*Primary Examiner* — Doris Clark

(74) *Attorney, Agent, or Firm* — Curtis B. Behmann; Borden  
Ladner Gervais LLP

(30) **Foreign Application Priority Data**

Sep. 8, 2013 (CA) ..... 152405

(51) **LOC (10) Cl.** ..... **25-01**

(52) **U.S. Cl.**  
USPC ..... **D25/125**

(58) **Field of Classification Search**  
USPC ..... D25/124, 125; 52/204.1, 204.5, 204.55,  
52/656.5, 656.6, 656.7, 209, 204.6, 204.7,  
52/204.61, 204.62, 204.69; 49/501, 504,  
49/DIG. 2  
See application file for complete search history.

(56) **References Cited**

**U.S. PATENT DOCUMENTS**

D378,138 S \* 2/1997 Dallaire et al. .... D25/124  
D378,430 S \* 3/1997 Dallaire et al. .... D25/125

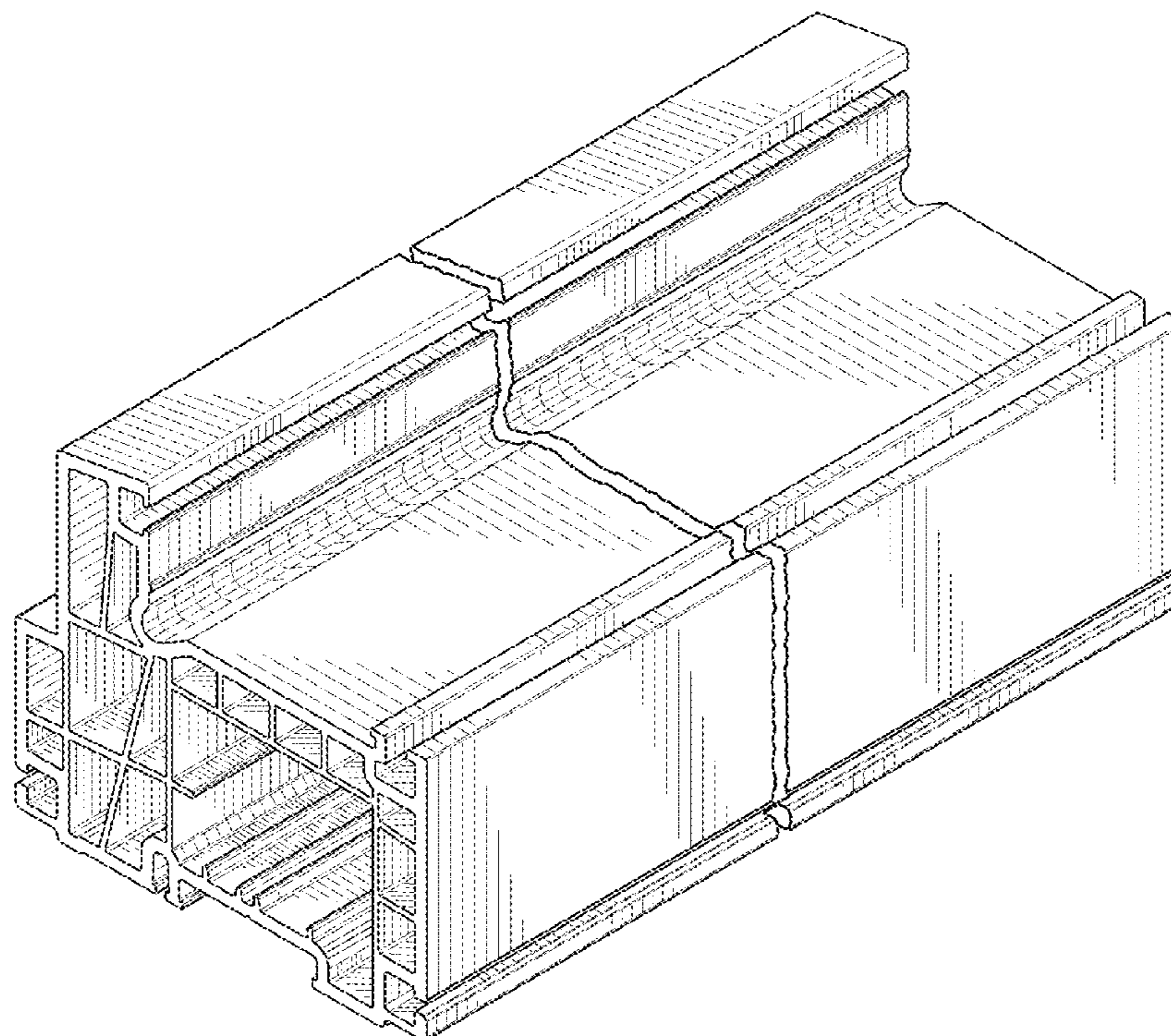
(57) **CLAIM**

The ornamental design for window frame extrusion, as shown and described.

**DESCRIPTION**

FIG. 1 is a front right perspective view of the window frame extrusion;  
FIG. 2 is a bottom rear left perspective view thereof;  
FIG. 3 is a front view thereof;  
FIG. 4 is a rear view thereof;  
FIG. 5 is a right side view thereof;  
FIG. 6 is a left side view thereof;  
FIG. 7 is a top view thereof; and,  
FIG. 8 is a bottom view thereof.

**1 Claim, 6 Drawing Sheets**



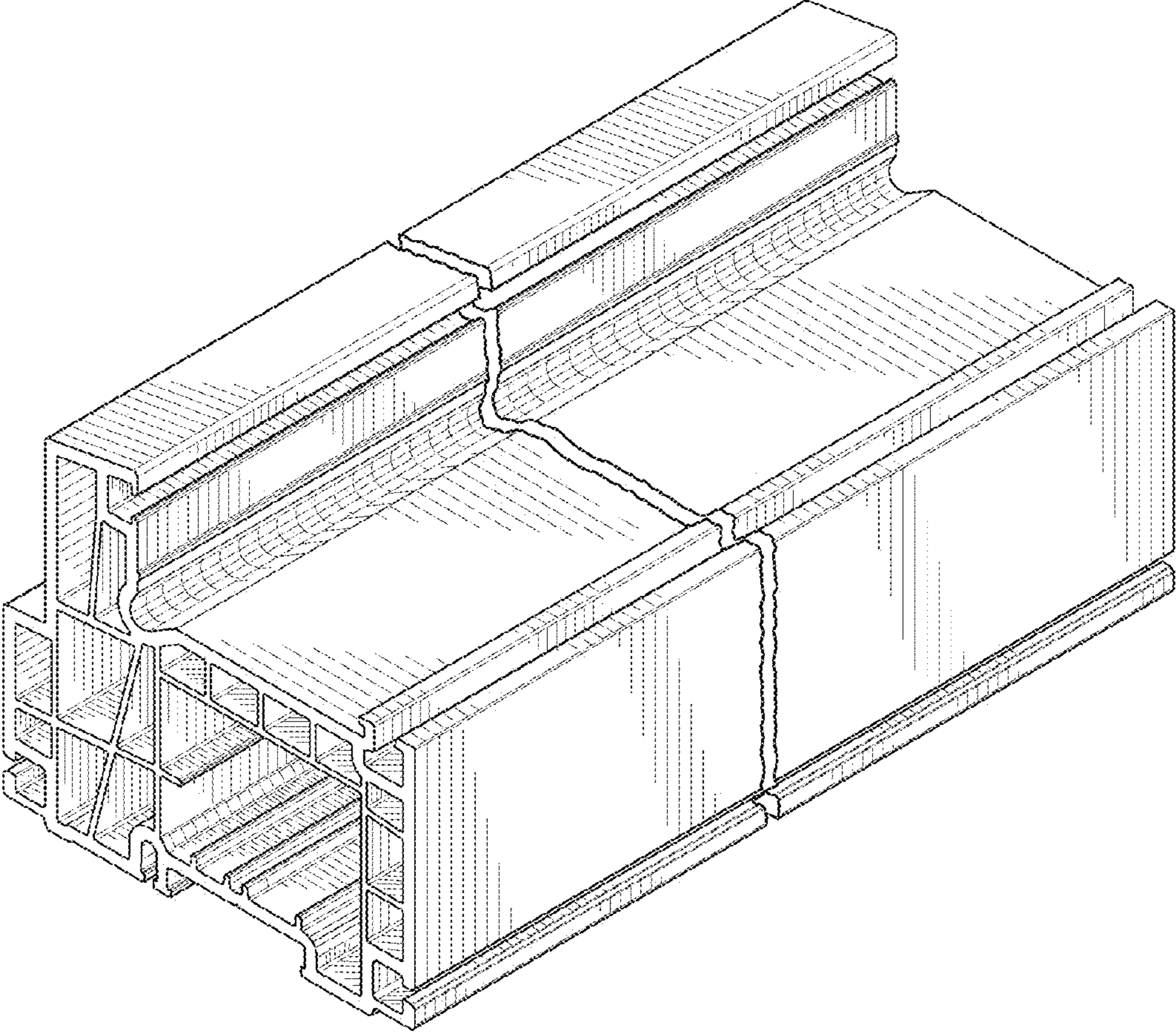


FIG.1

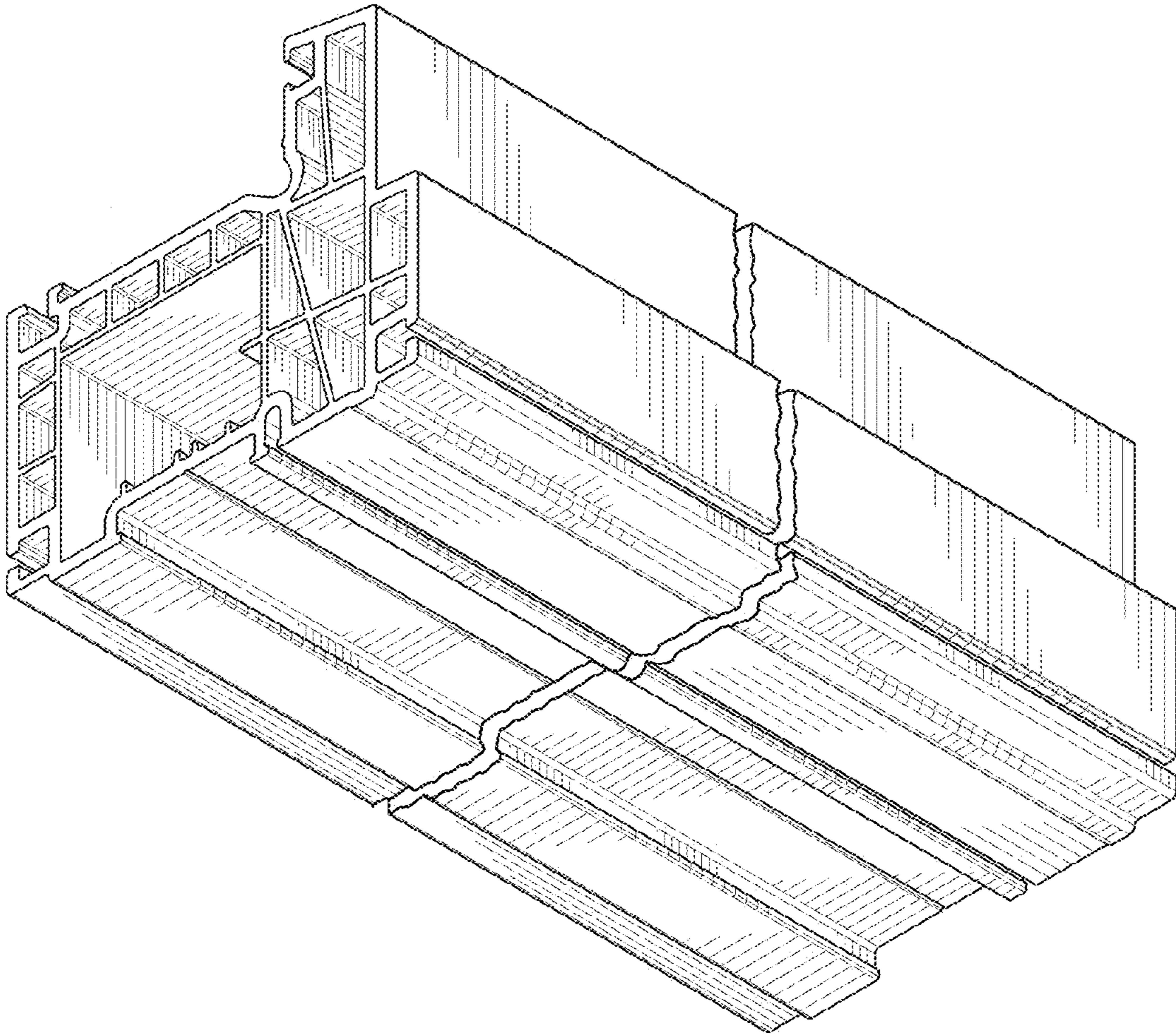


FIG.2

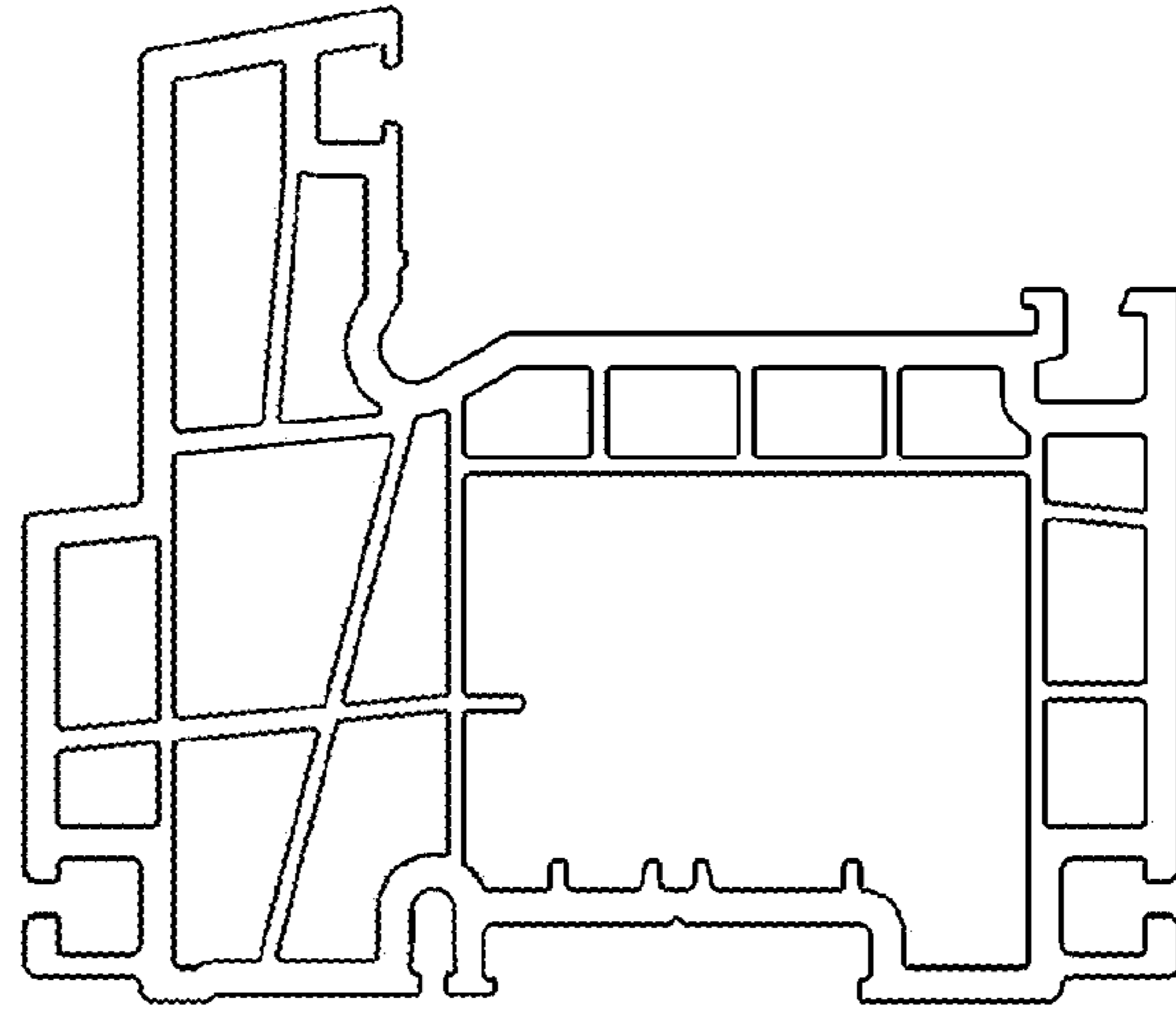


FIG. 3

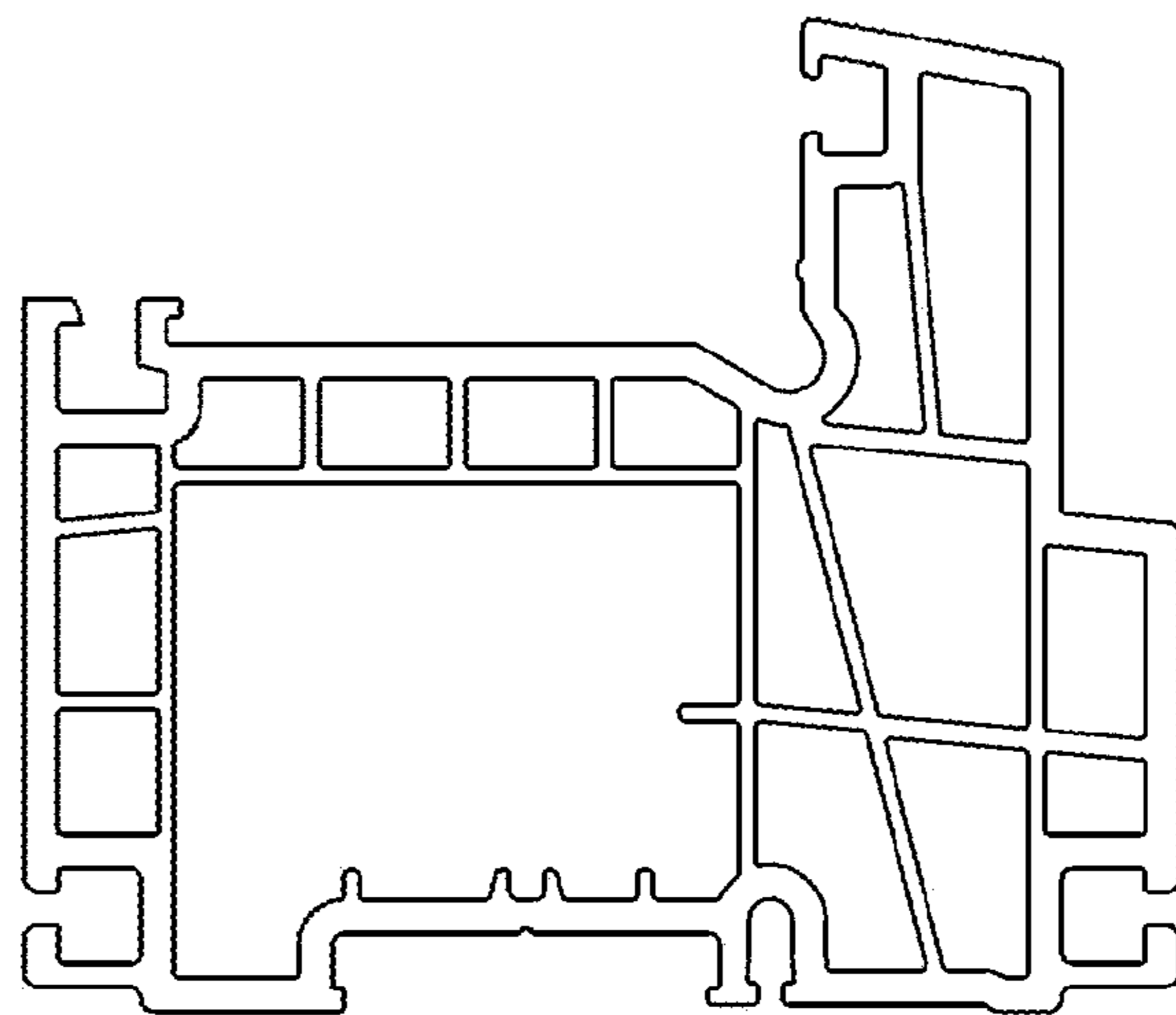


FIG. 4

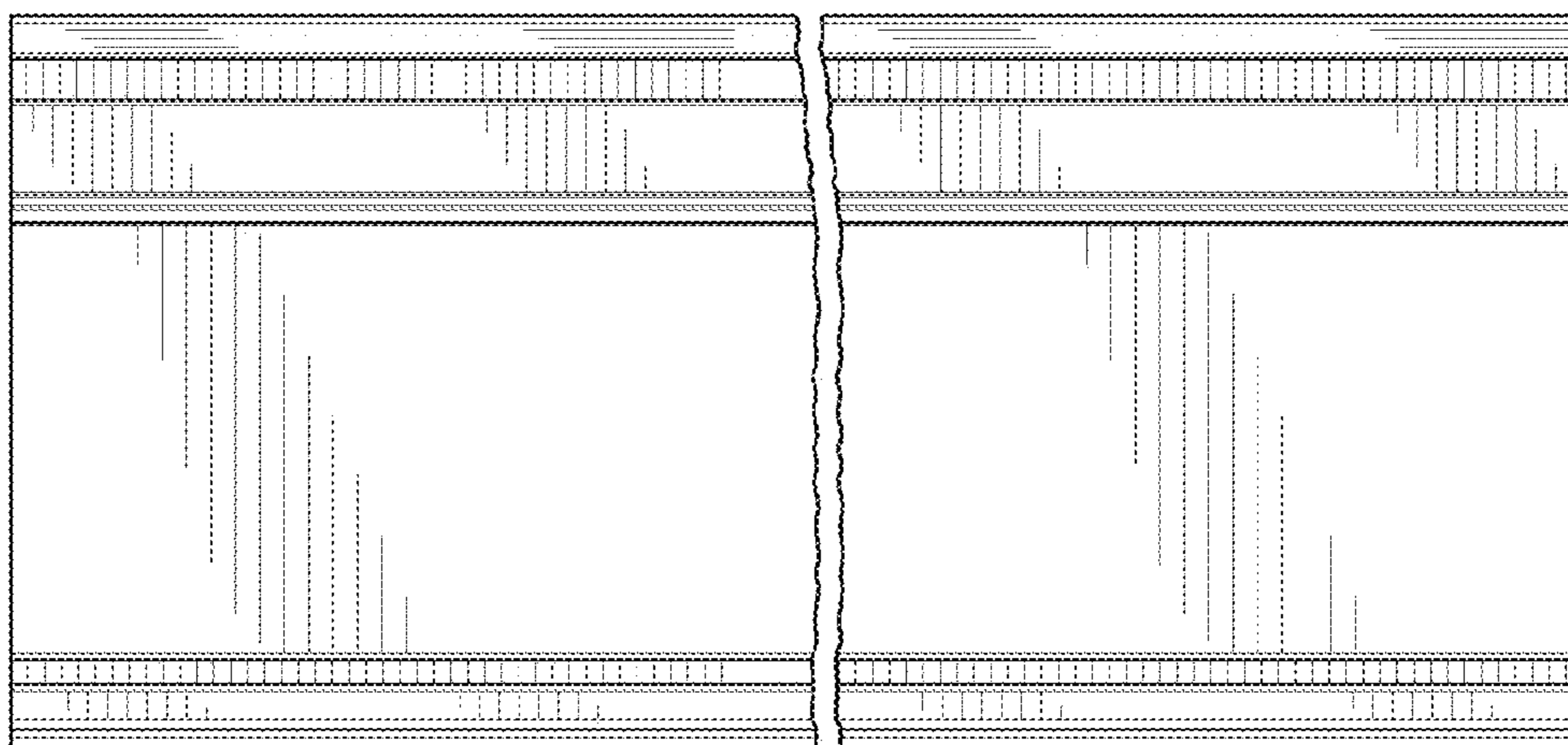


FIG. 5

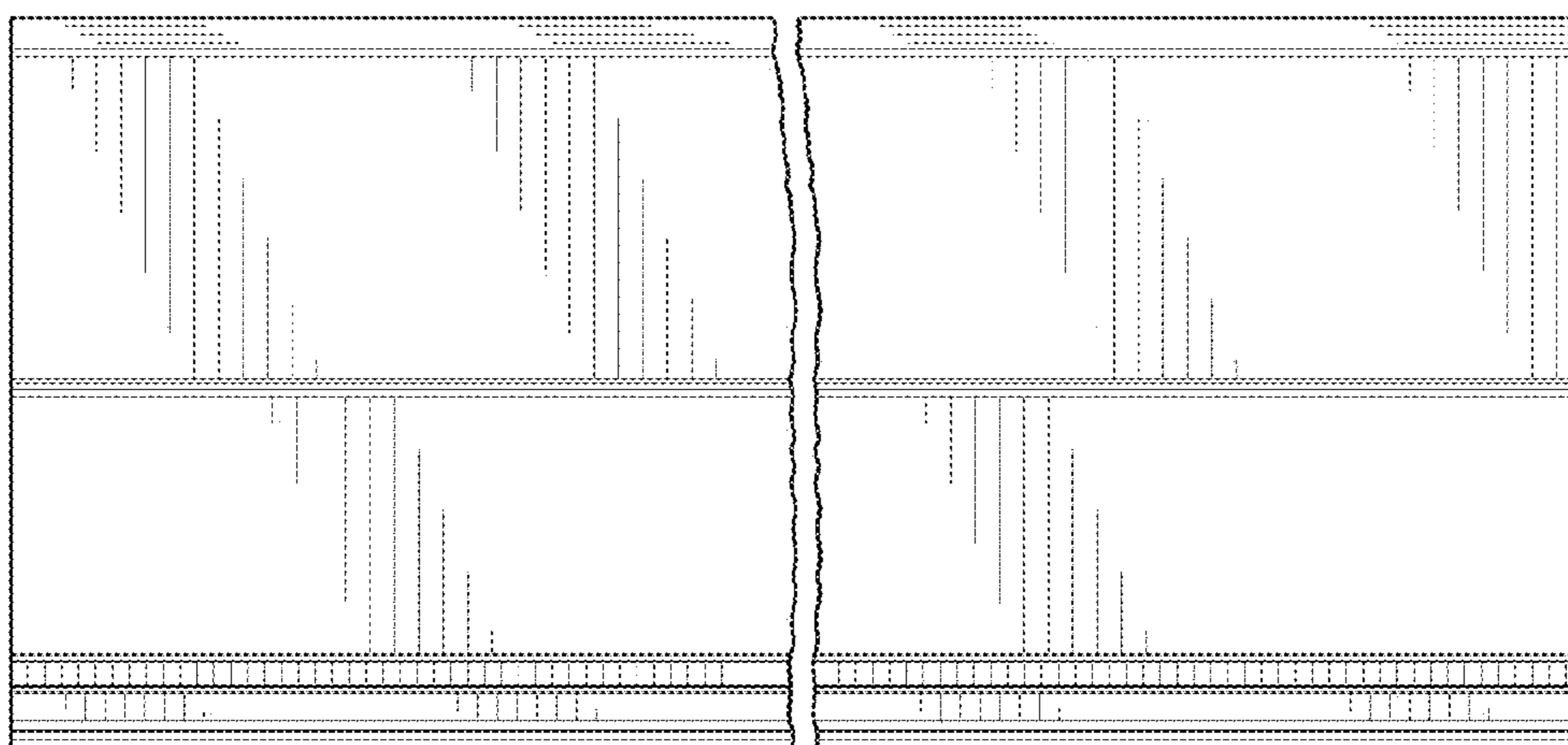


FIG. 6

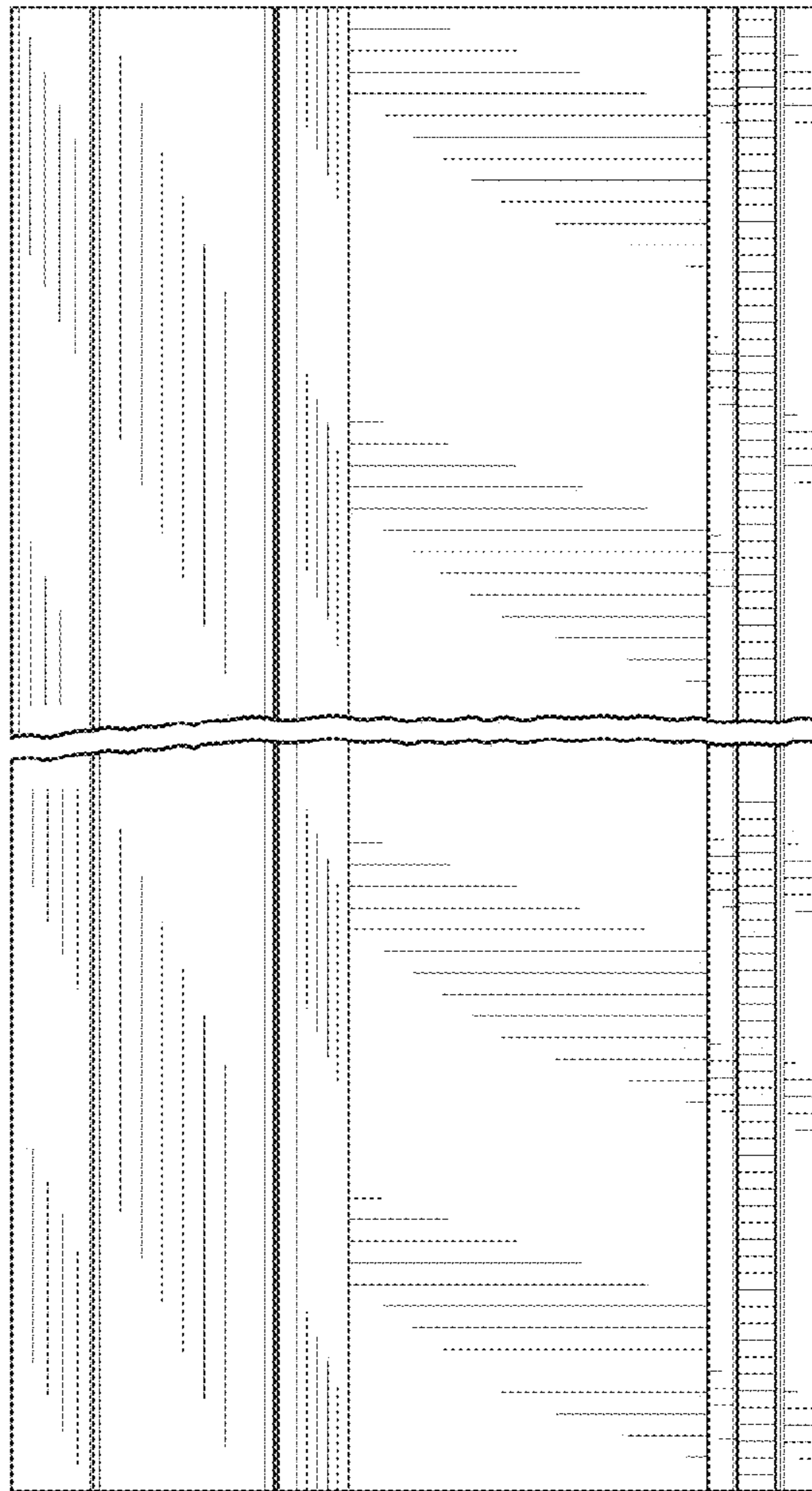


FIG. 7

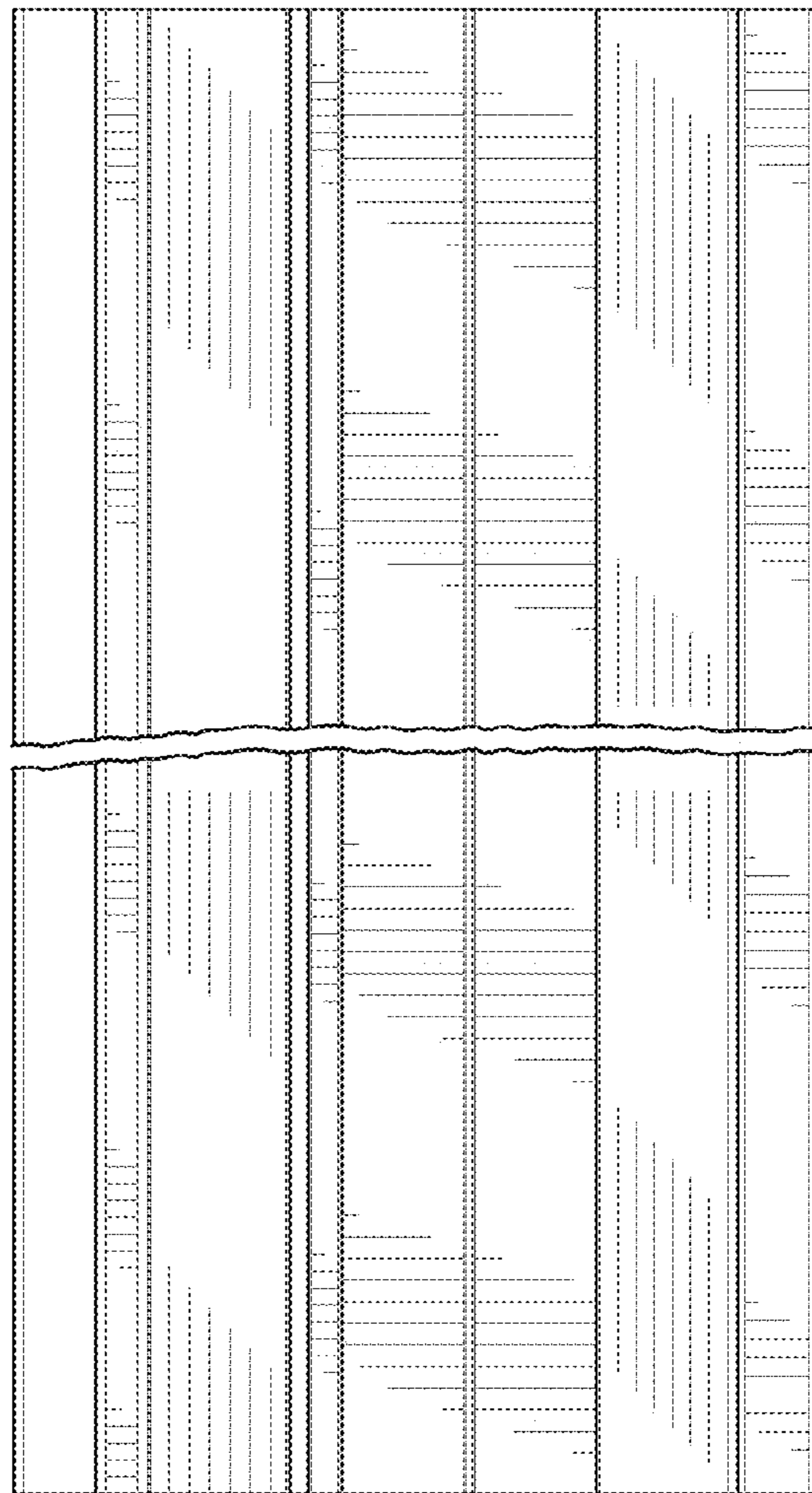


FIG. 8