



US00D724759S

(12) **United States Design Patent**  
**Tucker**

(10) **Patent No.:** **US D724,759 S**  
(45) **Date of Patent:** **\*\* Mar. 17, 2015**

(54) **PREFABRICATED MODULAR FENCING UNIT WITH INTERIOR BALUSTERS IN SPATIAL JUXTAPOSITION**

6,526,706 B1 \* 3/2003 Fowler ..... 52/182  
6,763,912 B2 \* 7/2004 Robinson et al. .... 182/115  
D502,550 S \* 3/2005 Walker ..... D25/38.1  
2009/0108246 A1 \* 4/2009 Bonham ..... 256/73

(71) Applicant: **C.M. Tucker Lumber Companies, LLC**, Pageland, SC (US)

\* cited by examiner

(72) Inventor: **Andrew Millon Tucker**, Charlotte, NC (US)

*Primary Examiner* — Doris Clark

(73) Assignee: **C.M. Tucker Lumber Companies, LLC**, Pageland, SC (US)

(74) *Attorney, Agent, or Firm* — Timothy D. St. Clair; Amy Allen Hinson; Nexsen Pruet, LLC

(\*\*) Term: **14 Years**

(57) **CLAIM**

(21) Appl. No.: **29/457,957**

I claim the ornamental design for a prefabricated modular fencing unit with interior balusters in spatial juxtaposition, as shown and described.

(22) Filed: **Jun. 14, 2013**

(51) **LOC (10) Cl.** ..... **25-02**

(52) **U.S. Cl.**  
USPC ..... **D25/38.1**

(58) **Field of Classification Search**  
USPC ..... D25/38.1, 39, 44, 43, 42; 256/19, 20, 256/21, 24, 73, 65.01, 59, 22; 52/191, 181, 52/182

See application file for complete search history.

**DESCRIPTION**

FIG. 1 is a front and side perspective view of the prefabricated modular fencing unit with interior balusters in spatial juxtaposition of the present invention;

FIG. 2 is a front and rear elevation view of FIG. 1;

FIG. 3 is a side elevation view of FIG. 1;

FIG. 4 is a top and bottom plan view of FIG. 1; and,

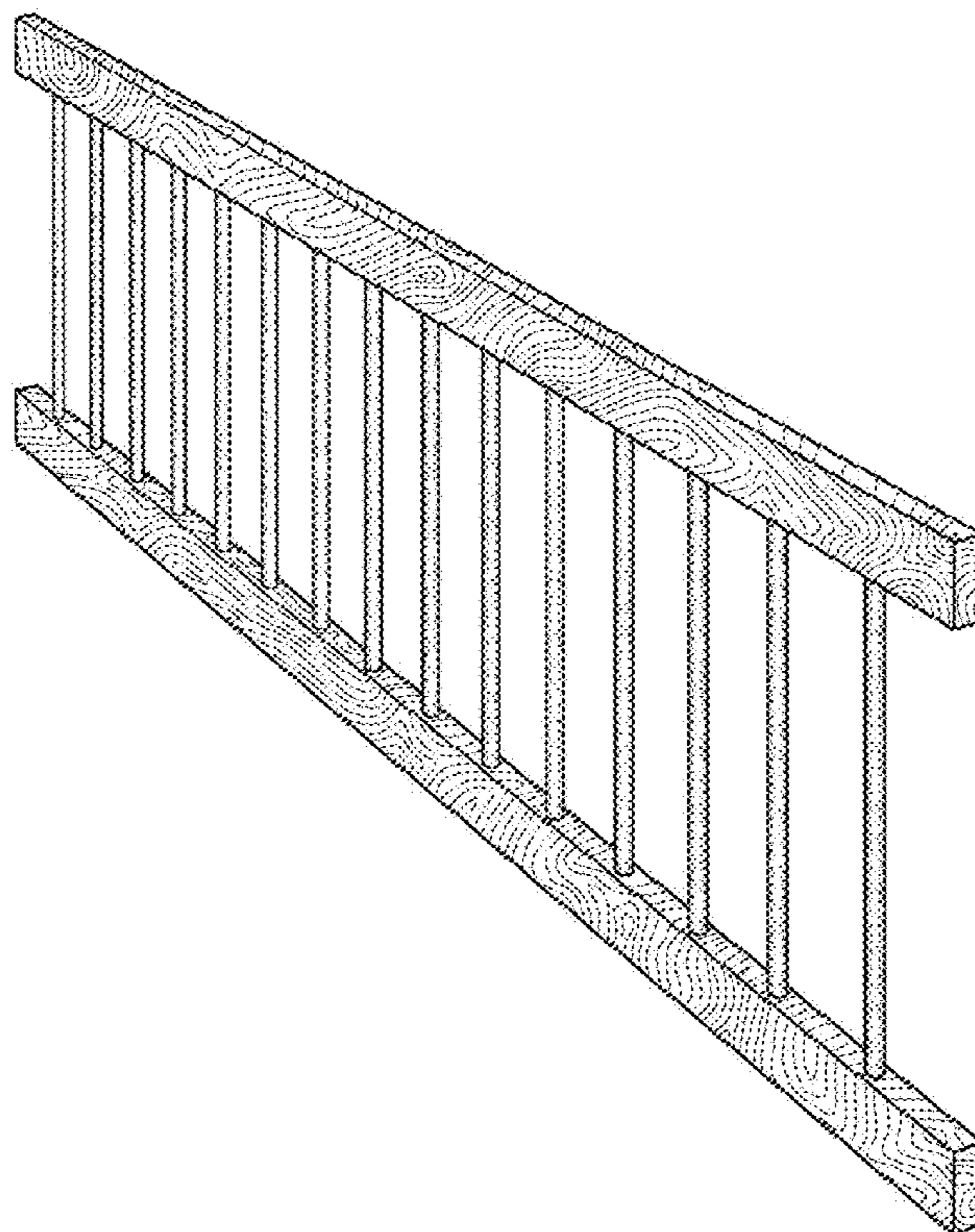
FIG. 5 is a top cross sectional view at 5-5 of FIG. 3.

(56) **References Cited**

**U.S. PATENT DOCUMENTS**

3,463,456 A \* 8/1969 Walker ..... 256/22  
D462,452 S \* 9/2002 Miranda ..... D25/38.1

**1 Claim, 2 Drawing Sheets**



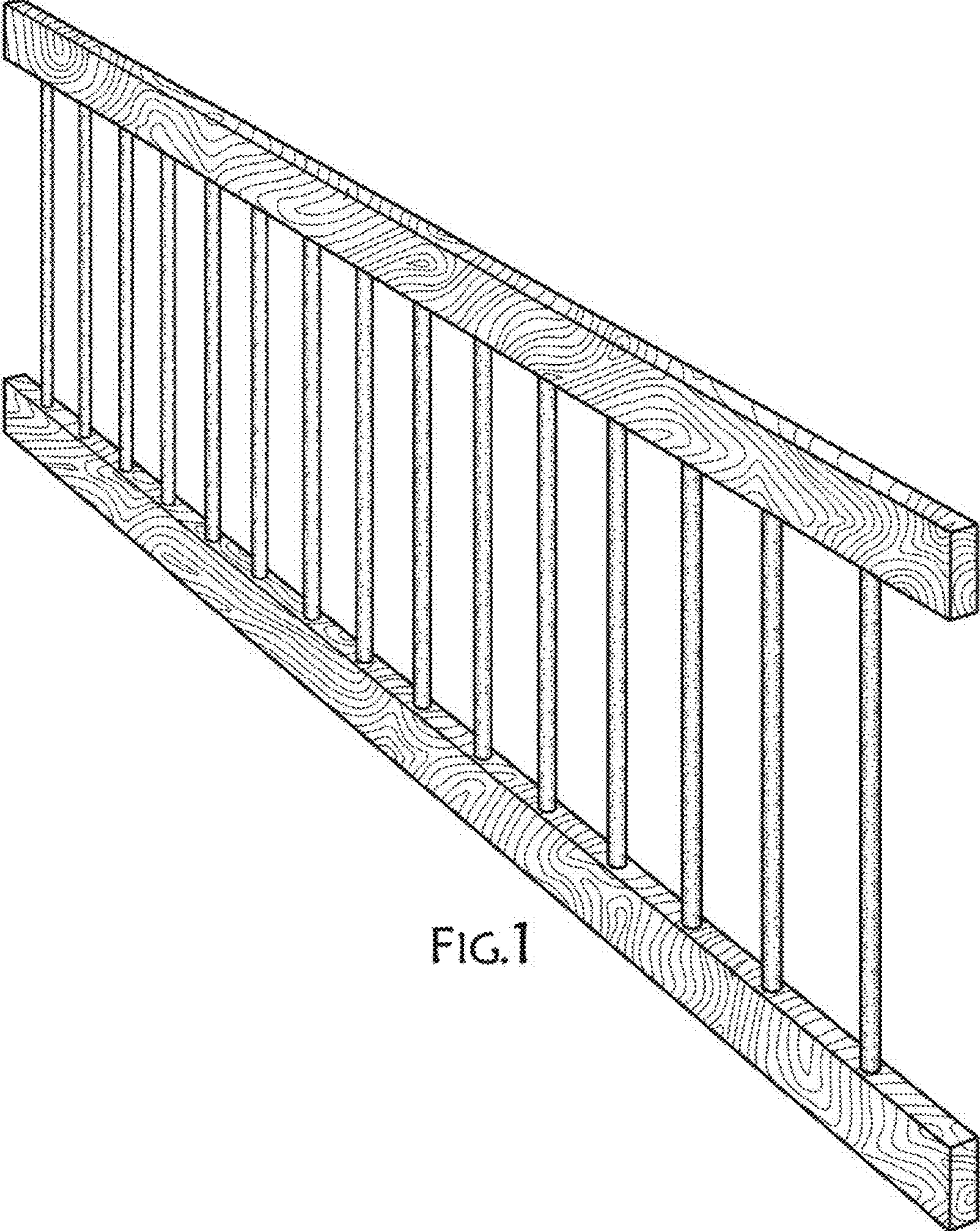
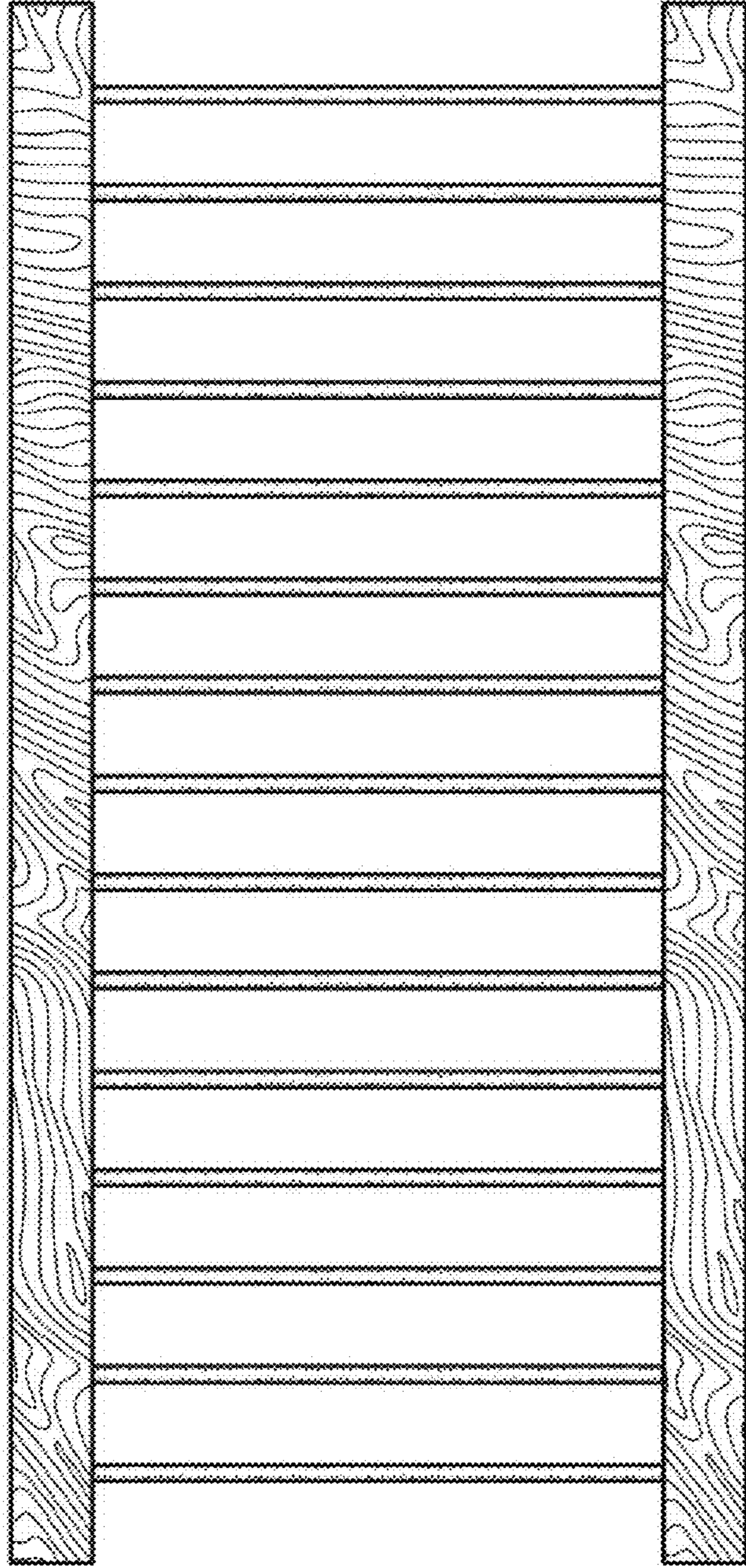


FIG. 1



FIG.2



5 5

FIG.3



FIG.4



FIG.5

